

[54] **COMBINED FOOD CONTAINER AND SERVER**

[75] **Inventor: Jerrilyn C. Kiyokane, Seal Beach, Calif.**

[73] **Assignee: Namkung Promotions, Inc., Costa Mesa, Calif.**

[\*\*] **Term: 14 Years**

[21] **Appl. No.: 182,064**

[22] **Filed: Apr. 14, 1988**

[52] **U.S. Cl. .... D7/539; D7/540; D7/629; D21/28**

[58] **Field of Search ..... D7/539, 540, 538, 542, D7/545, 629; D9/307; D21/28; D27/120, 117**

[56] **References Cited**

**U.S. PATENT DOCUMENTS**

D. 219,674 1/1971 Daenen ..... D7/545

D. 229,916 1/1974 Schneider ..... D7/542  
1,527,480 2/1925 Hooper ..... D21/28 X  
4,304,106 12/1981 Donnelly ..... D7/542 X  
4,505,252 3/1985 Wada et al. .... D7/540 X

*Primary Examiner*—Winifred E. Herrmann  
*Attorney, Agent, or Firm*—James E. Brunton

[57] **CLAIM**

The ornamental design for a combined food container and server, as shown and described.

**DESCRIPTION**

FIG. 1 is a top, front perspective view of a combined food container and server showing my new design; FIG. 2 is a right-front side elevational view with the left-front side being a mirror image thereof; FIG. 3 is a right-rear side elevational view with the left-rear side being a mirror image; FIG. 4 is a top plan view; and FIG. 5 is a bottom plan view thereof.

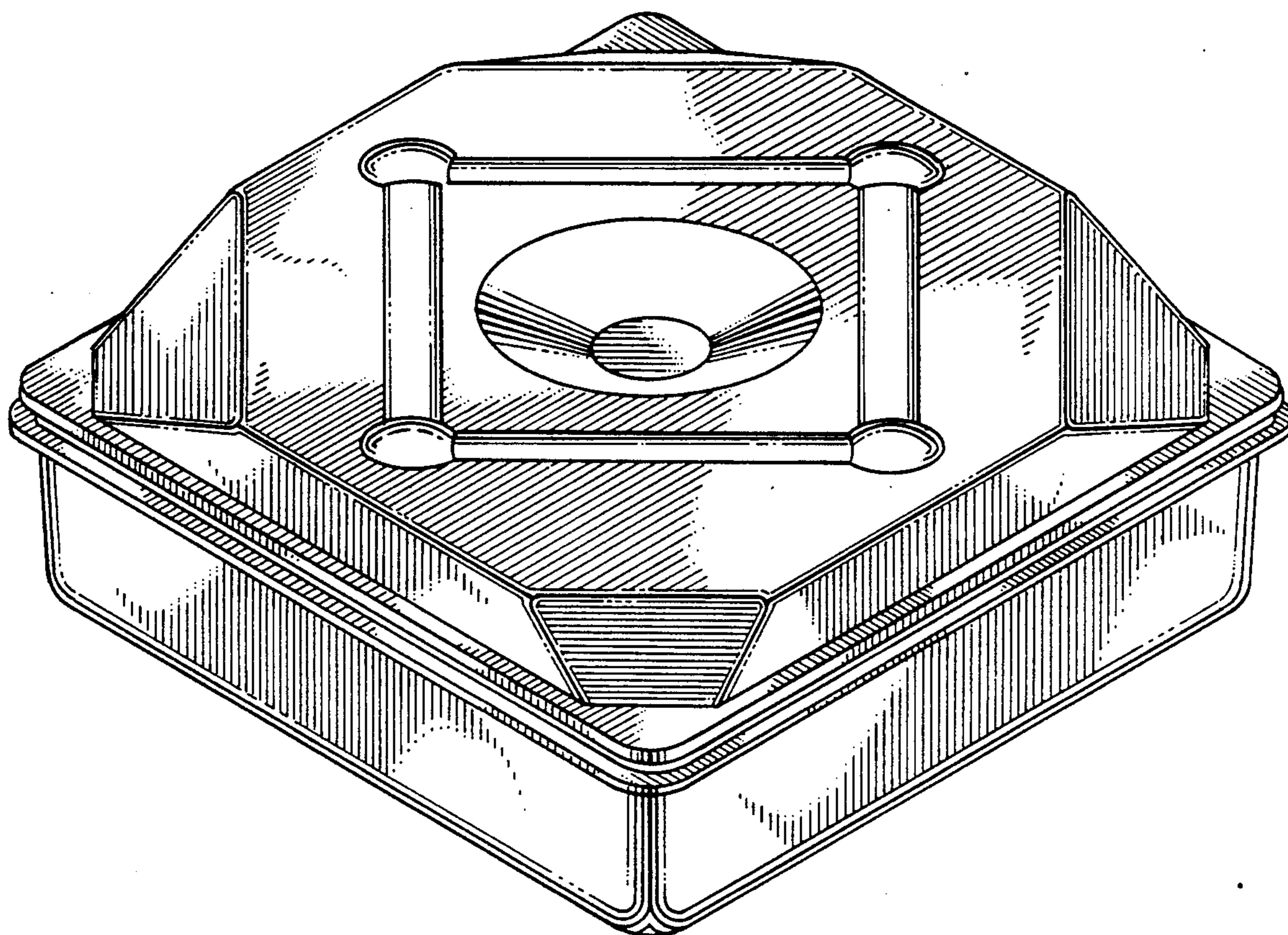


FIG. 1

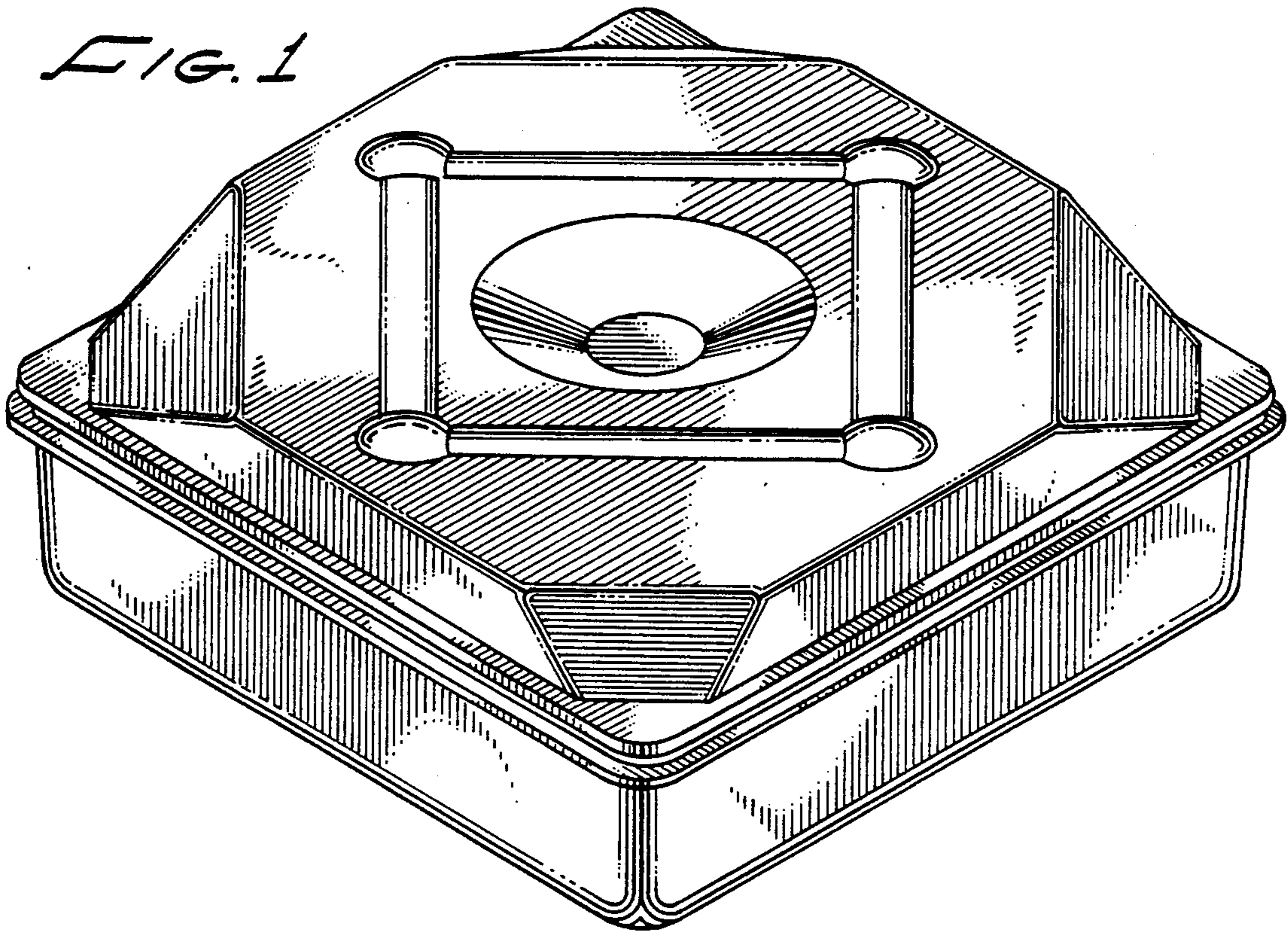


FIG. 2

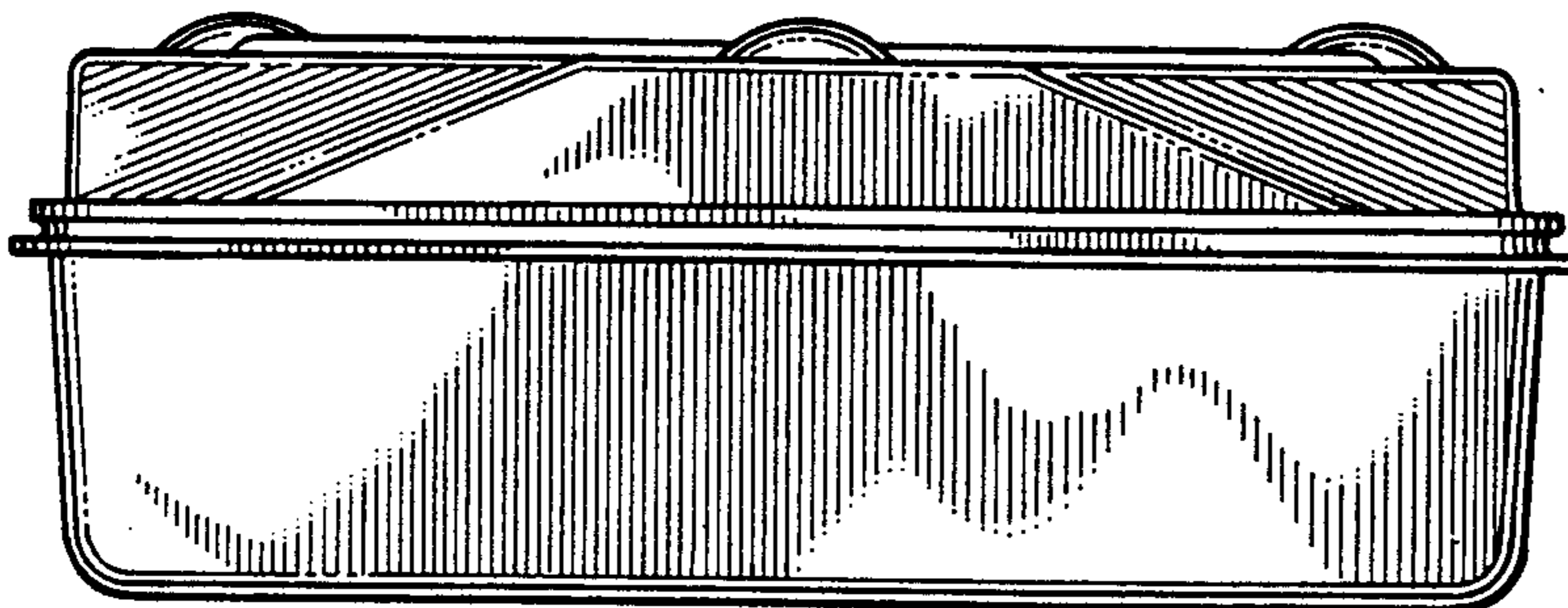
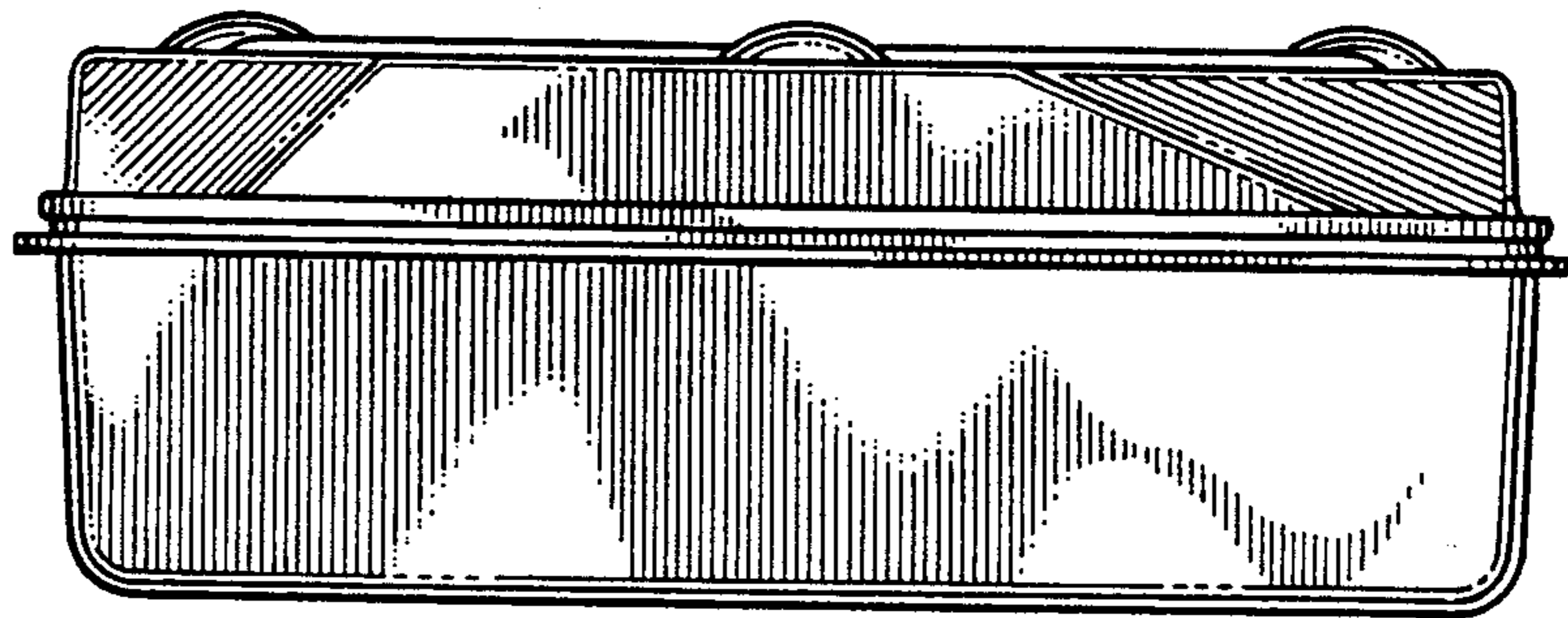


FIG. 3

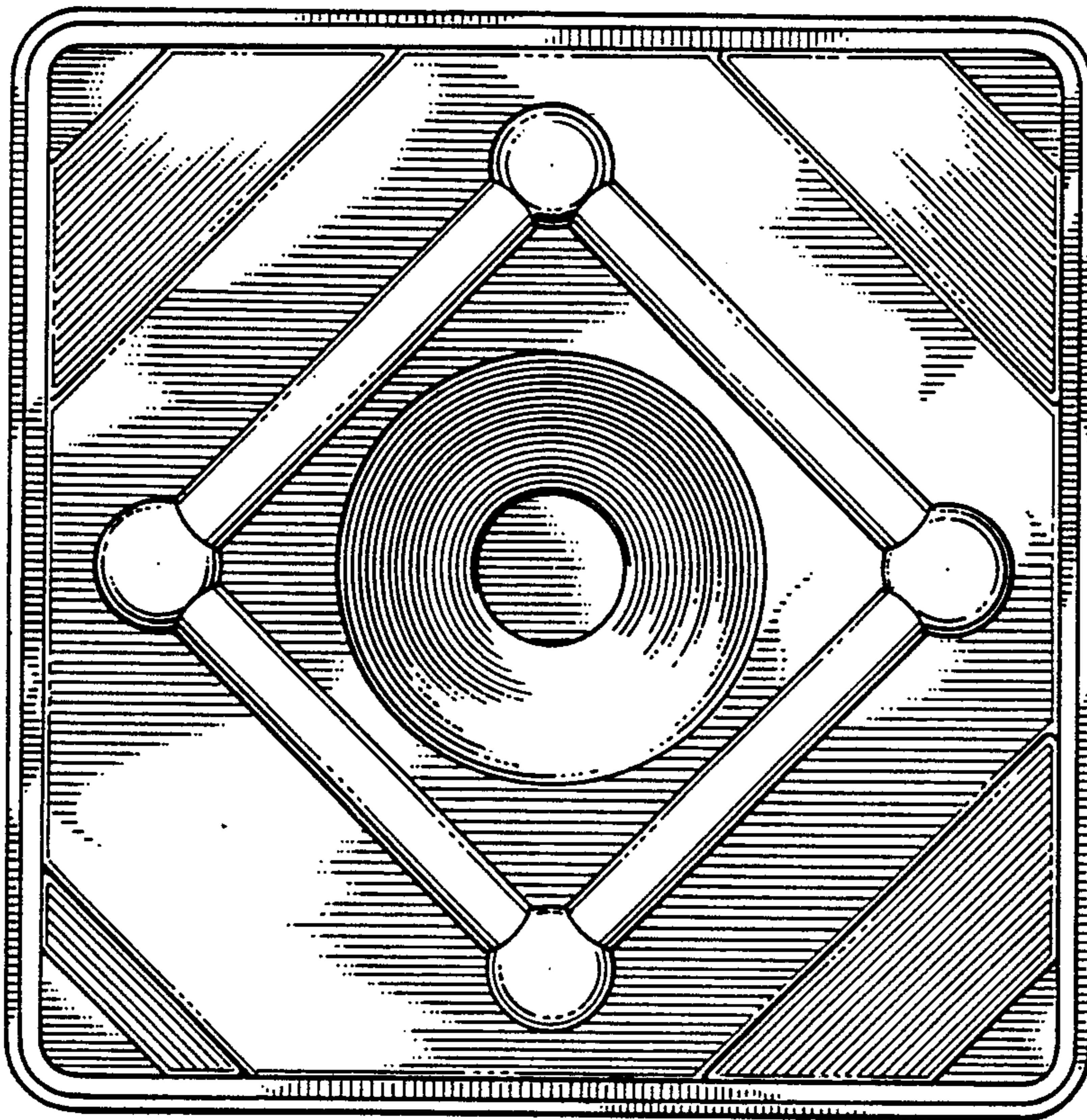


FIG. 4

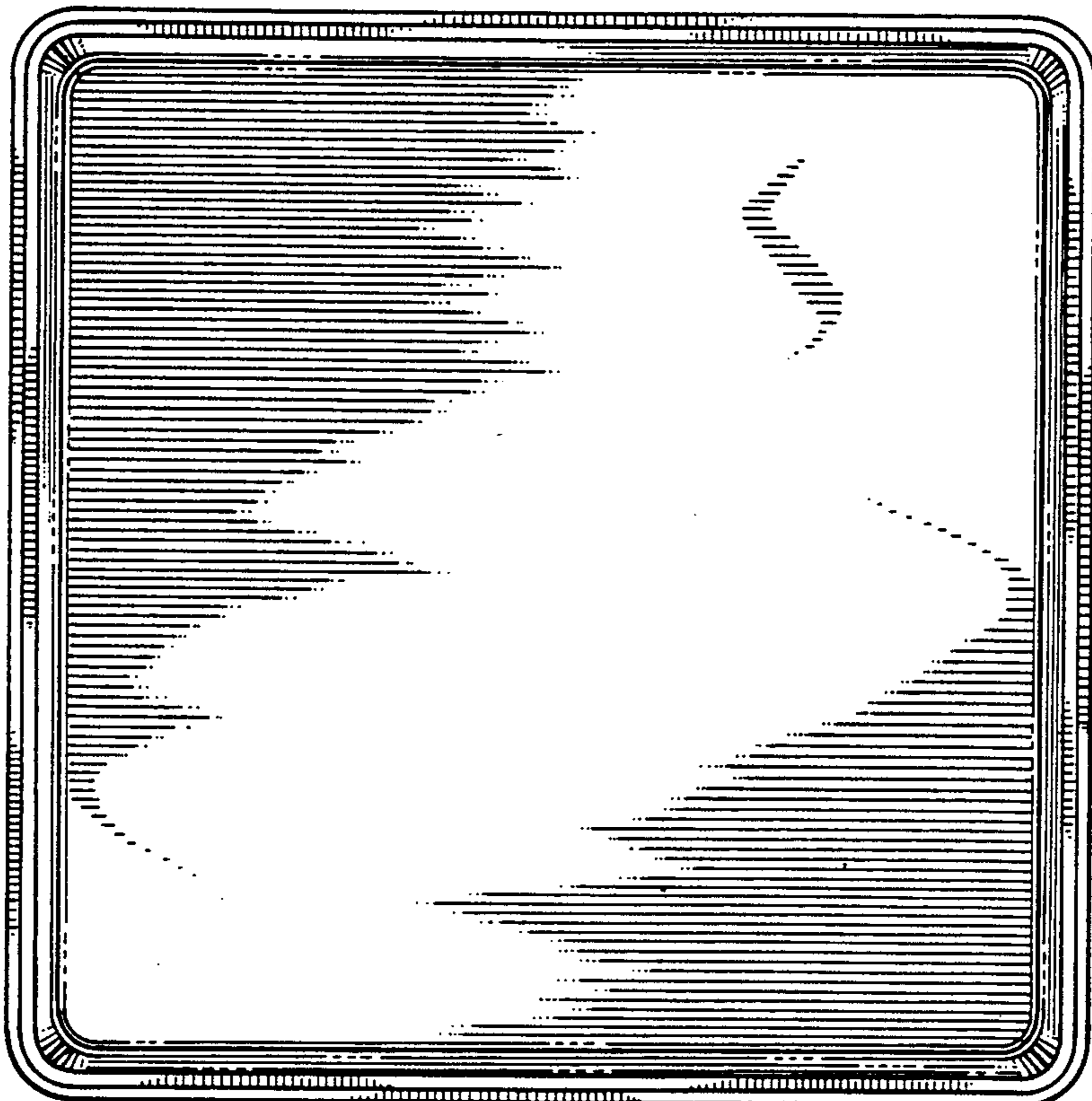


FIG. 5