

[54] APPLIANCE AND ACCESSORIES ORGANIZER

[75] Inventors: Thomas R. Bajek, LaGrange Park; John P. Chap, Lemont, both of Ill.

[73] Assignee: Selfix, Inc., Chicago, Ill.

[**] Term: 14 Years

[21] Appl. No.: 297,084

[22] Filed: Jan. 13, 1989

[52] U.S. Cl. D6/566

[58] Field of Search D6/512, 553, 566-567, D6/574, 572; 211/86-90, 106, 119; 248/220.2, 223.3, 175, 302

[56] References Cited

U.S. PATENT DOCUMENTS

- D. 232,992 10/1974 Molzon D6/570
- D. 291,755 9/1987 Chap D6/566
- D. 295,247 4/1988 Chap D6/566

- 2,608,305 8/1952 Sager 211/106
- 2,678,184 5/1954 Erdody 248/302 X
- 2,758,724 8/1956 Schneider 211/106
- 3,789,996 2/1974 Stroh 248/302 X

Primary Examiner—Wallace R. Burke
Assistant Examiner—Brian N. Vinson
Attorney, Agent, or Firm—Dressler, Goldsmith, Shore, Sutker & Milnamow, Ltd.

[57] CLAIM

The ornamental design for an appliance and accessories organizer, as shown and described.

DESCRIPTION

FIG. 1 is a perspective view of an appliance and accessories organizer showing our new design; FIG. 2 is a right side elevational view thereof, the left side being a mirror image; FIG. 3 is a top plan view thereof; FIG. 4 is a front elevational view thereof; and FIG. 5 is a bottom plan view thereof.

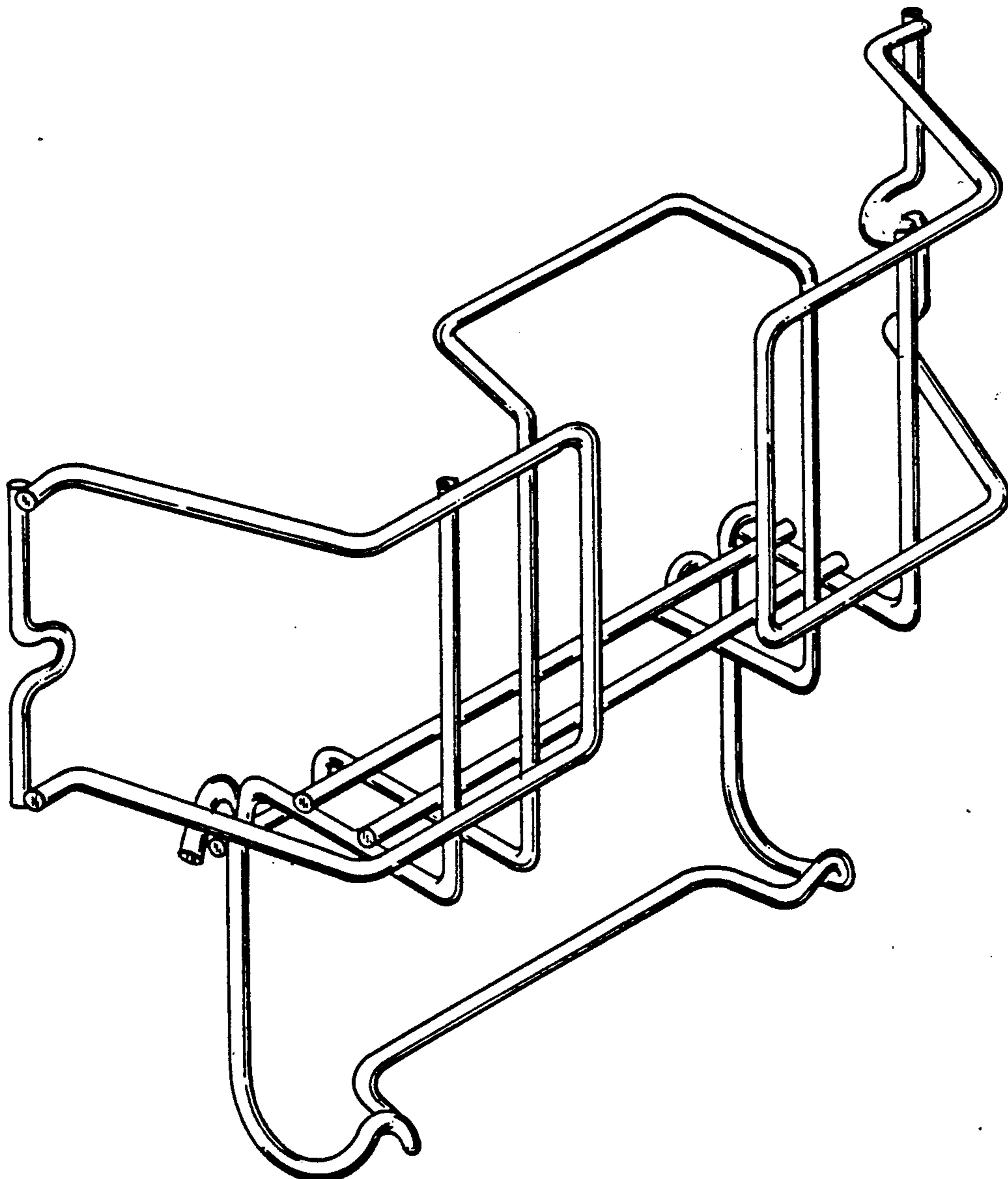


FIG. 1

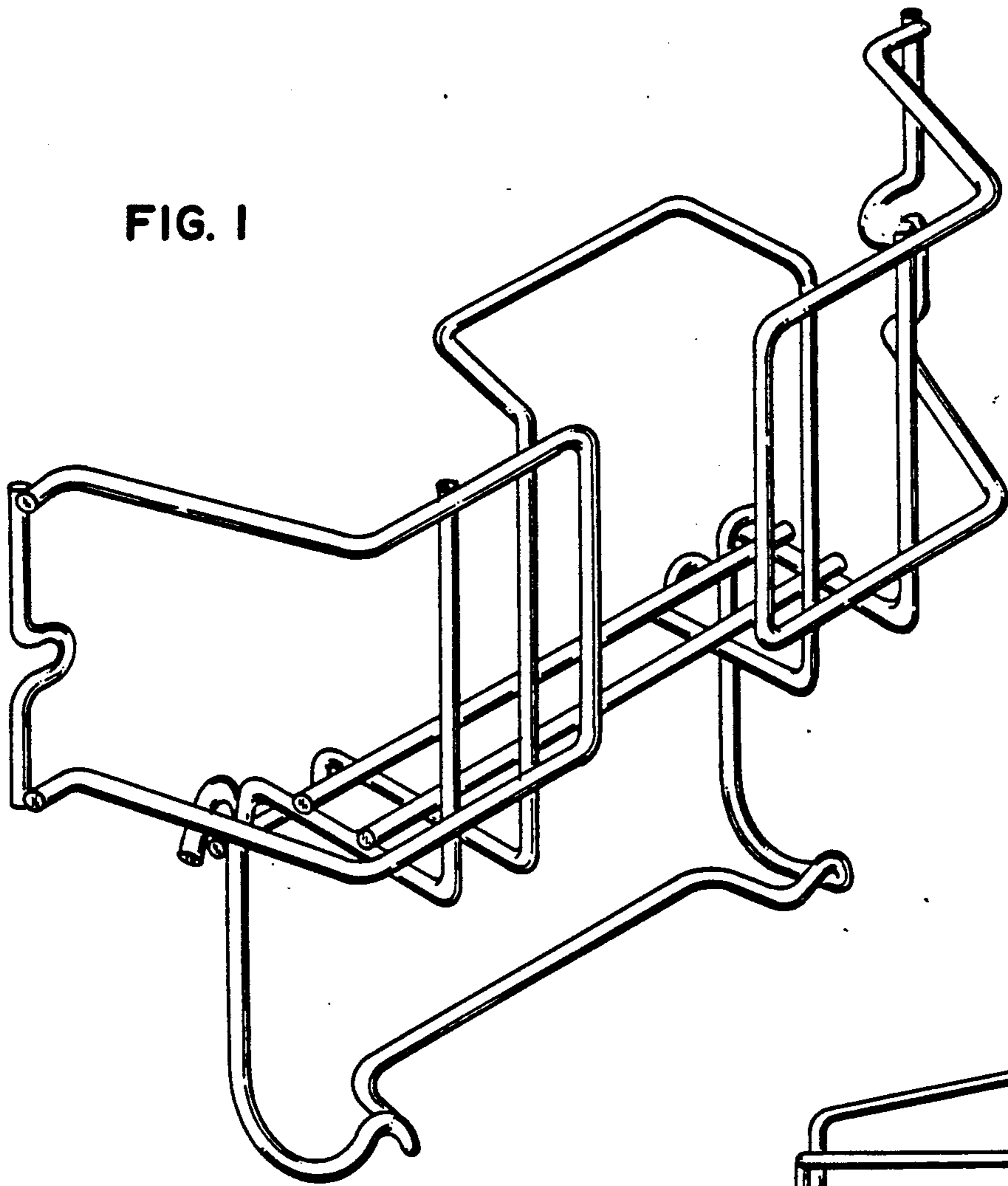


FIG. 2

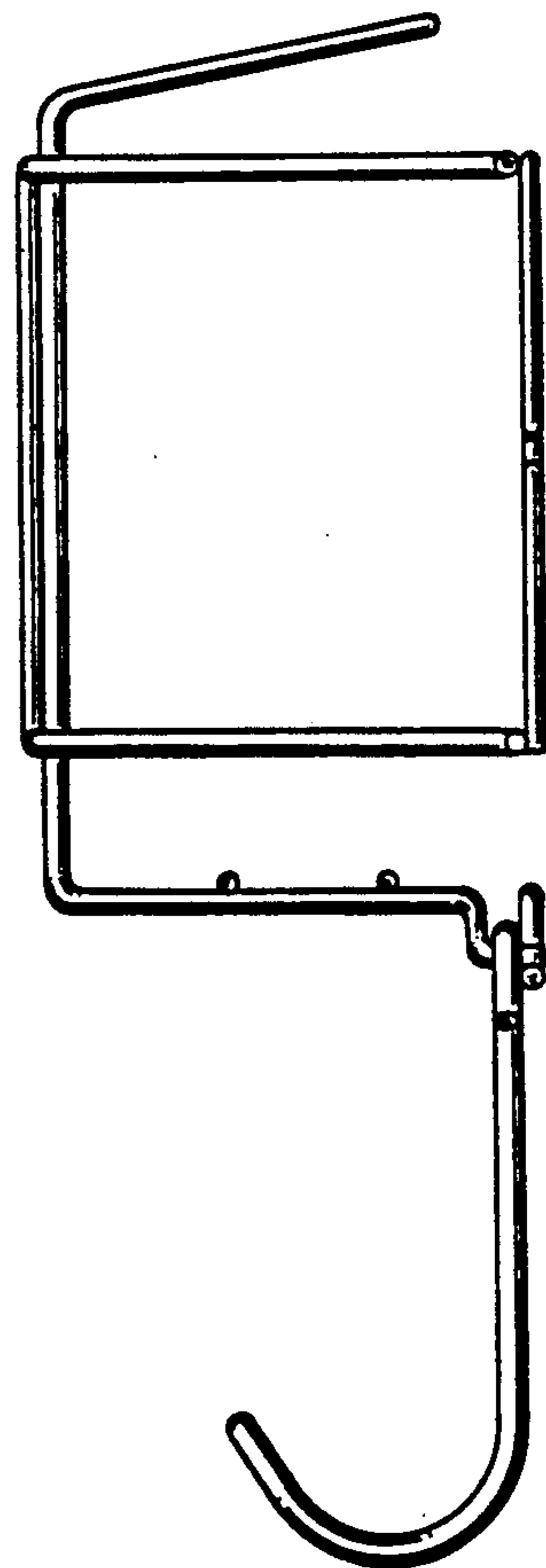


FIG. 3

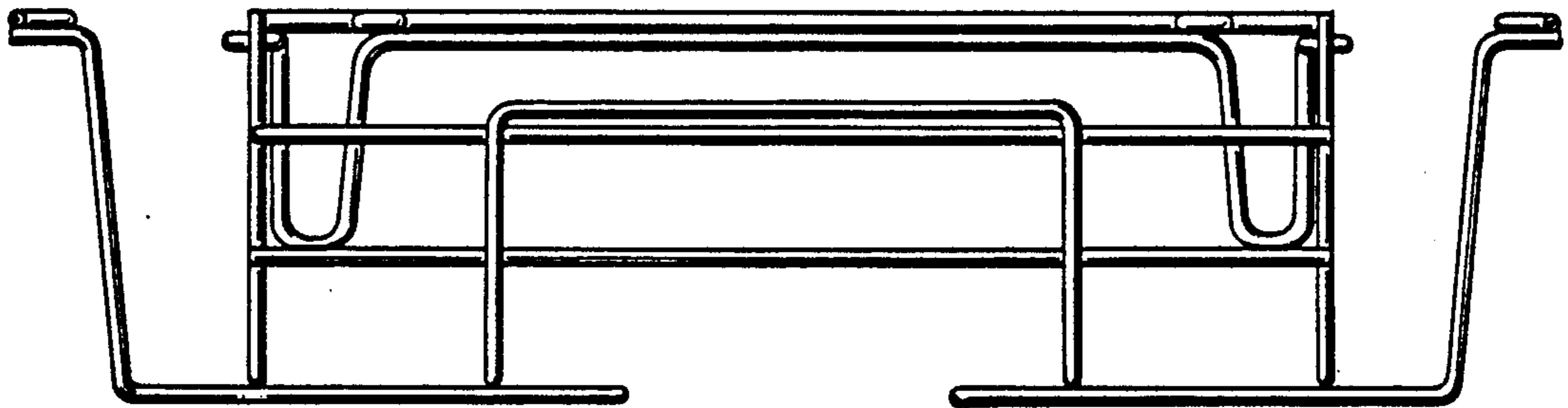


FIG. 4

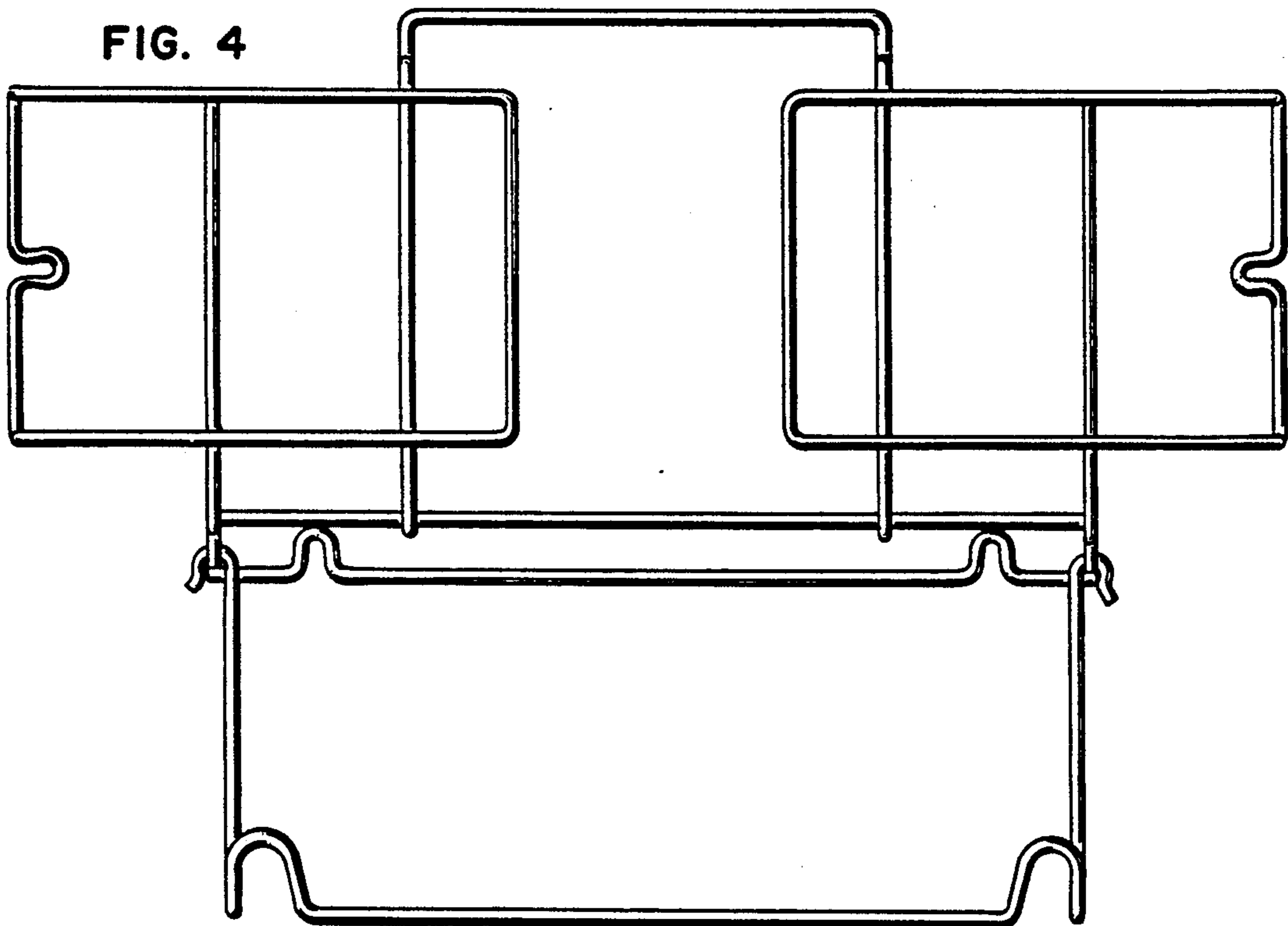


FIG. 5

