

United States Patent [19]

Kellems et al.

[11] Patent Number: **Des. 314,682**

[45] Date of Patent: **** Feb. 19, 1991**

[54] **SHELF**

[75] Inventors: **Kenneth K. Kellems, Costa Mesa; William F. Ryczek, Azusa; Douglas R. Smith, Glendora, all of Calif.**

[73] Assignee: **The Stanley Works, New Britain, Conn.**

[**] Term: **14 Years**

[21] Appl. No.: **318,930**

[22] Filed: **Mar. 2, 1989**

[52] U.S. Cl. **D6/511; D6/574**

[58] Field of Search **D6/512, 553, 567, 574, D6/511; 108/33, 42, 48, 51.1, 56.1, 56.3, 59, 91; 211/134-135, 186**

[56] **References Cited**

U.S. PATENT DOCUMENTS

D. 205,520 8/1966 Magnuson et al. D6/572
D. 218,161 7/1970 Kadison D6/572

D. 242,408 11/1976 Enckler D6/574 X
D. 291,165 8/1987 Ray D6/465
3,197,926 8/1965 Shumaker D6/477 X

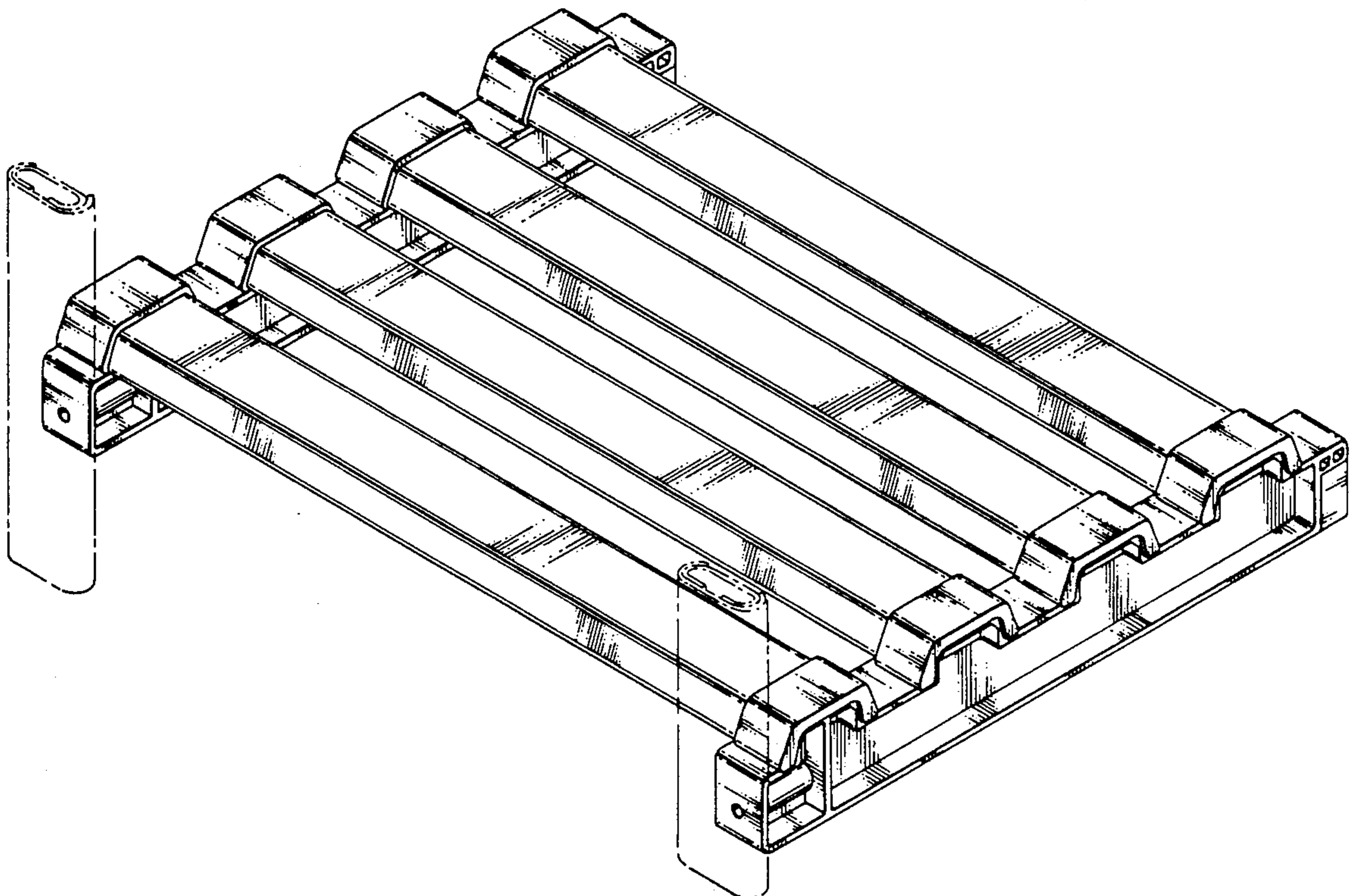
Primary Examiner—Wallace R. Burke
Assistant Examiner—Brian N. Vinson
Attorney, Agent, or Firm—Christie, Parker & Hale

[57] CLAIM

The ornamental design for a shelf, as shown and described.

DESCRIPTION

FIG. 1 is a top, front, and right side isometric view of a shelf showing our new design;
FIG. 2 is a right side elevational view thereof, the left side being a mirror image of the right side;
FIG. 3 is a front elevational view thereof;
FIG. 4 is a top plan view thereof; and
FIG. 5 is a bottom plan view thereof.
The partial broken line depiction of supports in FIGS. 1, 4 and 5 is for illustrative purposes only and forms no part of the claimed design.



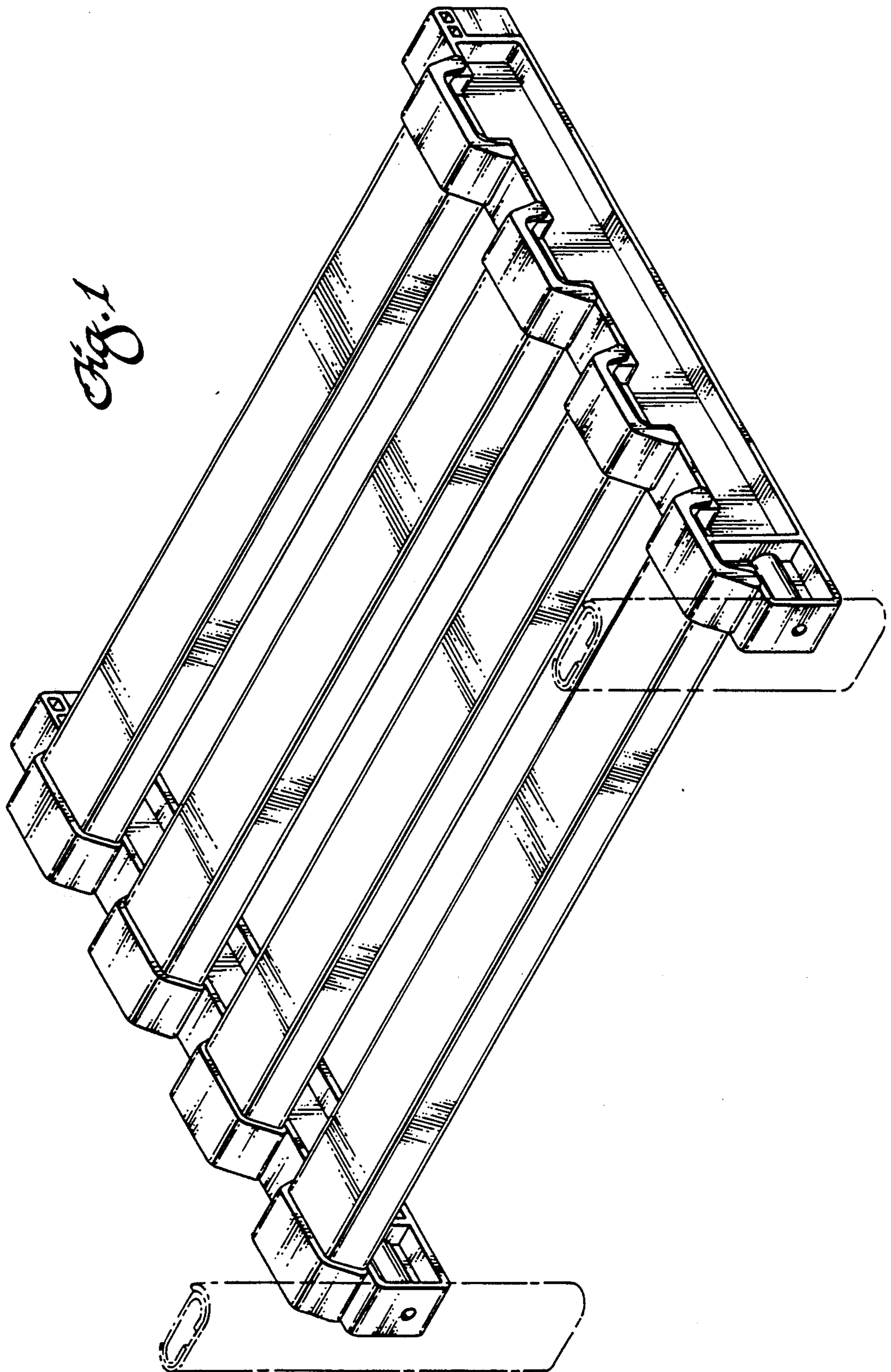


Fig. 1

Fig. 2

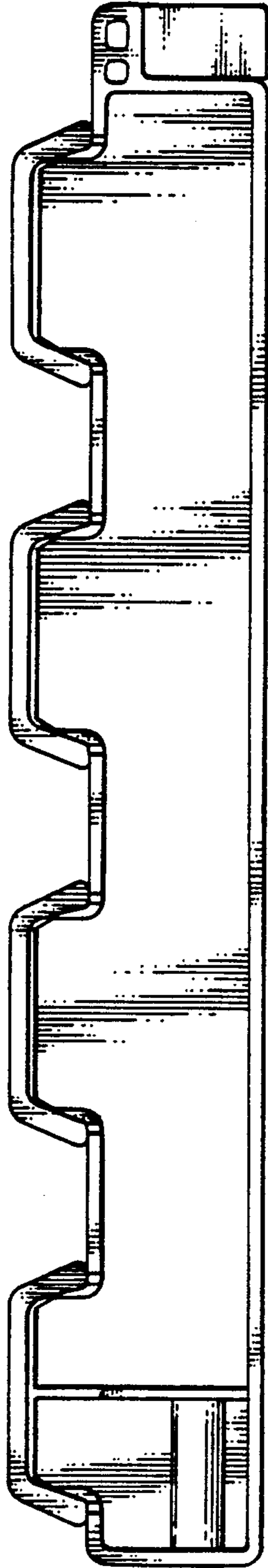


Fig. 3

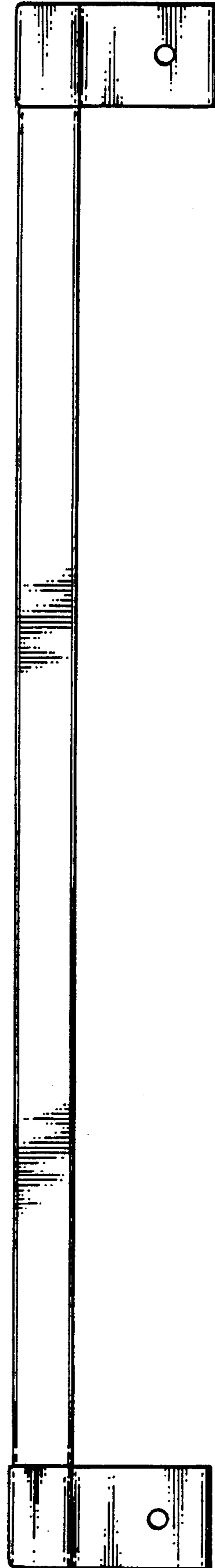




Fig. A

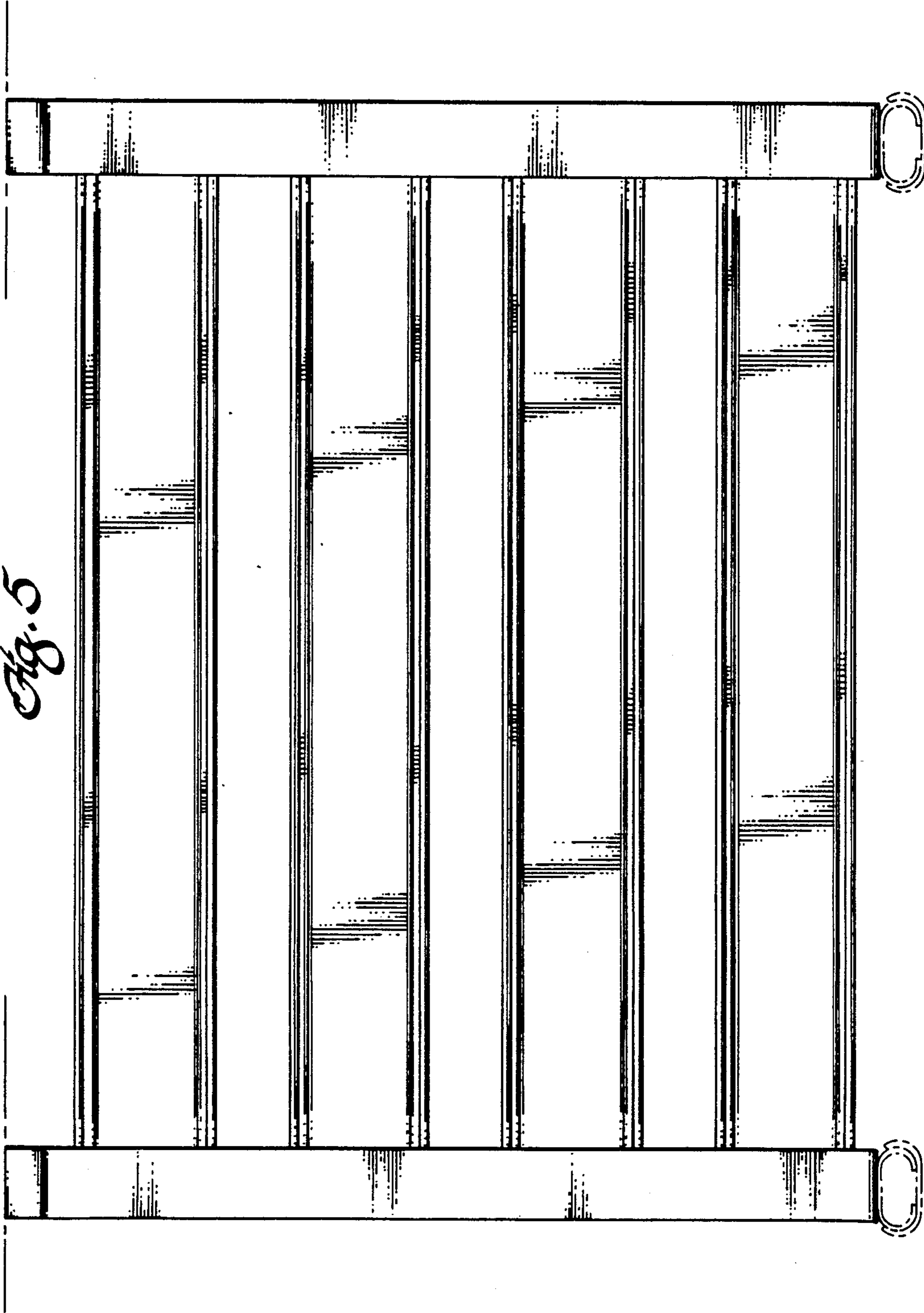


Fig. 5