

[54] TABLE

[75] Inventors: Richard D. McCarthy; William P. Taylor, both of Winston-Salem, N.C.

[73] Assignee: Winston Furniture Company, Inc.; Birmingham, Ala.

[**] Term: 14 Years

[21] Appl. No.: 25,774

[22] Filed: Mar. 13, 1987

[52] U.S. Cl. D6/487

[58] Field of Search D6/396, 442, 449, 455, D6/480, 484, 487, 488; 108/25, 59, 60, 92, 150

[56] References Cited

U.S. PATENT DOCUMENTS

- D. 115,285 6/1939 Conkling, Jr. D6/455
- D. 147,507 9/1947 Prem D6/487
- D. 159,609 8/1950 Goldberg D6/487
- D. 177,681 5/1956 Jones D6/487 X
- D. 178,170 7/1956 Collins D6/480
- D. 182,037 2/1958 Noguchi D6/487
- D. 291,394 8/1987 Dunwell D6/487

OTHER PUBLICATIONS

Design Institute America, all tables shown on page, Galleria.

Design Institute America, all tables shown on page, Park Place.

Design Institute America, all tables shown on page, Splay.

Primary Examiner—Bruce W. Dunkins

Assistant Examiner—Janice Seeger

Attorney, Agent, or Firm—Bell, Seltzer, Park & Gibson

[57] CLAIM

The ornamental design for a table, as shown and described.

DESCRIPTION

FIG. 1 is a perspective view of a table, showing our new design;

FIG. 2 is an alternate perspective view;

FIG. 3 is a top plan view;

FIG. 4 is a side elevational view;

FIG. 5 is a side elevational view, showing the three facets opposite that shown in FIG. 4;

FIG. 6 is a perspective view of a table, showing a second embodiment of our new design;

FIG. 7 is a top plan view of the table shown in FIG. 6;

FIG. 8 is a side elevational view of the table shown in FIG. 6;

FIG. 9 is an end elevational view of the table shown in FIG. 6;

FIG. 10 is a perspective view of a table; showing a third embodiment of our new design;

FIG. 11 is a top plan view of the table shown in FIG. 10;

FIG. 12 is a side elevational view of the table shown in FIG. 10;

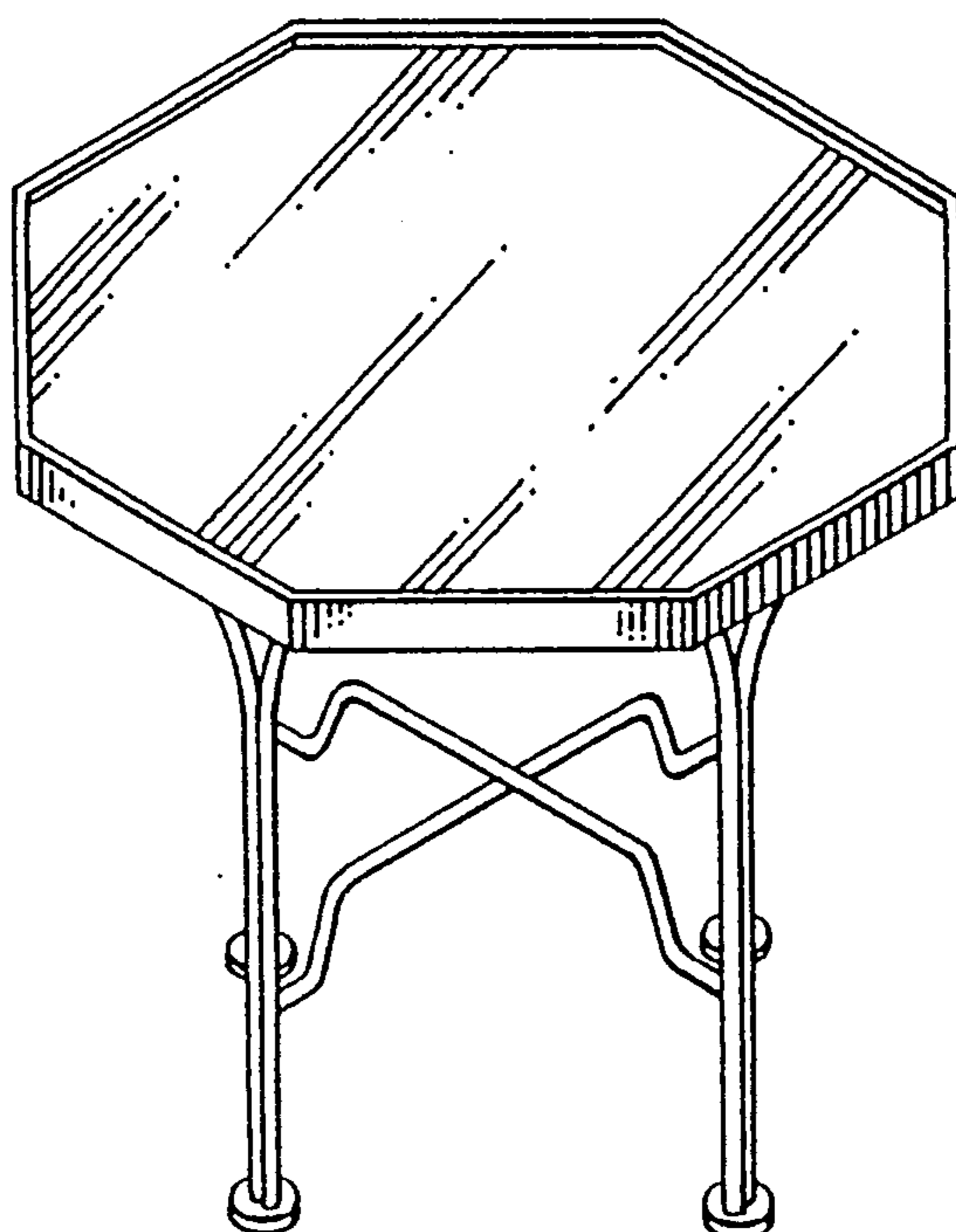
FIG. 13 is an end elevational view of the table shown in FIG. 10;

FIG. 14 is a perspective view of a table, showing a fourth embodiment of our new design;

FIG. 15 is a top plan view of the table shown in FIG. 14;

FIG. 16 is a side elevational view of the table shown in FIG. 14; and

FIG. 17 is an end elevational view of the table shown in FIG. 14.



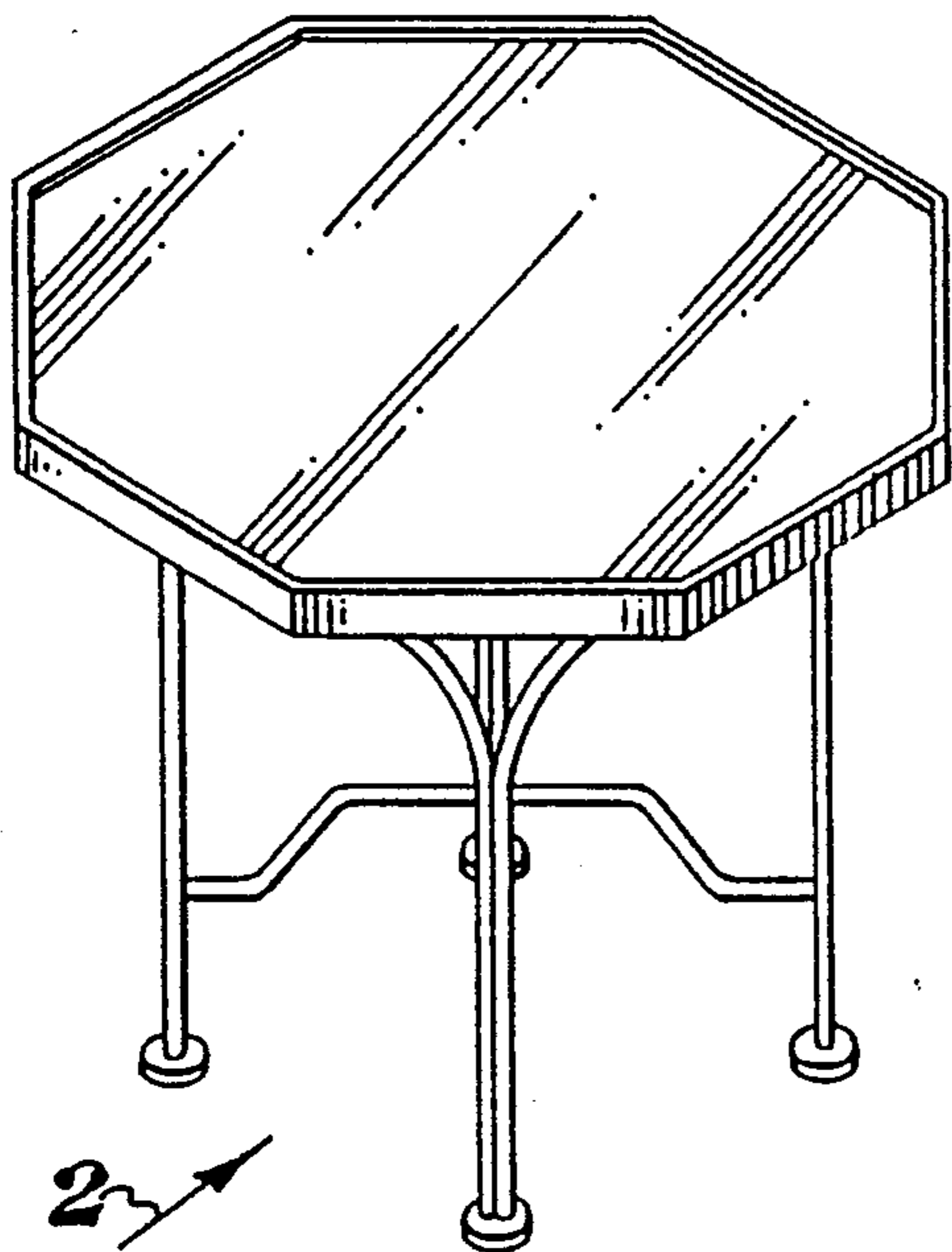


FIG-1

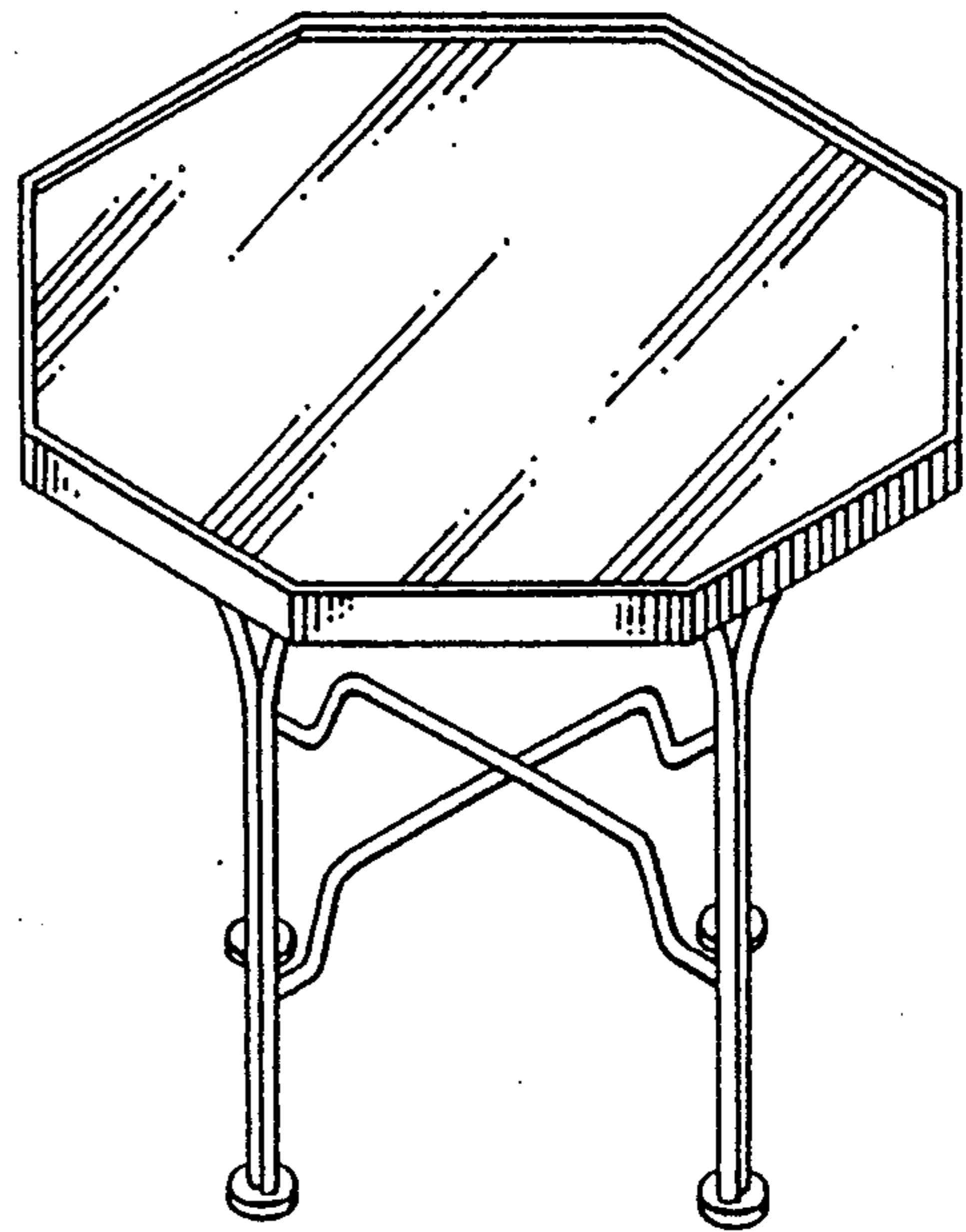


FIG-2

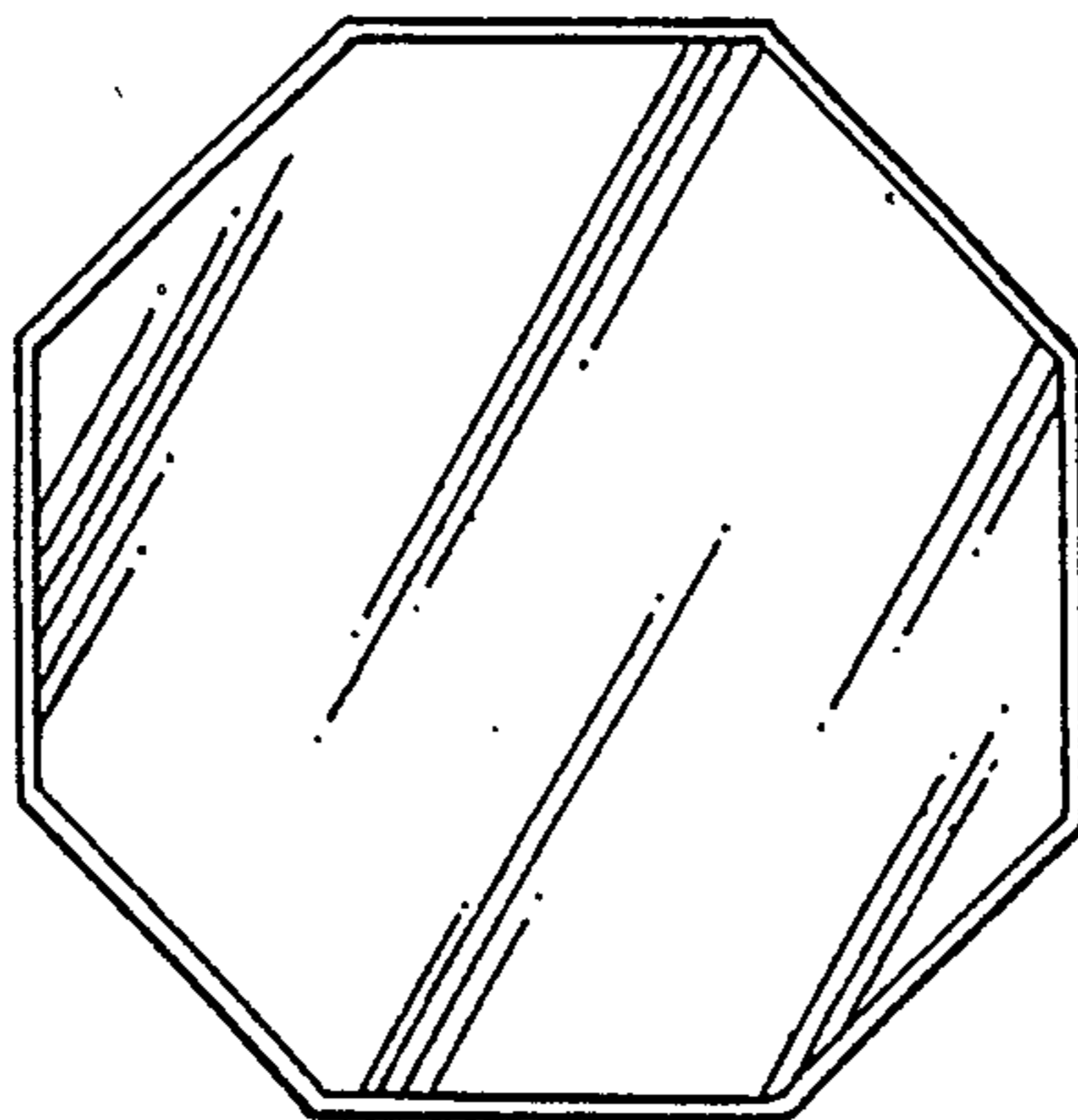


FIG-3

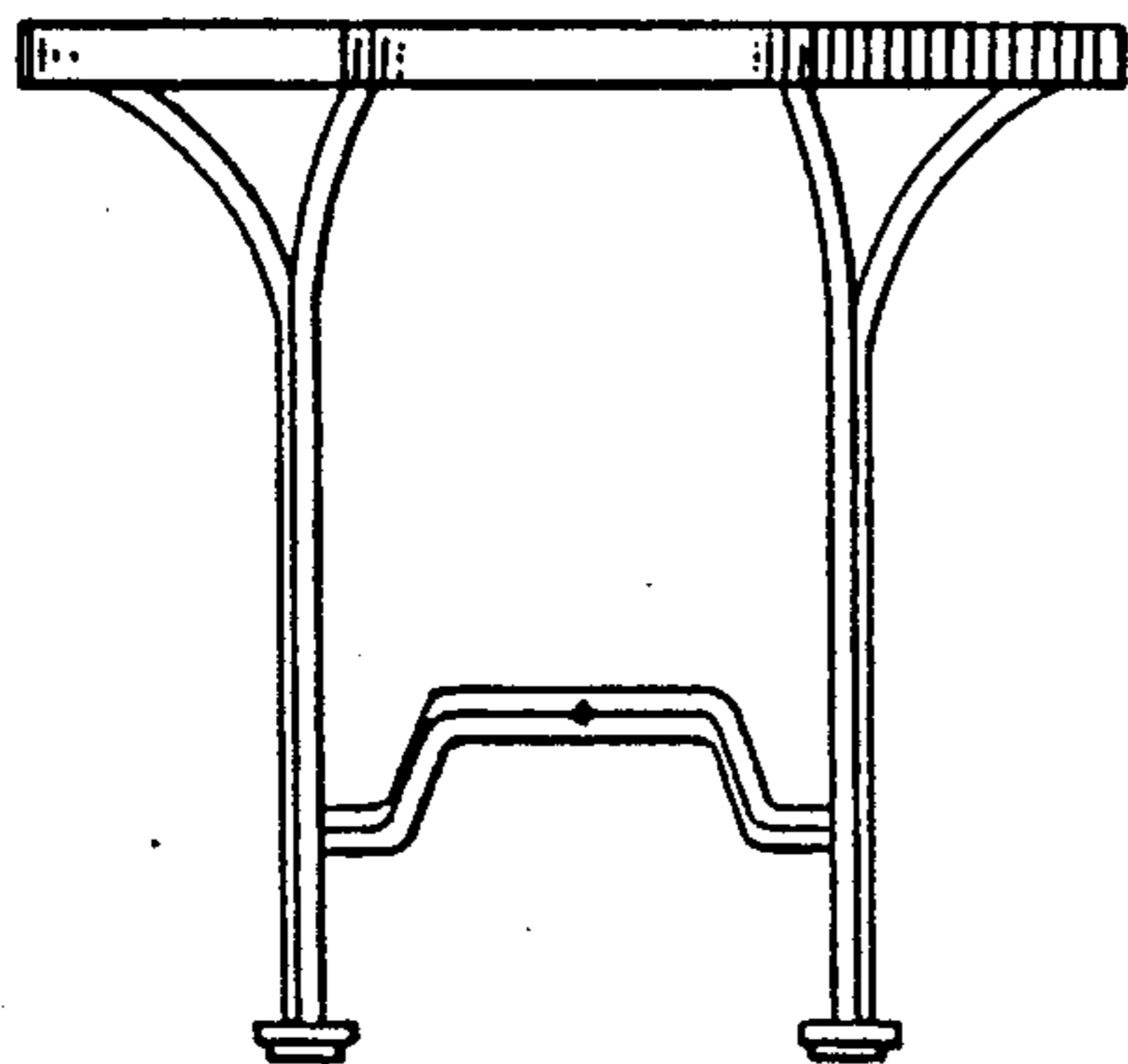


FIG-4

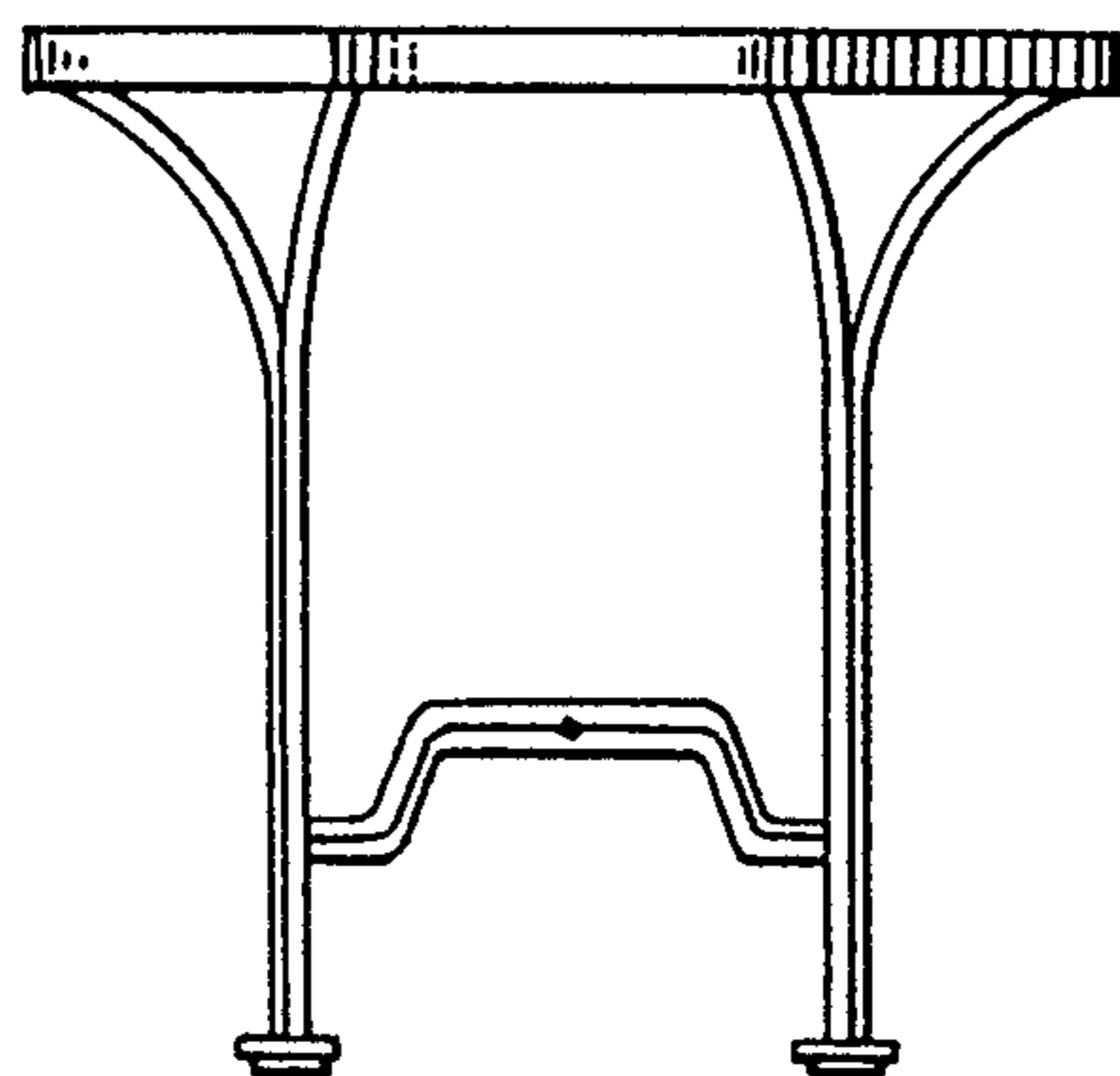


FIG-5

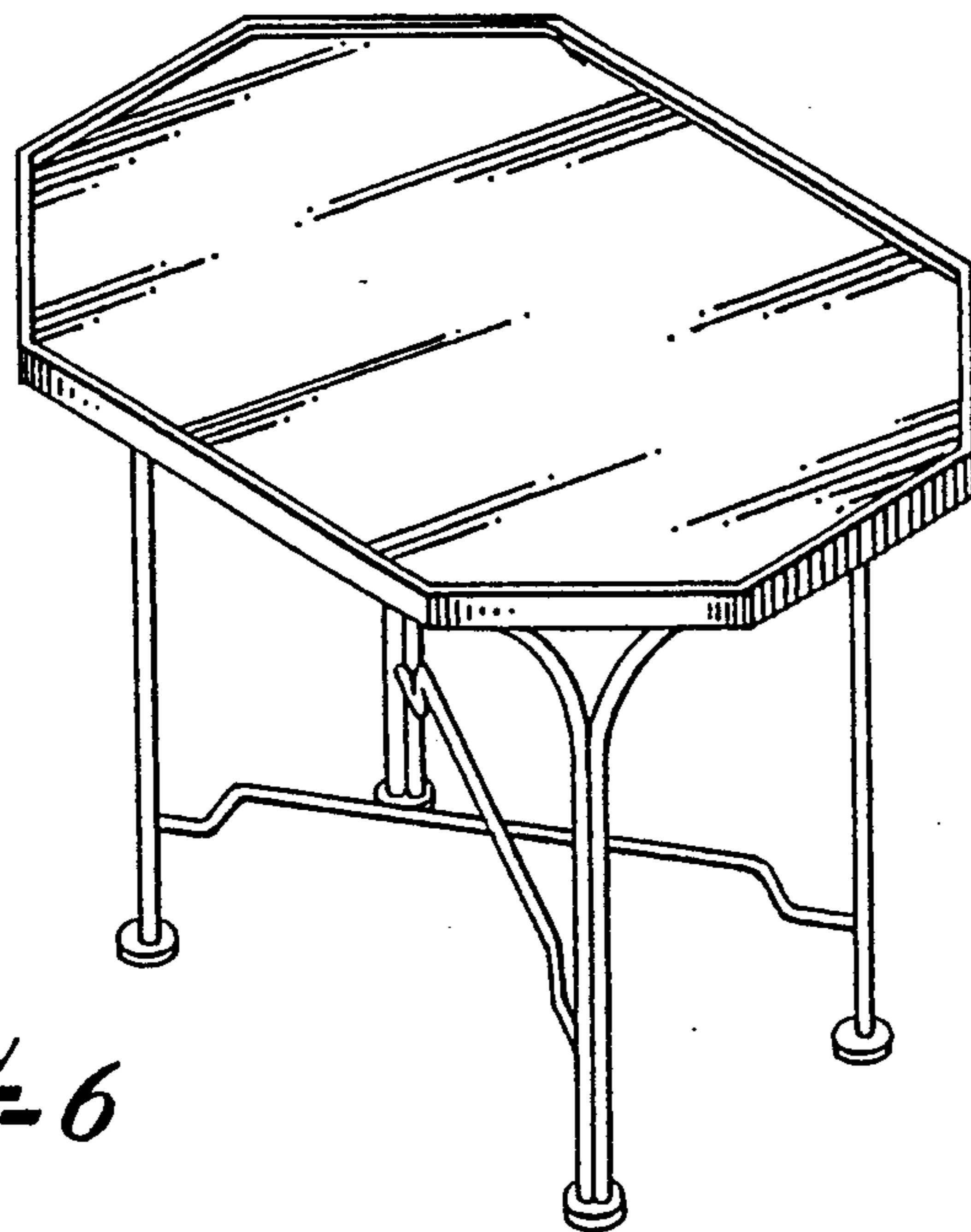


FIG-6

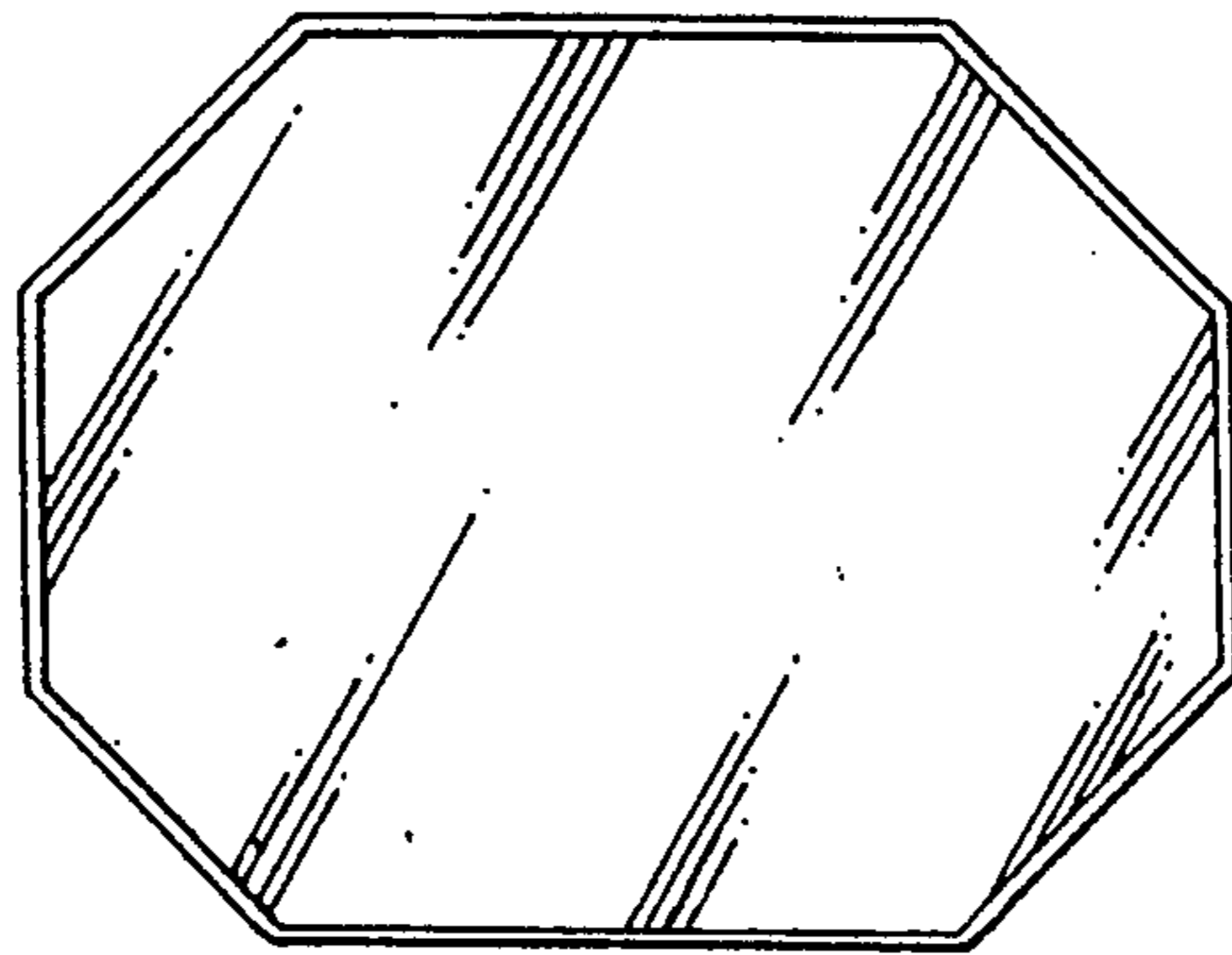


FIG-7

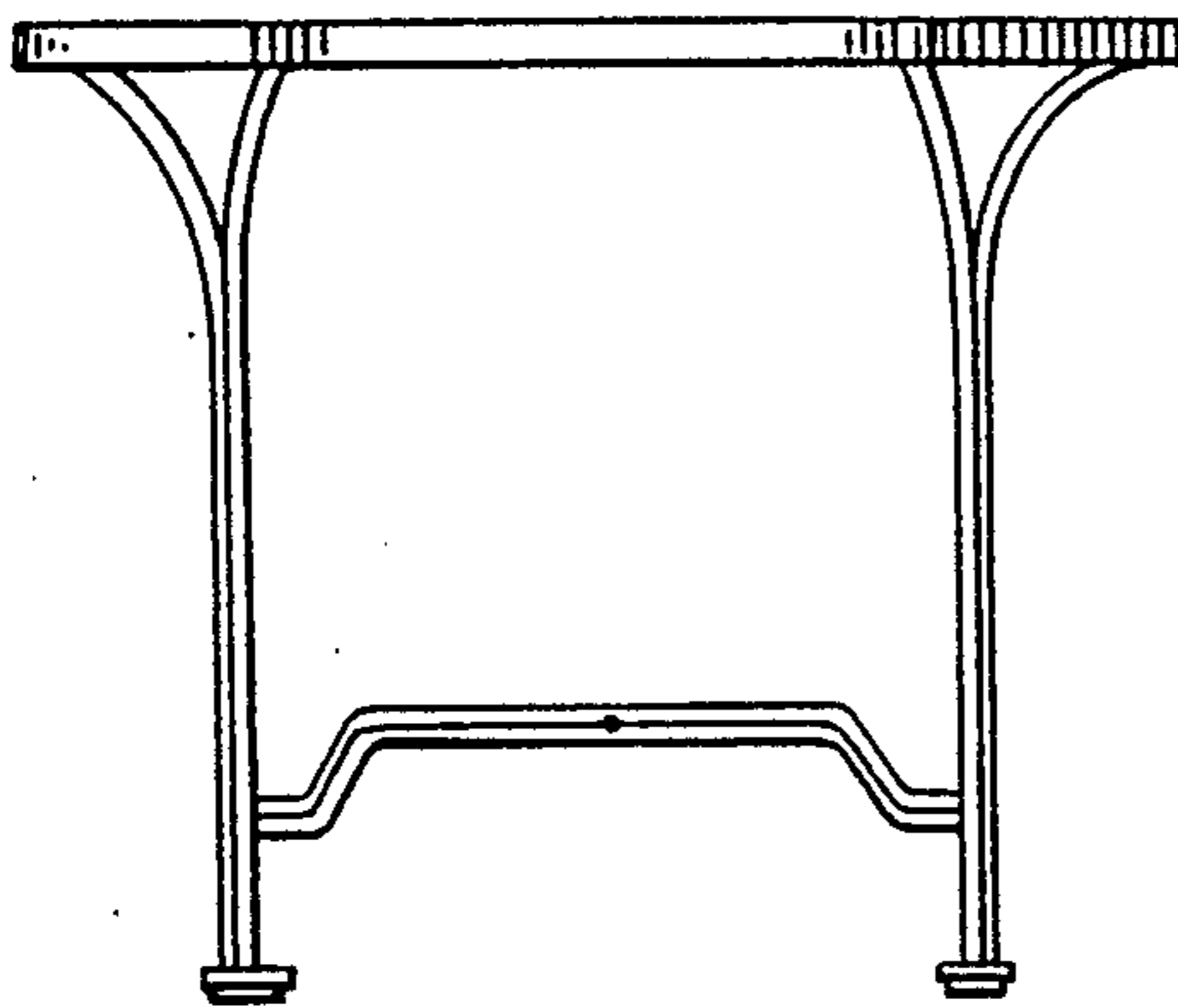


FIG-8

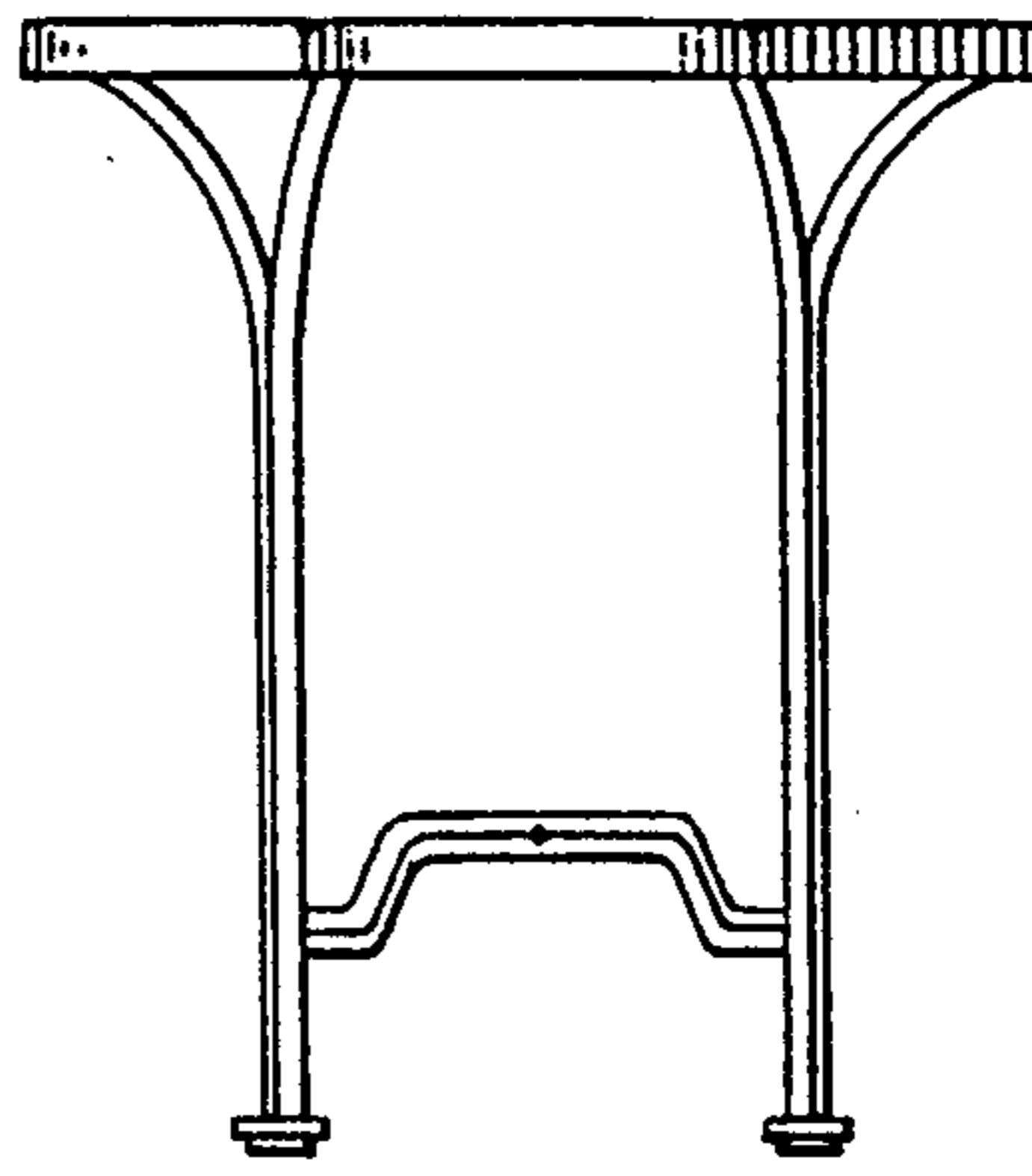


FIG-9

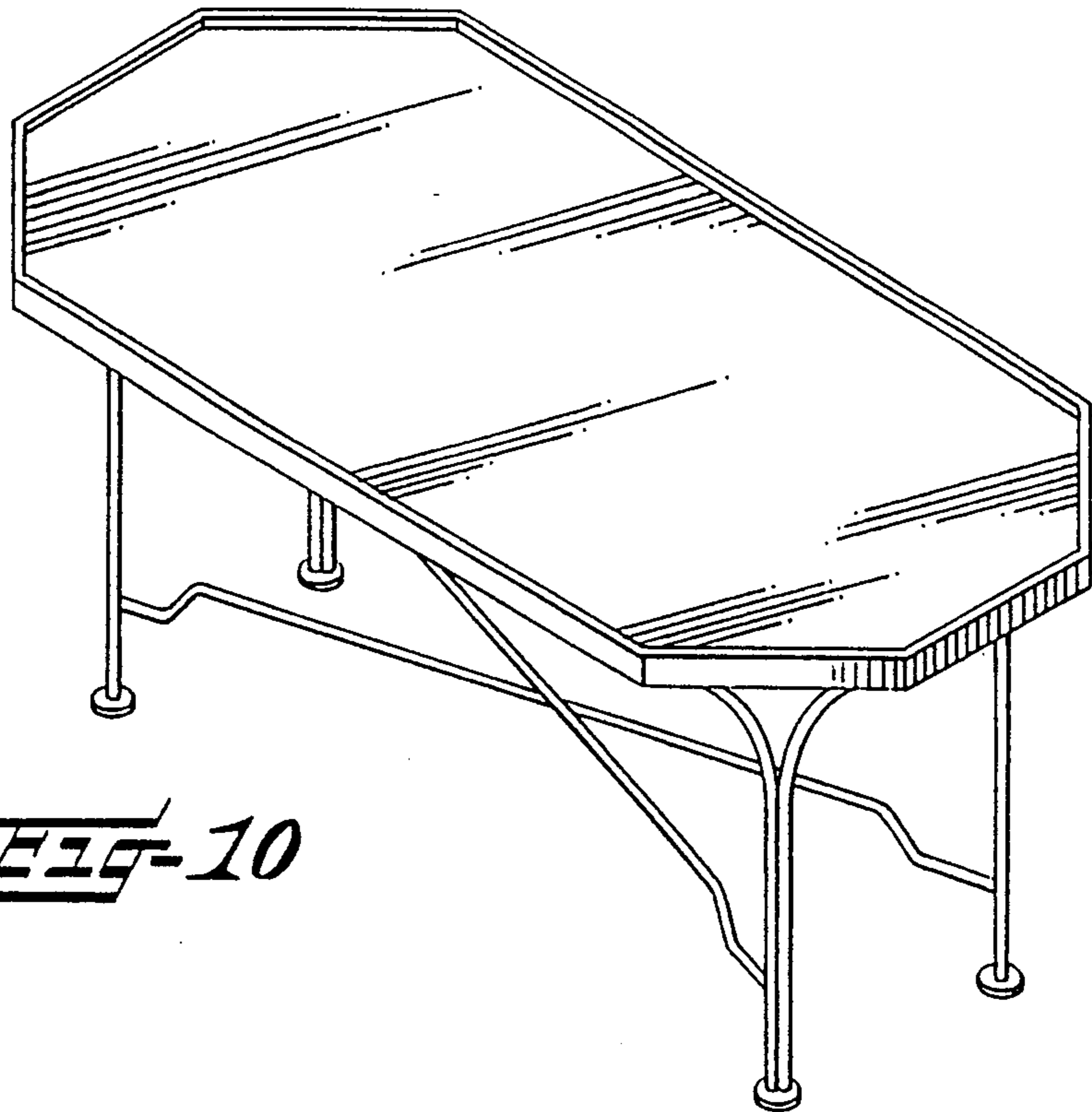


FIG-10

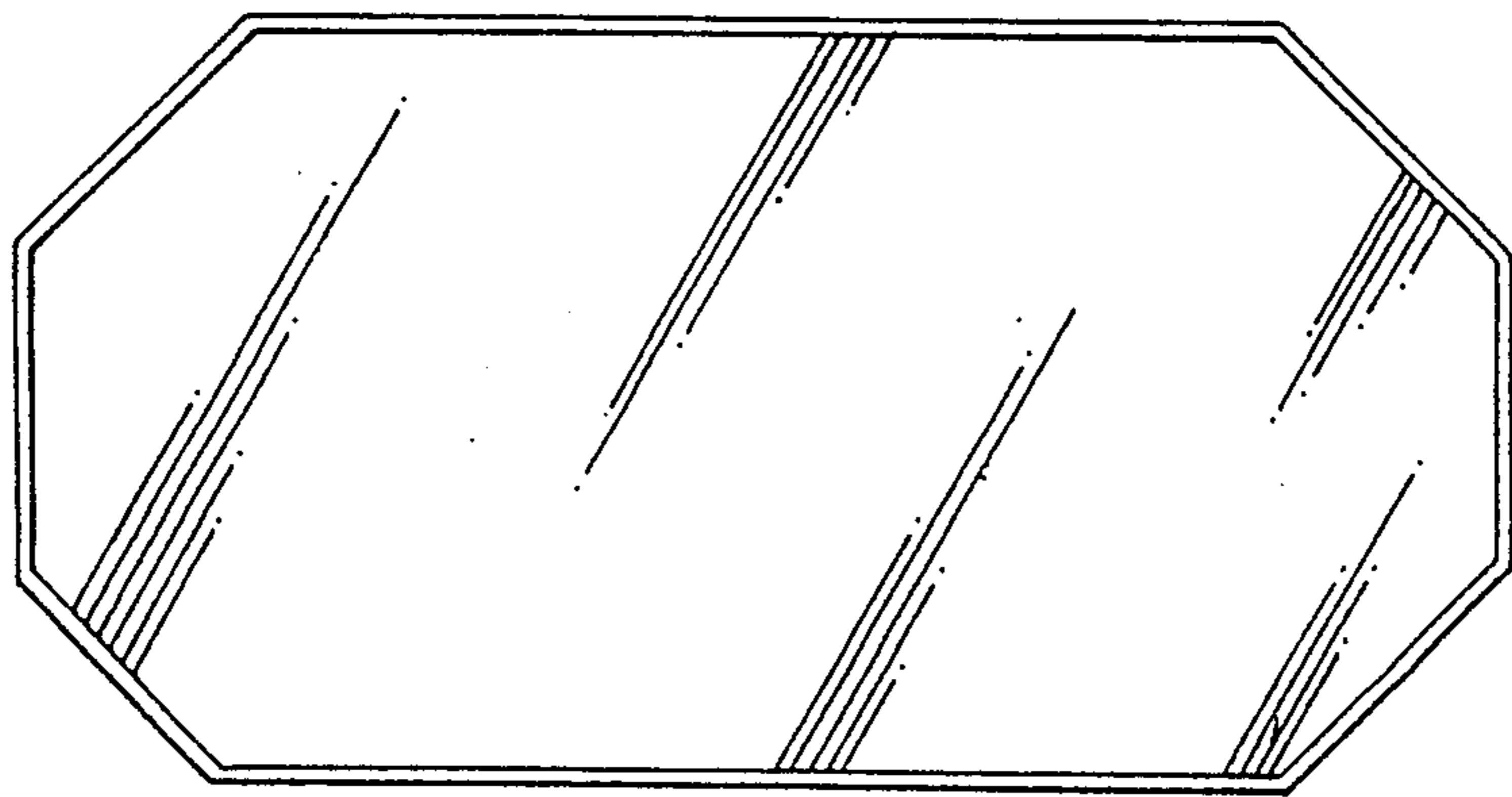


FIG-11

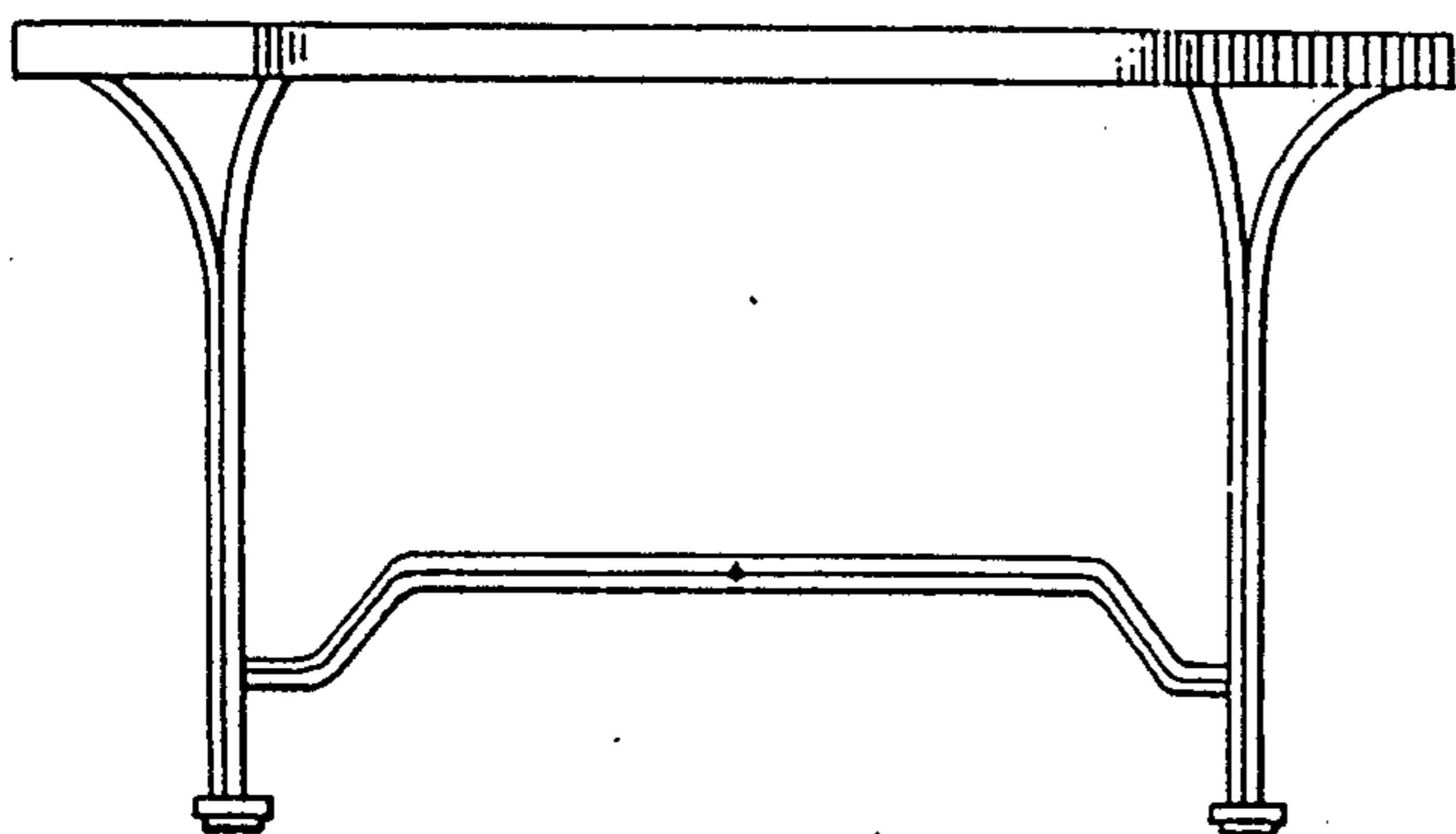


FIG-12

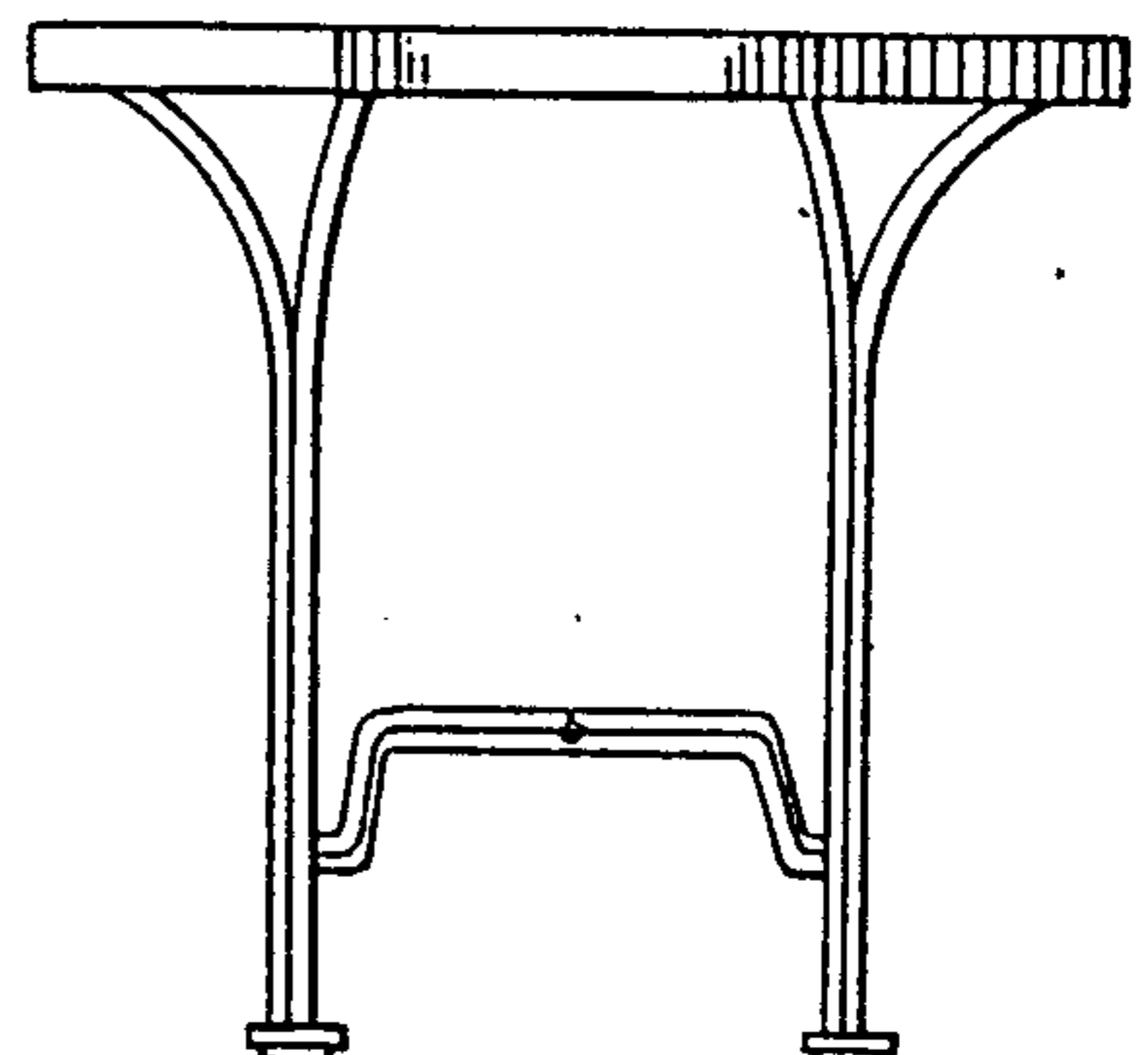


FIG-13

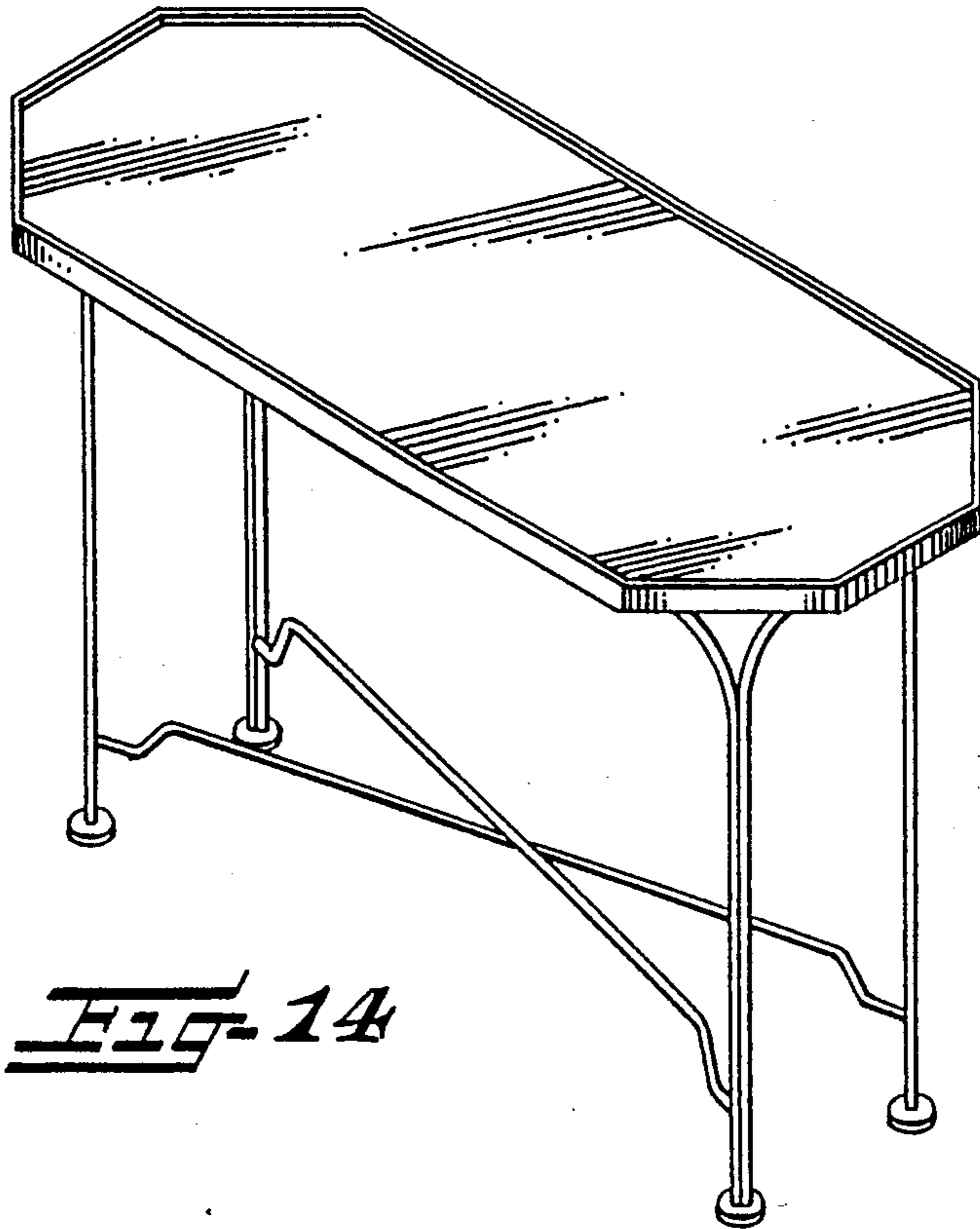


FIG-14

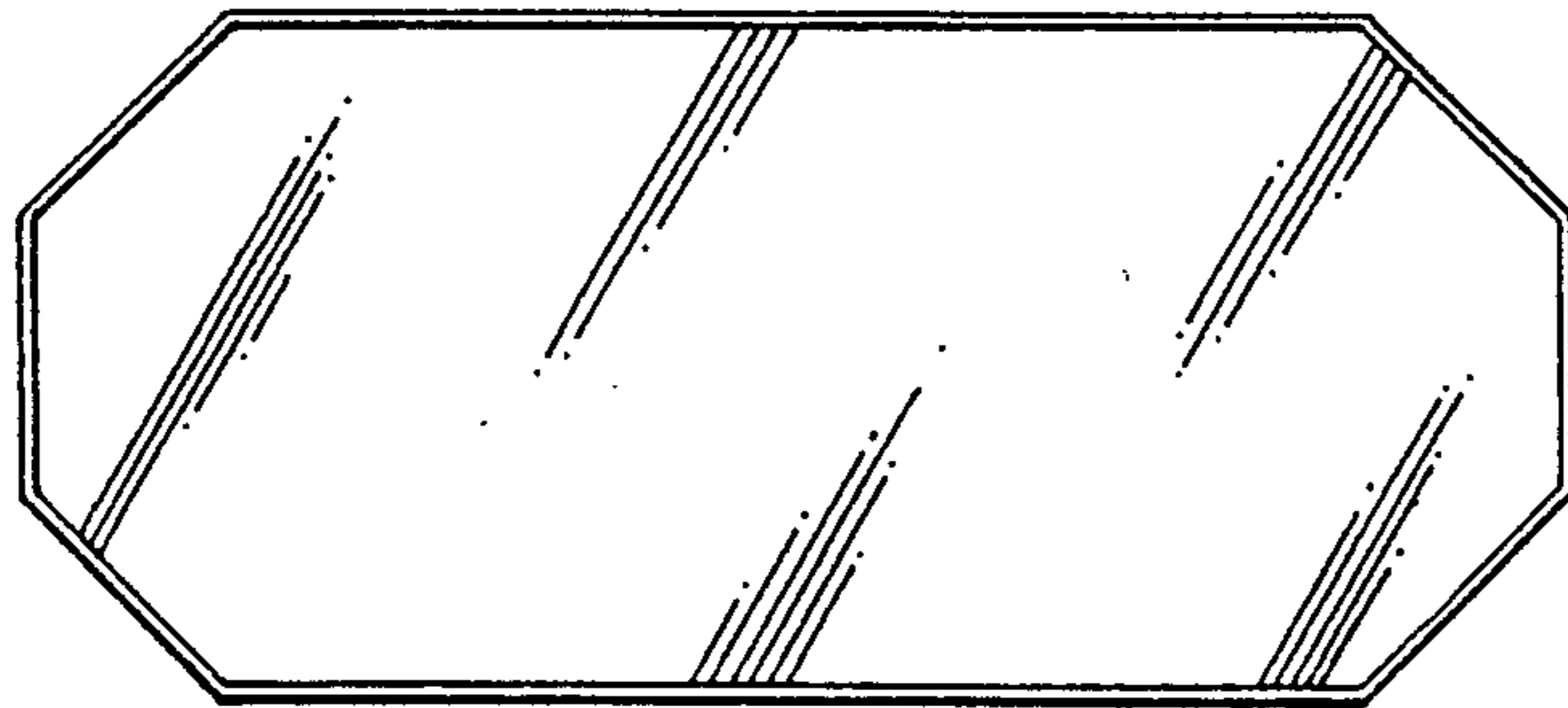


FIG-15

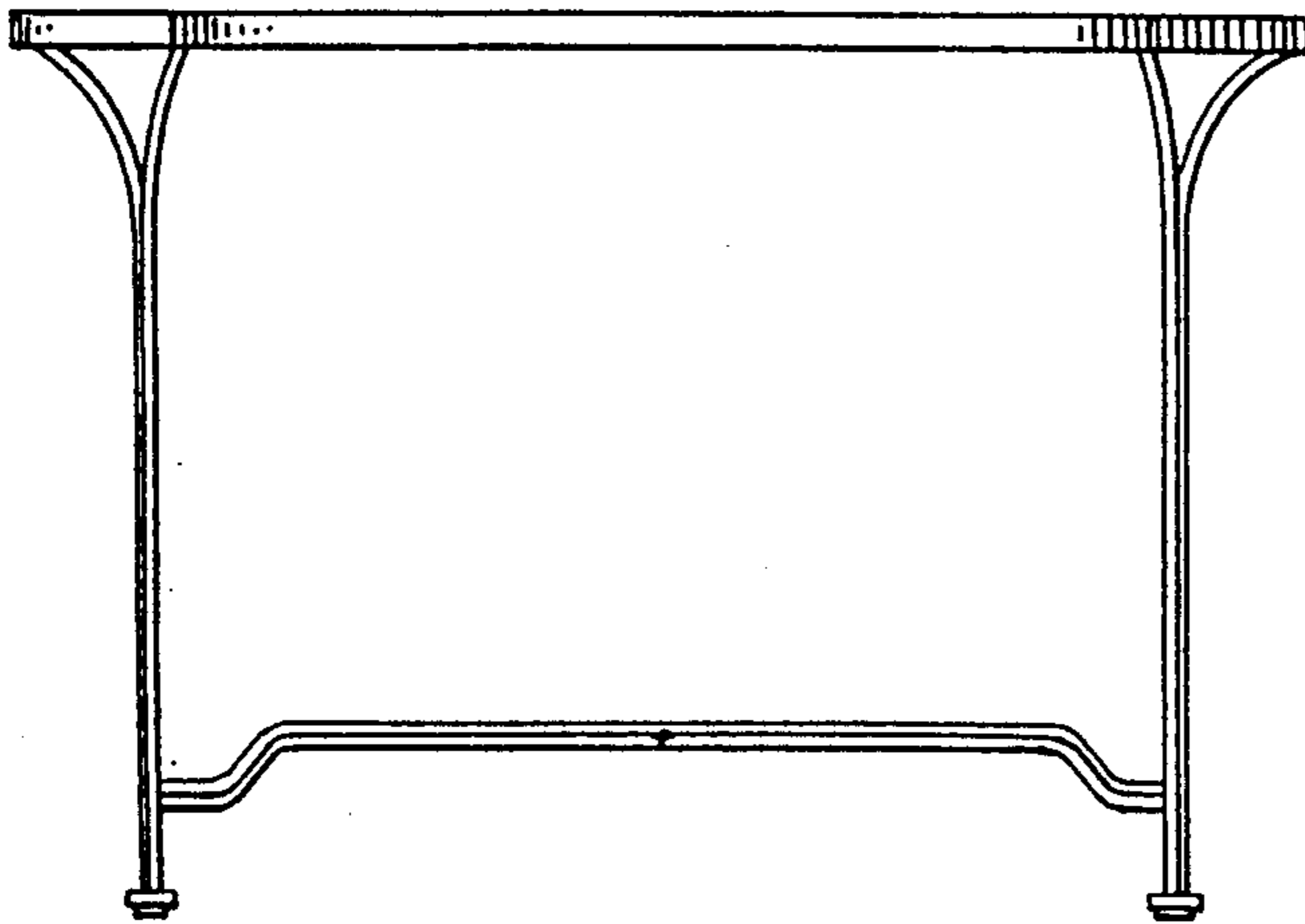


FIG-16

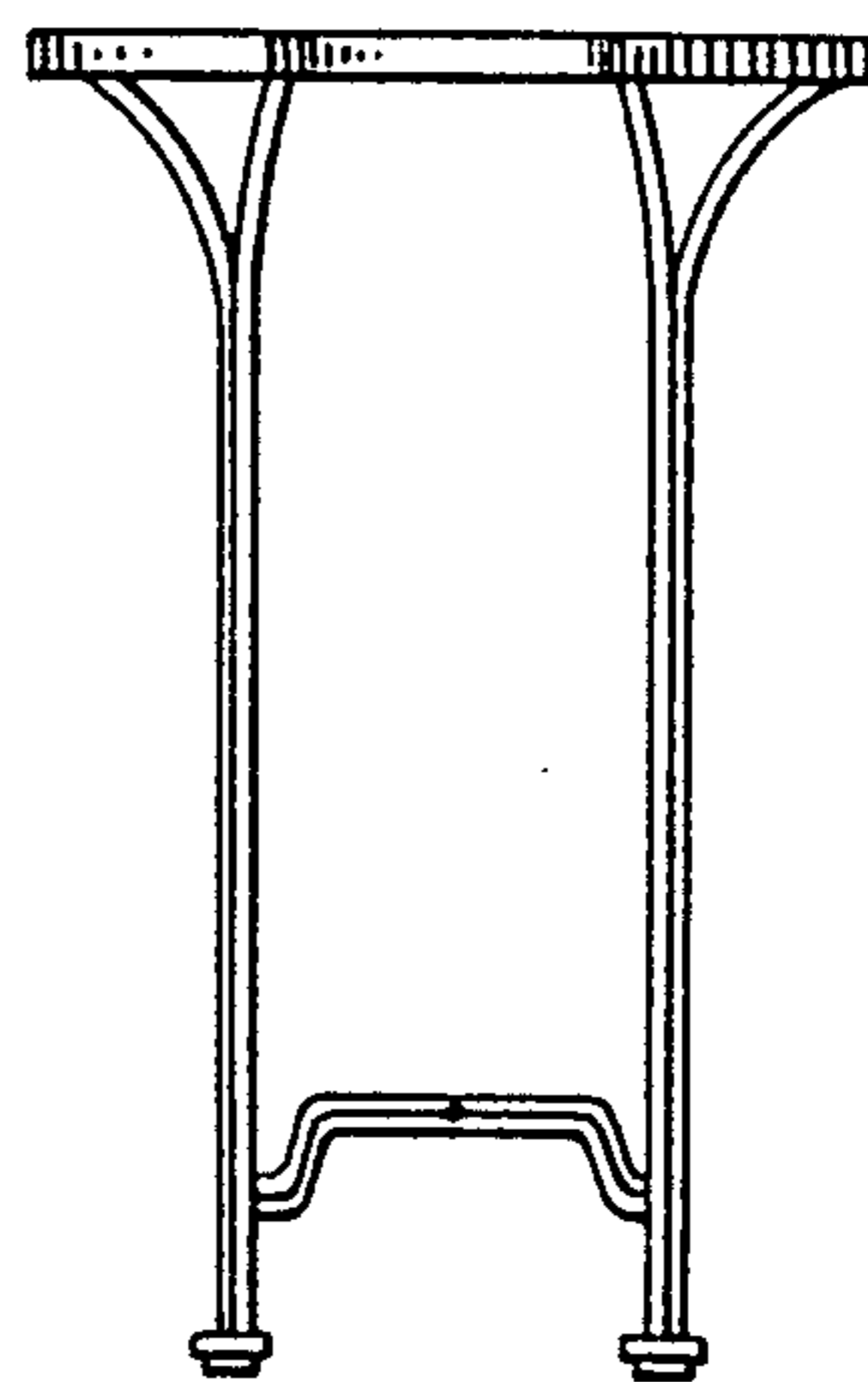


FIG-17