

[54] LAP TRAY

[76] Inventor: Waiel R. Ali, 1601 Aspen Dr.,
Plainsboro, N.J. 08536

[**] Term: 14 Years

[21] Appl. No.: 112,763

[22] Filed: Oct. 26, 1987

[52] U.S. Cl. D6/406; D7/554

[58] Field of Search D7/1, 2, 3, 19, 21,
D7/22, 37, 38, 46, 70, 357; D3/74; D9/341,
345, 347, 424, 425; D6/339, 406, 491, 511, 338;
220/23.8; 206/562-565

[56] **References Cited**

U.S. PATENT DOCUMENTS

D. 283,956 5/1986 Lemmeyer D6/339
D. 297,684 9/1988 Taylor, Sr. D6/338 X

322,942 7/1885 Lance D6/406 X
1,242,785 10/1917 Eldridge 220/23.8 X
2,640,747 6/1953 Bodenhoff D7/38 X
2,663,603 12/1953 Newman D6/406 X

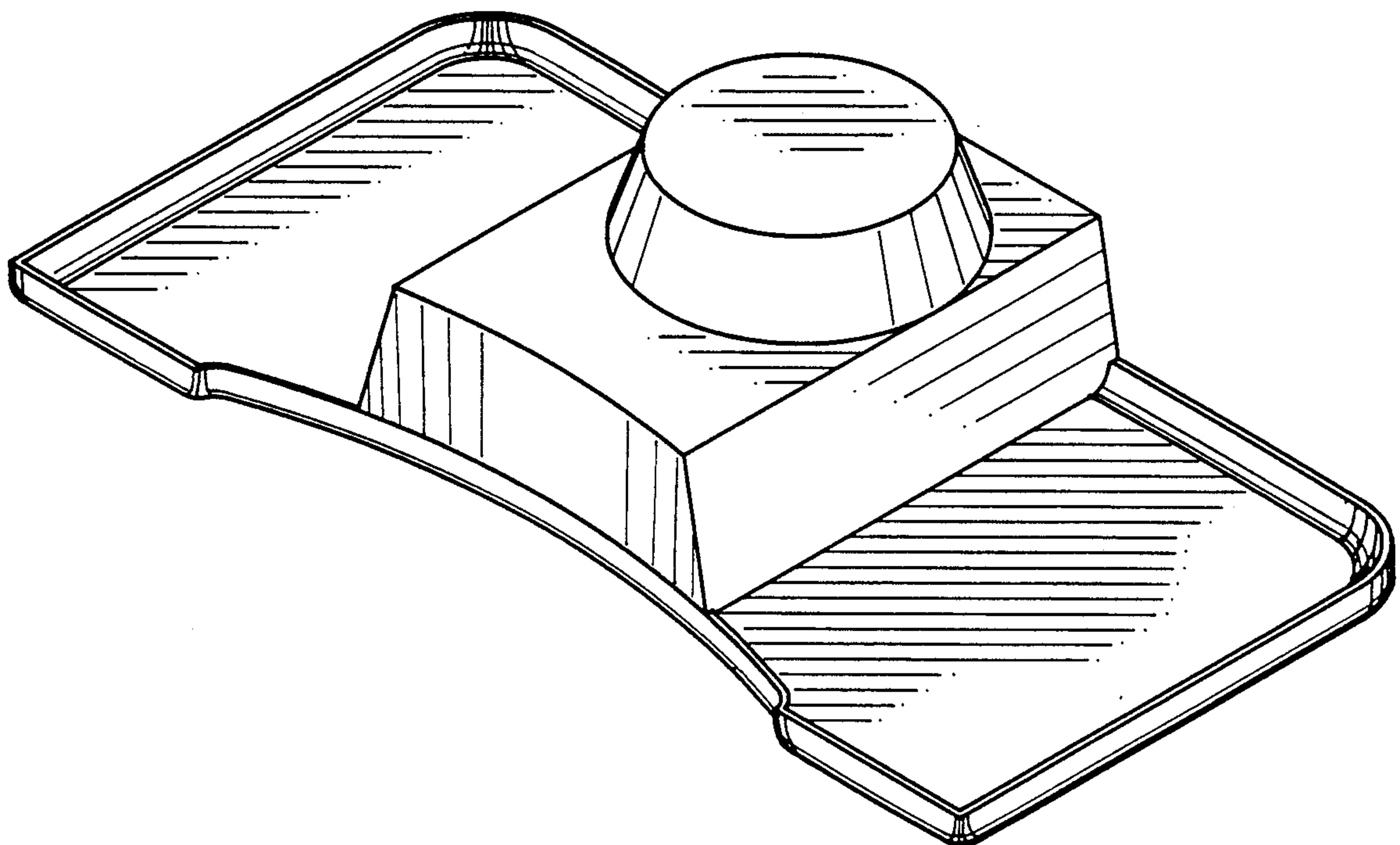
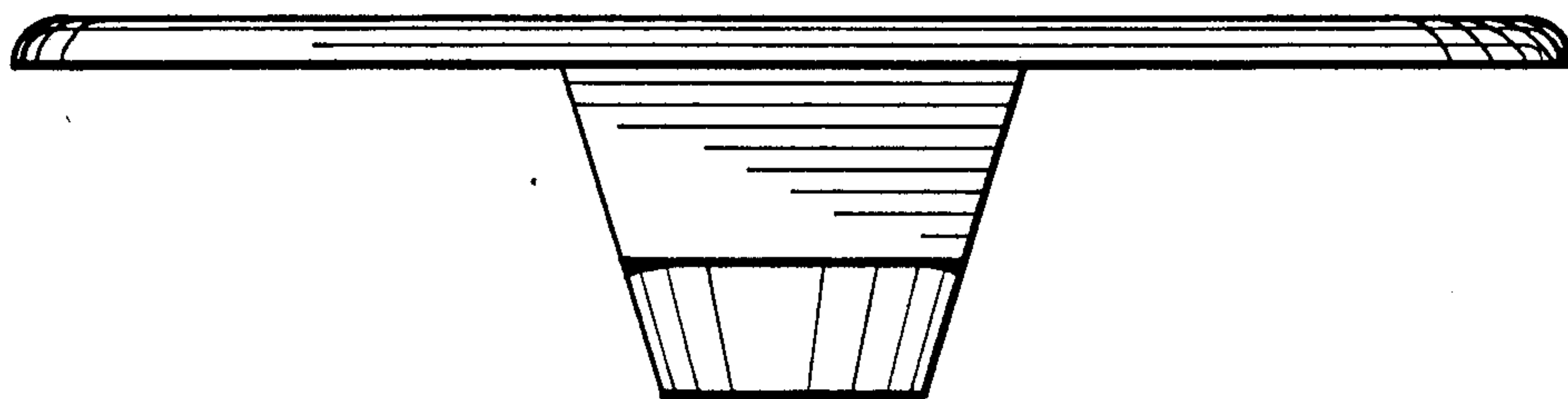
Primary Examiner—Winifred E. Herrmann
Attorney, Agent, or Firm—Jerry T. Kearns

[57] **CLAIM**

The ornamental design for a lap tray, as shown and described.

DESCRIPTION

FIG. 1 is a front elevational view of a lap tray showing my new design;
FIG. 2 is a rear elevational view thereof;
FIG. 3 is a left side elevational view thereof;
FIG. 4 is a right side elevational view thereof;
FIG. 5 is a top plan view thereof;
FIG. 6 is a bottom plan view thereof; and,
FIG. 7 is a bottom perspective view thereof.



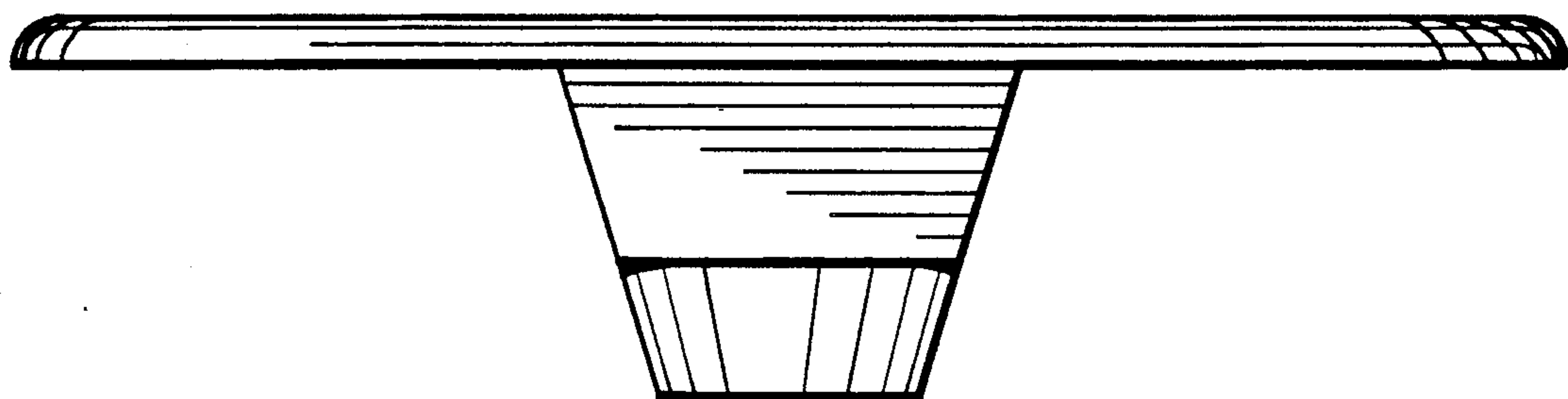


Fig. 1

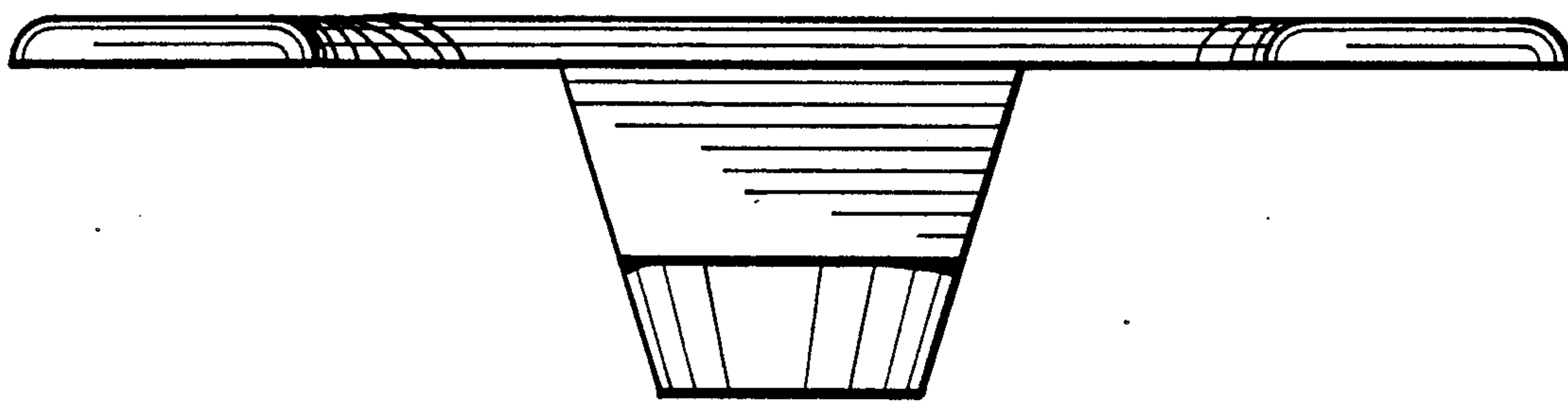


Fig. 2

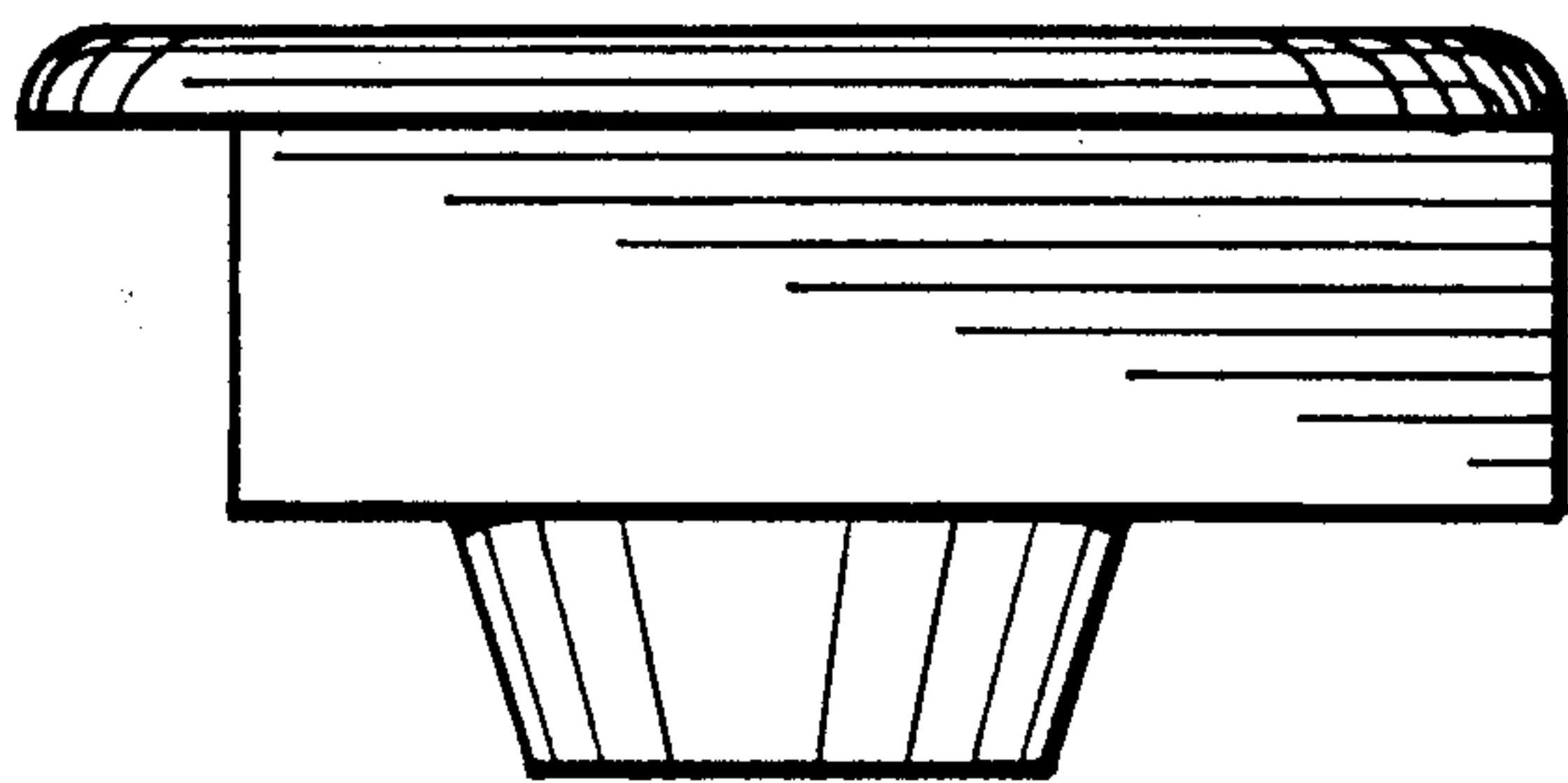


Fig. 3

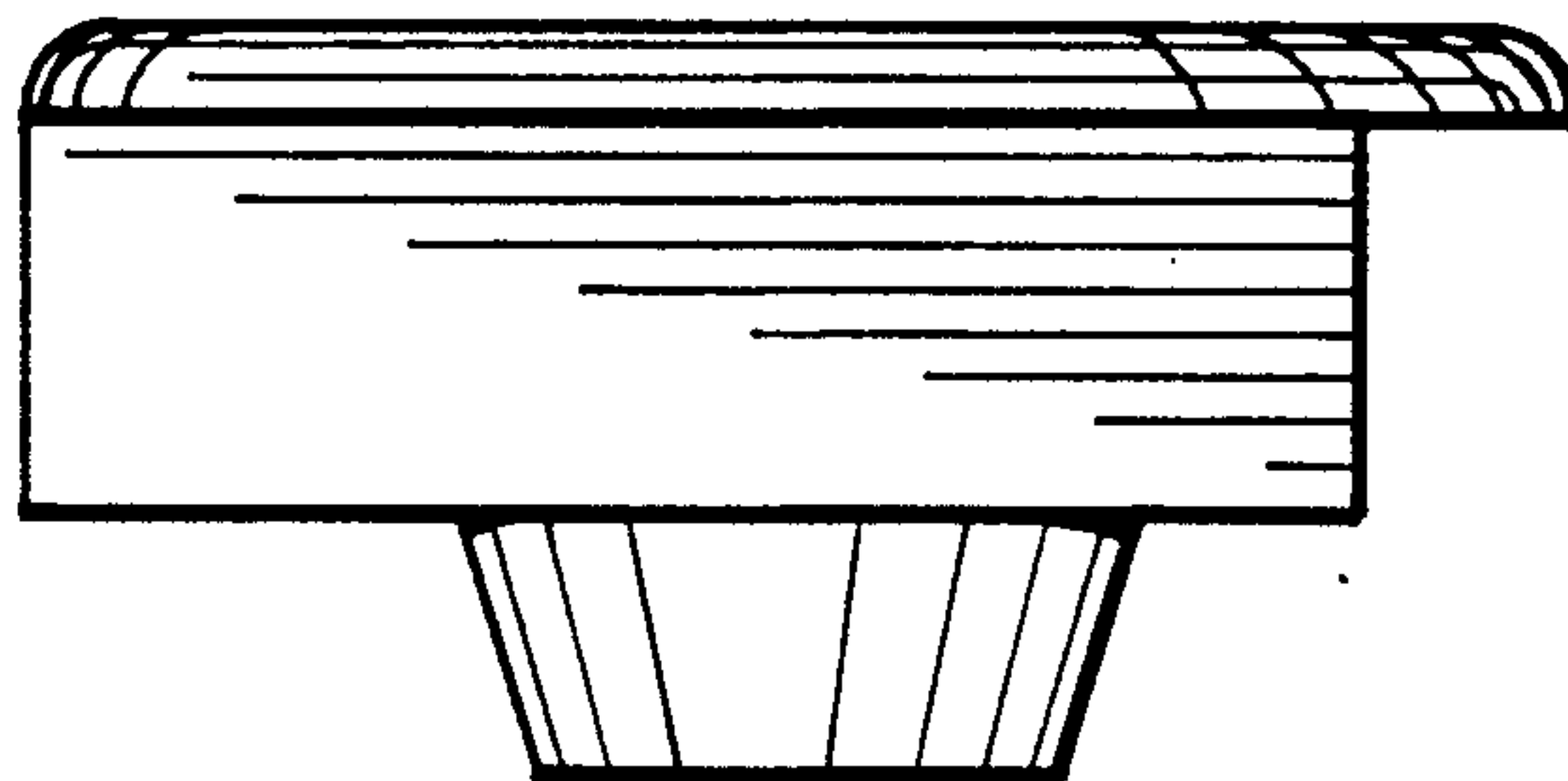


Fig. 4

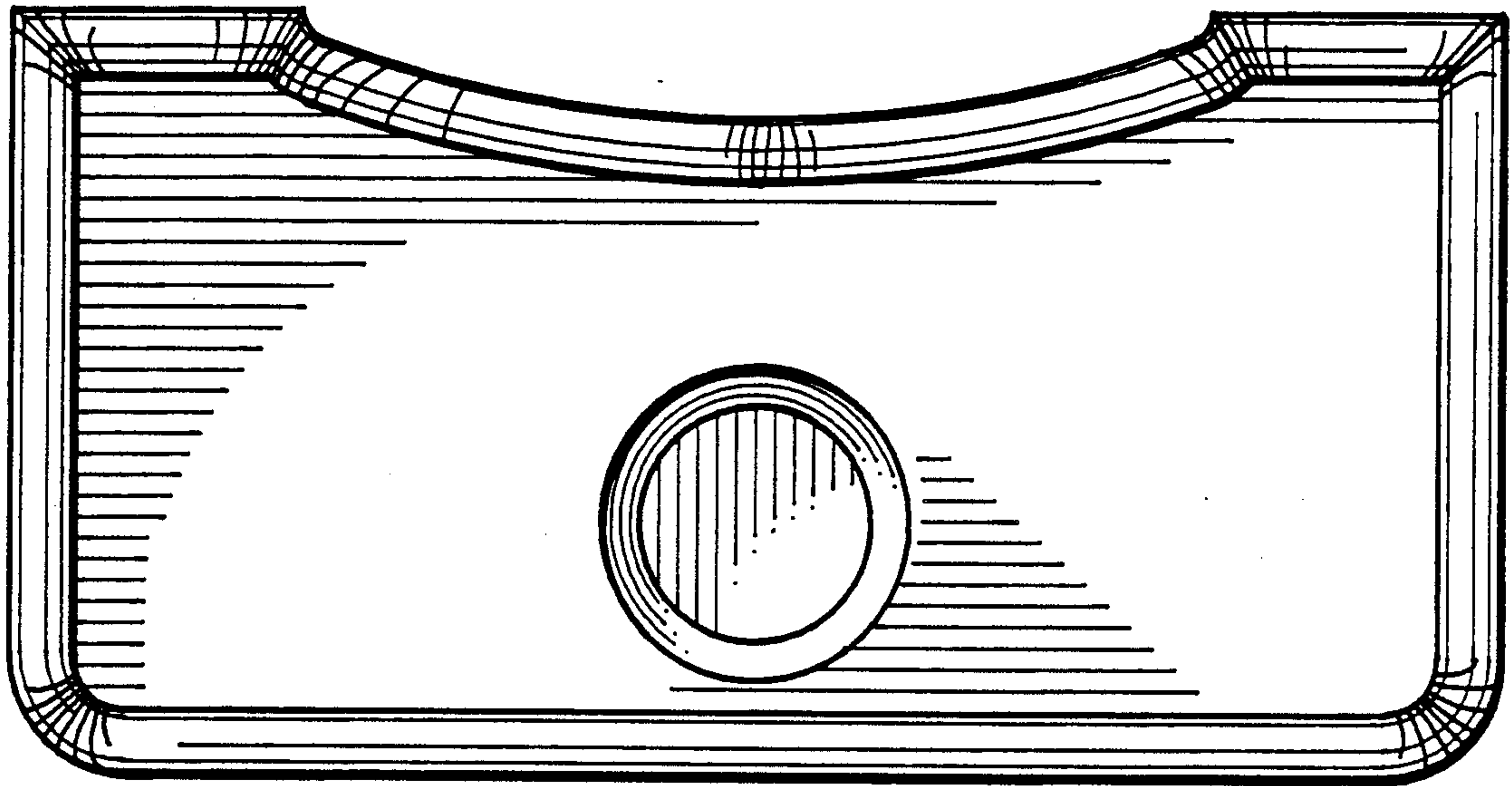


Fig. 5

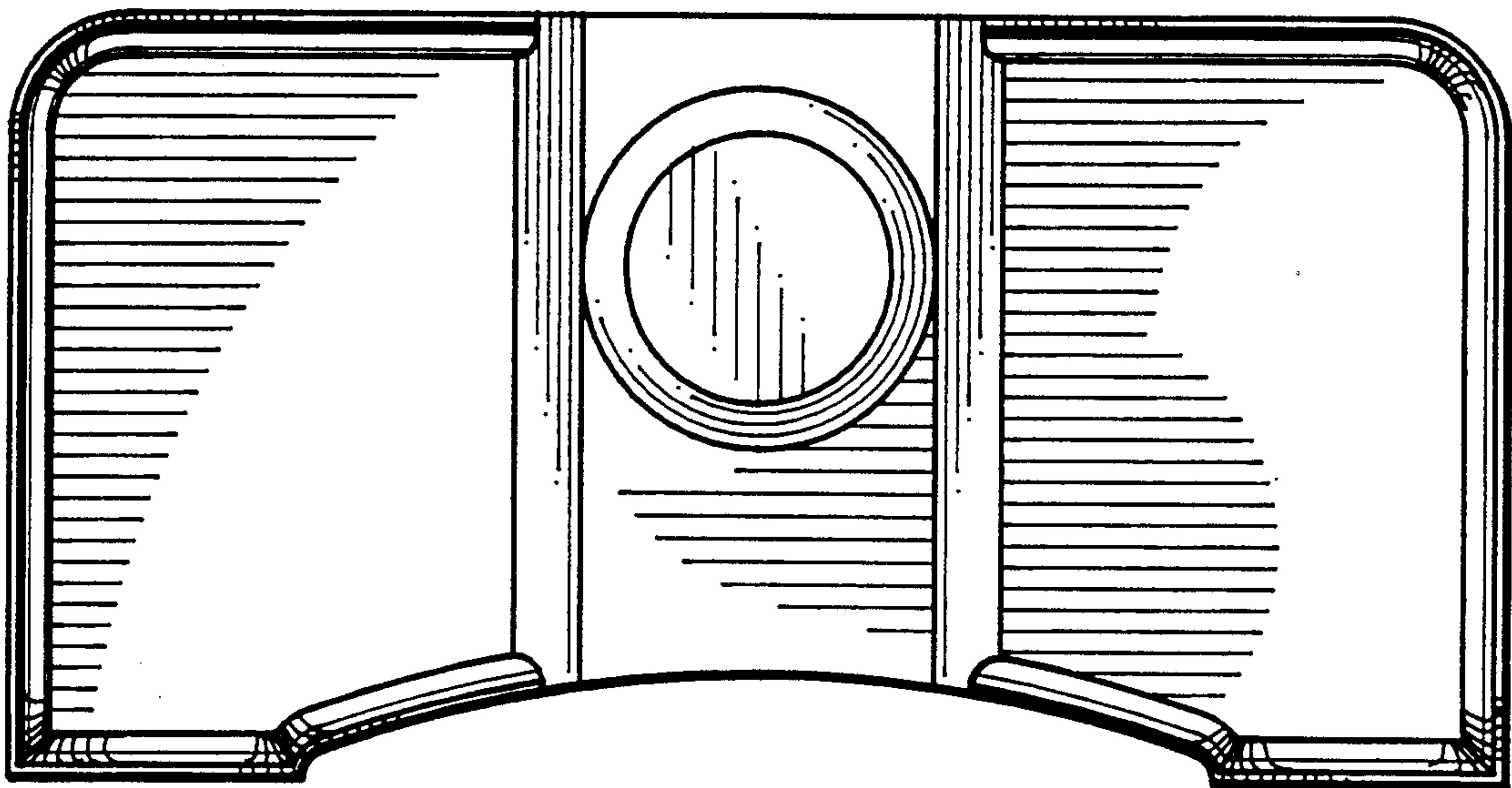


Fig. 6

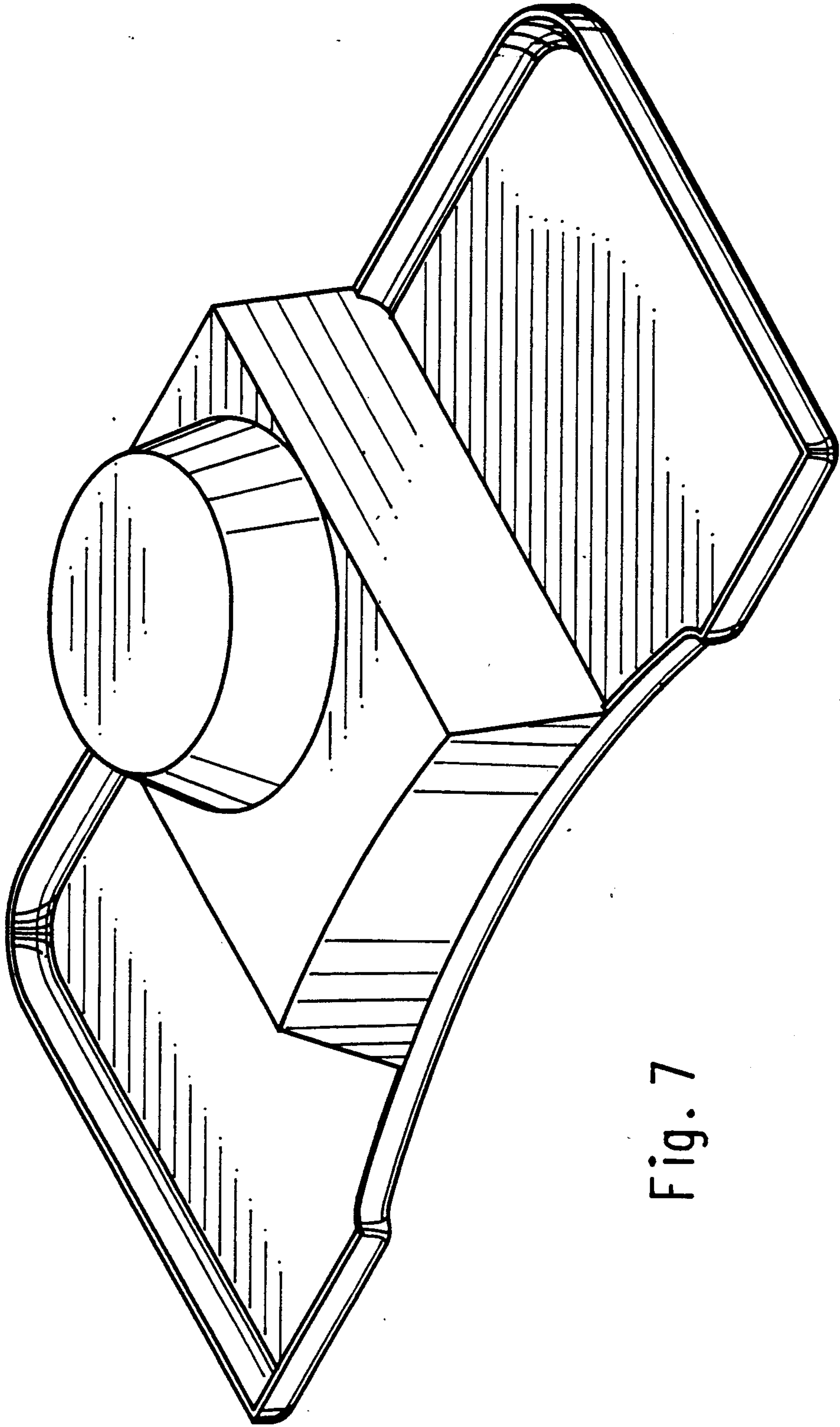


Fig. 7