

[54] **BENCH**

[75] **Inventor: Robert M. Hanna, Philadelphia, Pa.**

[73] **Assignee: Hanna/Olin, Ltd., Philadelphia, Pa.**

[**] **Term: 14 Years**

[21] **Appl. No.: 6,633**

[22] **Filed: Jan. 22, 1987**

[52] **U.S. Cl. D6/381; D6/370**

[58] **Field of Search D6/349, 370**

[56] **References Cited**

U.S. PATENT DOCUMENTS

D. 263,353 3/1982 Beals D6/370
763,617 6/1904 Lennon D6/349

OTHER PUBLICATIONS

Goshen-Lawn Traditionals, p. 11, Bench.

Primary Examiner—Bruce W. Dunkins

Assistant Examiner—Ann Hunt

Attorney, Agent, or Firm—Robert C. Podwil

[57] **CLAIM**

The ornamental design for an bench, as shown and described.

DESCRIPTION

FIG. 1 is a front perspective view of the bench showing my new design;

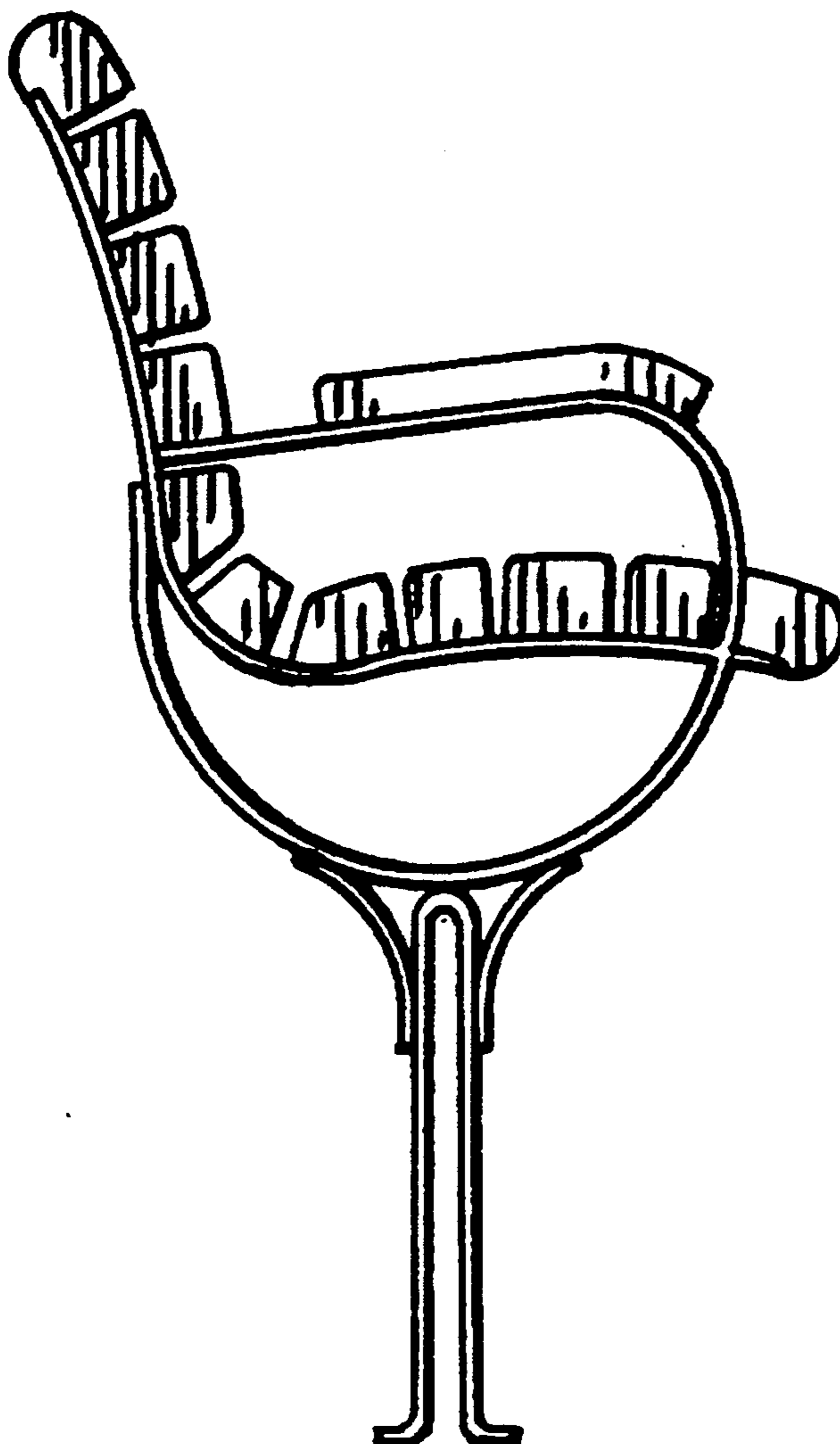
FIG. 2 is a front elevational view;

FIG. 3 is a rear elevational view;

FIG. 4 is a top plan view;

FIG. 5 is a bottom plan view; and

FIG. 6 is a side elevational view thereof.



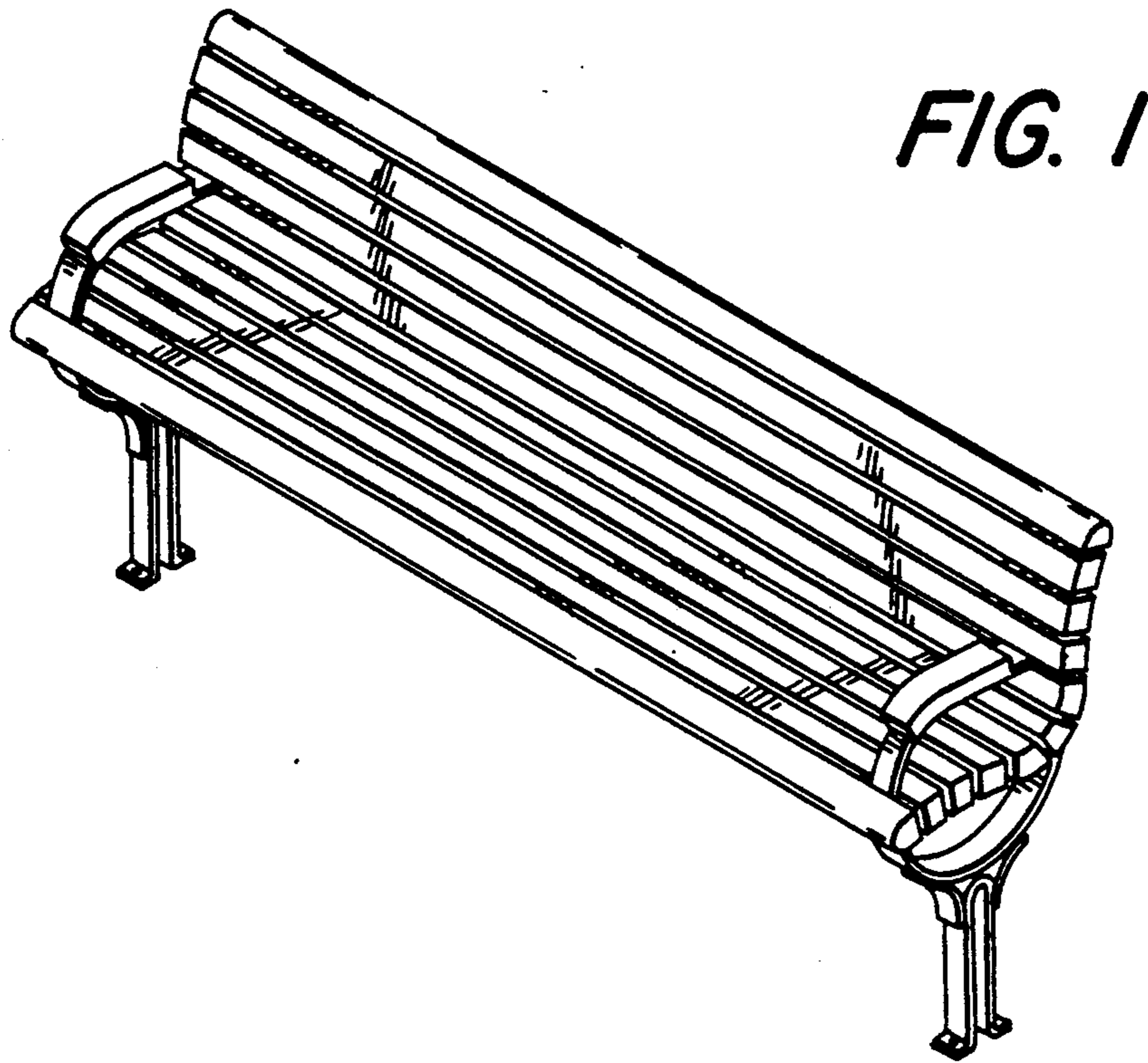
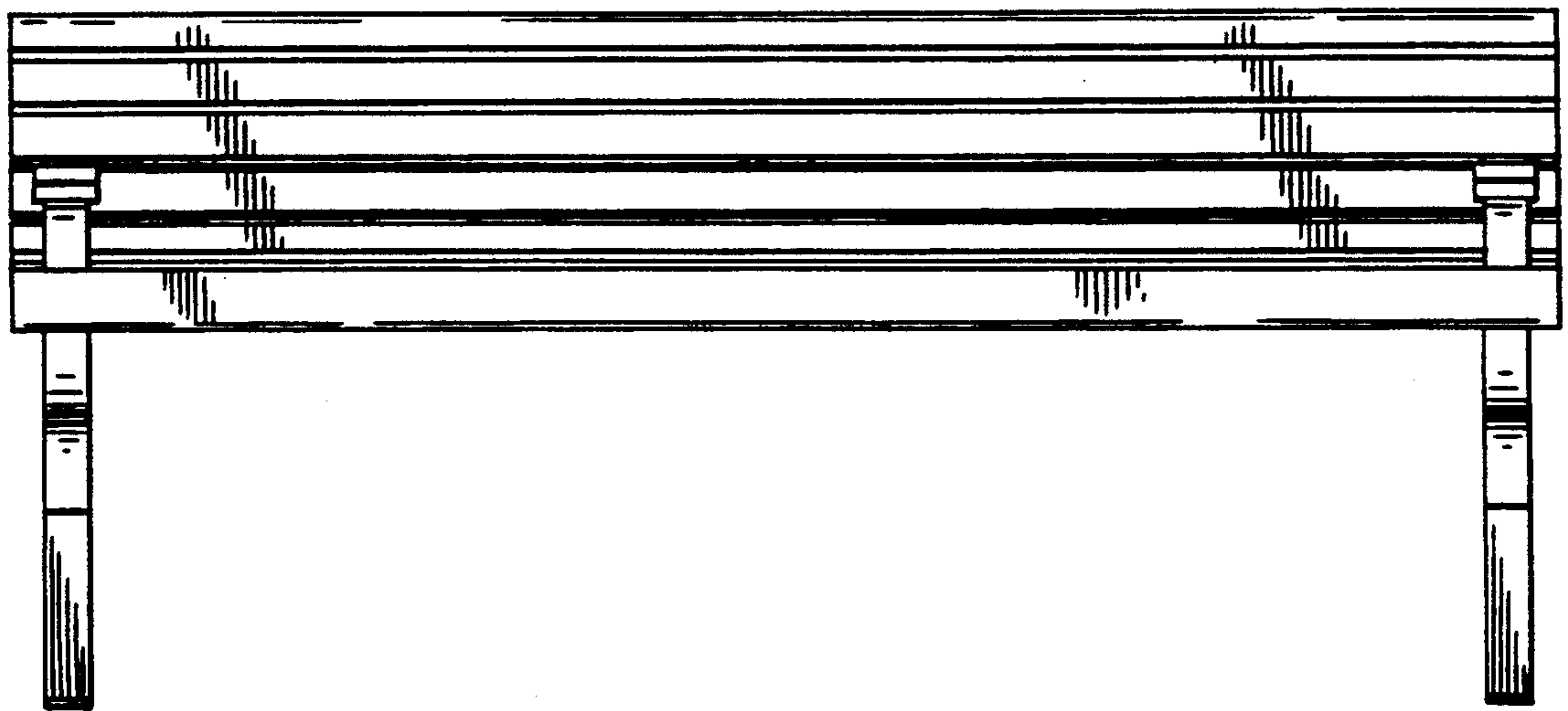


FIG. 1

FIG. 2



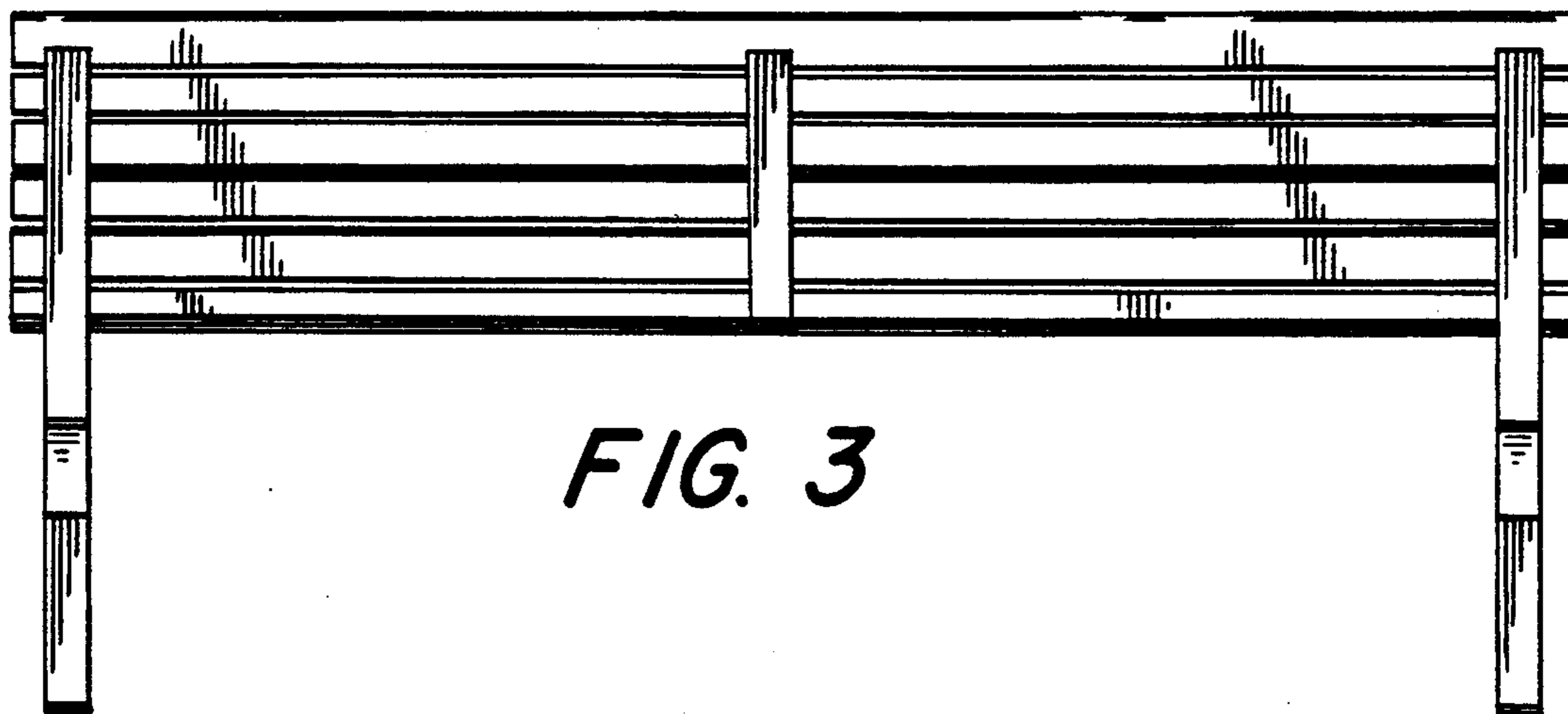


FIG. 3

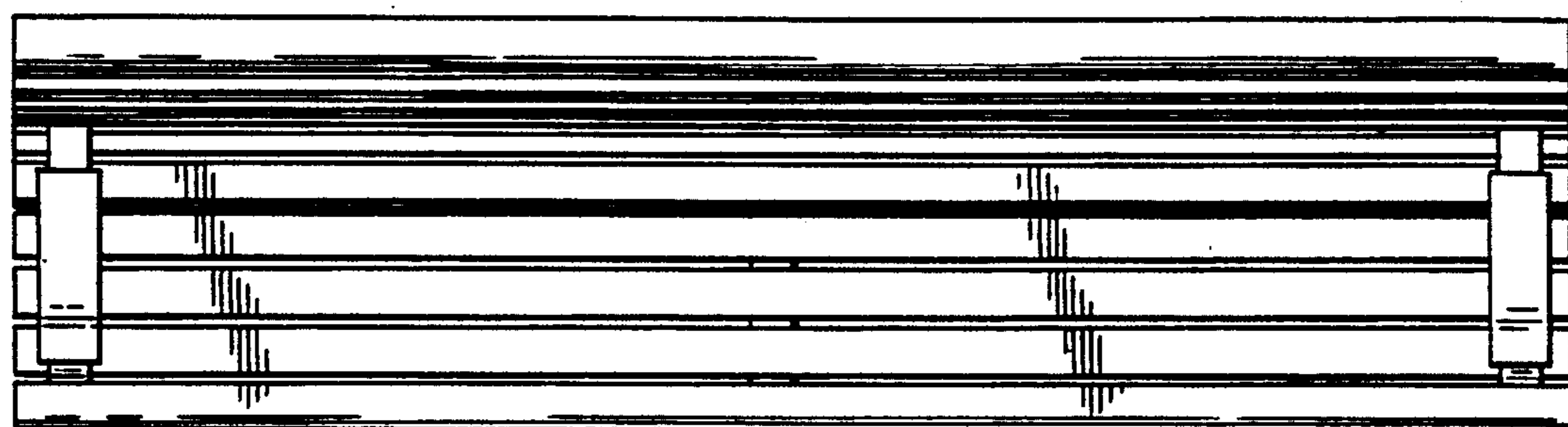


FIG. 4

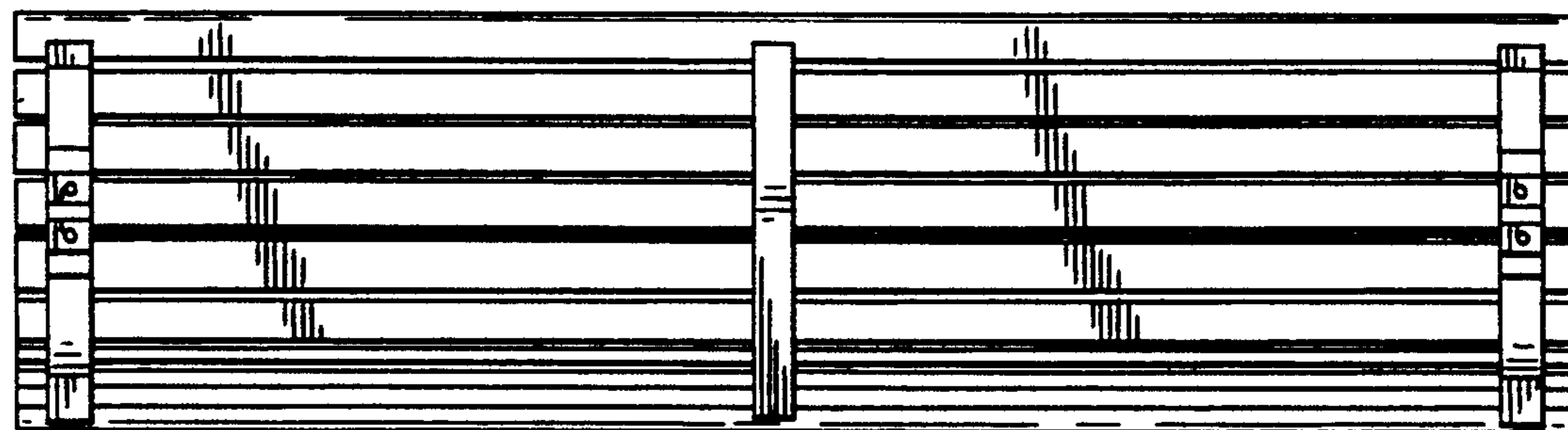


FIG. 5

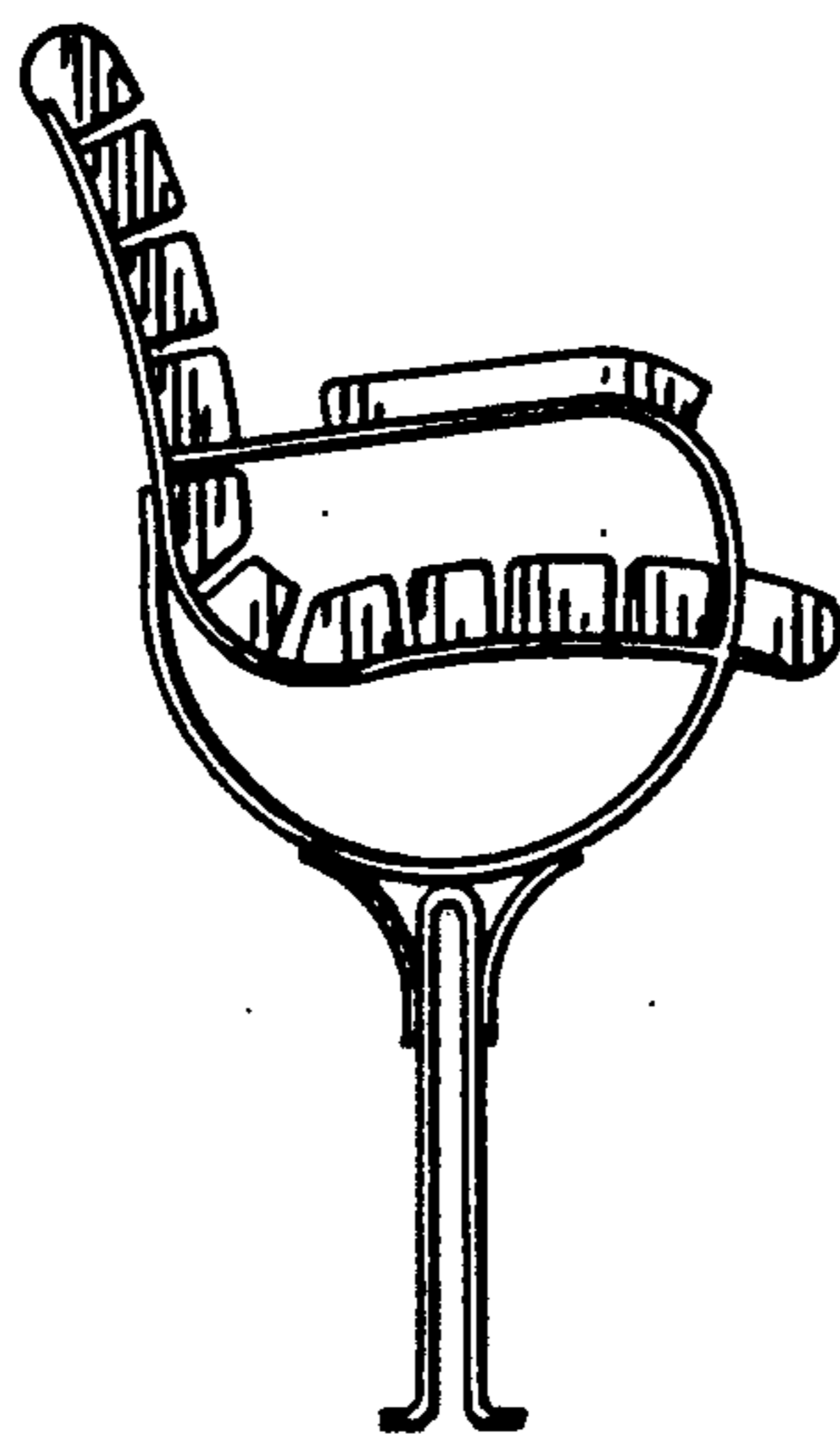


FIG. 6