

[54] WATER DRIVEN ROTARY BRUSH FOR WASHING VEHICLES

[76] Inventors: Robert A. Swanson, Rte. 9, Box 9, McMinnville, Tenn. 37110; Richard L. C. Lau, A-2402 Westlands Gardens, 4 Westlands Road, Quarry Bay, Hong Kong

[**] Term: 14 Years

[21] Appl. No.: 144,869

[22] Filed: Jan. 15, 1988

[52] U.S. Cl. D4/115

[58] Field of Search D4/100, 102, 114-115, D4/122, 130, 199; D32/40, 42, 45, 50-52; 15/22 R, 23-24, 28-29, 159 R; 401/136-140, 268-292

[56] References Cited

U.S. PATENT DOCUMENTS

- D. 117,894 12/1939 Brownstein D32/45
- D. 235,278 6/1975 Janssen D4/122
- 1,903,896 4/1933 Greenberg D4/134 X
- 2,548,653 4/1951 Cromwell 15/24 X

- 2,736,914 3/1956 Ratliff 401/281
- 3,654,656 4/1972 Romagosa 15/24
- 4,597,127 7/1986 Swanson 15/24

FOREIGN PATENT DOCUMENTS

- 53205 5/1911 Switzerland 15/159 R

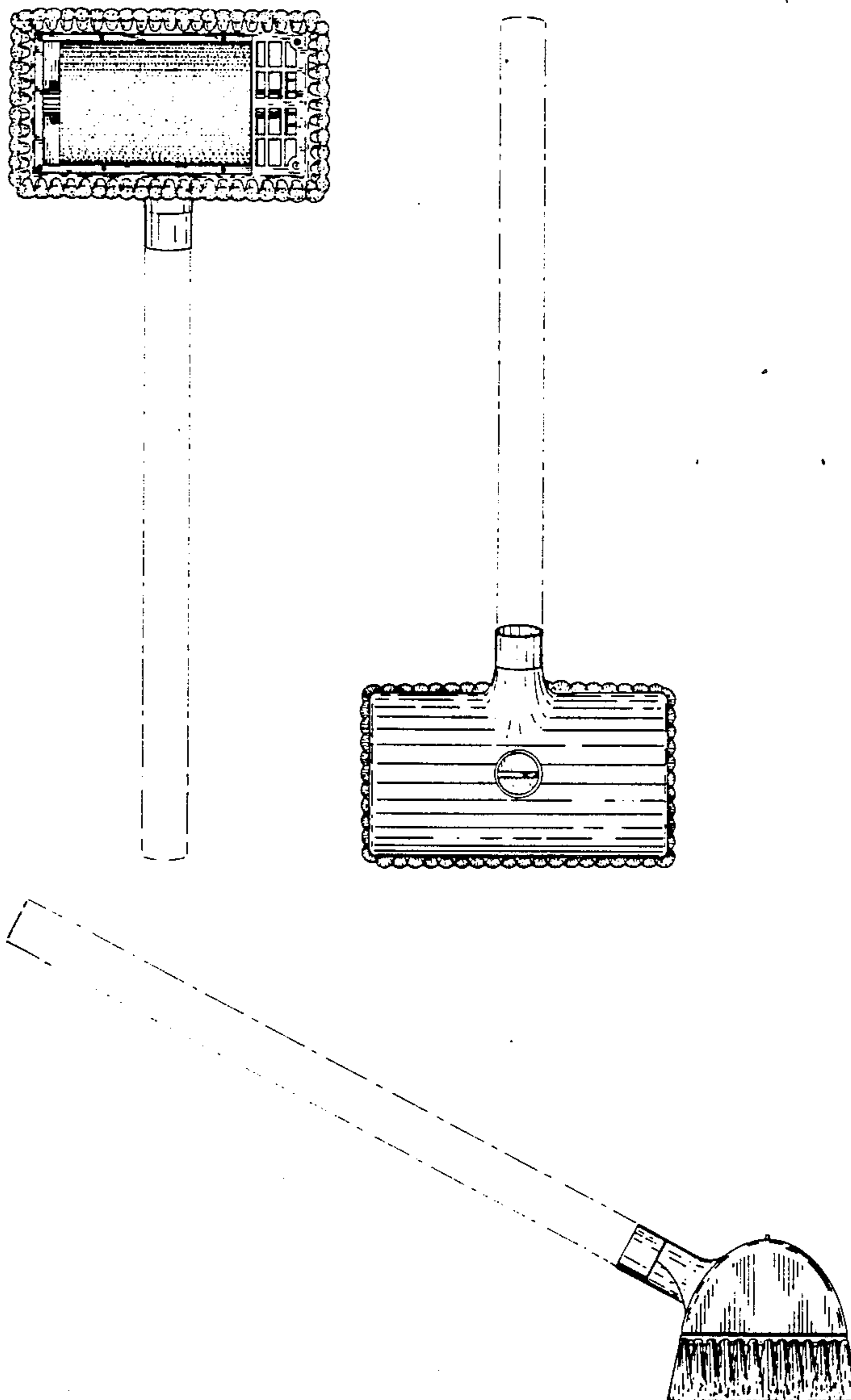
Primary Examiner—Wallace R. Burke
Assistant Examiner—Lavone D. Tabor
Attorney, Agent, or Firm—Pitts and Brittan

[57] CLAIM

The ornamental design of a water driven rotary brush for washing vehicles, as shown and described.

DESCRIPTION

FIG. 1 is a front elevational view of a water driven rotary brush for washing vehicles showing our new design; FIG. 2 is a rear elevational view thereof; FIG. 3 is a bottom plan view thereof; FIG. 4 is a top plan view thereof; and FIG. 5 is a side elevational view thereof, the opposite side being a mirror image. The broken line showing of a handle is for illustrative purposes only and forms no part of the claimed design.



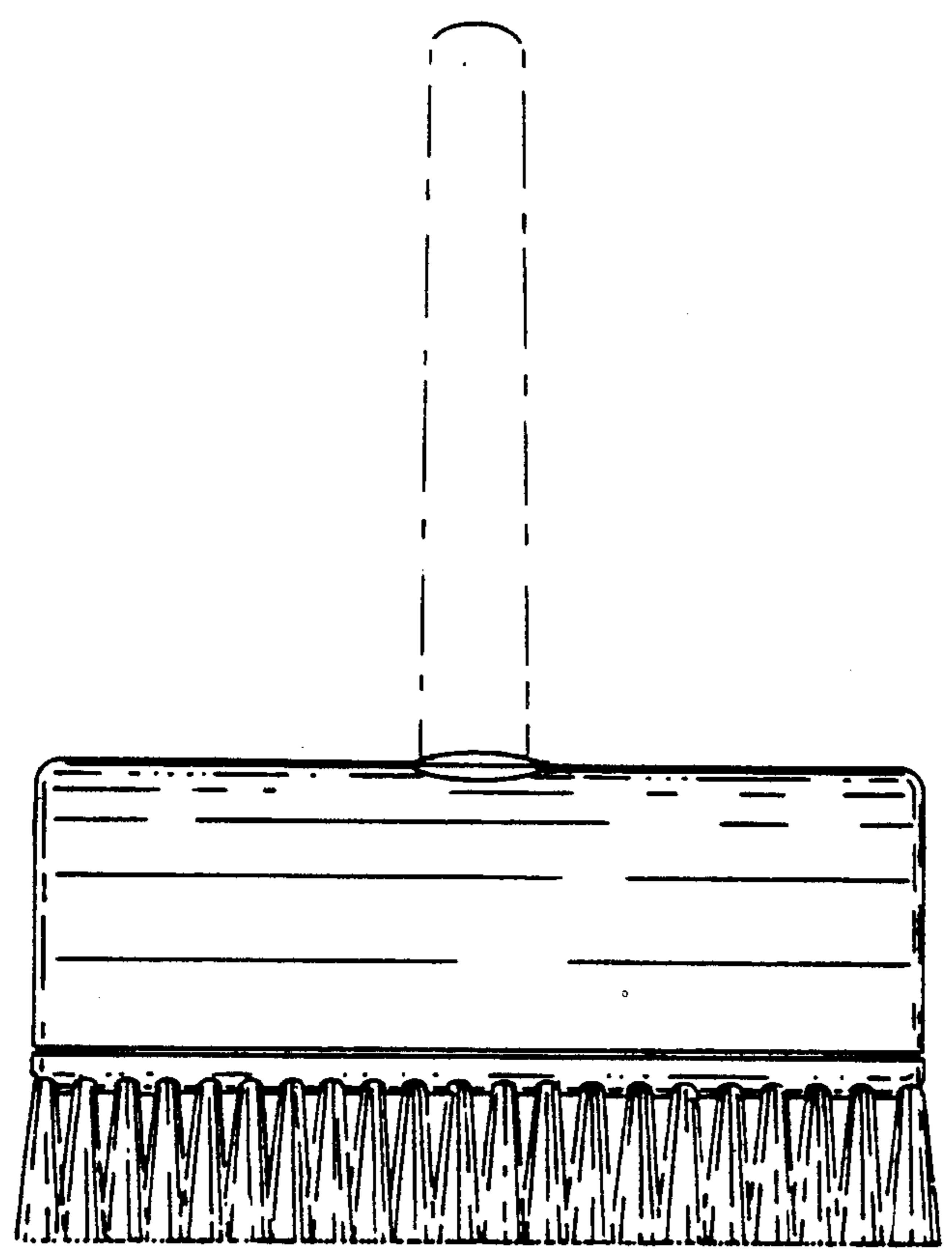


FIG. 1

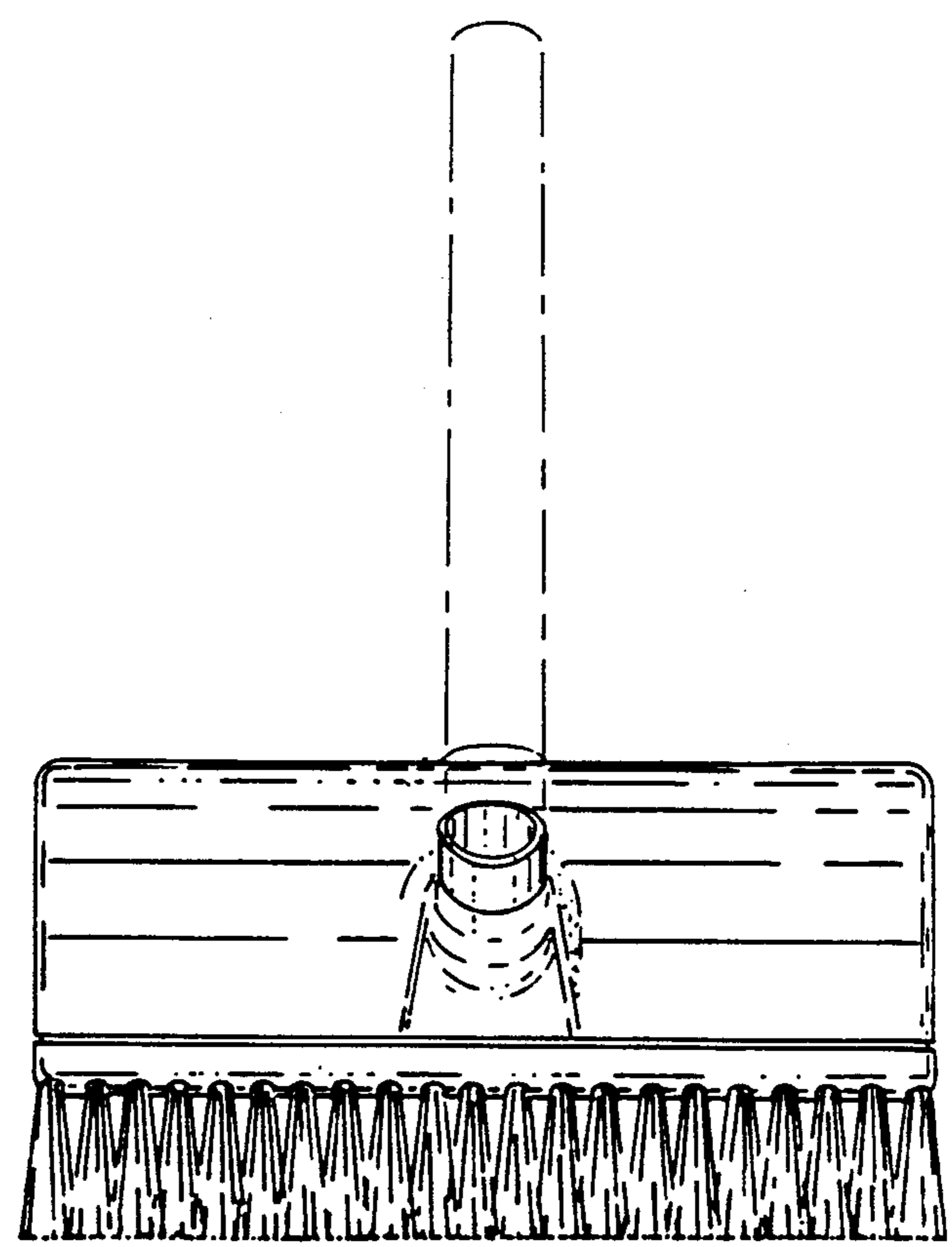


FIG. 2

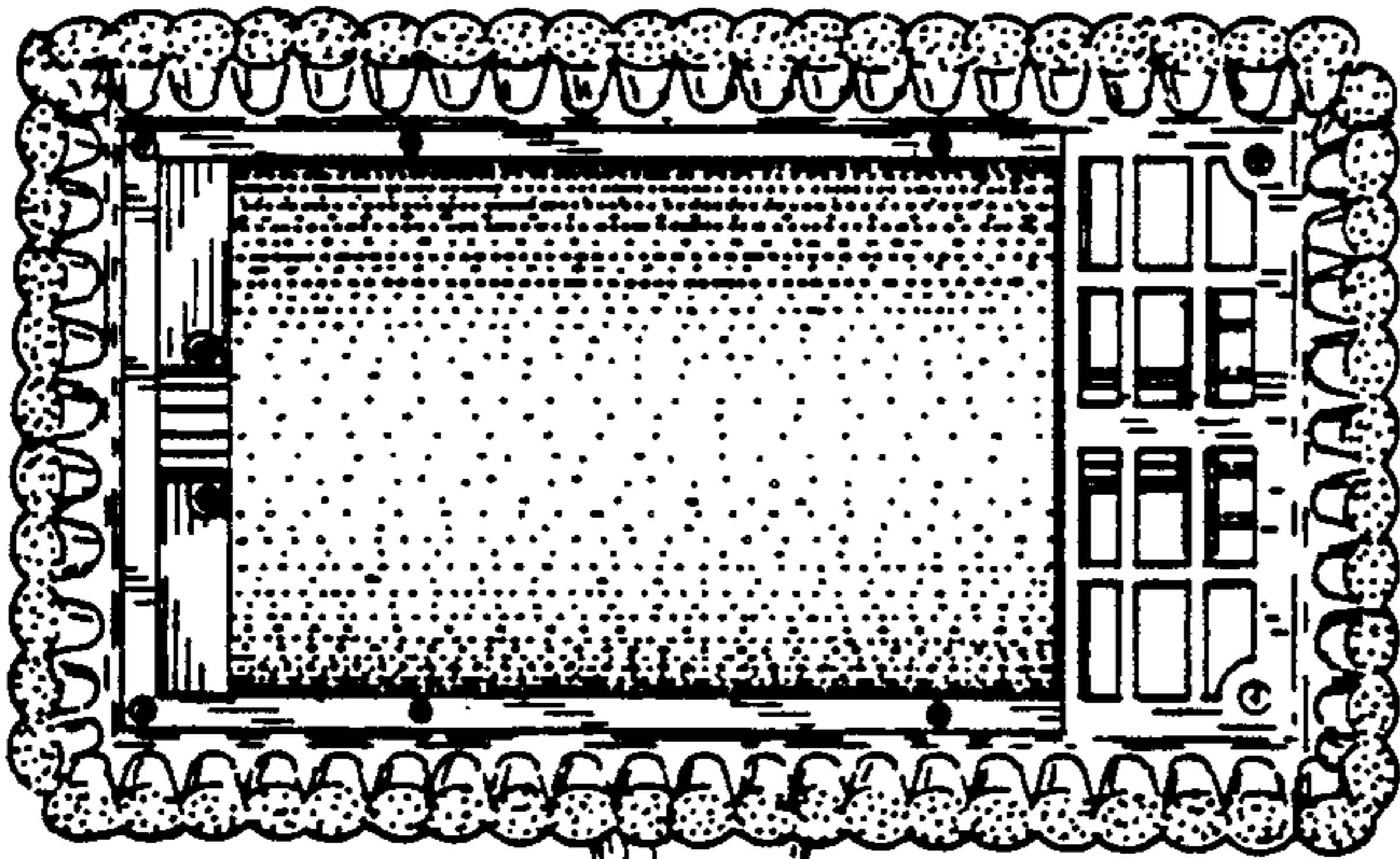
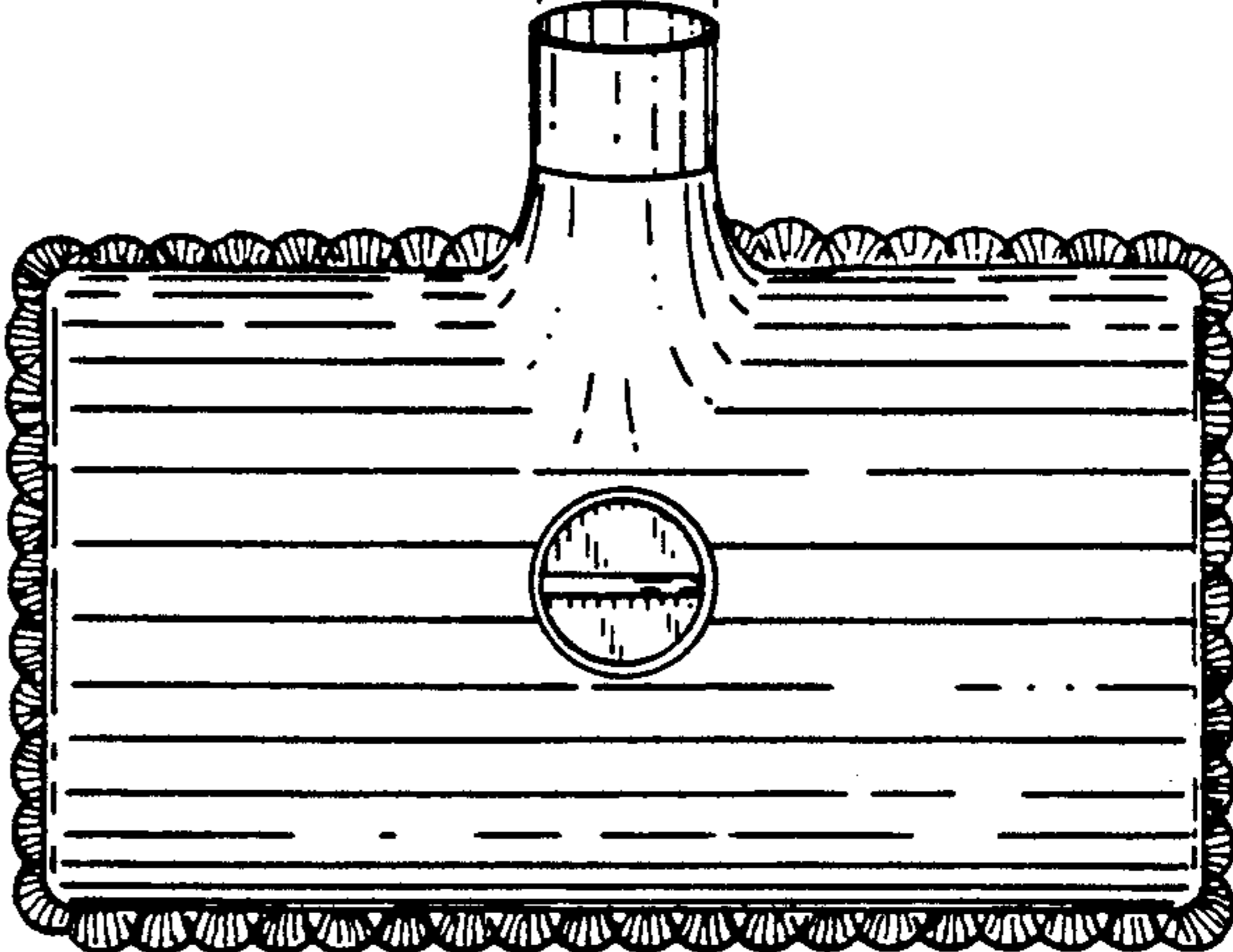


FIG. 3



FIG. 4



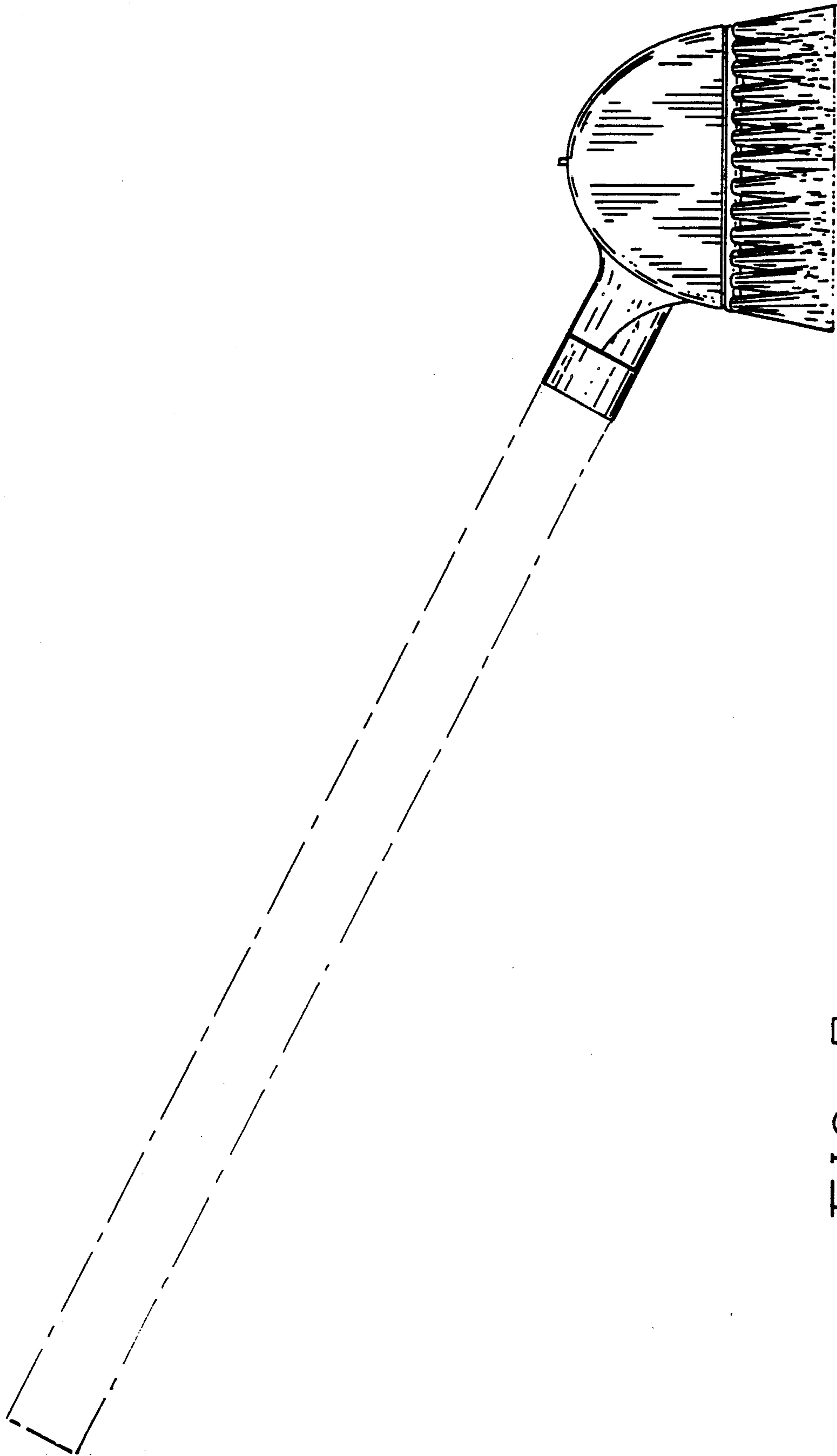


FIG. 5