

# United States Patent [19]

**Kunimune**

[11] **Patent Number: Des. 314,669**

[45] **Date of Patent: \*\* Feb. 19, 1991**

[54] **CASE**

[75] **Inventor: Noriaki Kunimune, Higashiosaka, Japan**

[73] **Assignee: Kunimune Kogyosho Co., Ltd., Osaka, Japan**

[\*\*] **Term: 14 Years**

[21] **Appl. No.: 262,674**

[22] **Filed: Oct. 26, 1988**

[30] **Foreign Application Priority Data**

Apr. 26, 1988 [JP] Japan ..... 53-17200

[52] **U.S. Cl. .... D3/76; D3/72**

[58] **Field of Search .... D3/73, 71, 76, 72, 74; 190/100, 109, 110, 112, 900, 901, 122, 111, 119**

[56] **References Cited**

**U.S. PATENT DOCUMENTS**

D. 194,339 1/1963 Harty, Jr. et al. .... D3/76 X

D. 196,955 11/1963 Parsell ..... D3/76 X  
D. 275,531 9/1984 Petrie ..... D3/76  
3,565,305 2/1971 Belokin, Jr. .... 190/109 X

*Primary Examiner*—Louis S. Zarfes

*Assistant Examiner*—M. N. Pandozzi

*Attorney, Agent, or Firm*—Birch, Stewart, Kolasch & Birch

[57] **CLAIM**

The ornamental design for a case, as shown and described.

**DESCRIPTION**

FIG. 1 is a top plan view of a case with the bottom view being identical thereto, showing my new design;

FIG. 2 is a top perspective view of the case;

FIG. 3 is a top perspective view of the case in an open position;

FIG. 4 is a rear view of the case, the front view being a mirror image thereof; and

FIG. 5 is a left side view of the case with the right side view being identical thereto.

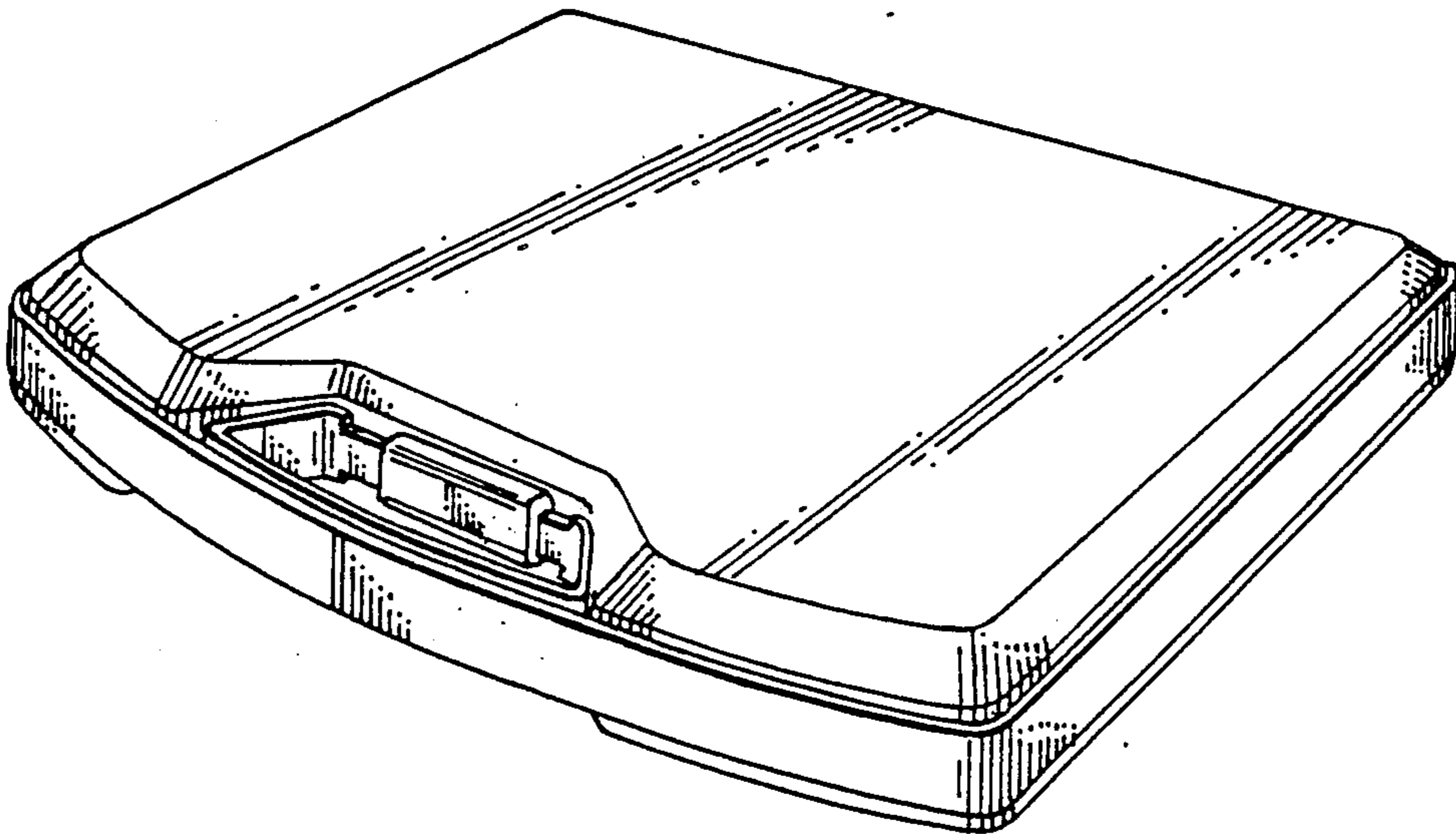


FIG. 1

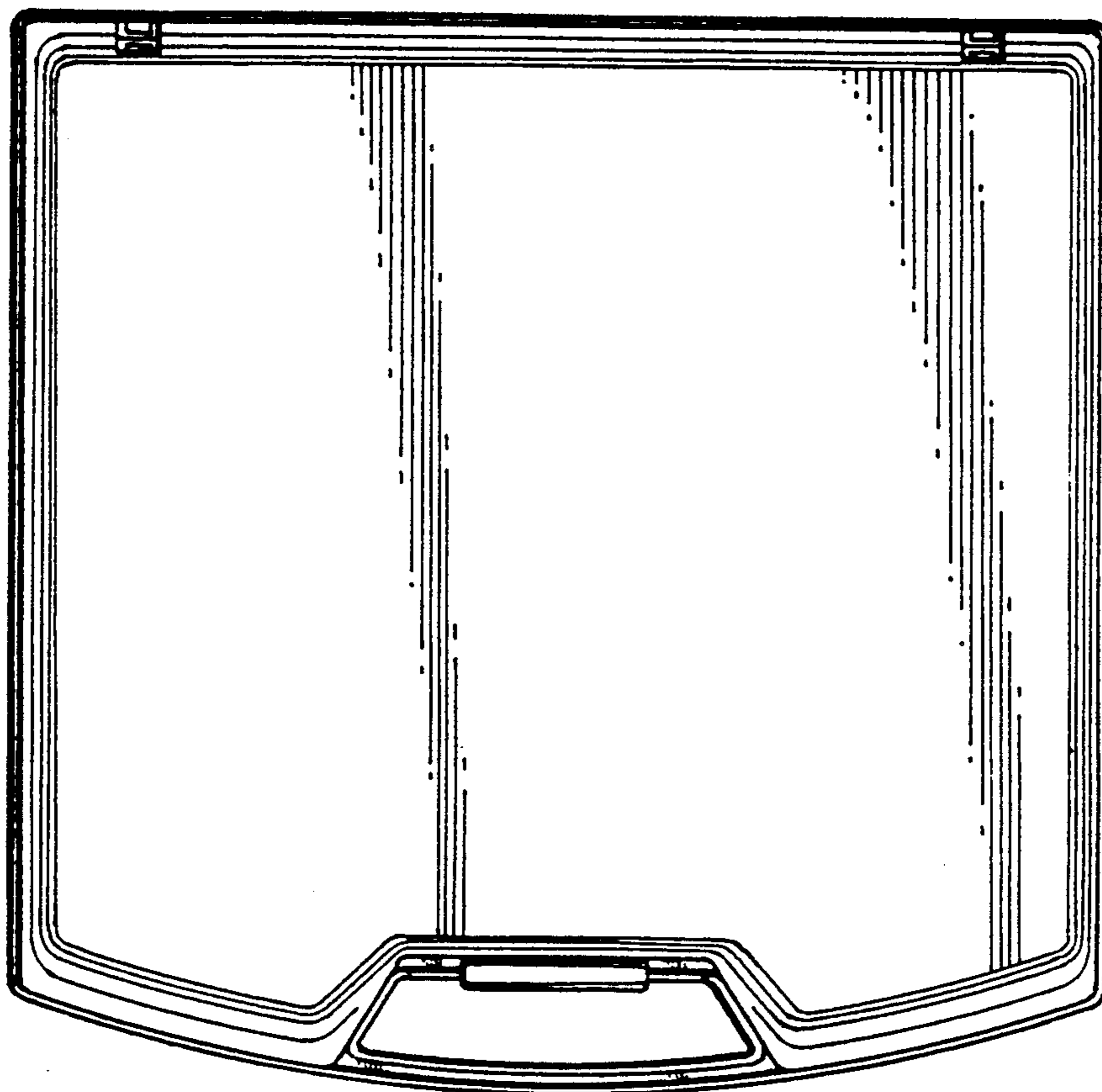


FIG. 2

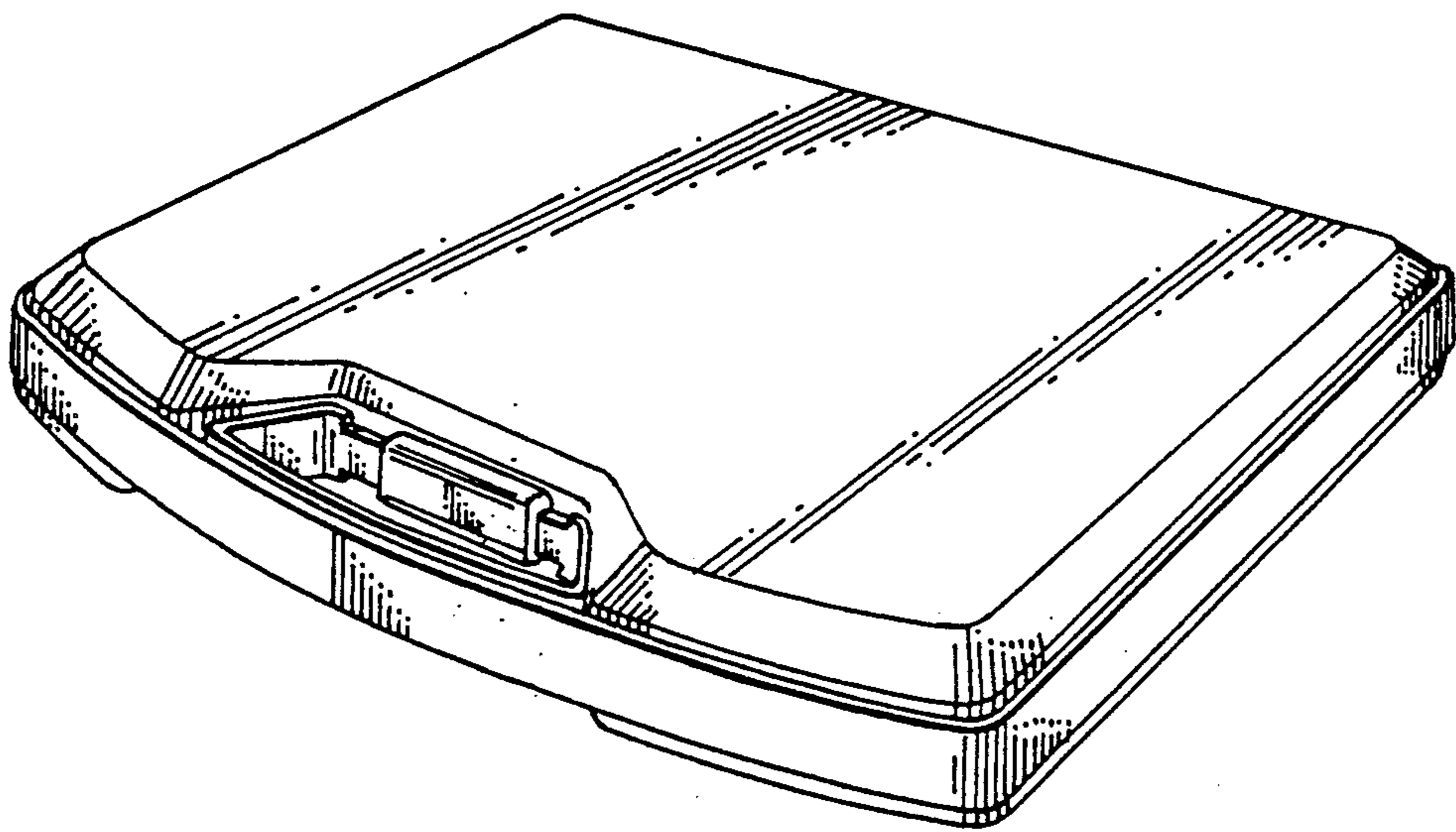


FIG. 3

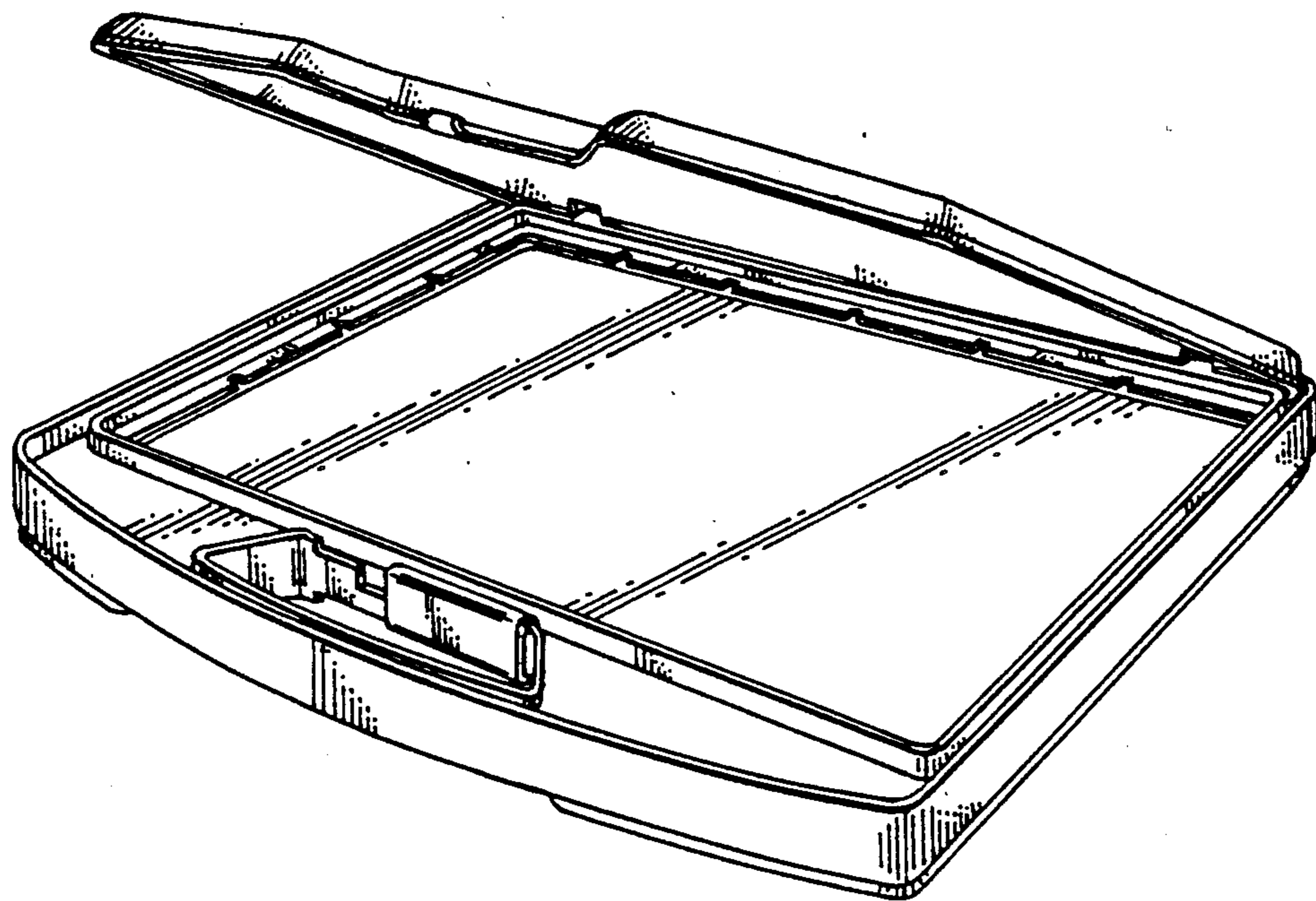


FIG. 5



FIG. 4

