

[54] **ATTACHE CASE**  
[75] **Inventor: Michael A. Cousins, New York, N.Y.**  
[73] **Assignee: Tumi Imports, Middlesex, N.J.**  
[\*\*] **Term: 14 Years**  
[21] **Appl. No.: 217,762**  
[22] **Filed: Jul. 5, 1988**  
[52] **U.S. Cl. .... D3/76; D3/72**  
[58] **Field of Search .... D3/73, 76, 72, 71, 74;**  
**190/100, 109, 110, 112, 16, 900; 206/387**

3,057,388 10/1962 Lifton ..... 190/900 X  
4,223,787 9/1980 Lowry et al. .... 206/387

*Primary Examiner*—Louis S. Zarfes  
*Assistant Examiner*—M. N. Pandozzi  
*Attorney, Agent, or Firm*—Lerner, David, Littenberg,  
Krumholz & Mentlik

[57] **CLAIM**

The ornamental design for an attache case, as shown and described.

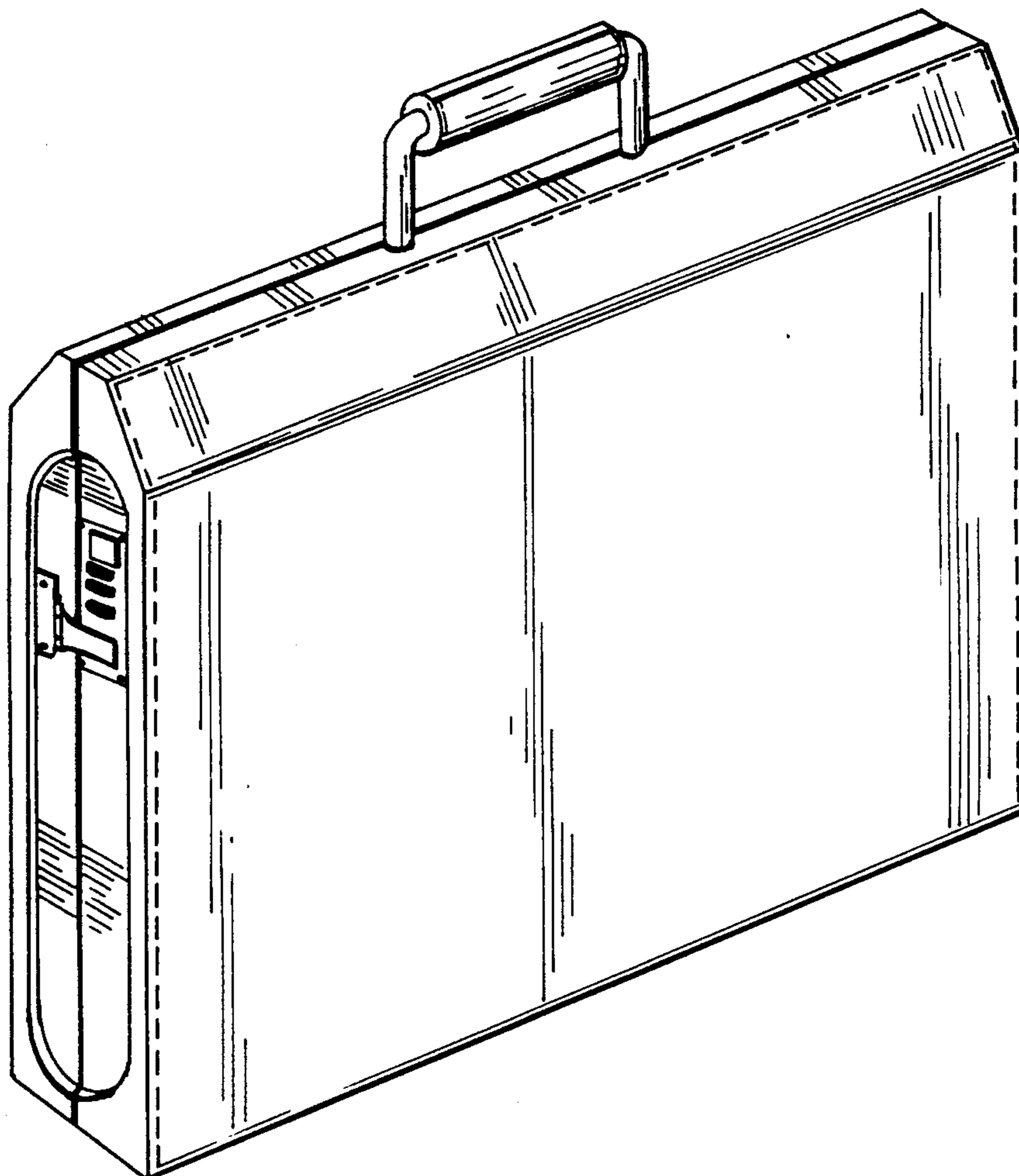
**DESCRIPTION**

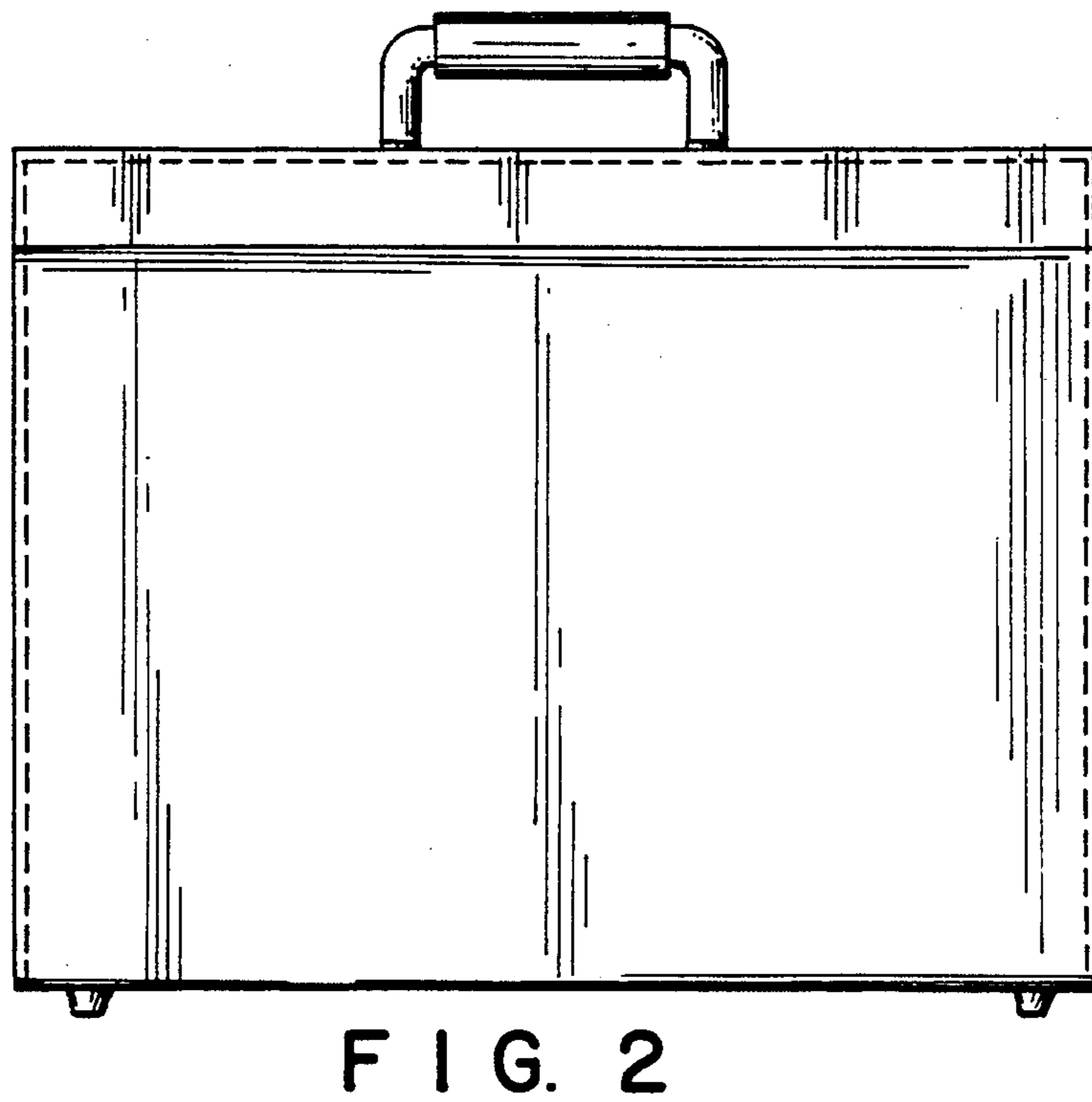
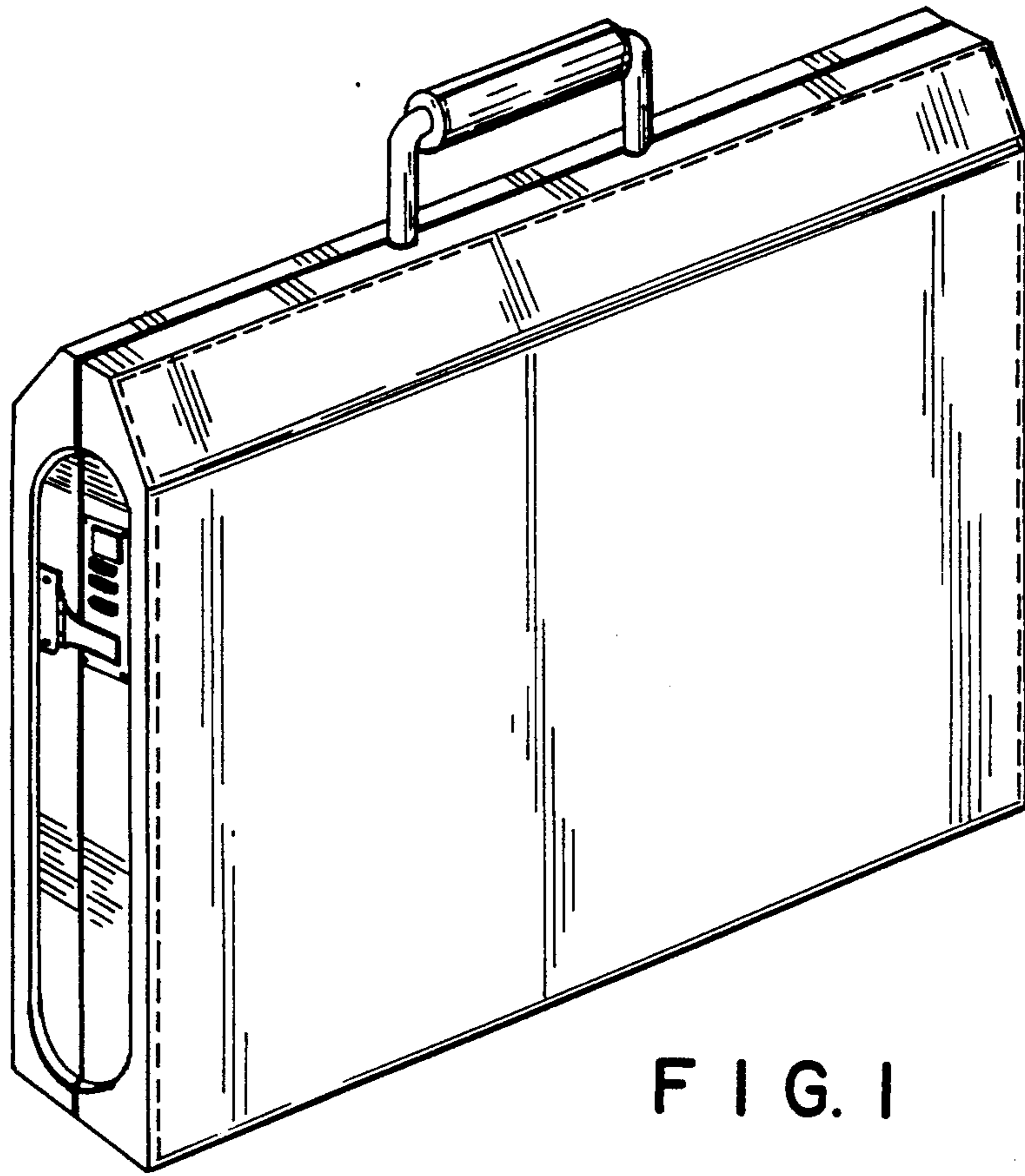
FIG. 1 is a perspective view of an attache case showing my new design;  
FIG. 2 is a front elevational view thereof, the rear view being a mirror image thereof;  
FIG. 3 is a left side elevational view thereof;  
FIG. 4 is a right side elevational view thereof;  
FIG. 5 is a top plan view thereof;  
FIG. 6 is a bottom plan view thereof.

[56] **References Cited**

**U.S. PATENT DOCUMENTS**

D. 222,444 11/1971 Ikuta et al. .... D3/76 X  
D. 225,590 12/1972 Valaguzza ..... D3/76  
D. 275,911 10/1984 Hasuike ..... D3/76  
D. 286,231 10/1986 Werk ..... D3/72  
1,951,527 3/1934 Oas ..... 190/109





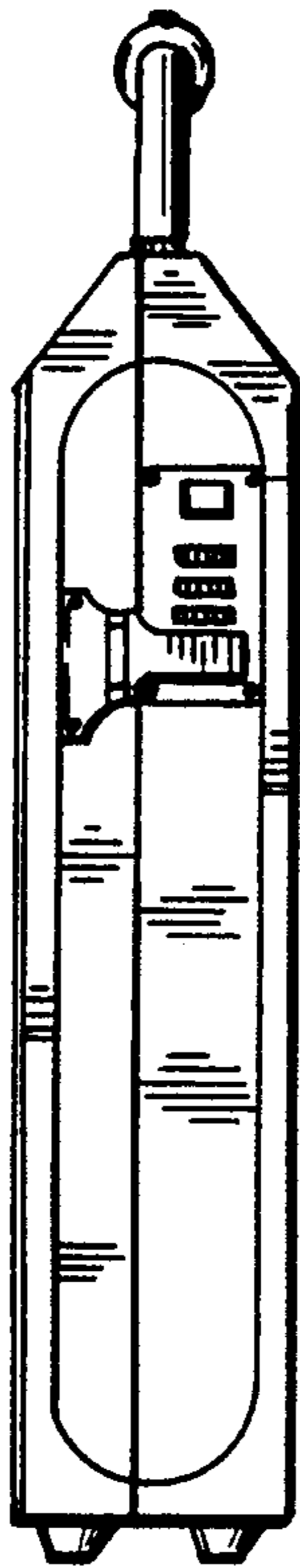


FIG. 3

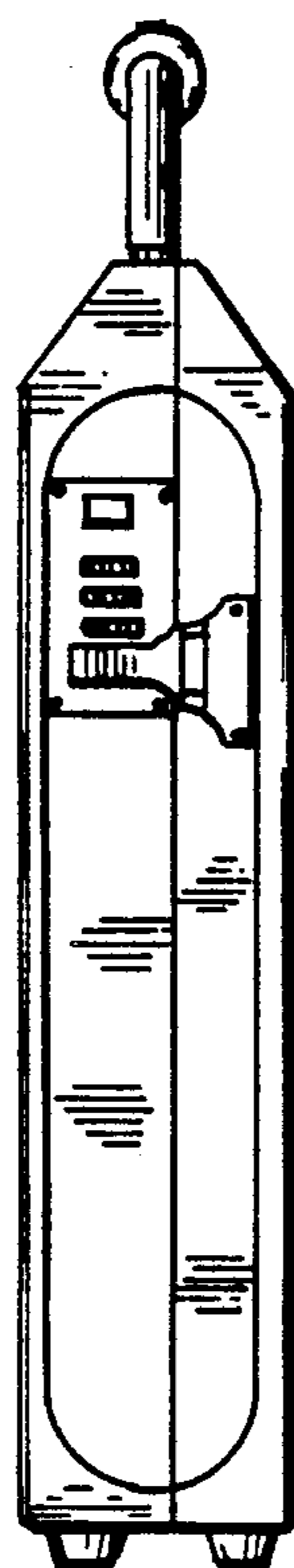


FIG. 4

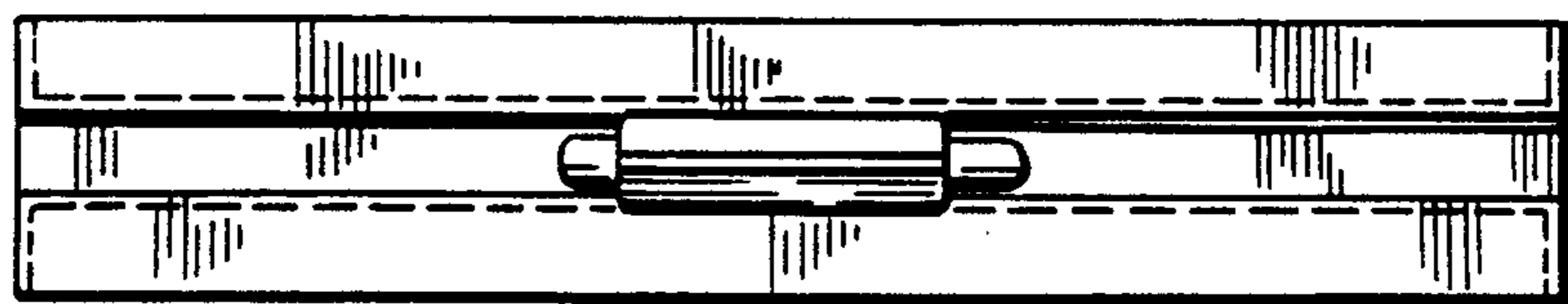


FIG. 5

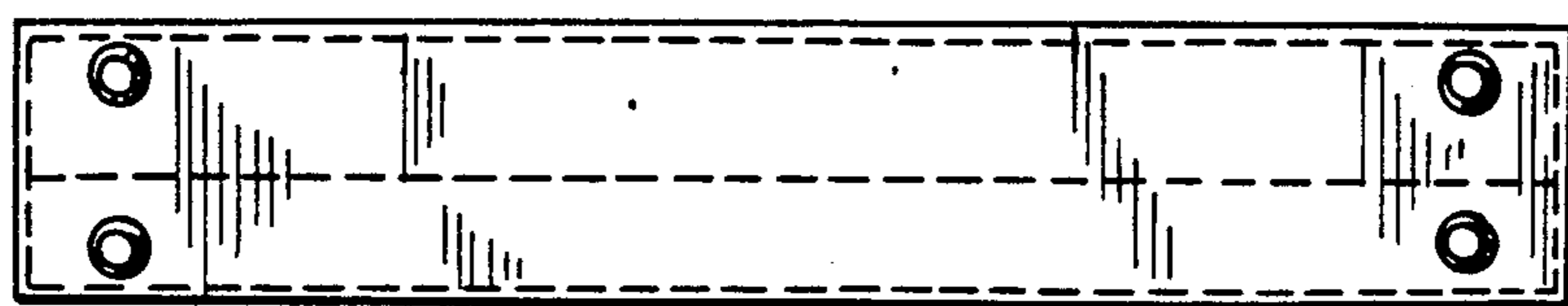


FIG. 6