

[54] **CASE**

[75] **Inventor:** Mukhtar F. Hussain, Slough,  
England  
[73] **Assignee:** Alia Mouldings Limited, England  
[\*\*] **Term:** 14 Years  
[21] **Appl. No.:** 291,196  
[22] **Filed:** Dec. 28, 1988

[30] **Foreign Application Priority Data**

Nov. 24, 1988 [GB] United Kingdom ..... 1055181  
[52] **U.S. Cl.** ..... D3/73; D3/74;  
D3/76  
[58] **Field of Search** ..... D3/76, 74, 71, 72, 73,  
D3/75, 78, 39; 150/147; 190/110, 112, 16, 122,  
100, 109, 902, 900, 901, 102, 119, 107; 206/570,  
387

[56]

**References Cited**

**U.S. PATENT DOCUMENTS**

D. 220,151 3/1971 Waters ..... D3/39 X  
D. 220,233 3/1971 Schurman ..... D3/78  
D. 236,291 8/1975 Schurman ..... D3/76 X  
3,612,335 10/1971 Schurman ..... D3/74 X

*Primary Examiner*—Louis S. Zarfaz  
*Assistant Examiner*—M. N. Pandozzi  
*Attorney, Agent, or Firm*—Oliff & Berridge

[57]

**CLAIM**

The ornamental design for a case, as shown.

**DESCRIPTION**

FIG. 1 is a front left perspective view of a case showing my new design;  
FIG. 2 is a top plan view thereof;  
FIG. 3 is a rear elevational view thereof;  
FIG. 4 is a bottom plan view thereof;  
FIG. 5 is a front left perspective view in open position.

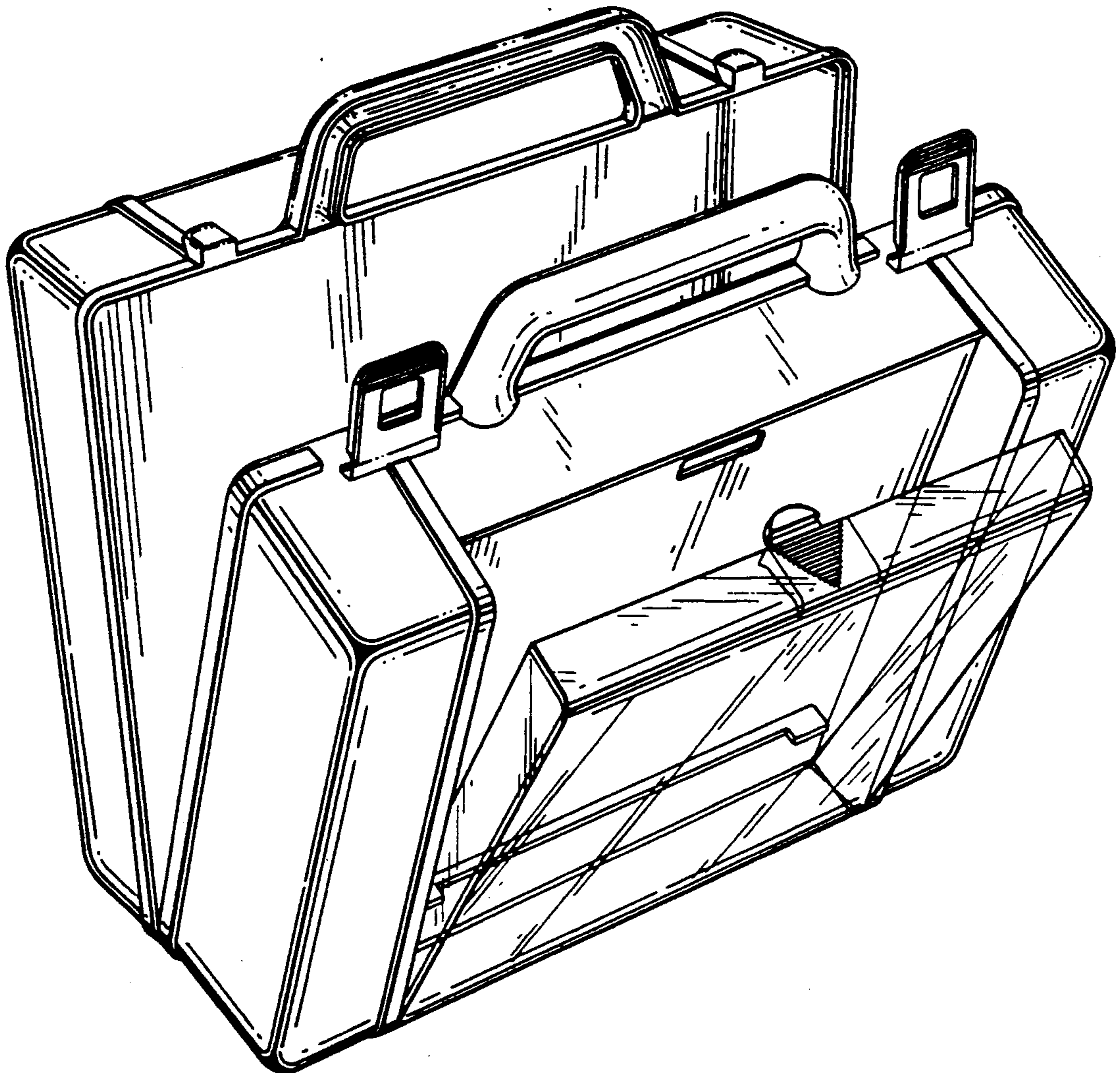


FIG. 1.

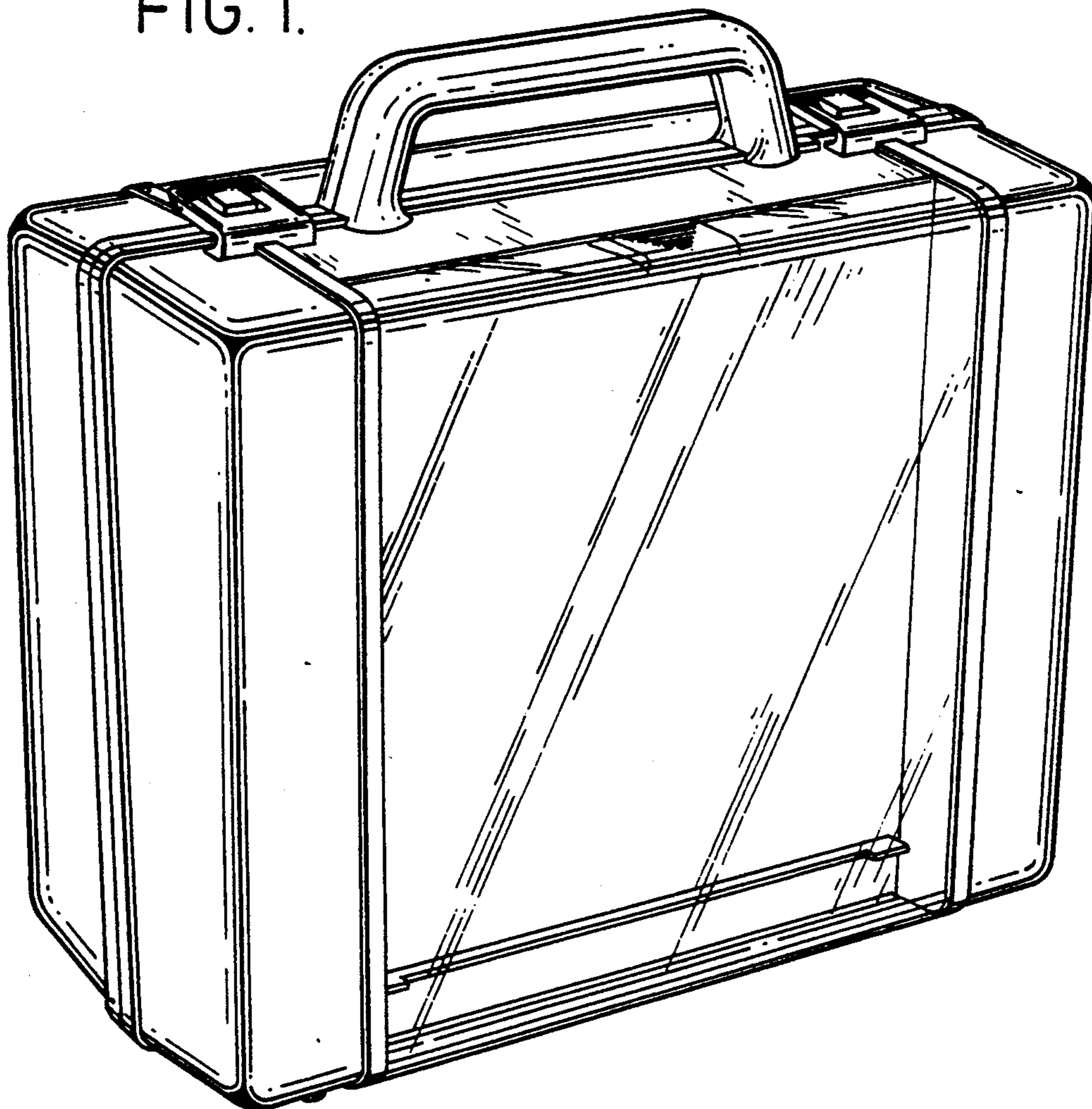


FIG. 2.

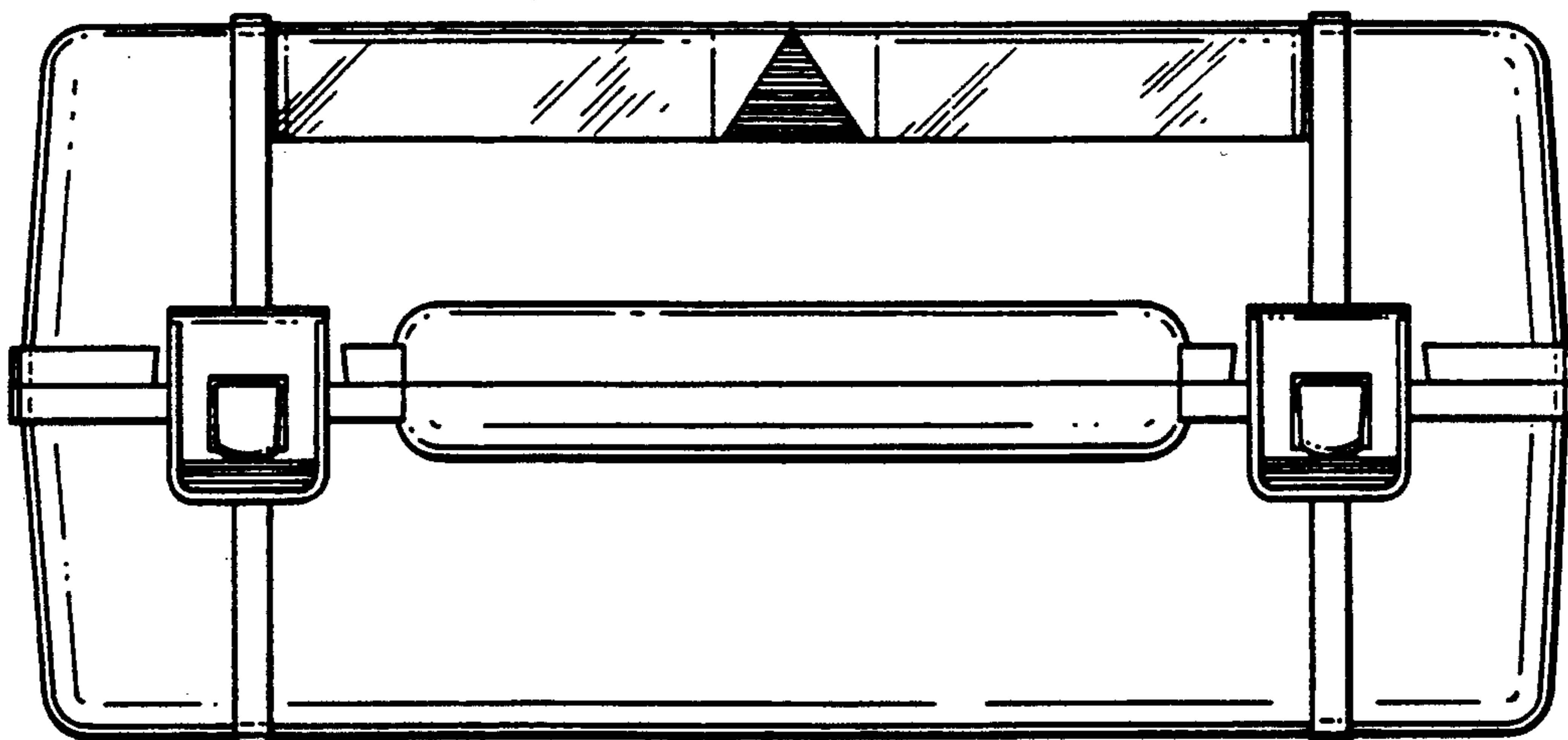


FIG. 3.

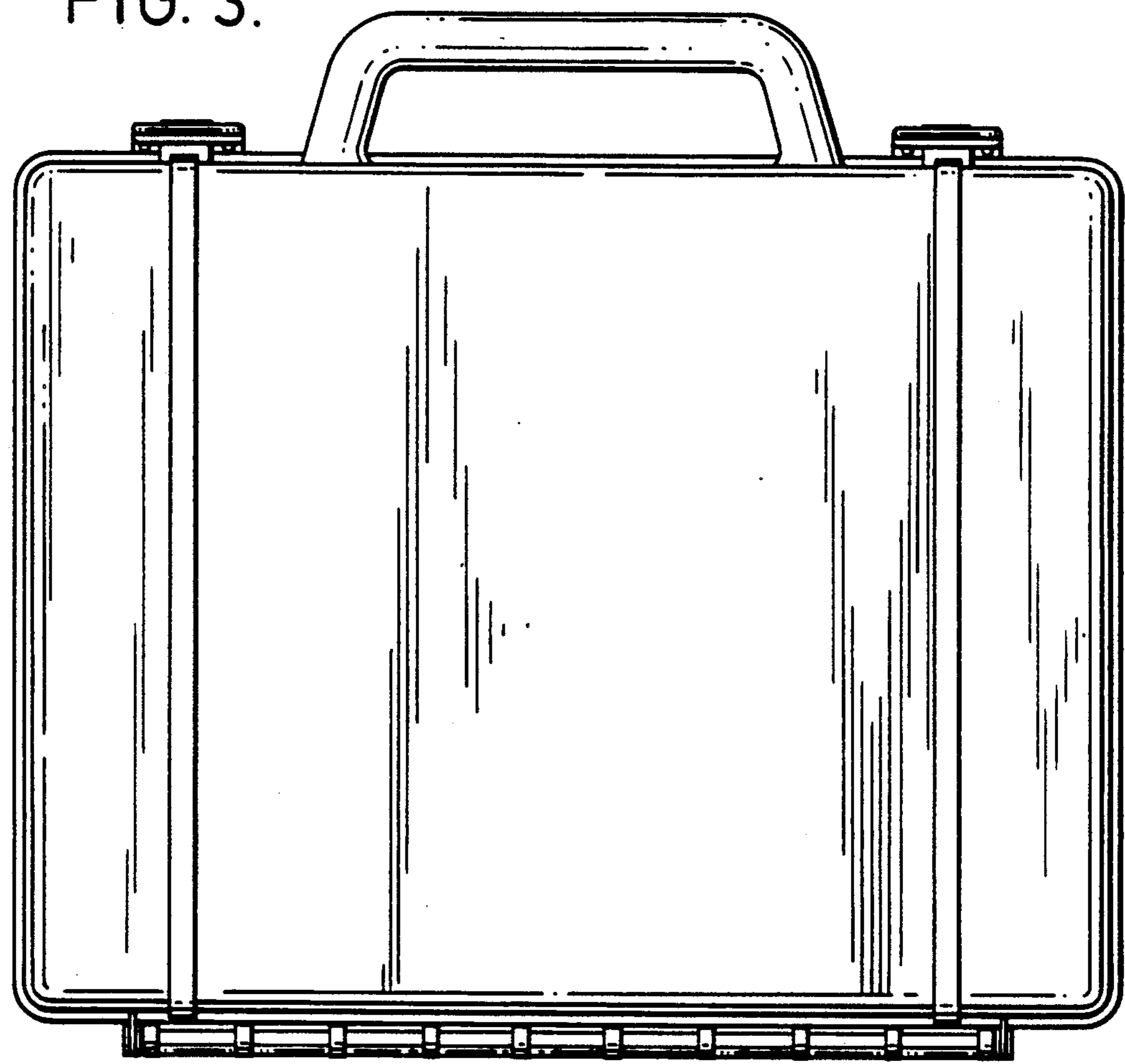


FIG. 4.

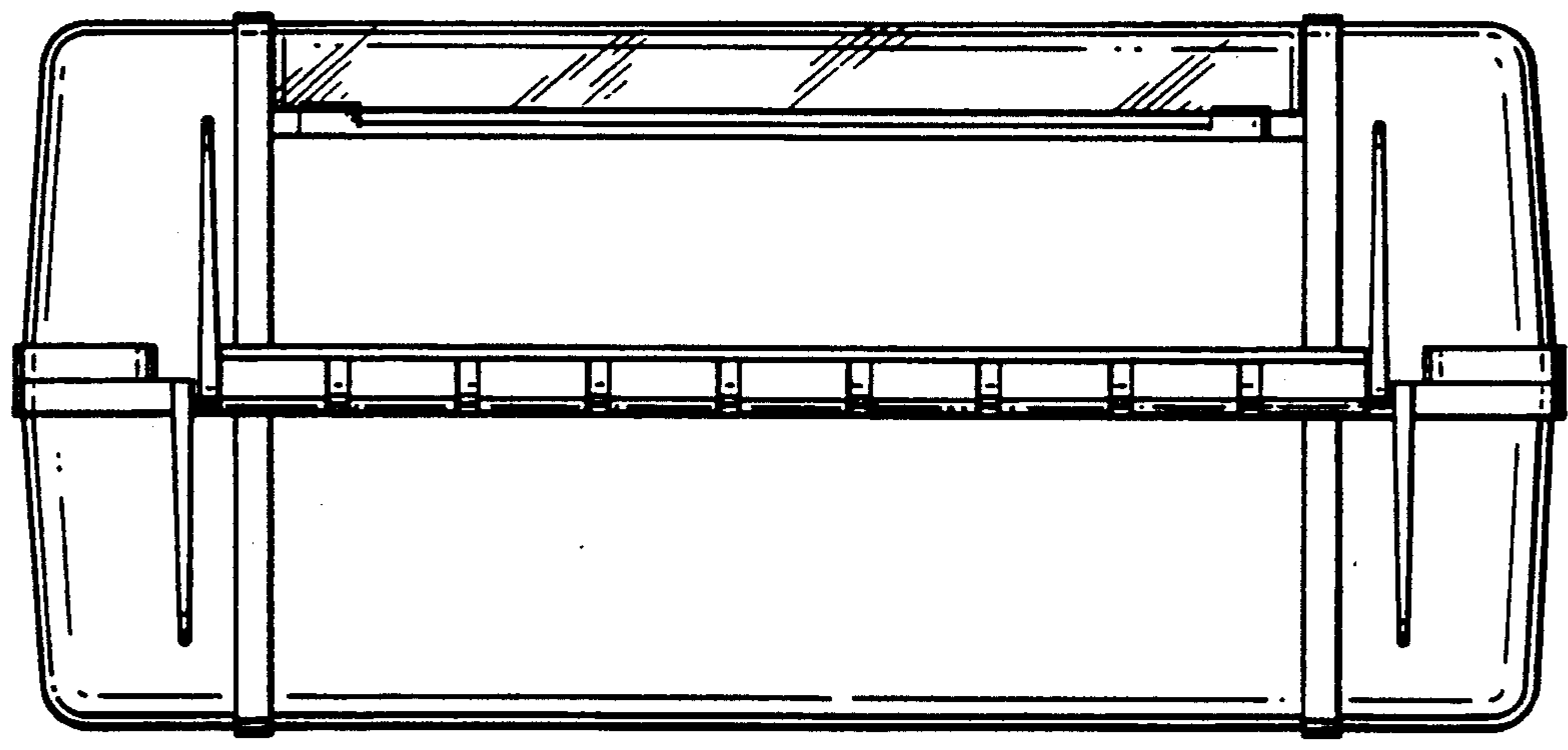


FIG. 5.

