

[54] **TOOL BOX**

[75] **Inventor:** Charles A. Lanius, Prairie du Sac, Wis.

[73] **Assignee:** Flambeau Corporation, Baraboo, Wis.

[\*\*] **Term:** 14 Years

[21] **Appl. No.:** 75,316

[22] **Filed:** Jul. 20, 1987

[52] **U.S. Cl.** ..... D3/72; D3/38

[58] **Field of Search** ..... D3/72, 73, 38, 74, 30.1; 43/57.1; 312/DIG. 33, 266, 244, 220; 206/349, 315.11, 373

[56] **References Cited**

**U.S. PATENT DOCUMENTS**

- D. 199,950 12/1964 Deschamps et al. .... D3/76
- 3,606,511 9/1971 Henning et al. .... 206/315.11 X
- 3,732,955 5/1973 Carter et al. .... 190/109

**OTHER PUBLICATIONS**

Flambeau Products Corp Catalog, ©1983, p. 4, Adventurer Drawer Box #1.

Evans Catalog 1984-85, p. 393, Item #6, Waterloo Tool Box.

Hardware Age, Mar. 1986, p. 145, Tool Boxes.

*Primary Examiner*—A. Hugo Word

*Assistant Examiner*—Doris V. Coles

*Attorney, Agent, or Firm*—Allegretti & Witcoff, Ltd.

[57] **CLAIM**

The ornamental design for the tool box, as shown and described.

**DESCRIPTION**

FIG. 1 is a front perspective view of a tool box showing my new design;

FIG. 2 is a left side elevational view of the design;

FIG. 3 is a right side elevational view of the design;

FIG. 4 is a front elevational view of the design;

FIG. 5 is a top plan view of the design;

FIG. 6 is a rear elevational view of the design; and

FIG. 7 is a bottom plan view of the design.

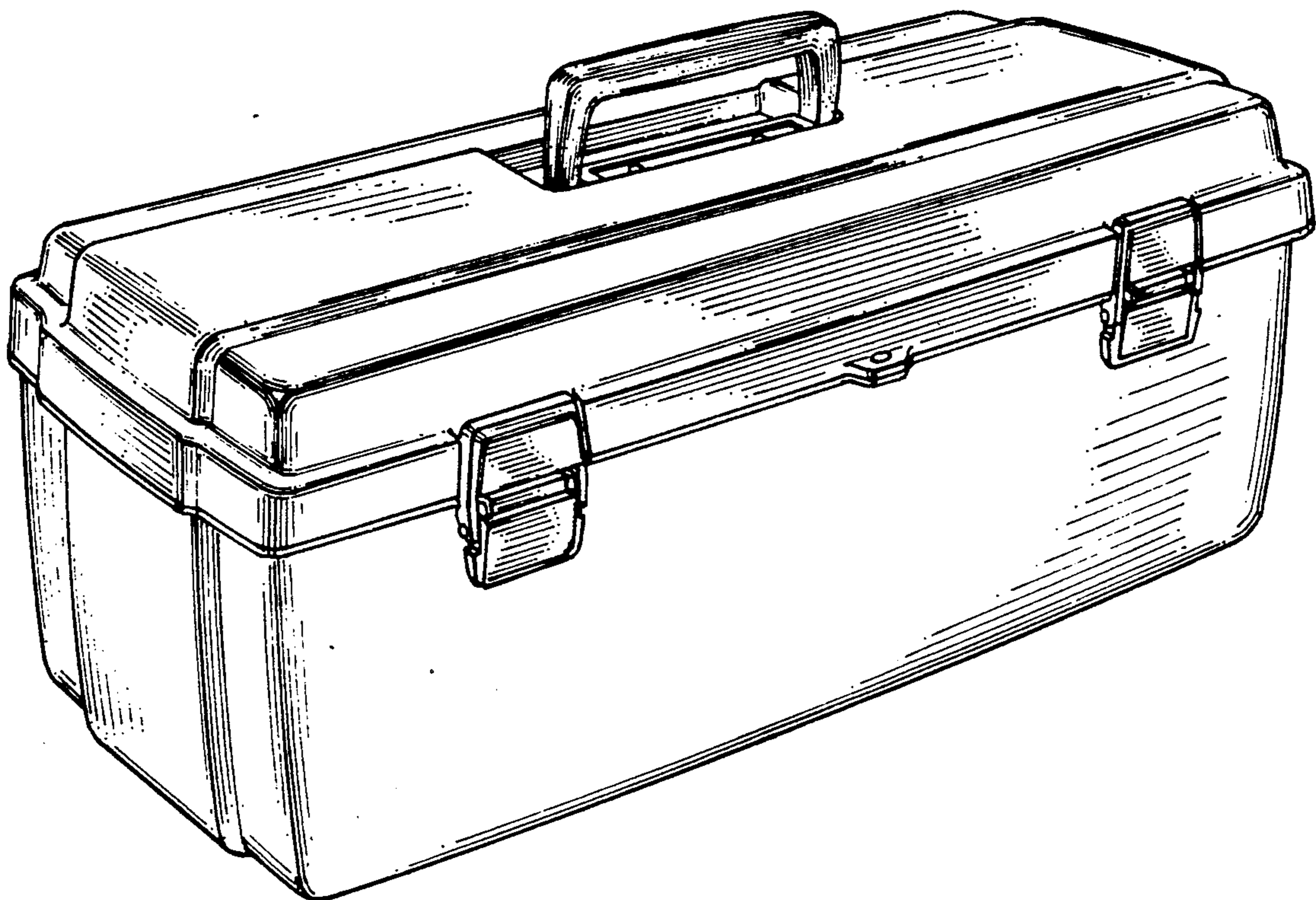


Fig. 1

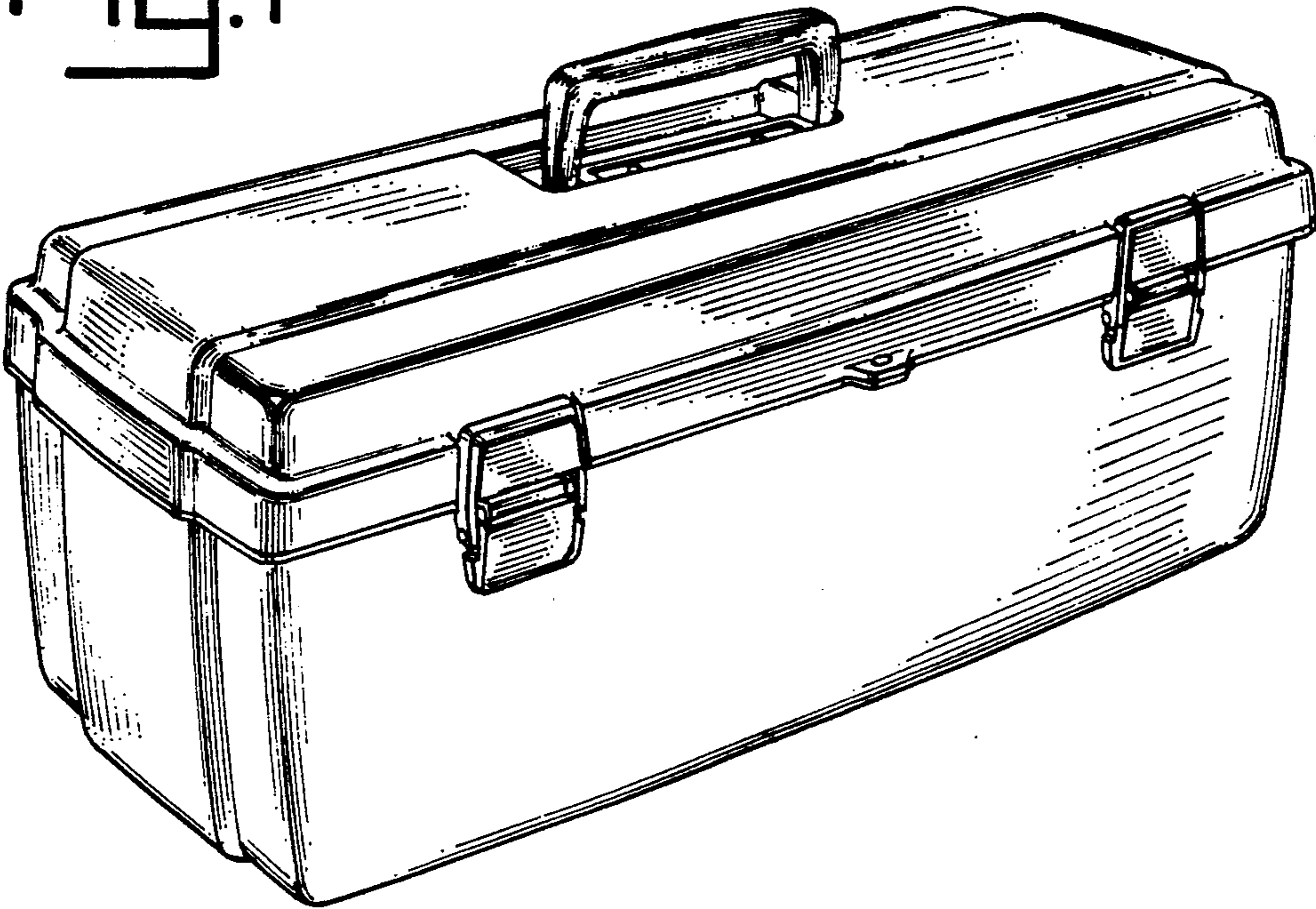


Fig. 2

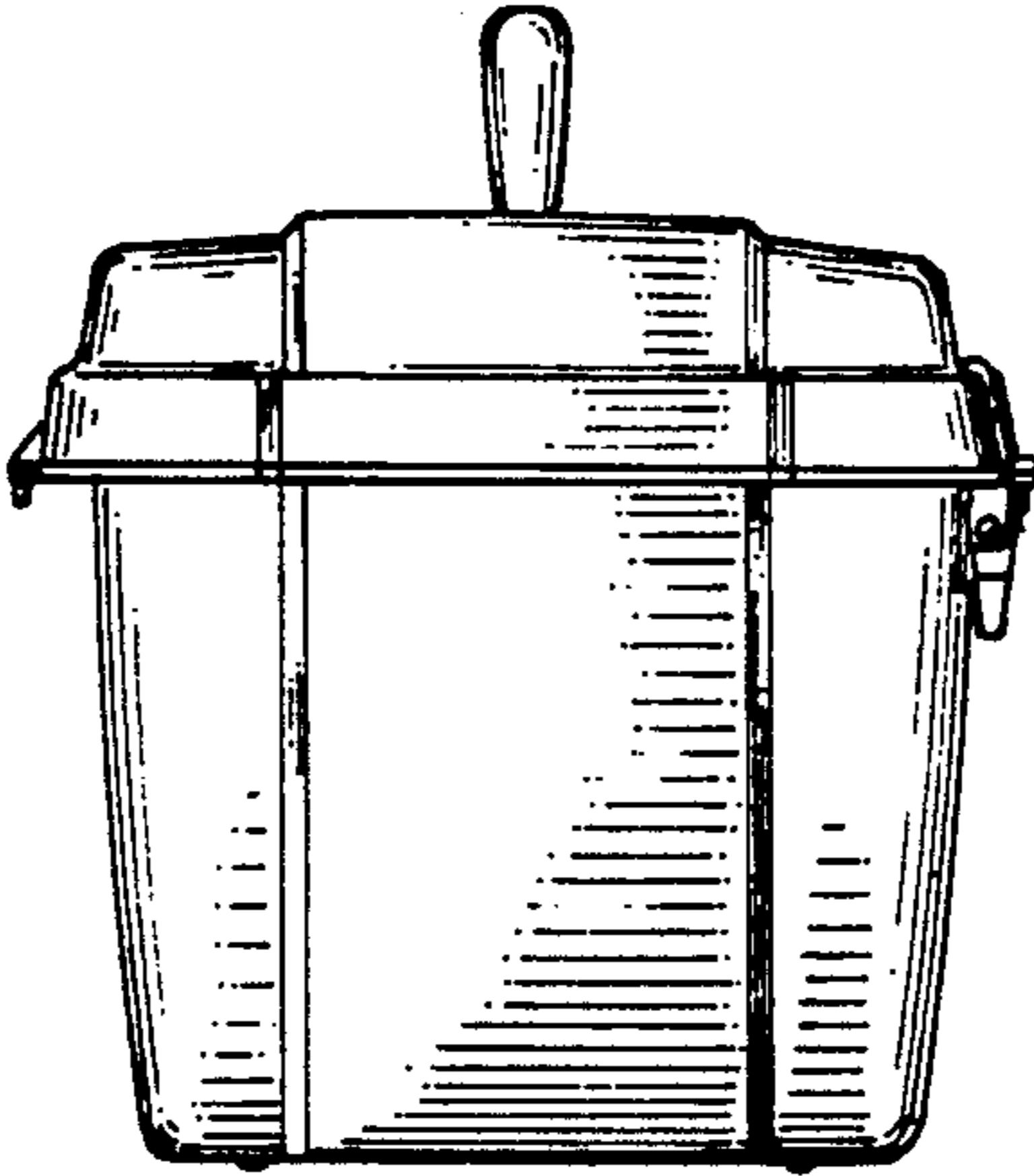


Fig. 3

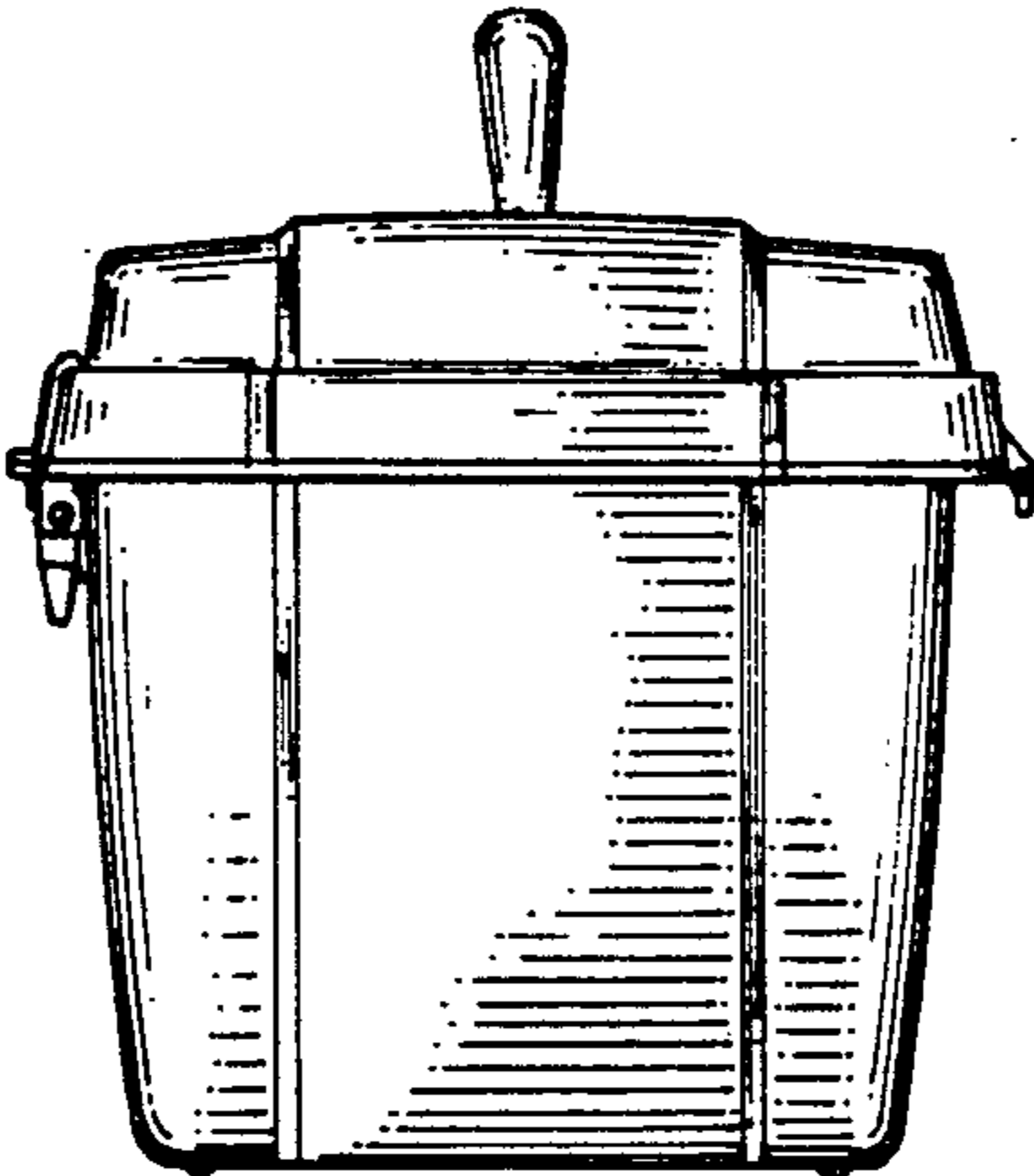


Fig. 4

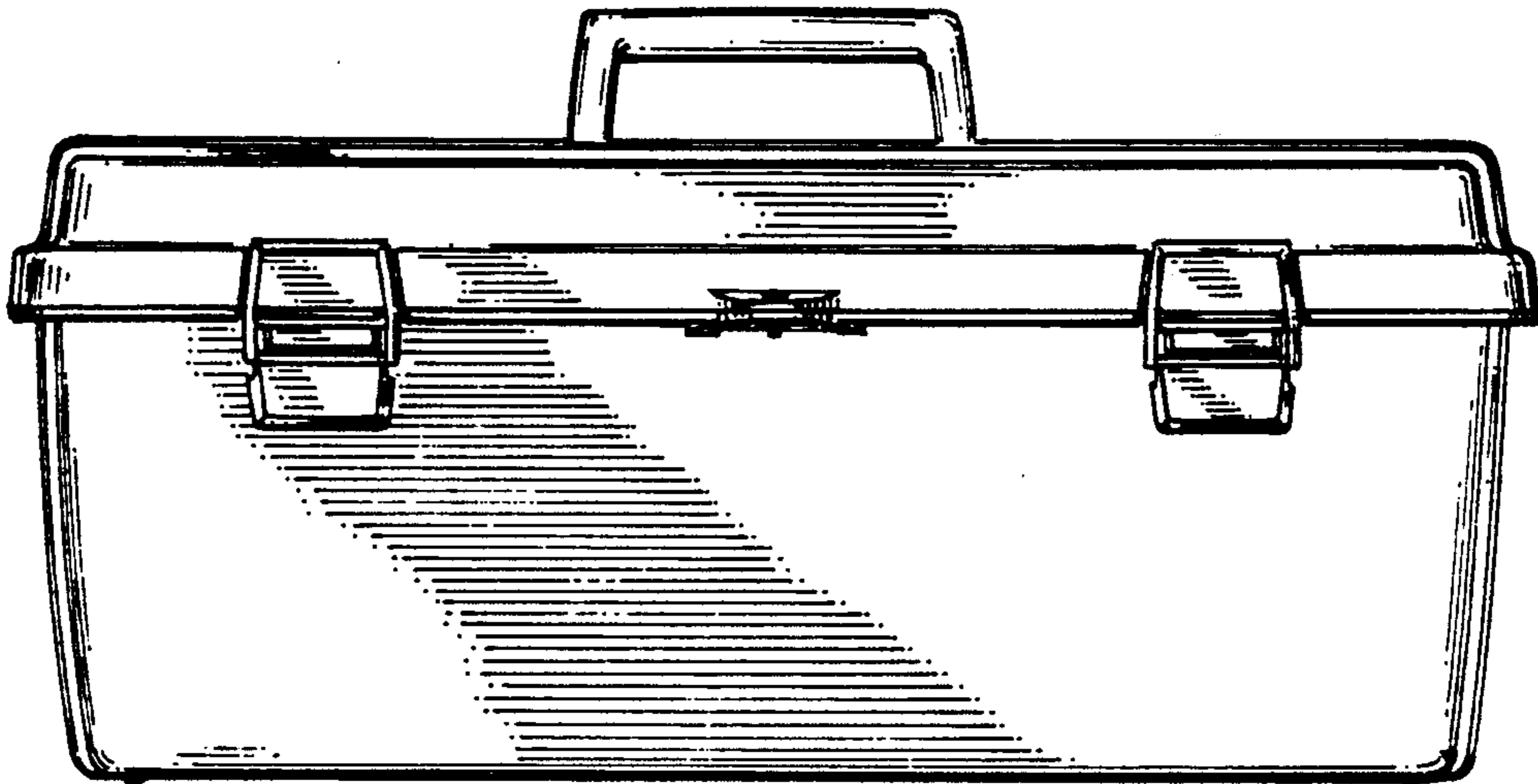


Fig. 5

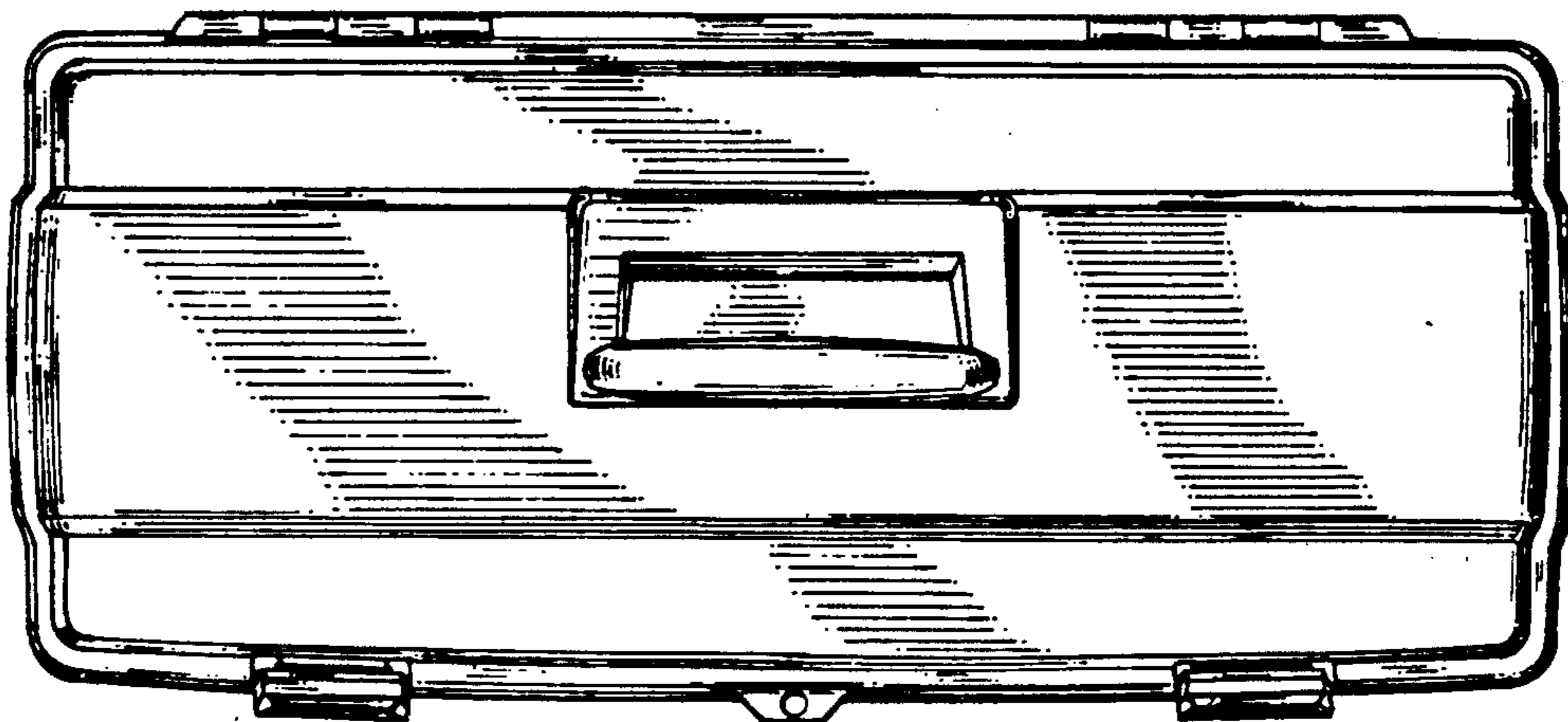




Fig. 6

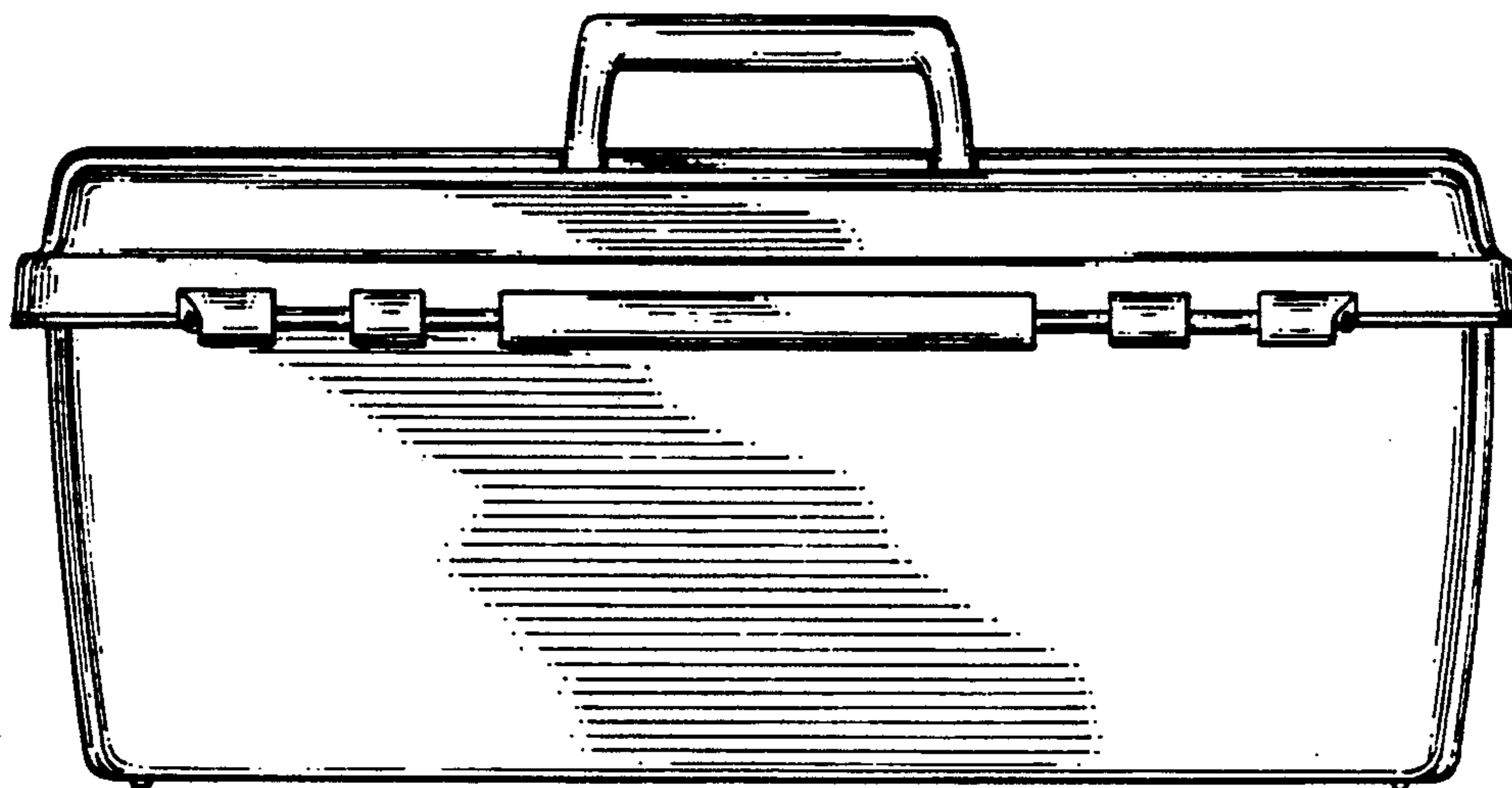


Fig. 7

