

United States Patent [19]

Seidel et al.

[11] Patent Number: Des. 314,663

[45] Date of Patent: ** Feb. 19, 1991

[54] CLAMP FOR THE SHAFT OF A STATIC UMBRELLA

[75] Inventors: Joachim Seidel, Solingen; Klaus Stiller, Langenfeld, both of Fed. Rep. of Germany

[73] Assignee: Kortenbach Verwaltungs-und Beteiligungsgesellschaft mbH & Co., Soligen, Fed. Rep. of Germany

[**] Term: 14 Years

[21] Appl. No.: 200,771

[22] Filed: Apr. 5, 1988

[52] U.S. Cl. D3/10

[58] Field of Search D3/1-17; 135/16, 19.5, 20 R, 20 A, 20 M, 90, 98, 101, 104, 118, DIG. 9; 403/24

[56] References Cited

U.S. PATENT DOCUMENTS

D. 292,947	12/1987	Levy	D3/10
1,696,245	12/1928	Manly	135/DIG. 9
2,839,320	6/1958	Hill	135/DIG. 9
4,353,659	10/1982	Comte	403/24

Primary Examiner—Louis S. Zarfes
Attorney, Agent, or Firm—Samuel Meerkreebs

[57] CLAIM

The ornamental design for a clamp for the shaft of a static umbrella, as shown and described.

DESCRIPTION

FIG. 1 is a perspective view of a clamp for a static umbrella showing our new design; FIG. 2 is a front elevational view; FIG. 3 is a left side elevational view; FIG. 4 is a right side elevational view; FIG. 5 is a top plan view; and FIG. 6 is a bottom plan view.

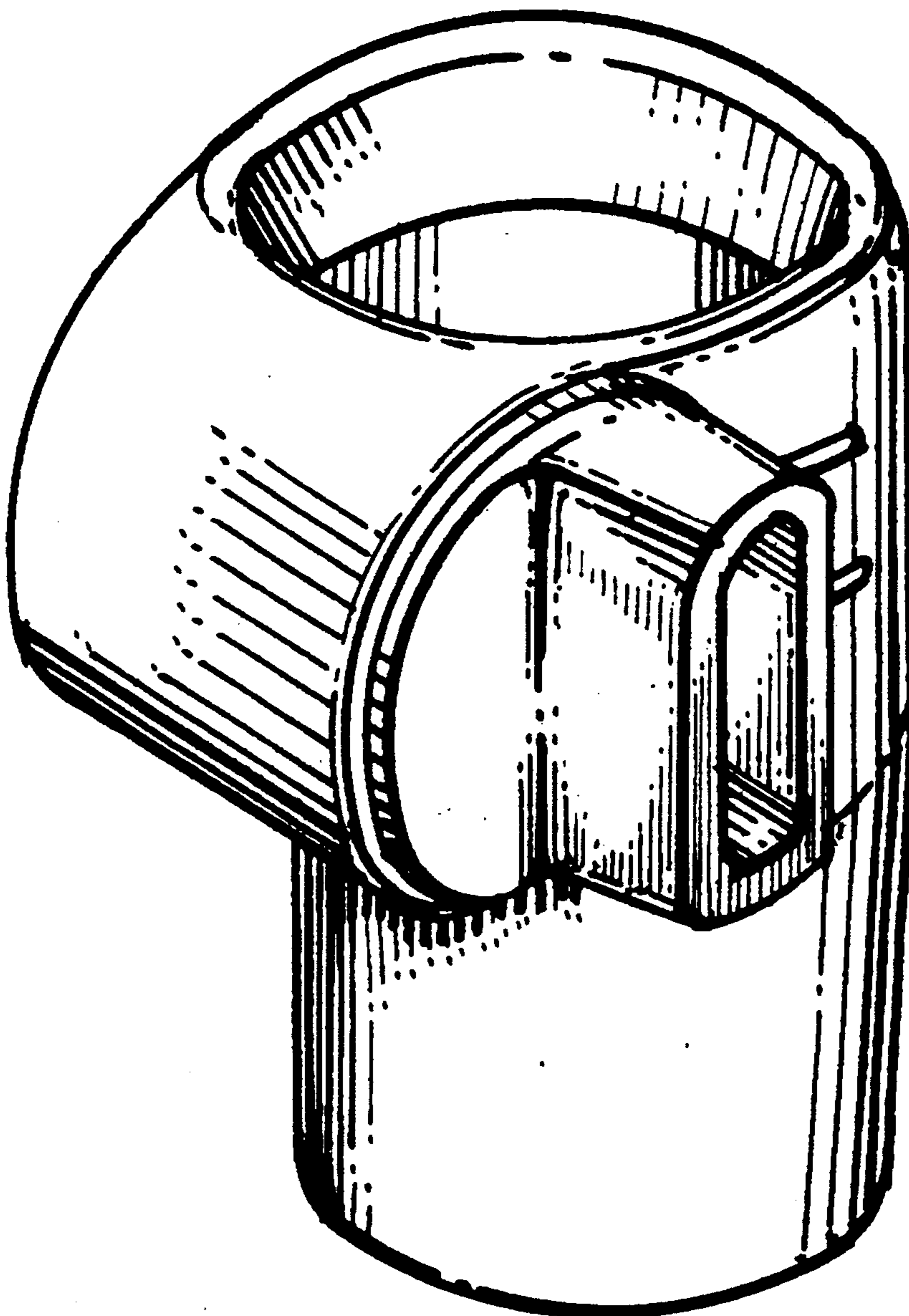


FIG. 1

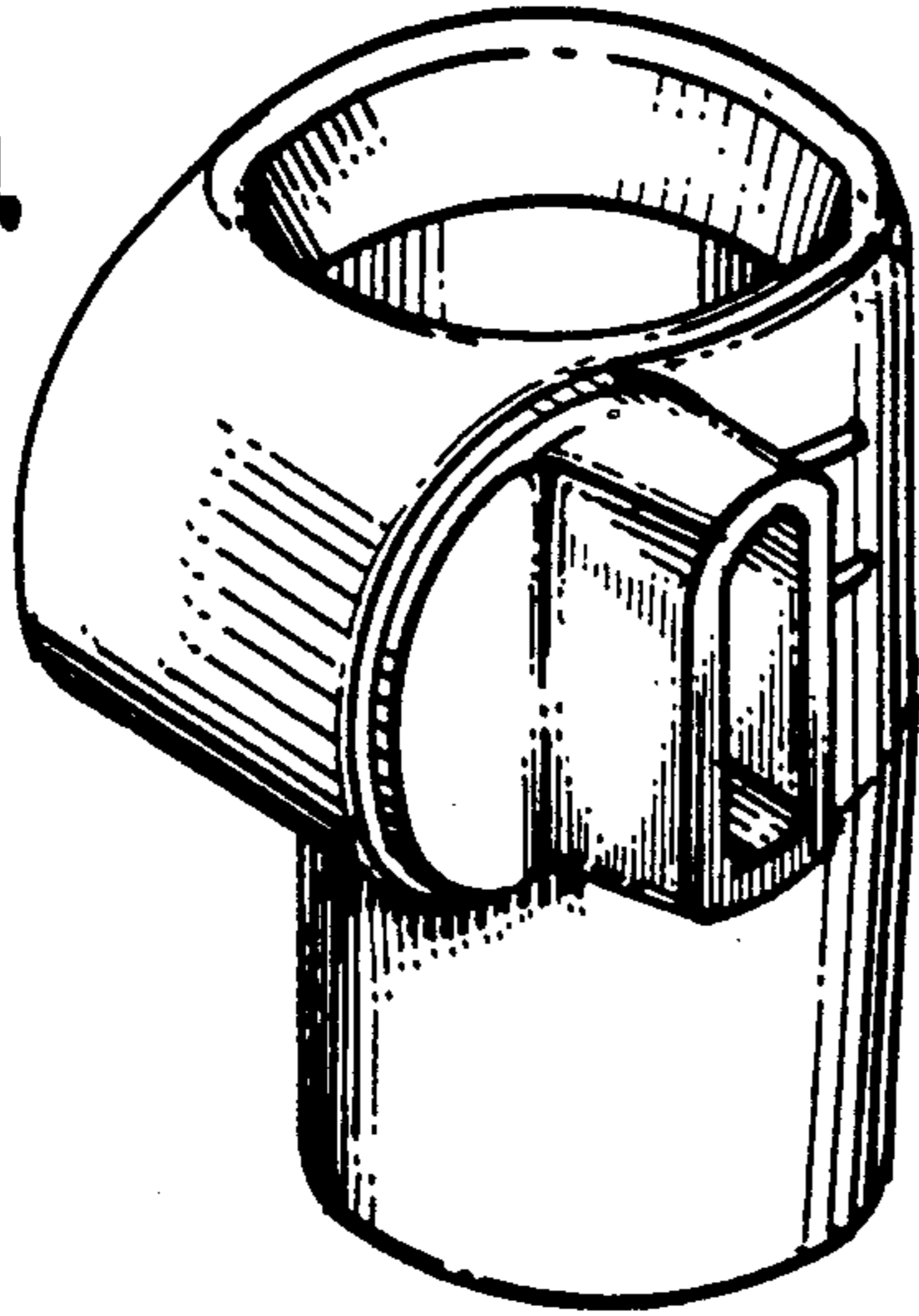


FIG. 2

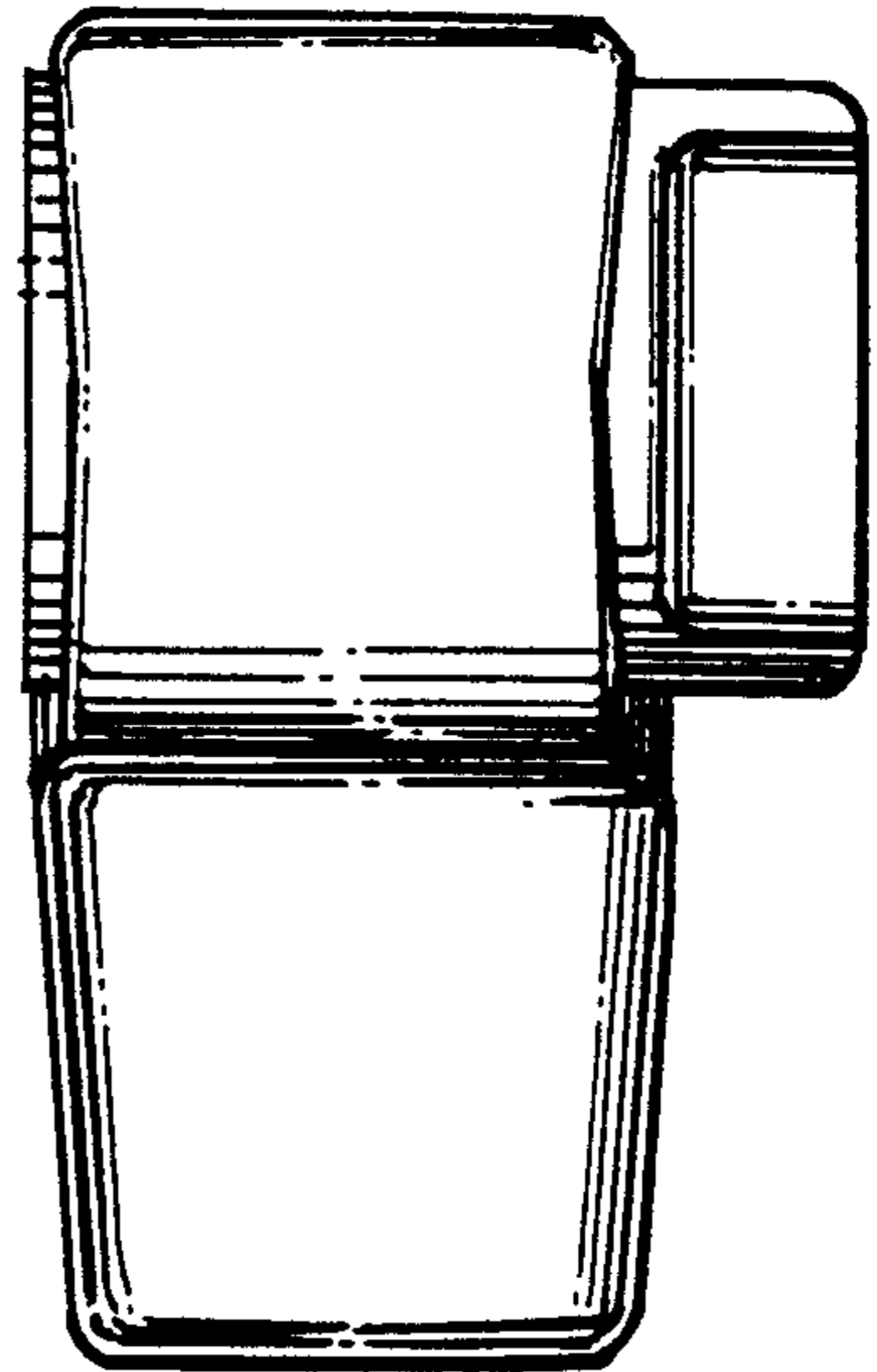


FIG. 3

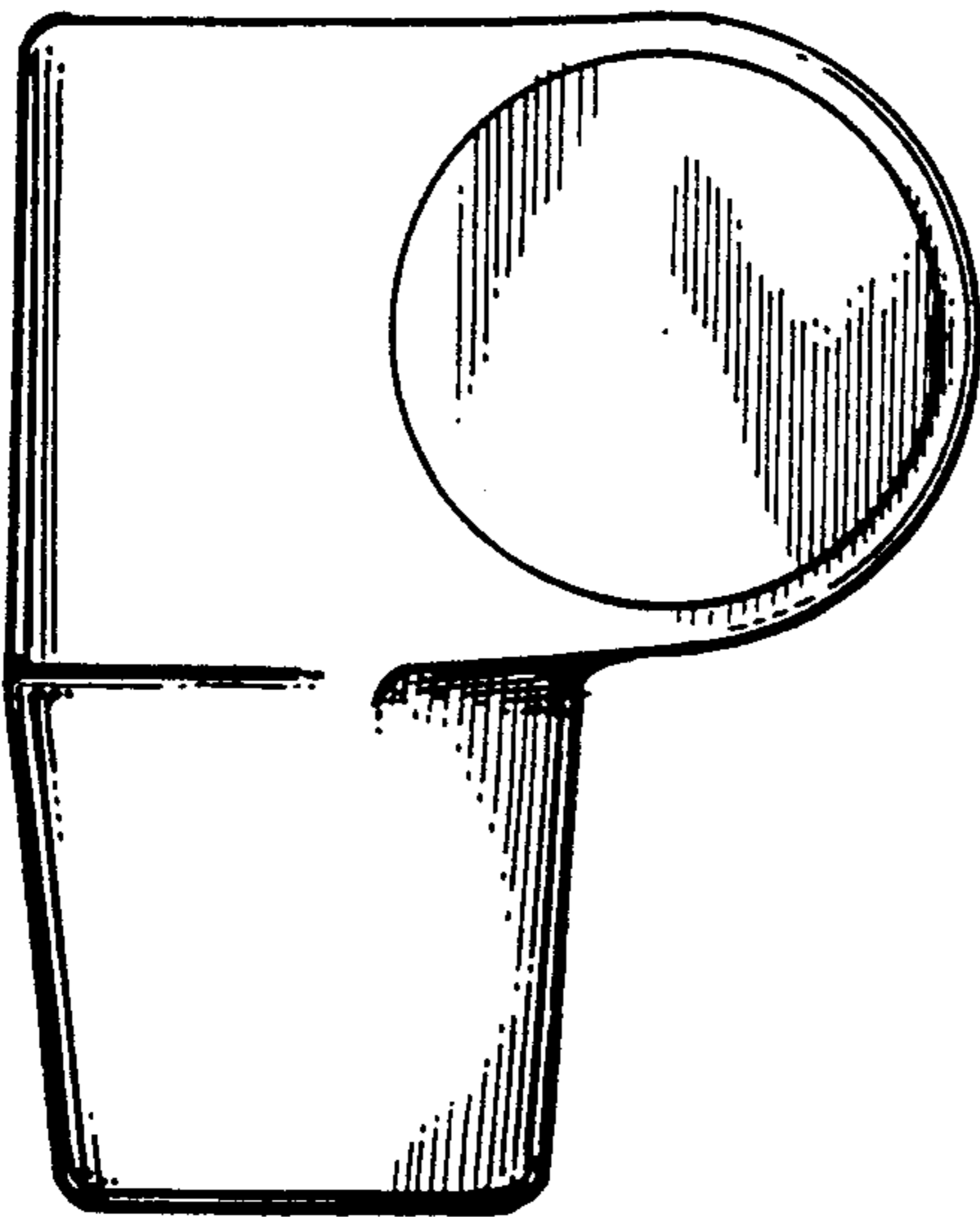


FIG. 4

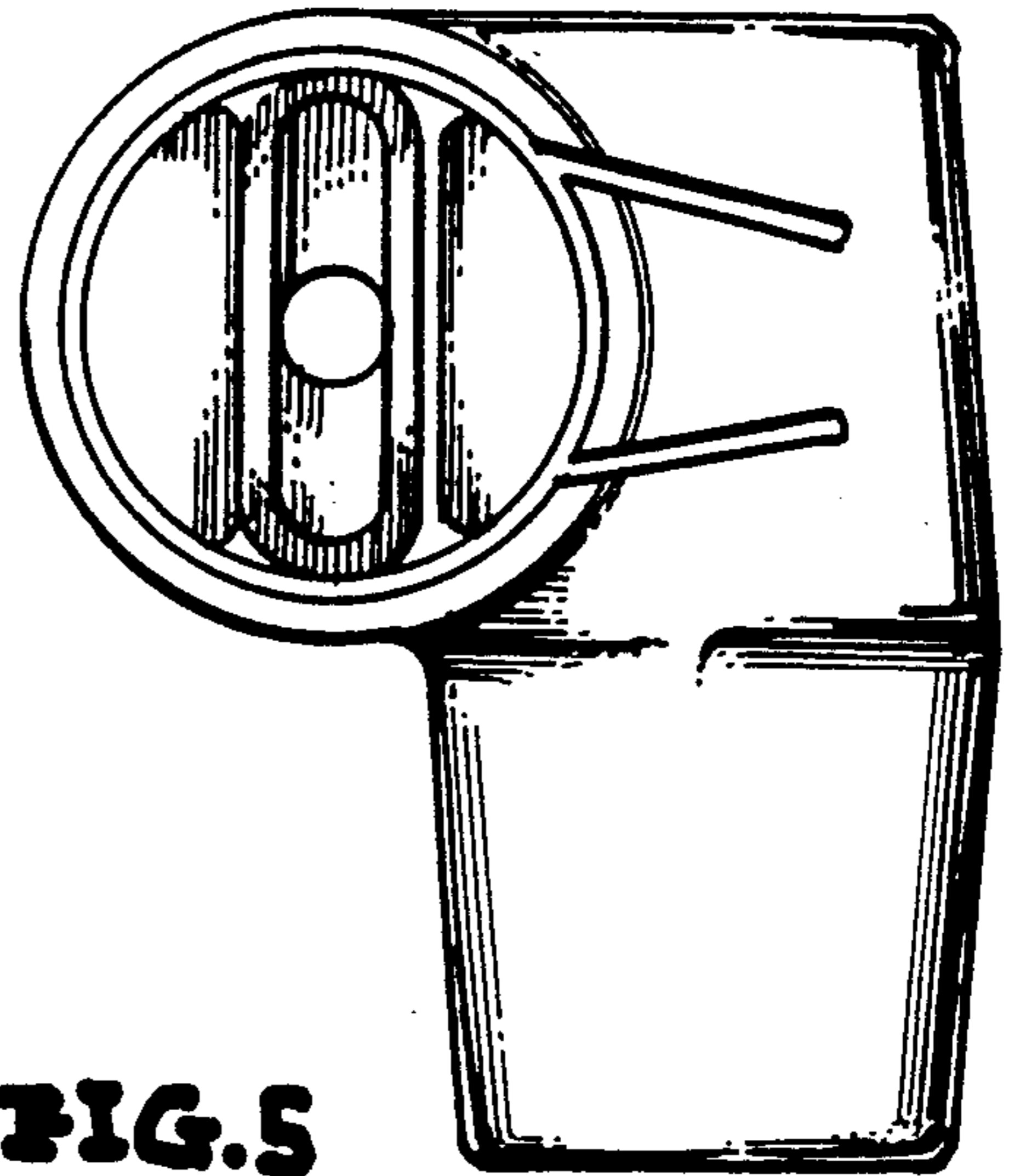


FIG. 5

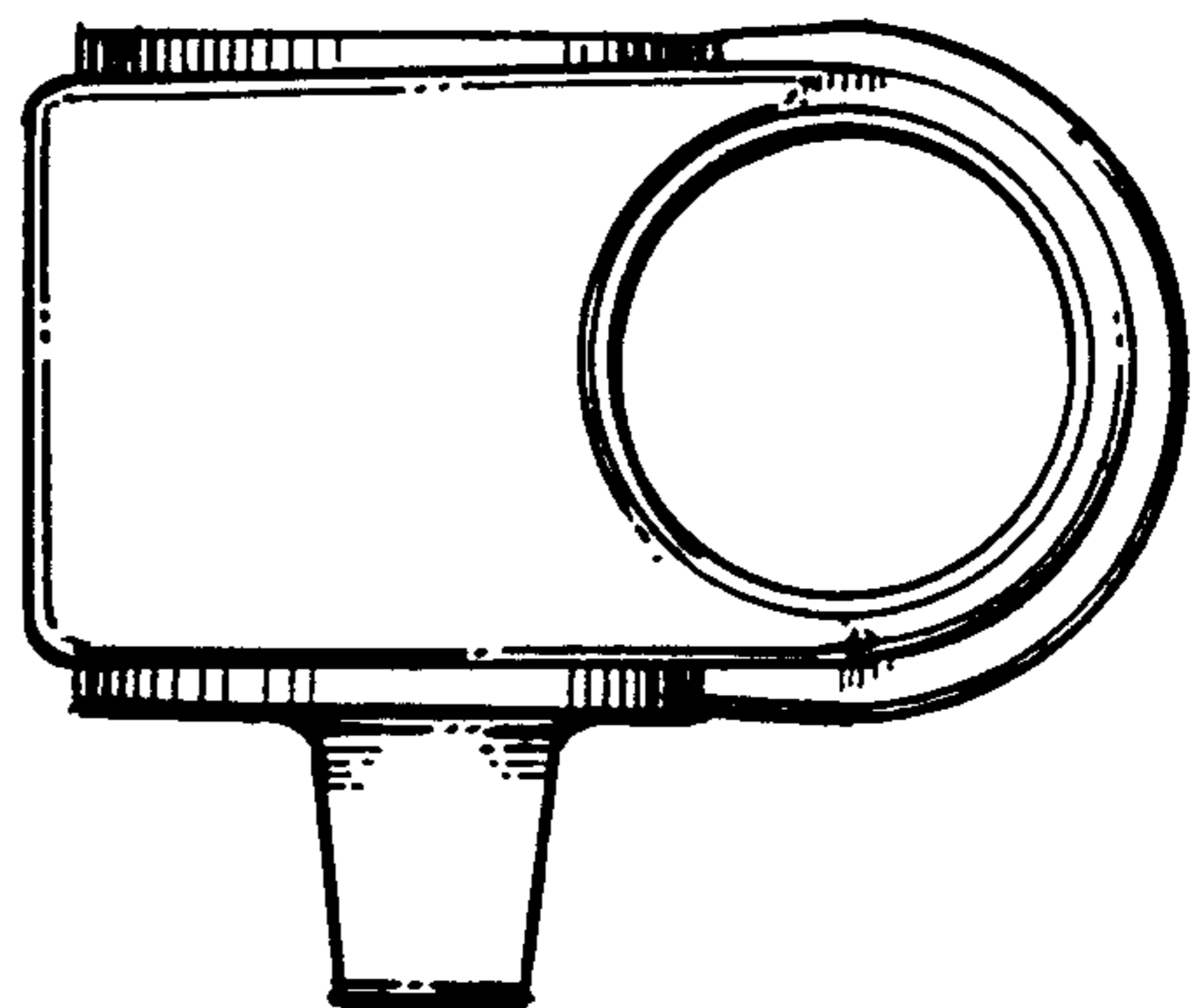


FIG. 6

