

[54] **HOLDER FOR WET CLEANING ACCESSORIES**

[75] Inventors: **Jane Ancona; Bruce Ancona**, both of New York, N.Y.

[73] Assignee: **M. Kamenstein, Inc.**, White Plains, N.Y.

[**] Term: **14 Years**

[21] Appl. No.: **499,082**

[22] Filed: **Mar. 26, 1990**

D. 216,277 12/1969 James D32/53
 D. 222,892 1/1972 Tarrasa D32/53
 D. 281,929 12/1985 Strobel et al. D34/44 X
 2,321,981 6/1943 Bowers D32/53 X
 2,740,516 4/1956 Renn 206/229
 4,219,035 8/1980 Deconinck 206/562 X

OTHER PUBLICATIONS

TMC Inc., 1978, Tool Caddy.

Primary Examiner—Bernard Ansher
Assistant Examiner—Prabhakar Deshmukh
Attorney, Agent, or Firm—Henry R. Lerner

Related U.S. Application Data

[63] Continuation-in-part of Ser. No. 447,257, Dec. 7, 1989.
 [52] U.S. Cl. **D34/45**
 [58] Field of Search D34/40-46;
 D3/30.1, 73, 74, 40, 30.5; D32/35, 53, 58;
 211/71, 74, 70.1, 50; 294/137, 159, 160, 172;
 206/320, 372, 427, 428, 549, 361, 362.3,
 557-564; 220/20; D7/616

[57] **CLAIM**

The ornamental design for a holder for wet cleaning accessories, as shown and described.

DESCRIPTION

FIG. 1 is a perspective view of a holder for wet cleaning accessories showing our new design;
 FIG. 2 is a rear elevation thereof;
 FIG. 3 is a top plan view thereof;
 FIG. 4 is a left side elevation thereof, the right side elevation being a mirror image thereof;
 FIG. 5 is a front elevation thereof;
 FIG. 6 is a bottom plan view thereof. The broken line showing of cleaning accessories in FIG. is for illustrative purpose only and forms no part of the claim.

[56] **References Cited**

U.S. PATENT DOCUMENTS

D. 55,023 5/1920 Blood D34/44
 D. 73,649 10/1927 Eiffe D32/53
 D. 200,020 1/1965 Reiss D34/44

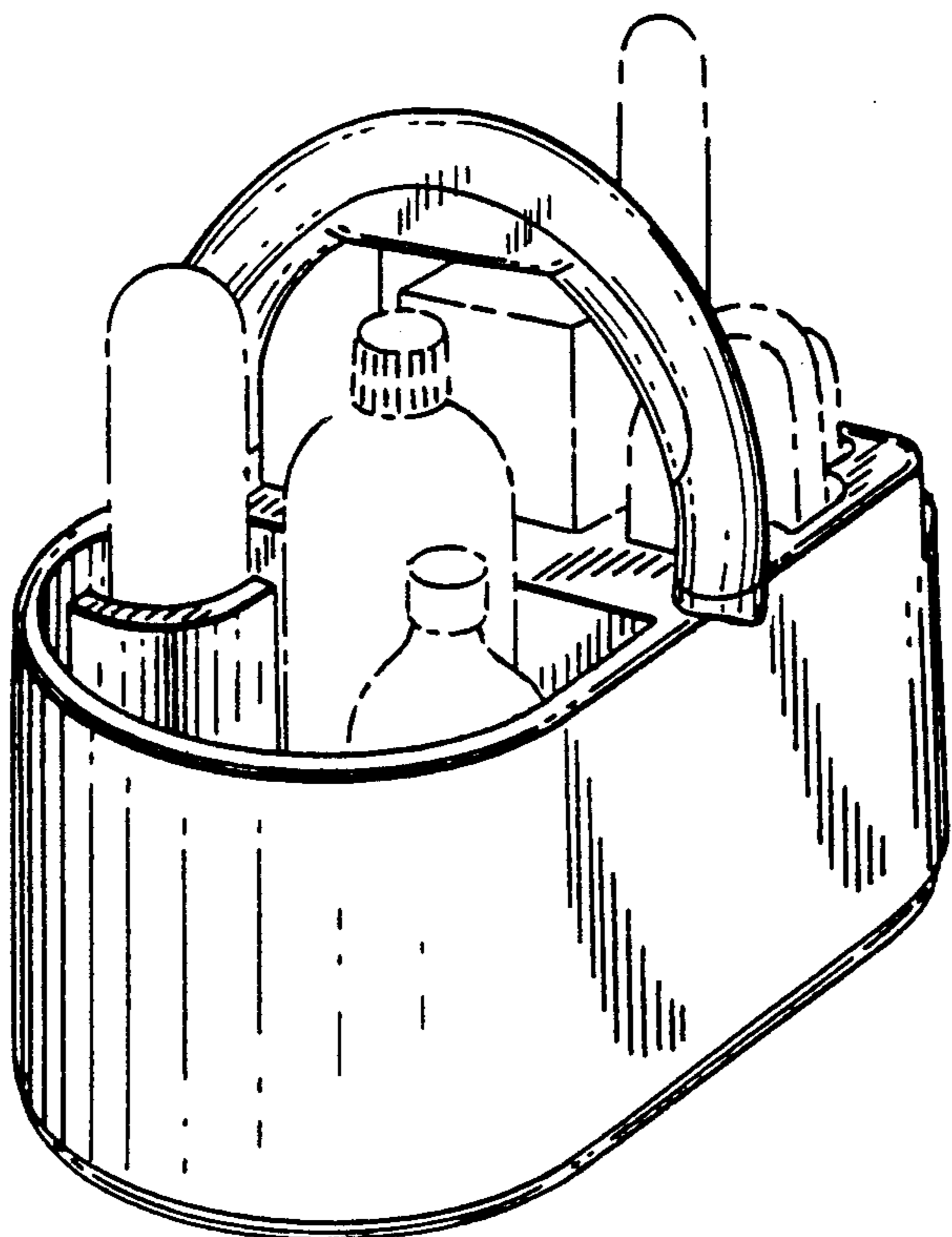


FIG. 1

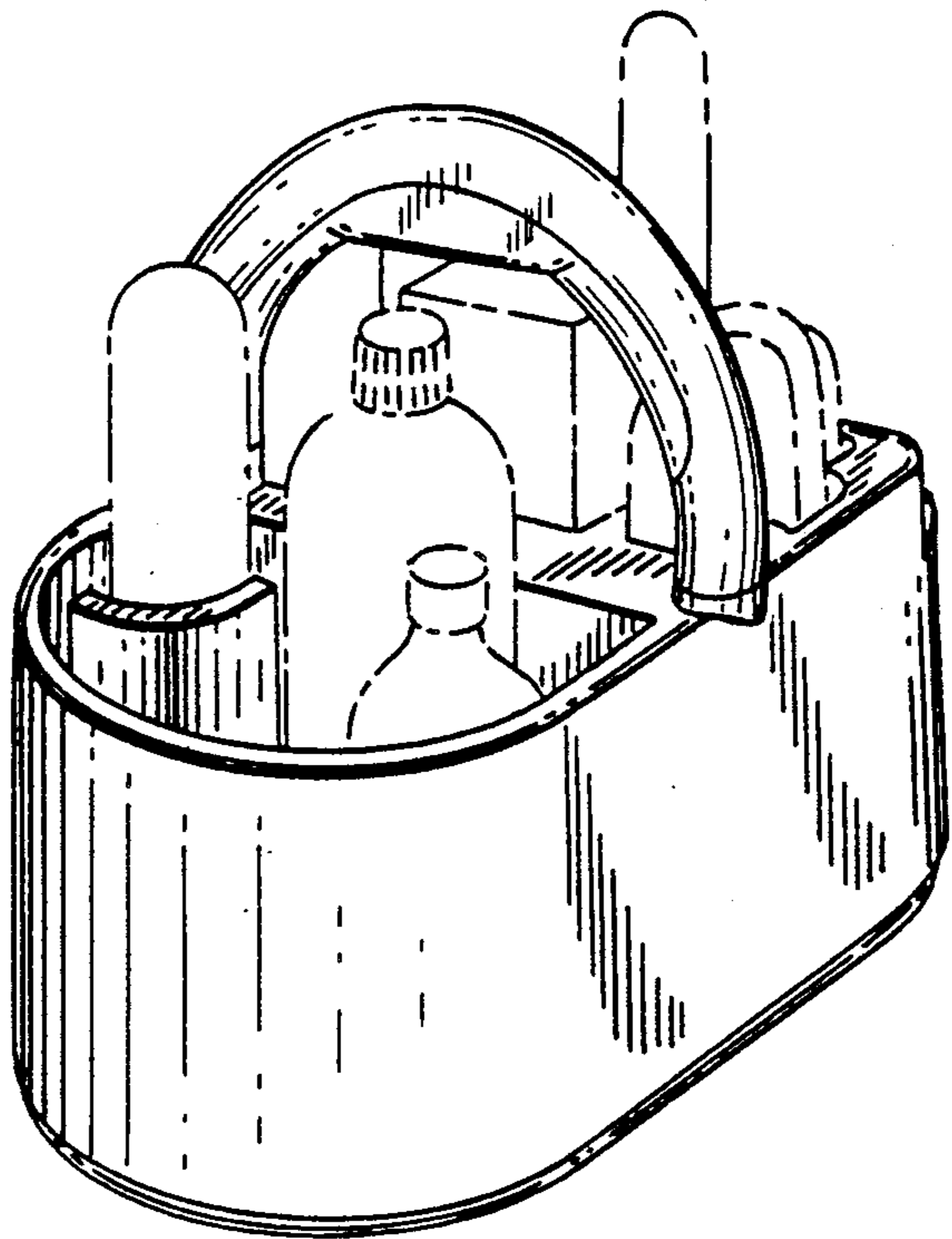
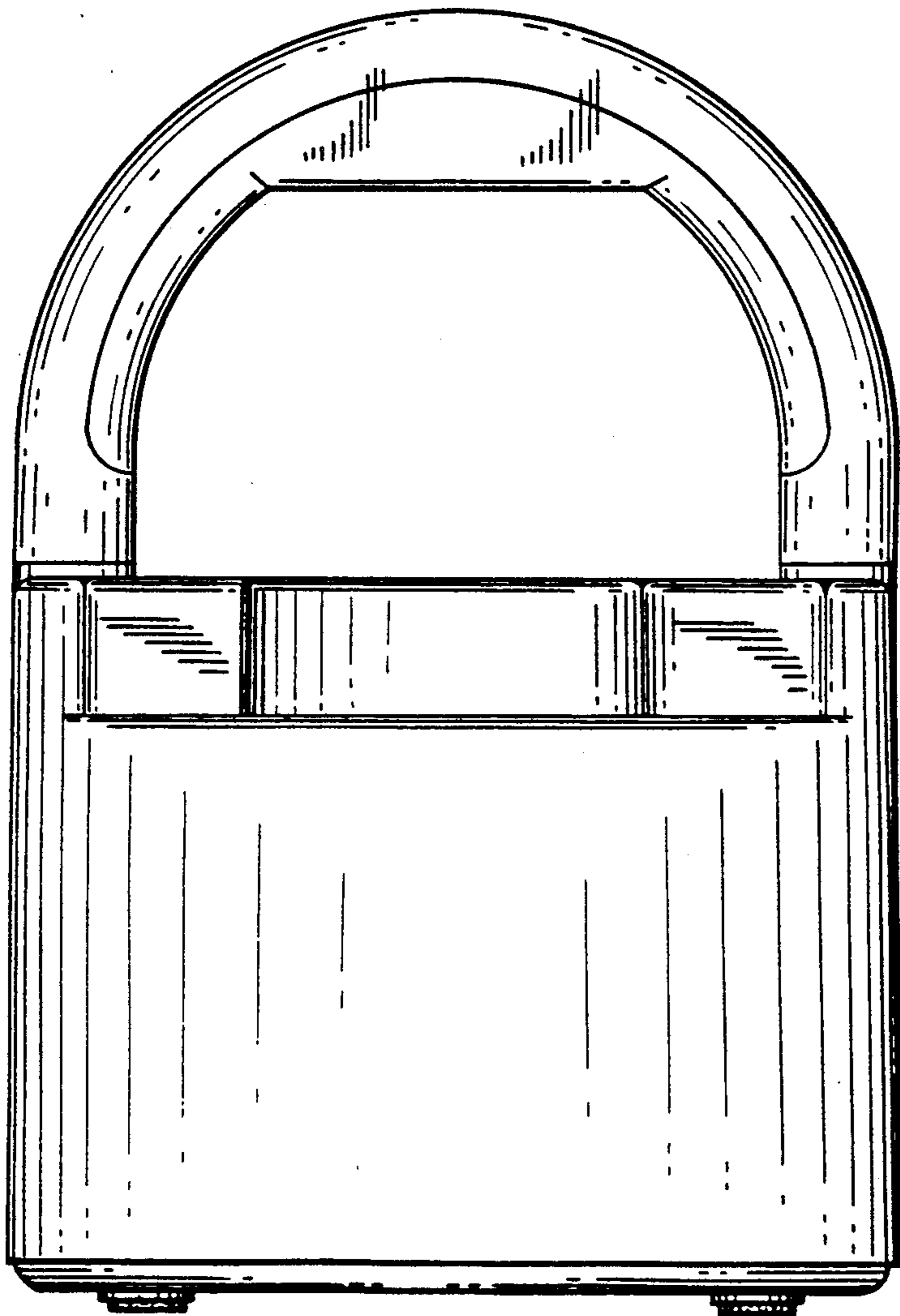


FIG. 2



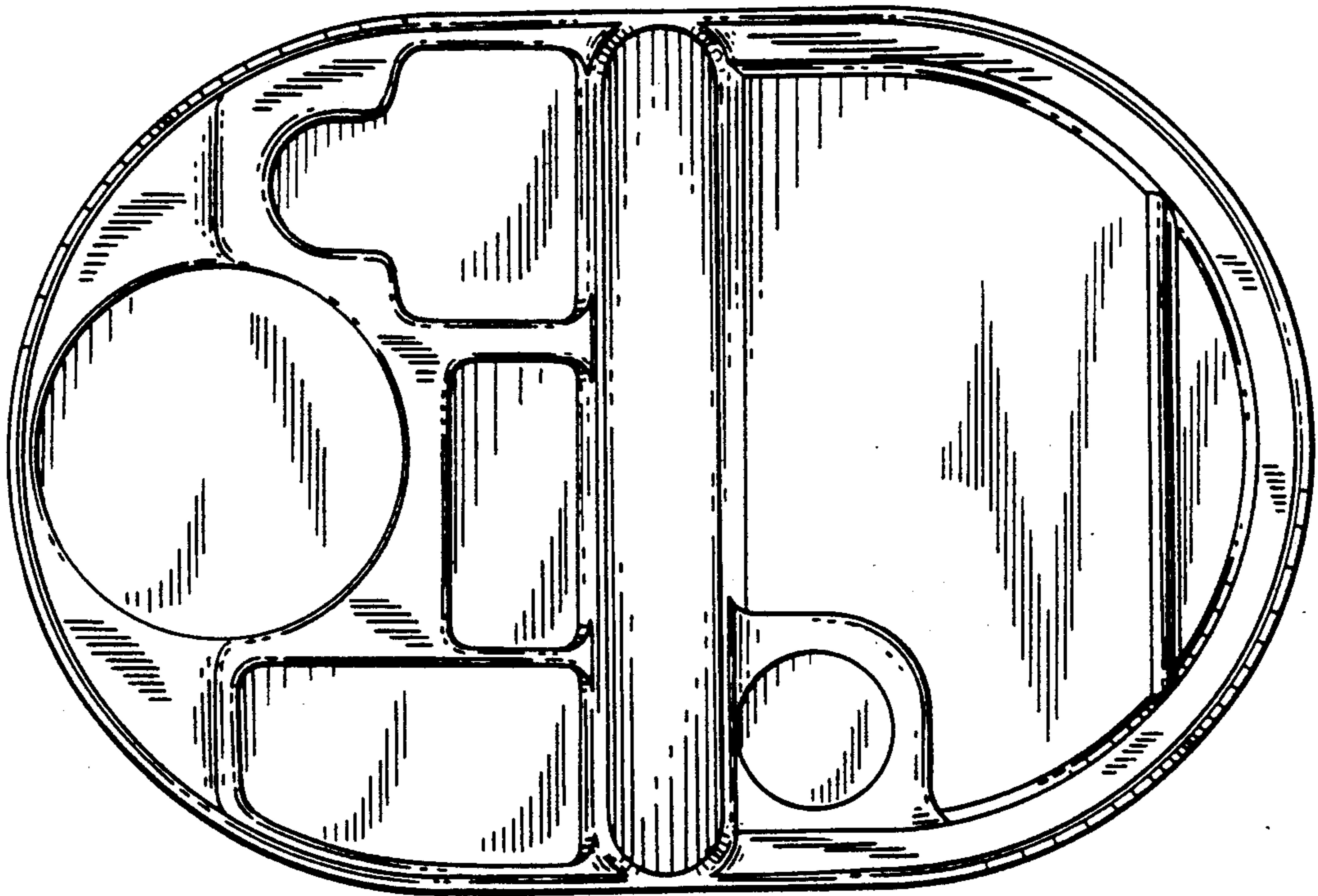


FIG. 3

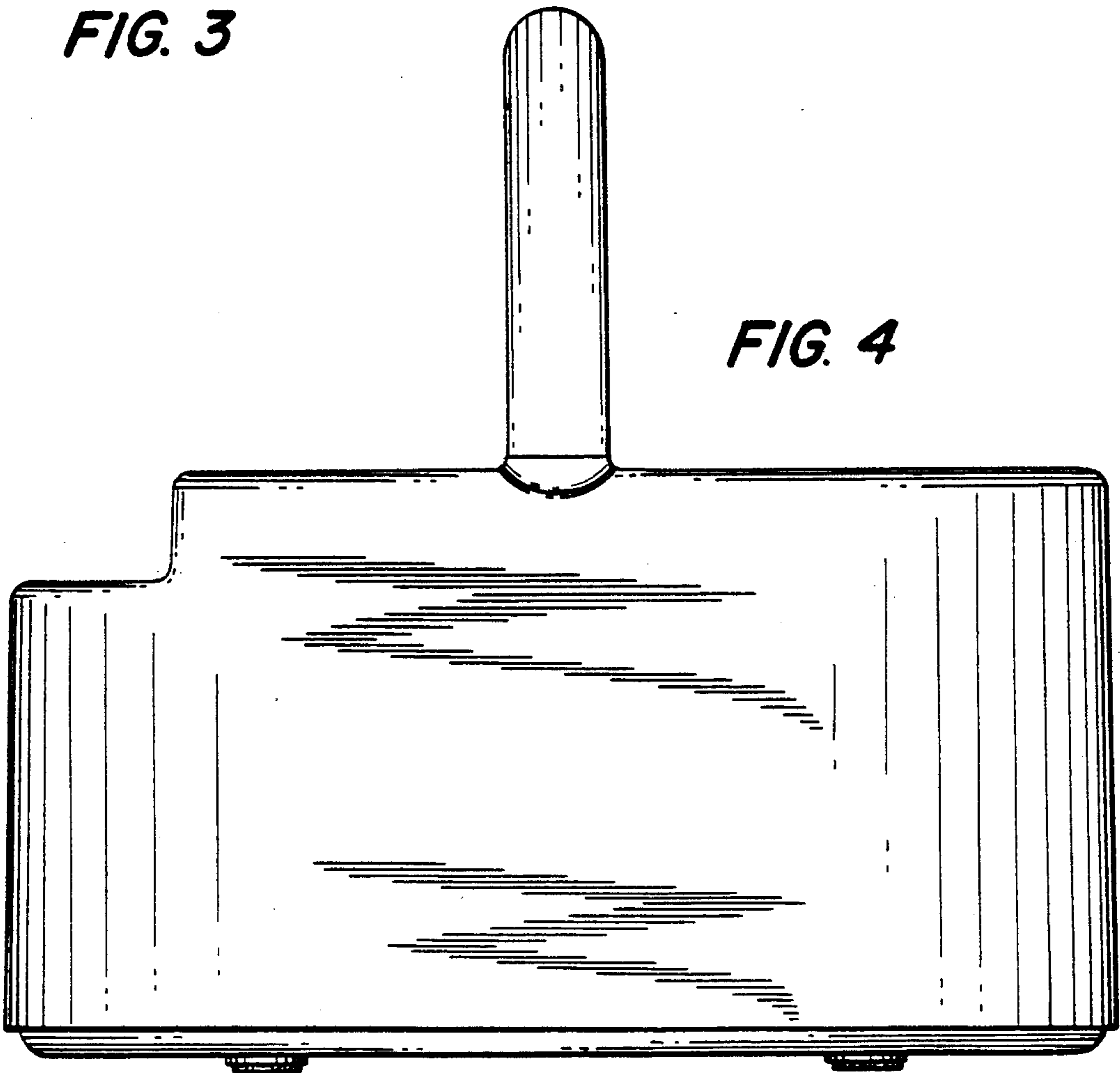


FIG. 4

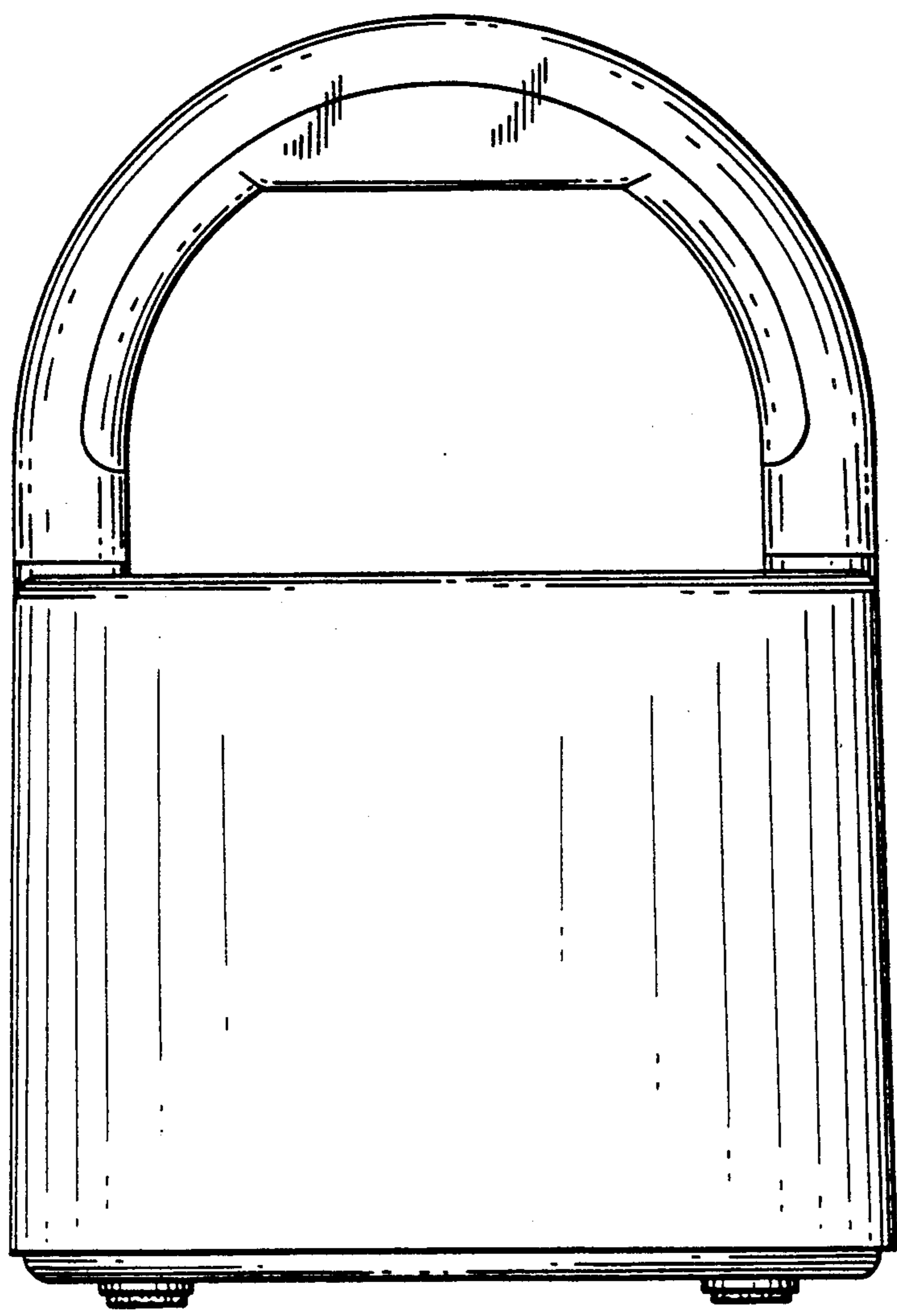


FIG. 5

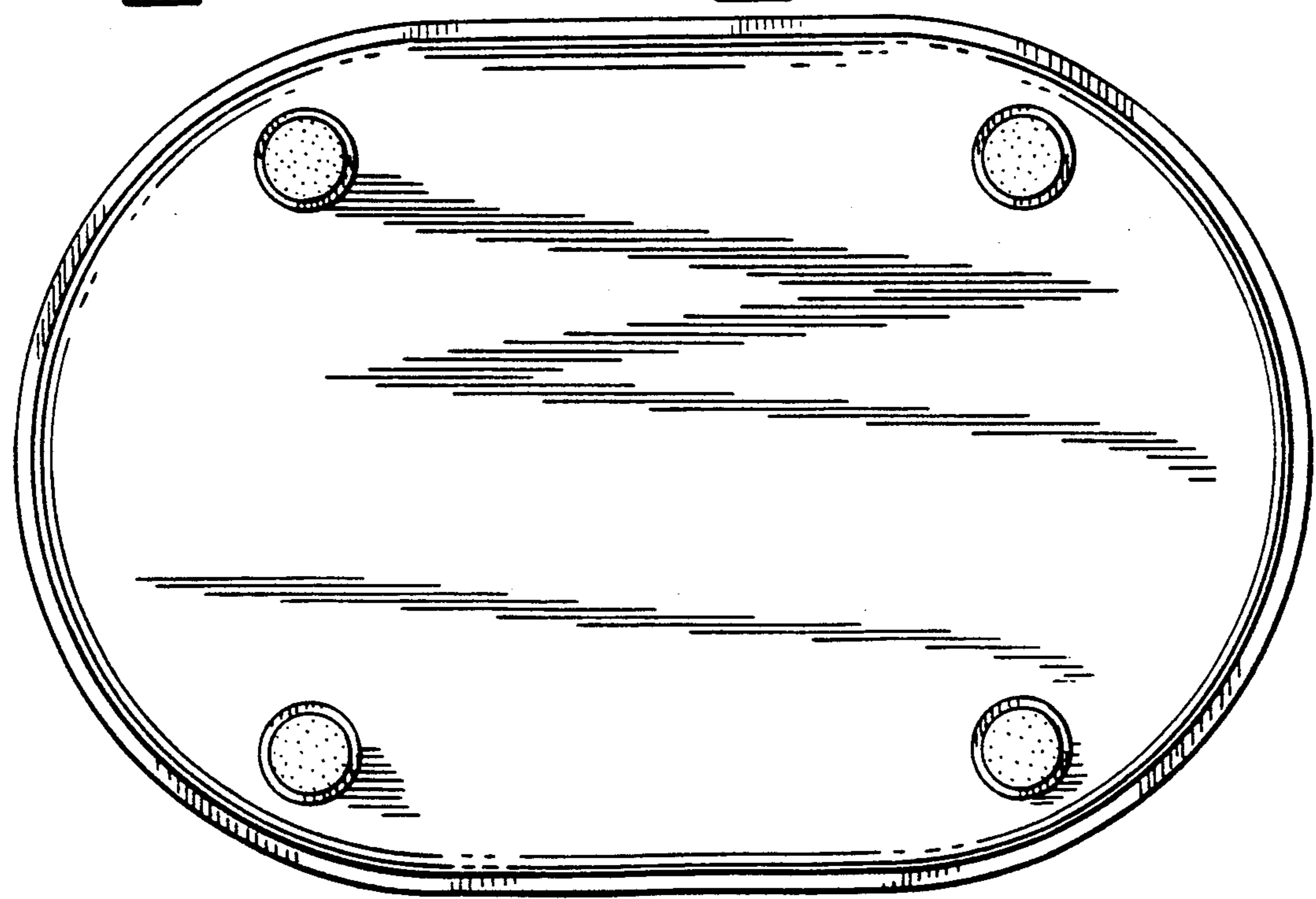


FIG. 6