

[54] **BEVERAGE CASE**

[76] **Inventor: Thomas Box, 774 Sycamore Ave., Shrewsbury, N.J. 07702**

[\*\*] **Term: 14 Years**

[21] **Appl. No.: 412,631**

[22] **Filed: Sep. 25, 1989**

**Related U.S. Application Data**

[63] Continuation of Ser. No. 118,632, Nov. 9, 1987.

[52] **U.S. Cl. .... D34/40**

[58] **Field of Search .... D34/40-46, D34/424; D9/424, 425, 427, 429, 432; 206/139, 142, 201, 203, 499-513, 427, 429, 821; 220/1.5, 71-74, 83, 84, DIG. 2, DIG. 12, DIG. 15**

[56] **References Cited**

**U.S. PATENT DOCUMENTS**

D. 211,068	5/1968	Miles .....	D34/43
D. 227,191	6/1973	Cape .....	D34/43
D. 242,600	12/1976	Box .	
D. 245,760	9/1977	Box .	
D. 255,097	5/1980	Caroll et al. ....	D34/40
D. 258,803	4/1981	Box .	
D. 259,294	5/1981	Box .	
D. 261,194	10/1981	Box .	
D. 265,009	6/1982	Box .	
D. 266,709	10/1982	Box .	
D. 275,141	8/1984	Andersson .....	D34/40
D. 276,090	10/1984	Gibson .....	D34/43

3,361,293	1/1968	Box .	
3,568,879	3/1971	Box .	
3,655,088	4/1972	Box .	
3,659,743	5/1972	Box .	
3,675,815	7/1972	Rehrig .	
3,682,351	8/1972	De Putter .	
3,997,055	12/1976	Box .	
3,998,327	12/1976	Box .	
3,998,328	12/1976	Box .	
4,106,624	8/1978	Thurman .....	206/507
4,163,495	8/1979	Drader .....	206/506
4,190,172	2/1980	Box .	
4,478,156	10/1984	Andersson .....	206/507 X
4,548,320	10/1985	Box .	

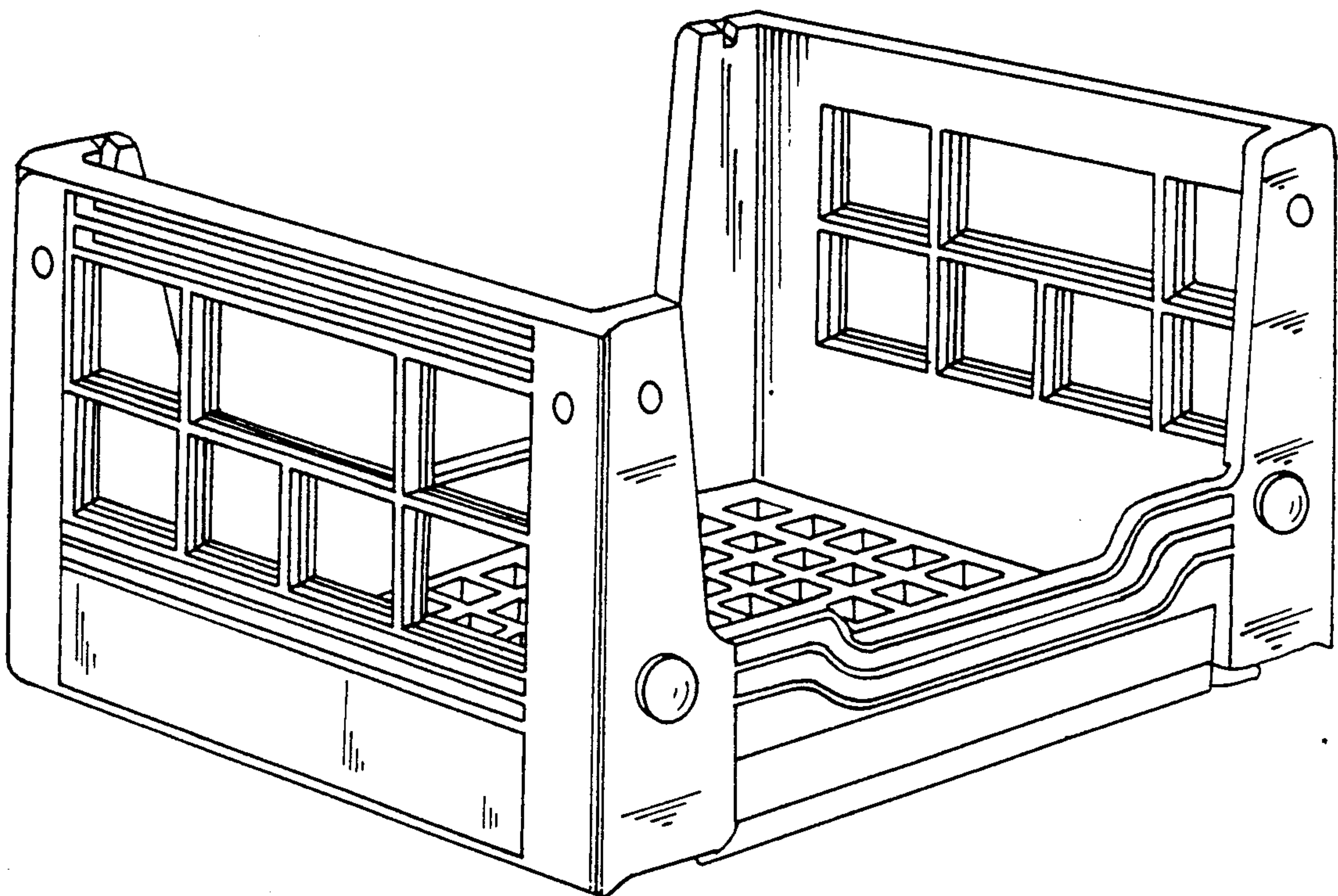
*Primary Examiner*—Melvin B. Feifer  
*Assistant Examiner*—Prabhakar Deshmukh  
*Attorney, Agent, or Firm*—Hedman, Gibson, Costigan & Hoare

[57] **CLAIM**

The ornamental design for a beverage case, as shown and described.

**DESCRIPTION**

FIG. 1 is a perspective view of a beverage case showing my new design;  
FIG. 2 is a front elevation thereof; the rear side elevation being a mirror image;  
FIG. 3 is a left side elevation thereof; the right side elevation being a mirror image;  
FIG. 4 is a top plan view thereof, and  
FIG. 5 is a bottom plan view thereof.



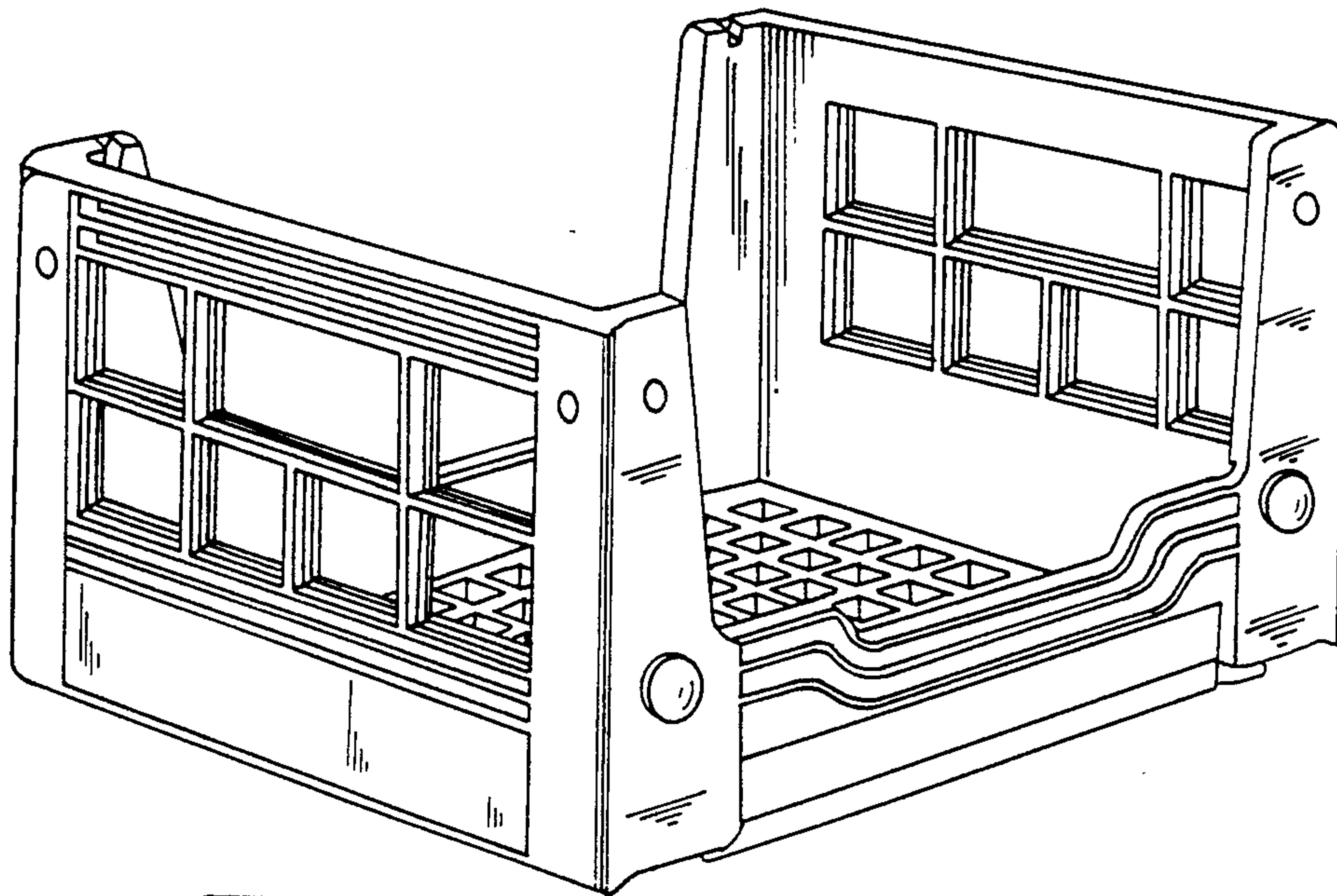


FIG. 1

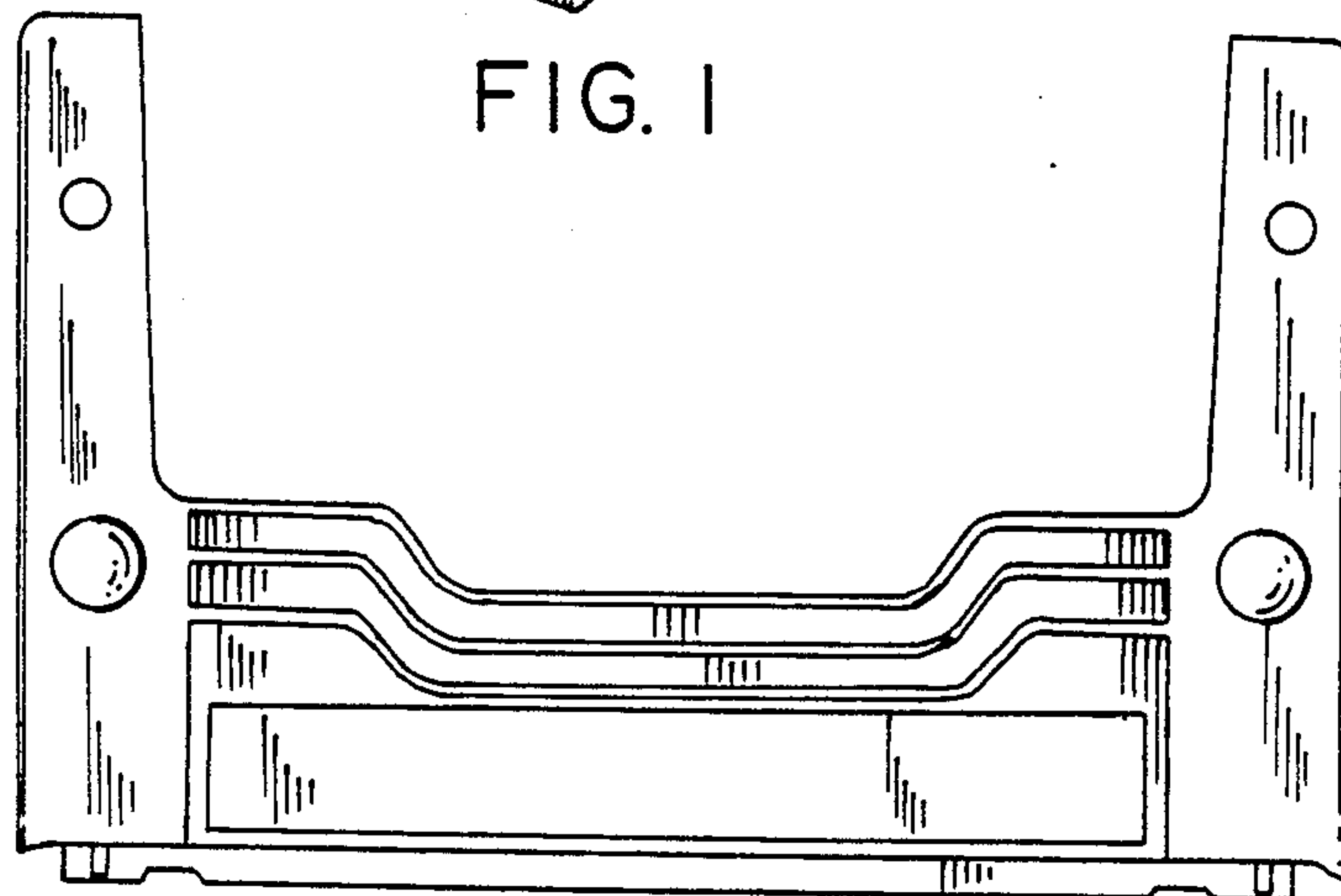


FIG. 2

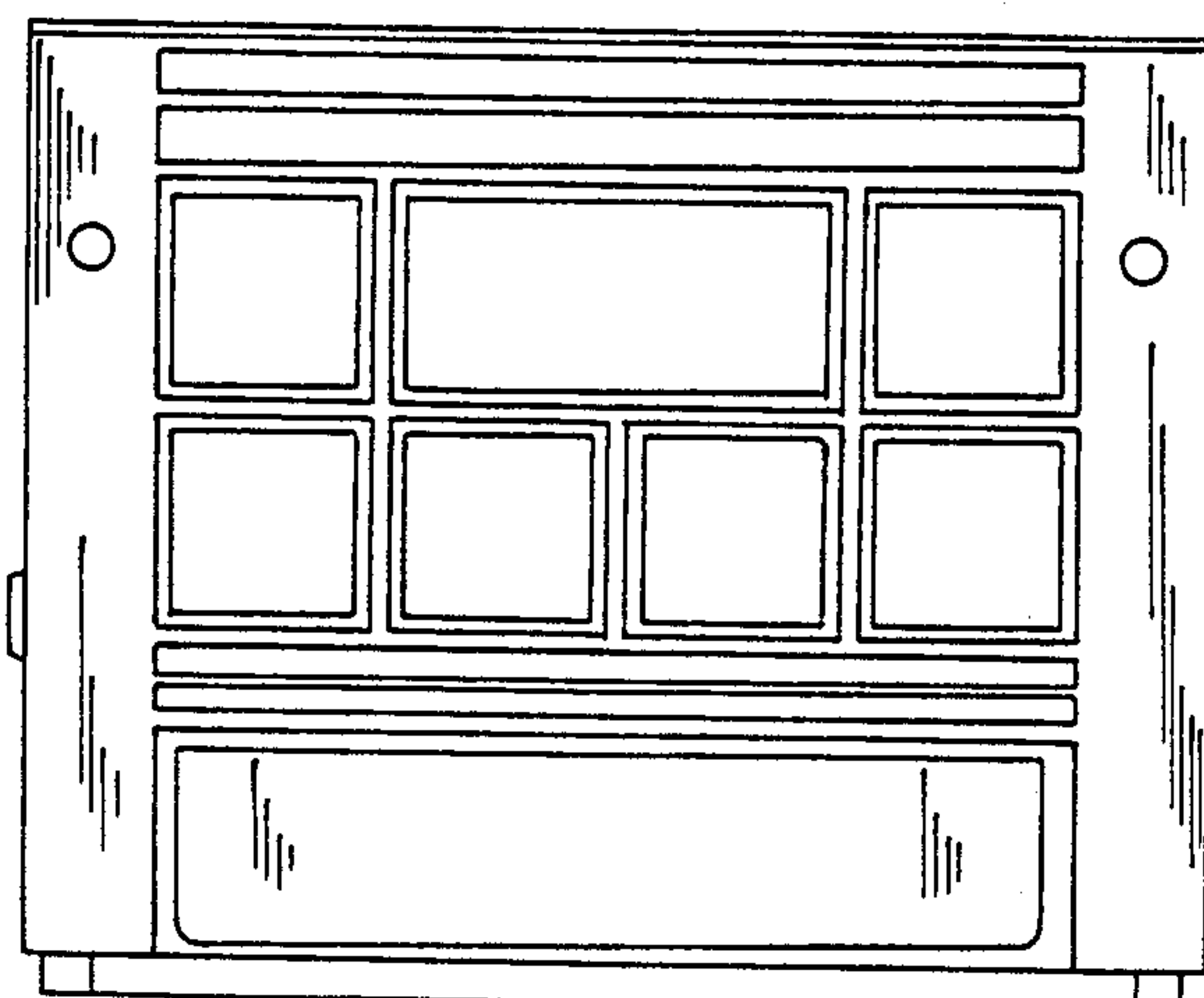


FIG. 3

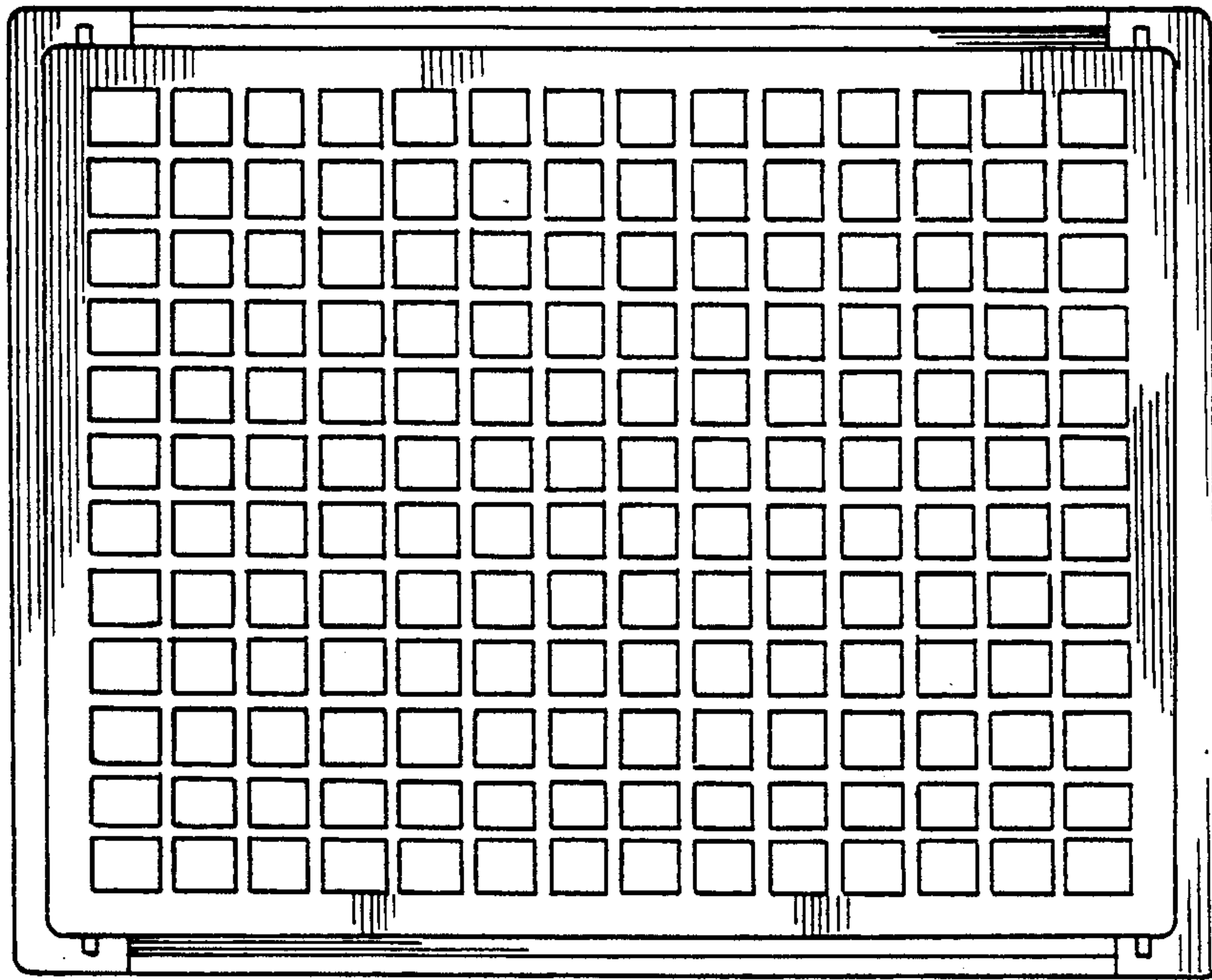


FIG. 4

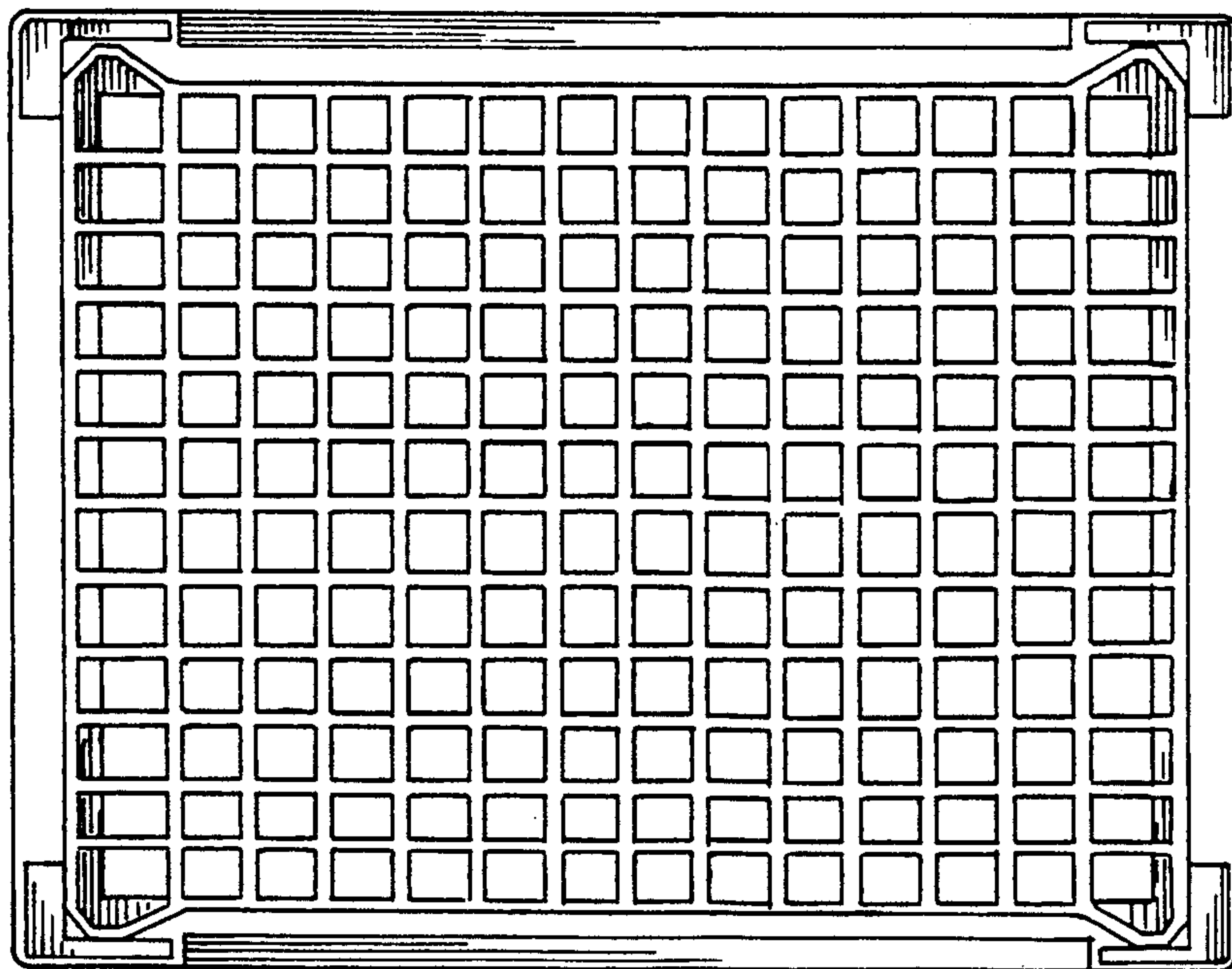


FIG. 5