

[54] WHEELCHAIR HOIST FOR VEHICLES  
 [75] Inventor: Meindert A. Olyslagers, Coult's Crossing, Australia  
 [73] Assignee: Grafton Industries Pty Ltd., Australia  
 [\*\*] Term: 14 Years  
 [21] Appl. No.: 238,164  
 [22] Filed: Aug. 30, 1988

[30] Foreign Application Priority Data  
 Jun. 21, 1988 [AU] Australia ..... 2051/88  
 [52] U.S. Cl. .... D34/28  
 [58] Field of Search ..... D34/28; D5/83; 414/539

[56] References Cited  
 U.S. PATENT DOCUMENTS  
 4,111,329 9/1978 Webster ..... 414/539 X  
 4,726,730 2/1988 McConnell ..... D34/29 X

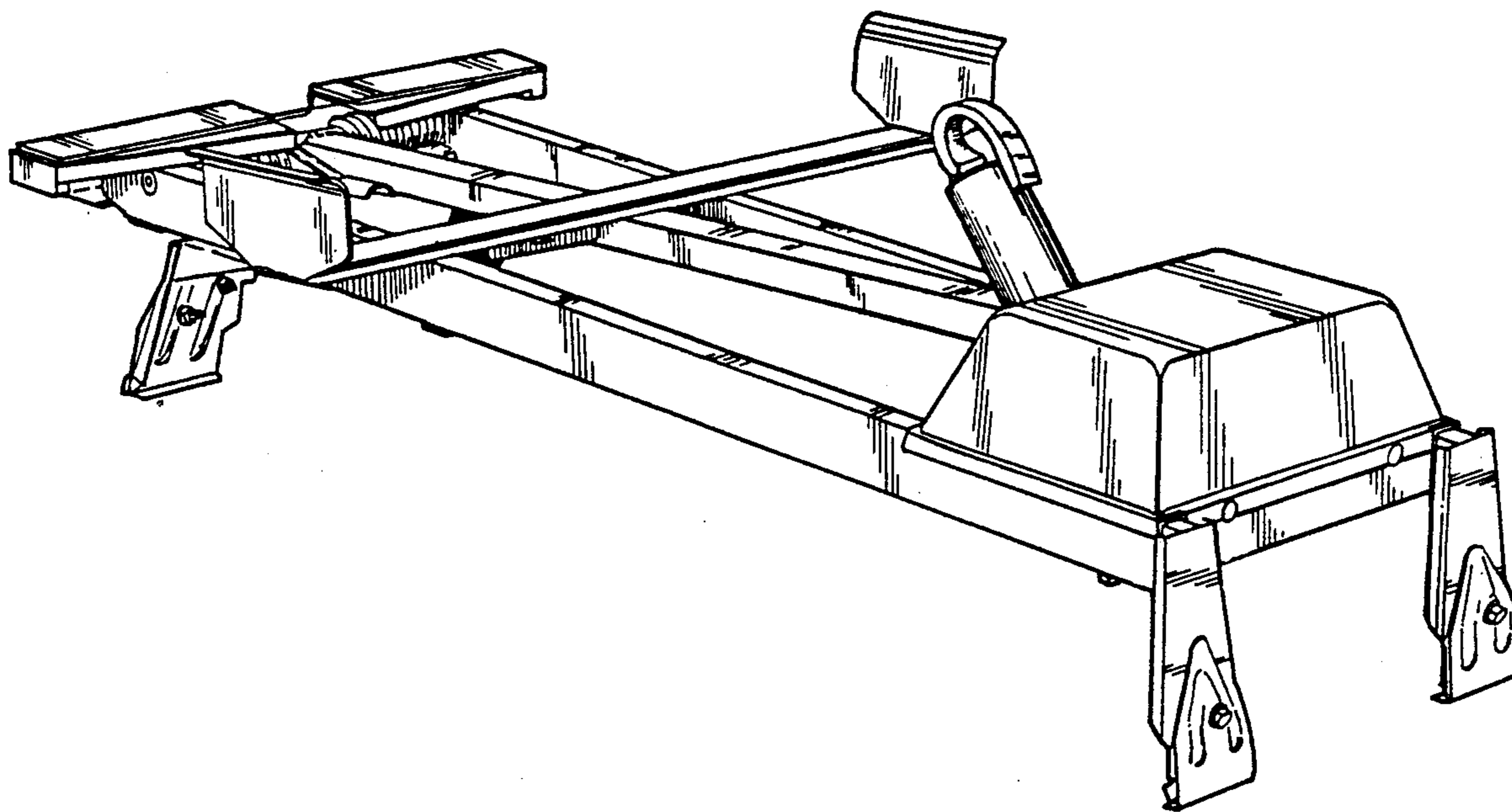
Primary Examiner—Wallace R. Burke  
 Assistant Examiner—Howy Baynham  
 Attorney, Agent, or Firm—Kimmel, Crowell & Weaver

[57] CLAIM

The ornamental design for a wheelchair hoist for vehicles, as shown.

DESCRIPTION

FIG. 1 is a bottom plan view of a wheelchair hoist for vehicles showing my new design;  
 FIG. 2 is a bottom plan thereof;  
 FIG. 3 is a side elevation view from one side thereof;  
 FIG. 4 is a side elevation view, from the opposite side, thereof;  
 FIG. 5 is an end elevation view, from one side, thereof;  
 FIG. 6 is an end elevation view, from the opposite end, thereof;  
 FIG. 7 is a top perspective view thereof; and  
 FIG. 8 is a bottom perspective view thereof.



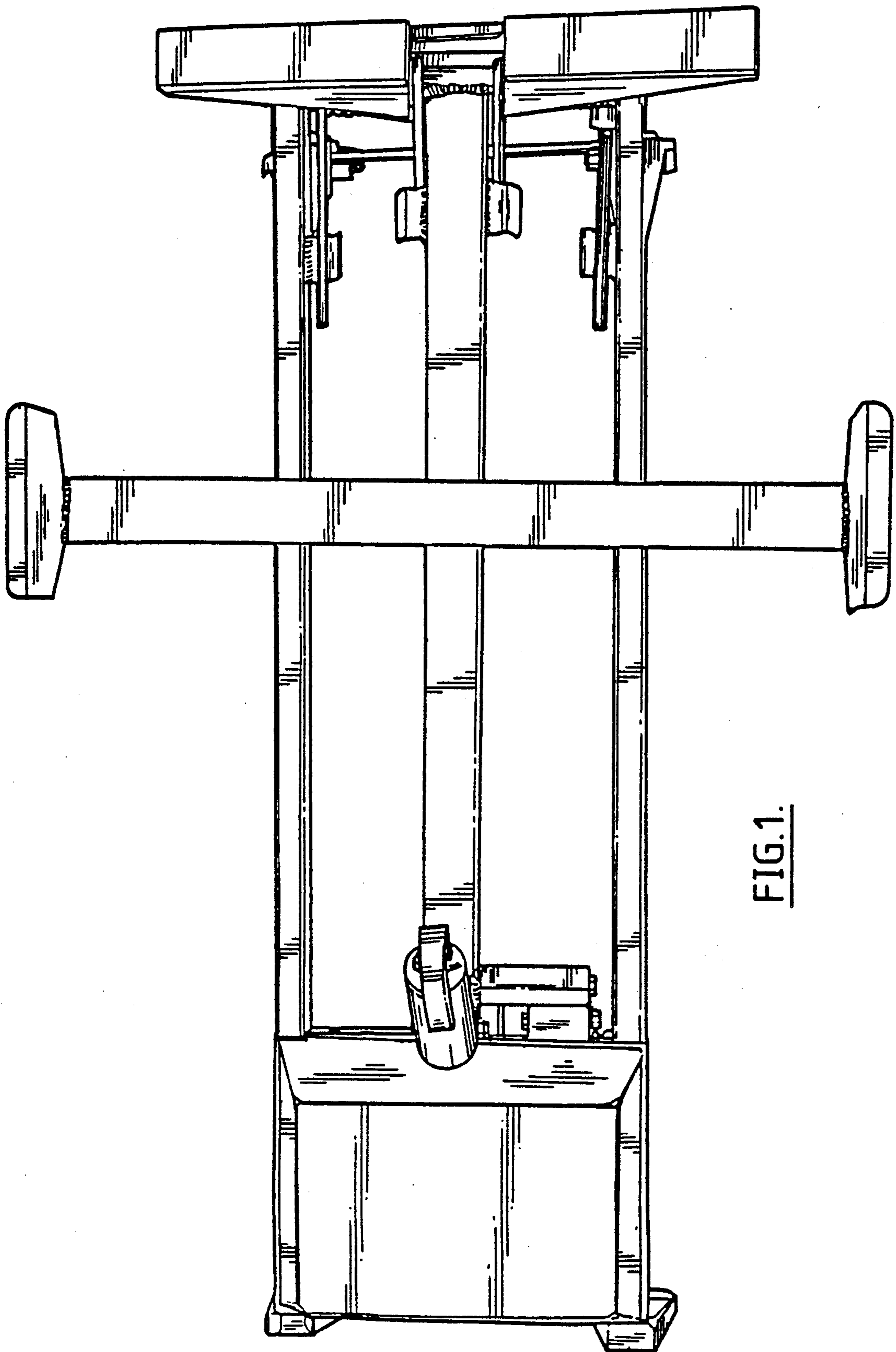


FIG. 1.

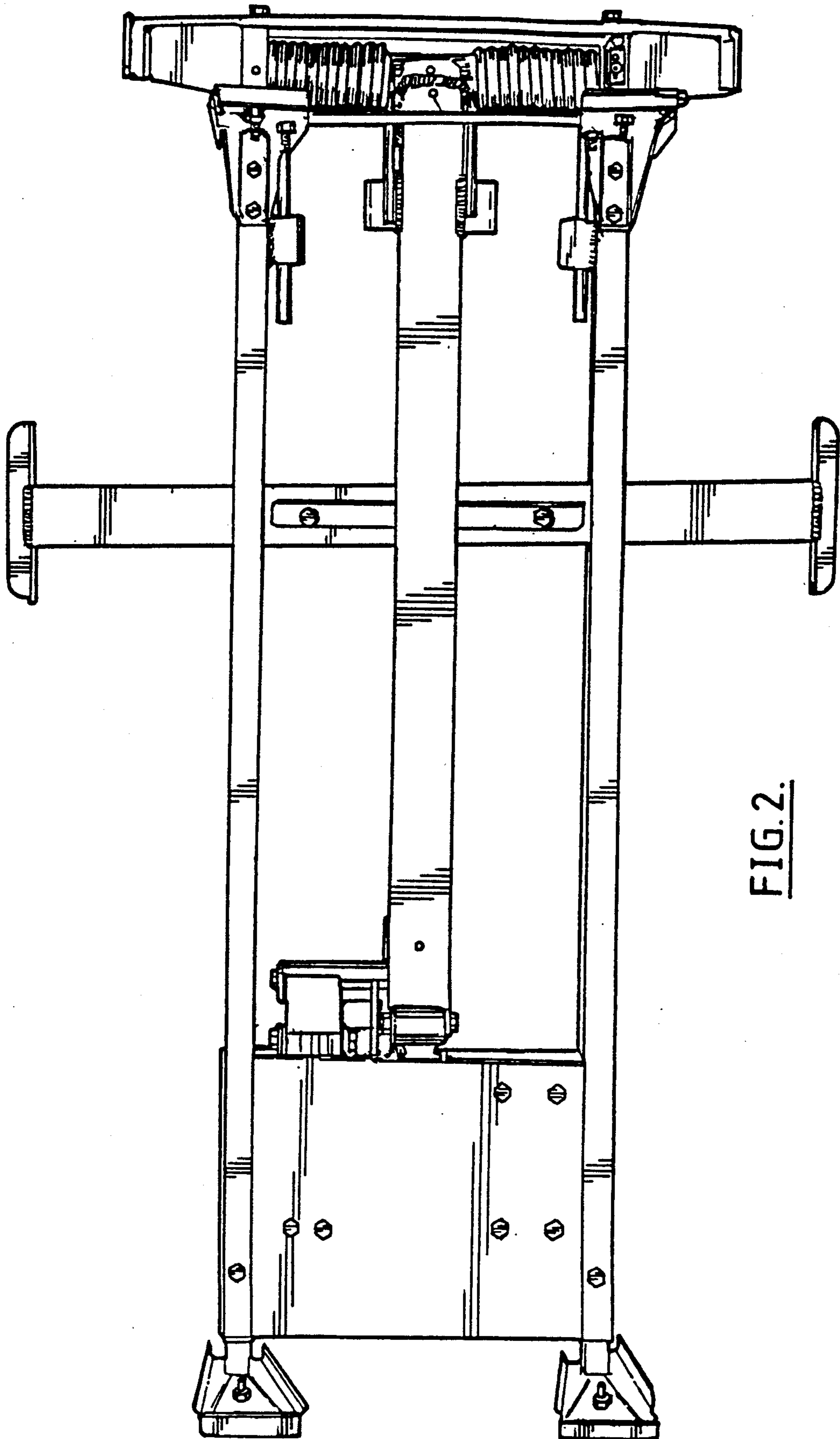


FIG. 2.

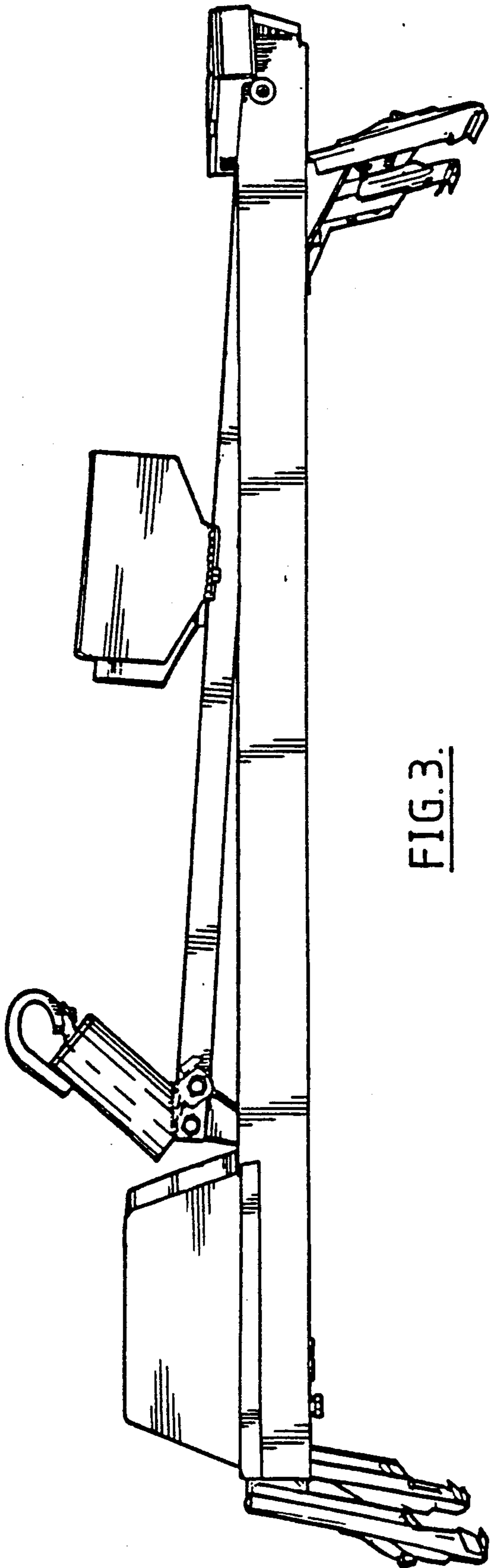


FIG. 3.

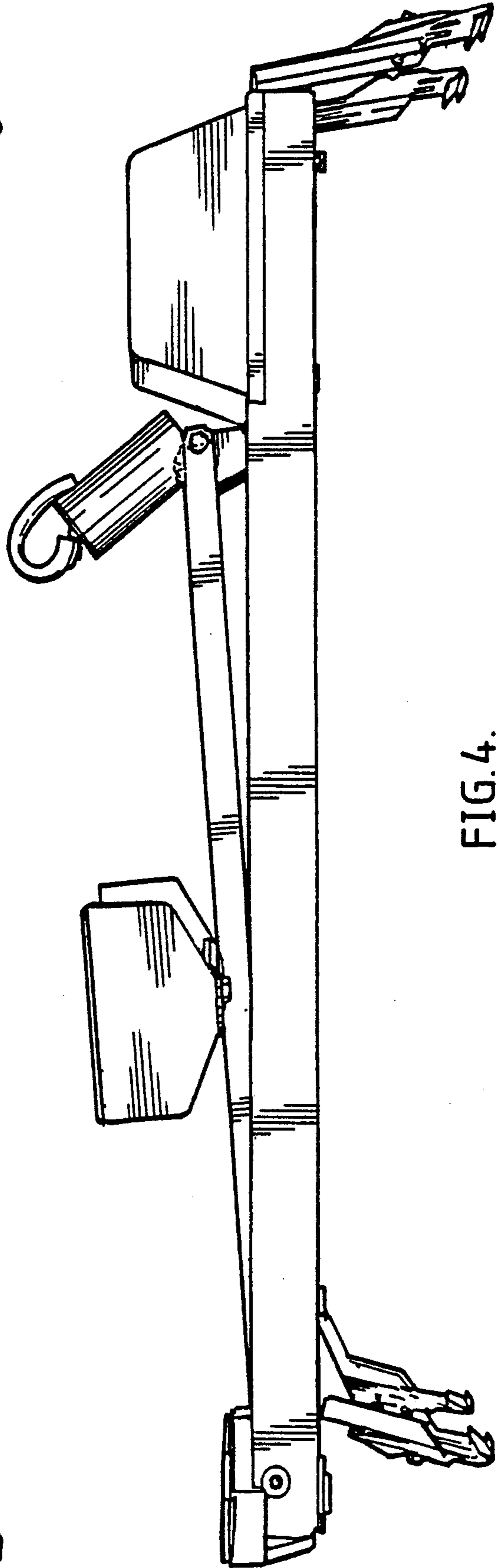


FIG. 4.

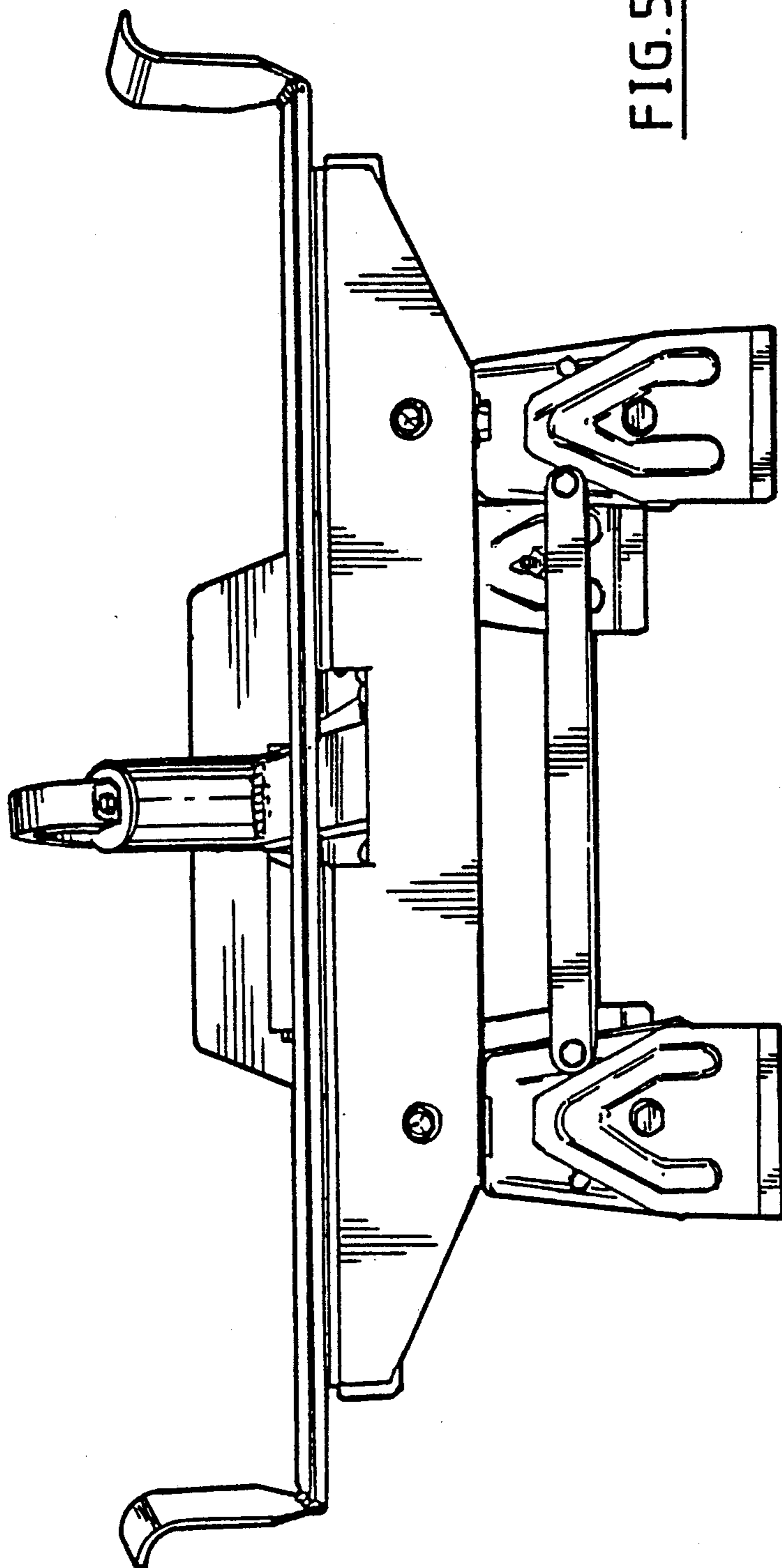


FIG. 5.

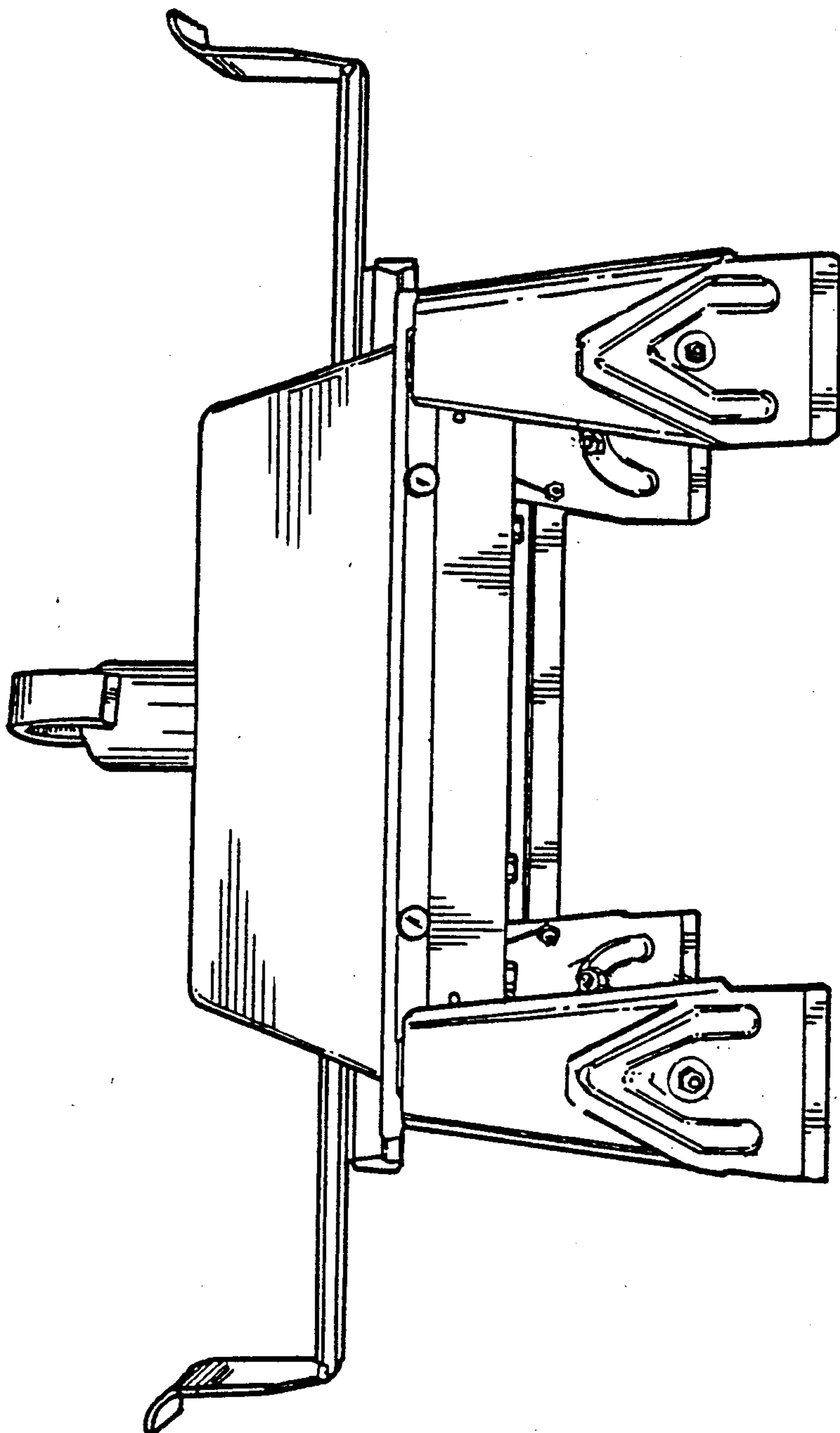


FIG. 6.

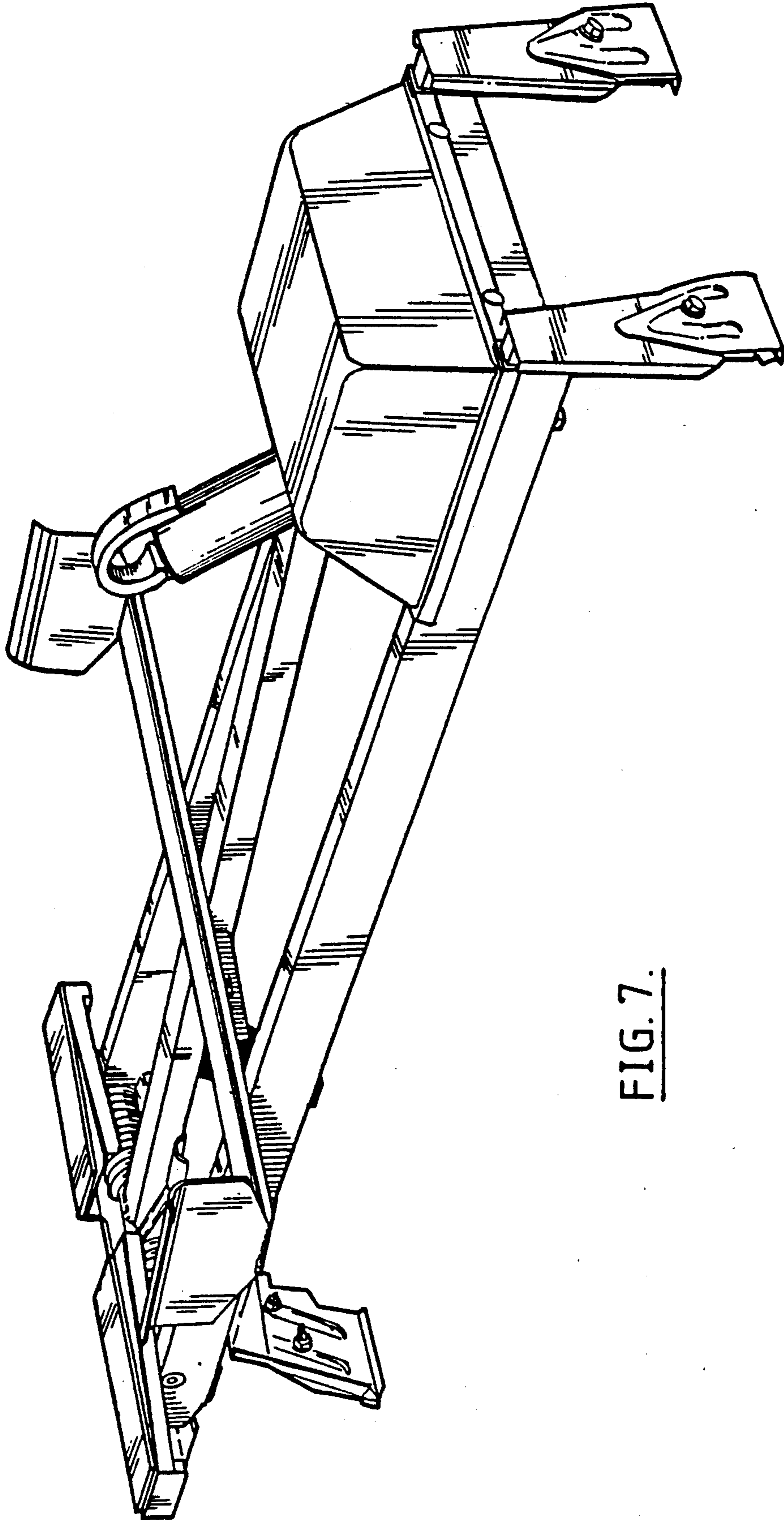


FIG. 7.

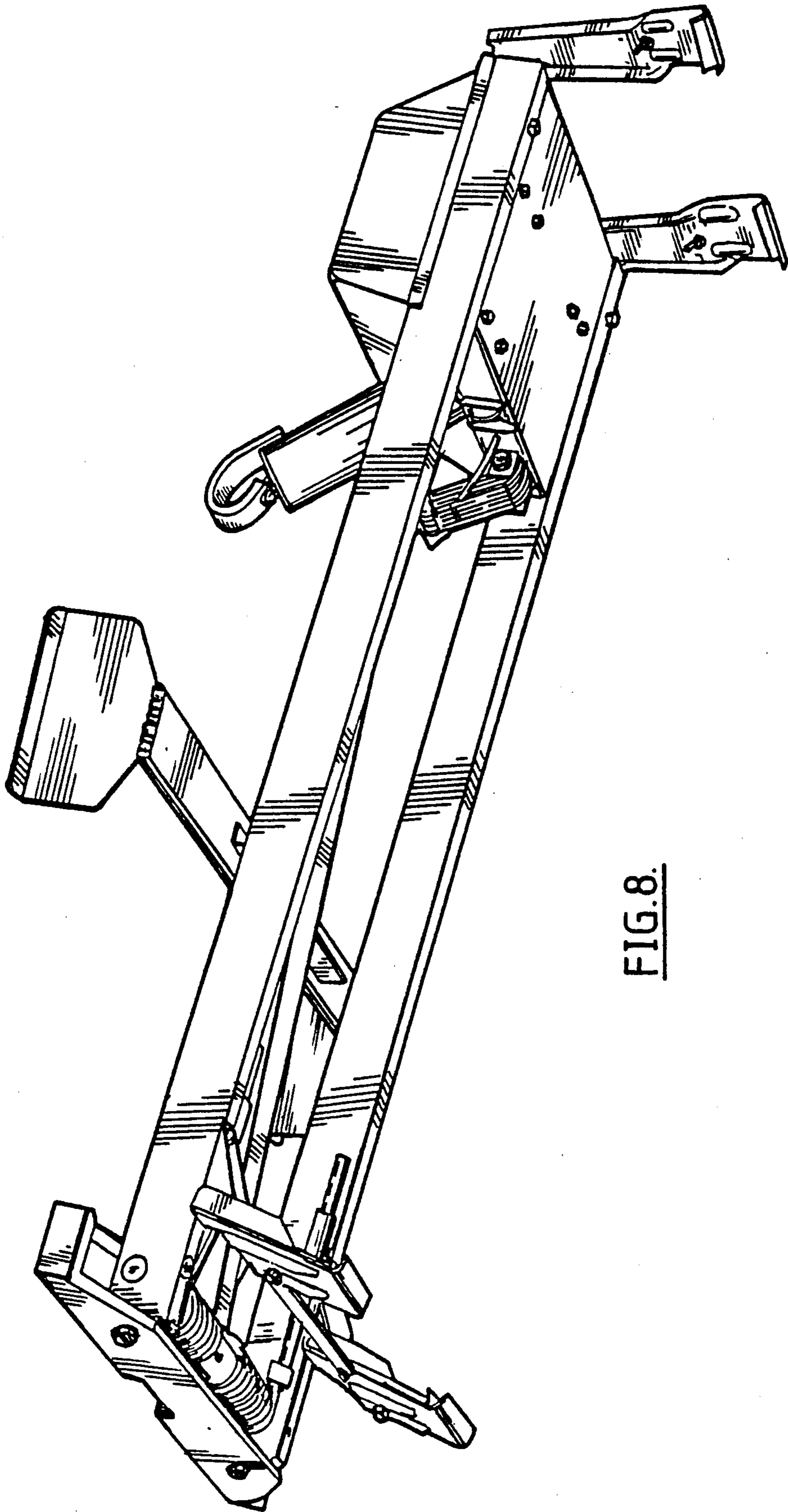


FIG. 8.