

[54] **KNEE COASTER**

[76] **Inventor: Harry Jackson, late of 332 Rolfe Rd., De Kalb, Ill. 60115, Rhea V. Smith, executrix**

[**] **Term: 14 Years**

[21] **Appl. No.: 170,466**

[22] **Filed: Feb. 21, 1988**

[52] **U.S. Cl. D34/23**

[58] **Field of Search D34/12, 17, 23; 280/32.6, 32.5, 79.1, 43.24**

[56] **References Cited**

U.S. PATENT DOCUMENTS

D. 242,909 1/1977 Miller D34/23
D. 299,076 12/1988 Whiteside D34/23
D. 301,078 5/1989 Szpot D34/23
2,487,706 11/1949 Happ 280/32.6

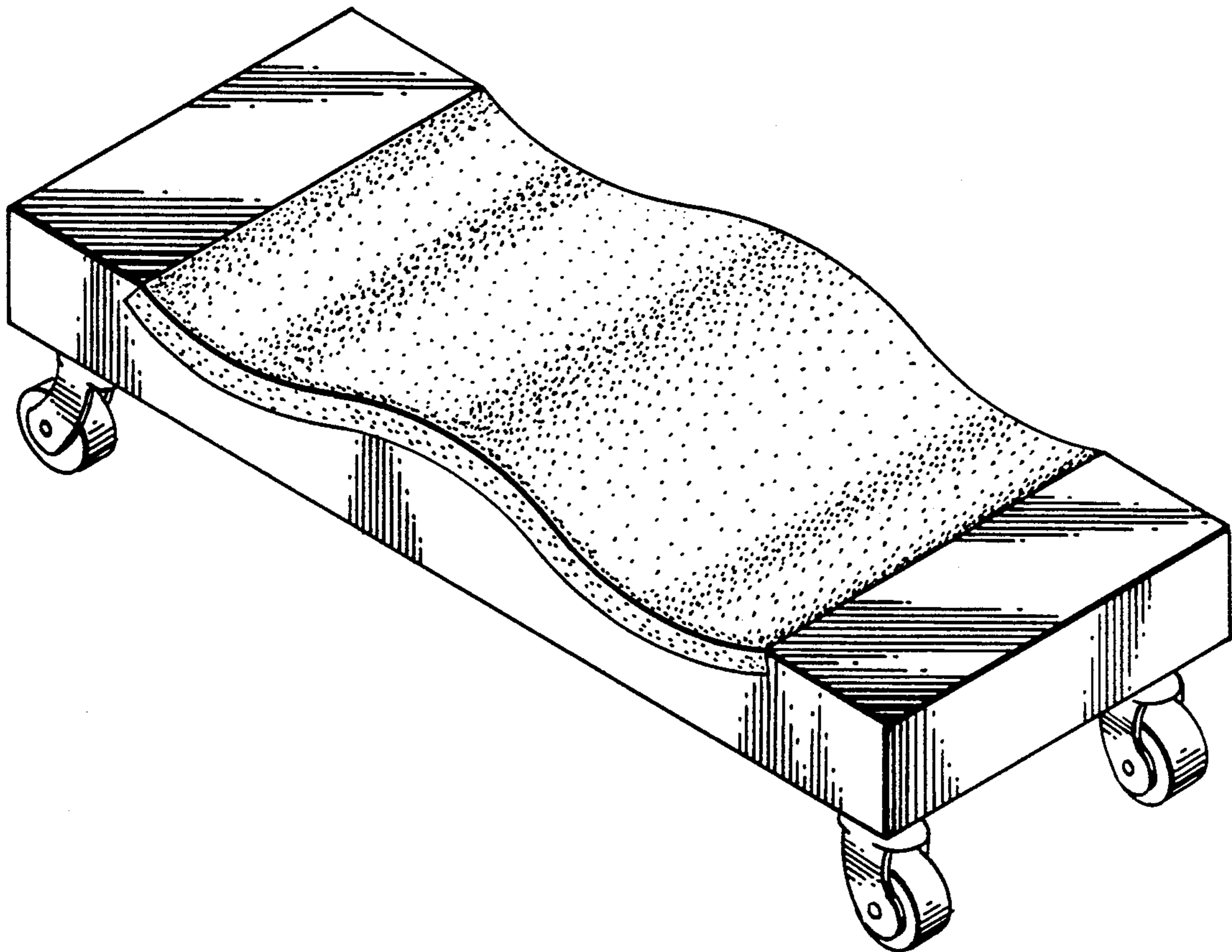
Primary Examiner—Kay H. Chin
Attorney, Agent, or Firm—Steven E. Kahm

[57] **CLAIM**

The ornamental design for a knee coaster, as shown and described.

DESCRIPTION

FIG. 1 is a front and top perspective view of a knee coaster showing my new design;
FIG. 2 is a side elevation view thereof, the opposite side view being a mirror image of that shown;
FIG. 3 is a bottom plan view thereof.



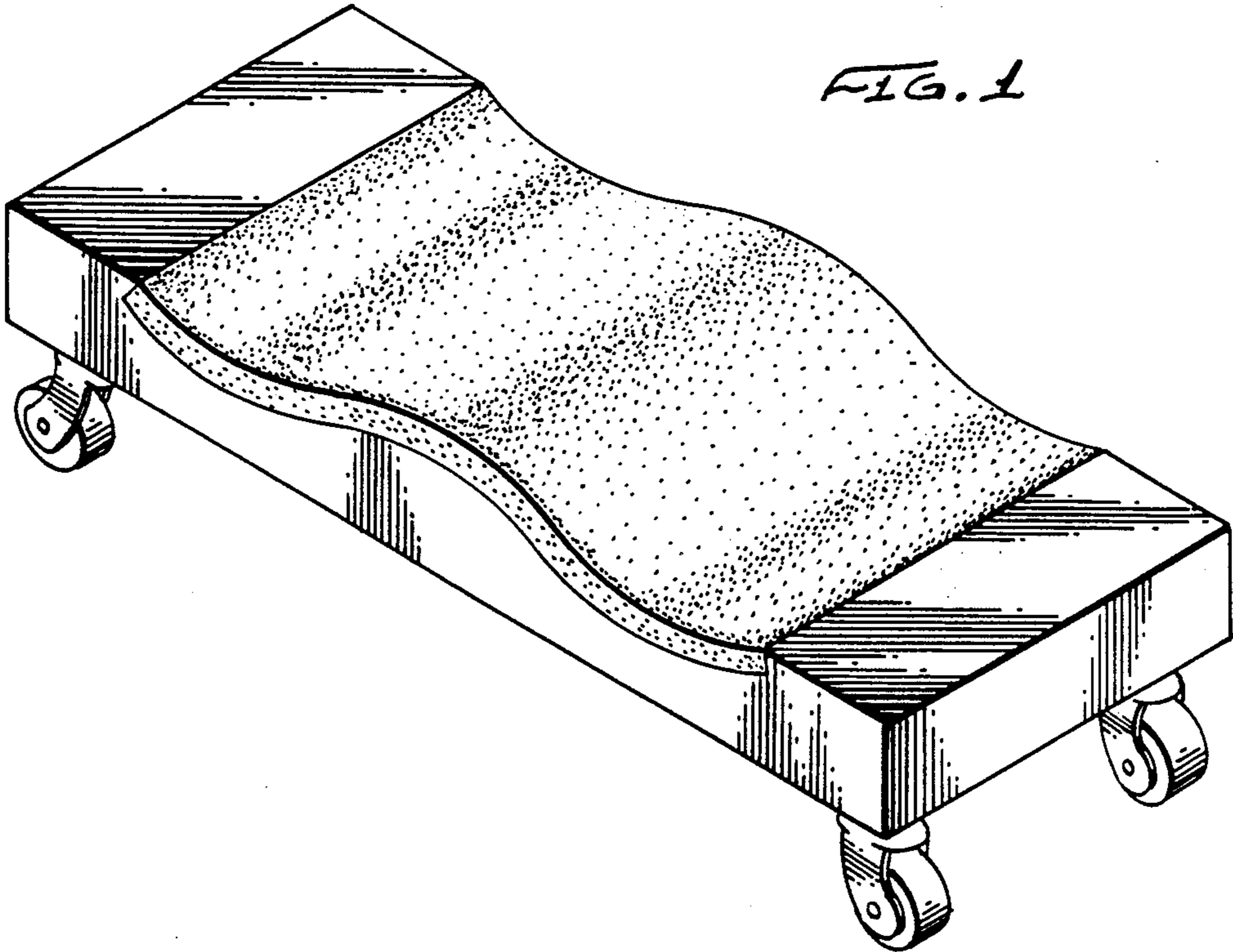


FIG. 1

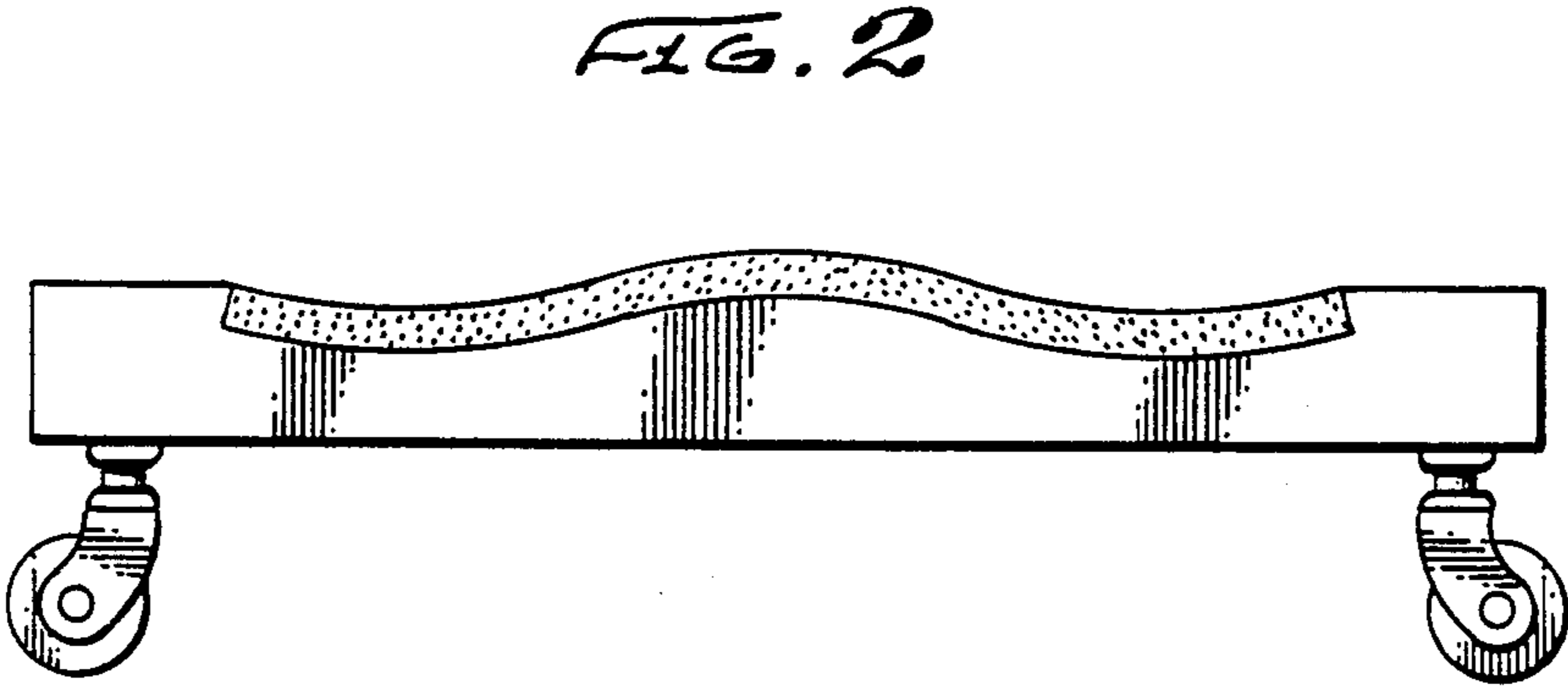


FIG. 2

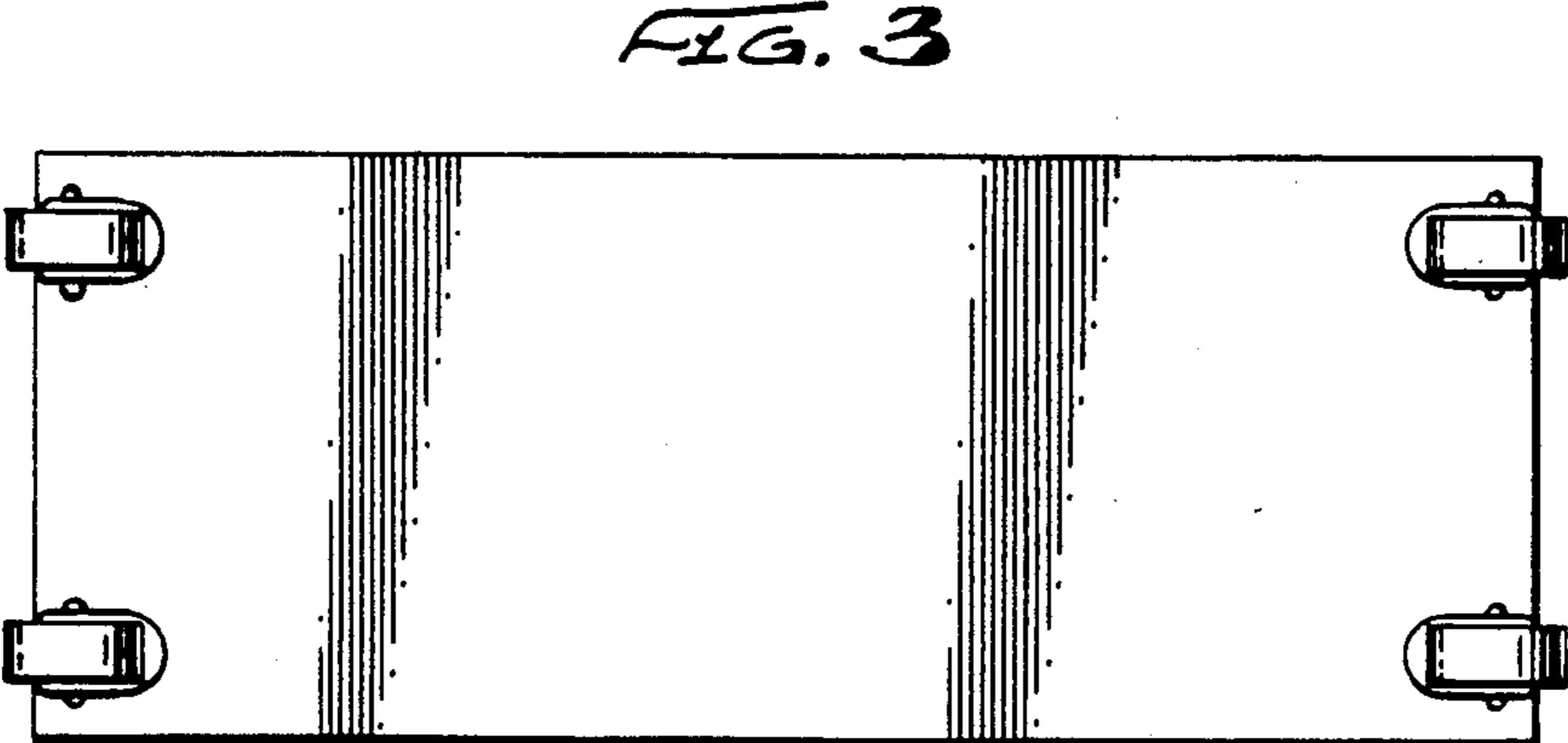


FIG. 3