

**United States Patent** [19]

**Ross, Jr. et al.**

[11] **Patent Number: Des. 314,651**

[45] **Date of Patent: \*\* Feb. 12, 1991**

[54] **AUTOMOBILE-SHAPED VACUUM CLEANER**

[75] **Inventors: Robert M. Ross, Jr., Garland; Robert J. McNally, Richardson, both of Tex.**

[73] **Assignee: Great Western Trading Co., Inc., Plano, Tex.**

[\*\*] **Term: 14 Years**

[21] **Appl. No.: 472,614**

[22] **Filed: Jan. 30, 1990**

[52] **U.S. Cl. .... D32/18; D21/136; D21/139**

[58] **Field of Search ..... D32/17-18; D21/128, 136, 137; 15/344, 329**

[56] **References Cited**

**U.S. PATENT DOCUMENTS**

- D. 238,651 2/1976 Fortune ..... D32/18
- D. 280,142 8/1985 Pudwill ..... D32/18

- D. 287,657 1/1987 Yuen ..... D32/18
- D. 301,352 5/1989 Doi ..... D21/136
- D. 303,025 8/1989 Yamamoto et al. .... D32/18

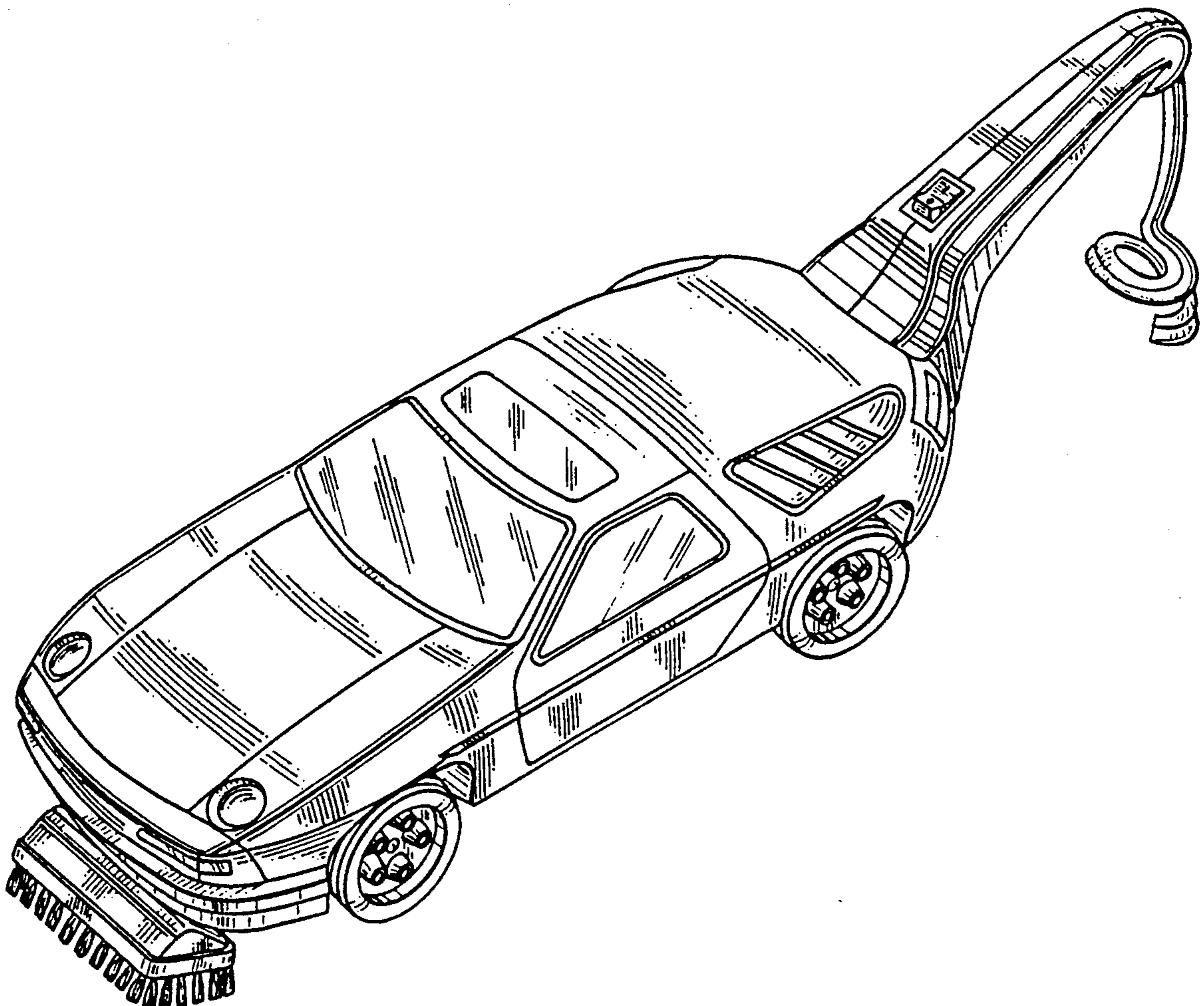
*Primary Examiner*—A. Hugo Word  
*Assistant Examiner*—Ruth McInroy  
*Attorney, Agent, or Firm*—Neuman, Williams, Anderson & Olson

[57] **CLAIM**

The ornamental design for an automobile shaped vacuum cleaner, as shown and described.

**DESCRIPTION**

FIG. 1 is a top perspective view of an automobile shaped vacuum cleaner showing our new design; FIG. 2 is a front elevational view thereof; FIG. 3 is a side elevational view thereof; FIG. 4 is a rear elevational view thereof; FIG. 5 is a top plan view thereof; and FIG. 6 is a bottom plan view thereof; The electric cord is shown broken away in FIGS. 1, 3, 4, 5 and 6 for ease of illustration and is understood to represent indeterminate length.



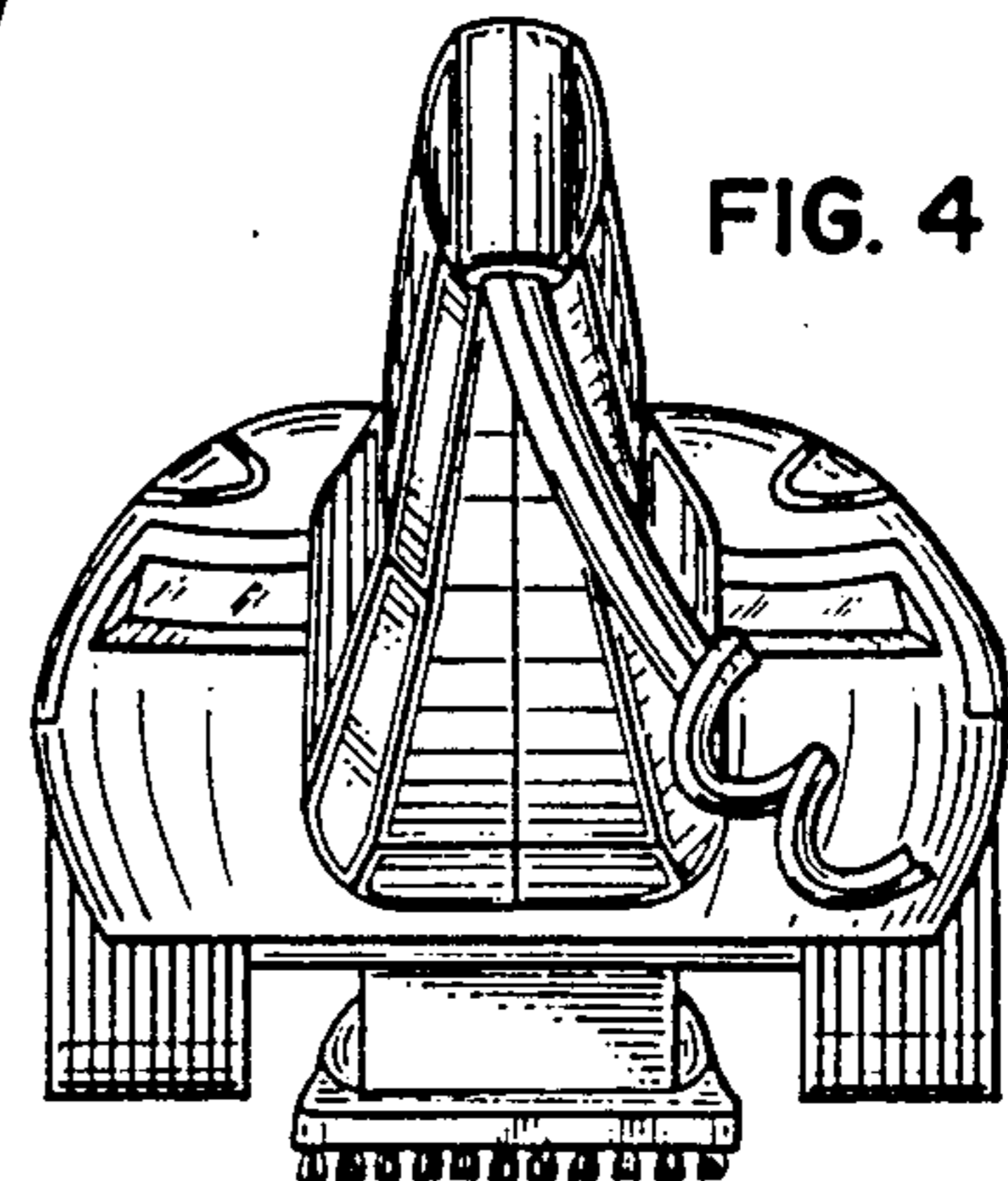
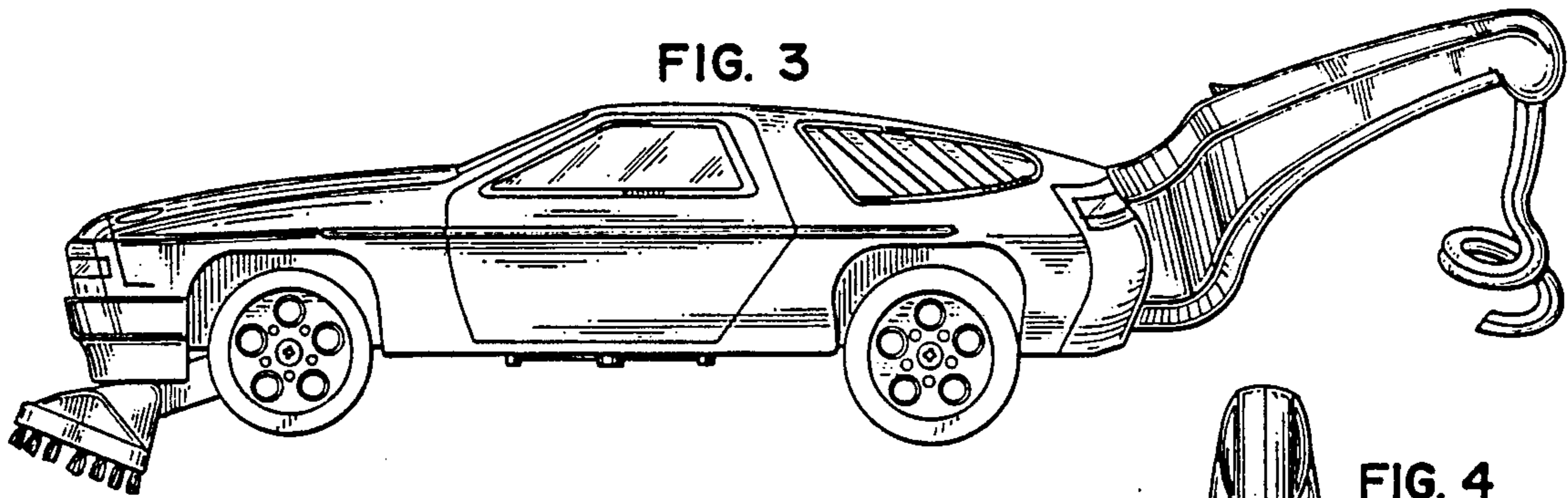
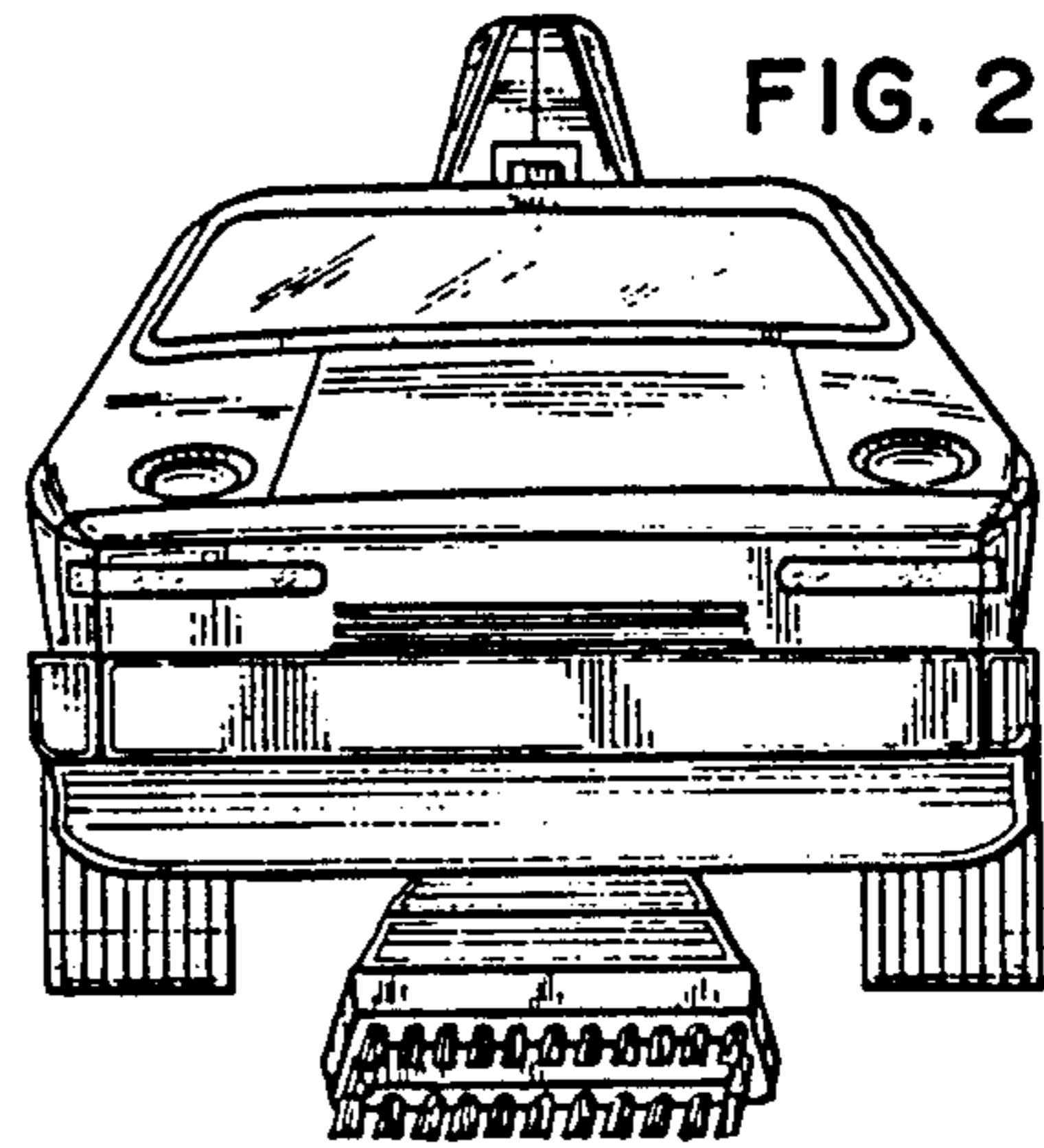
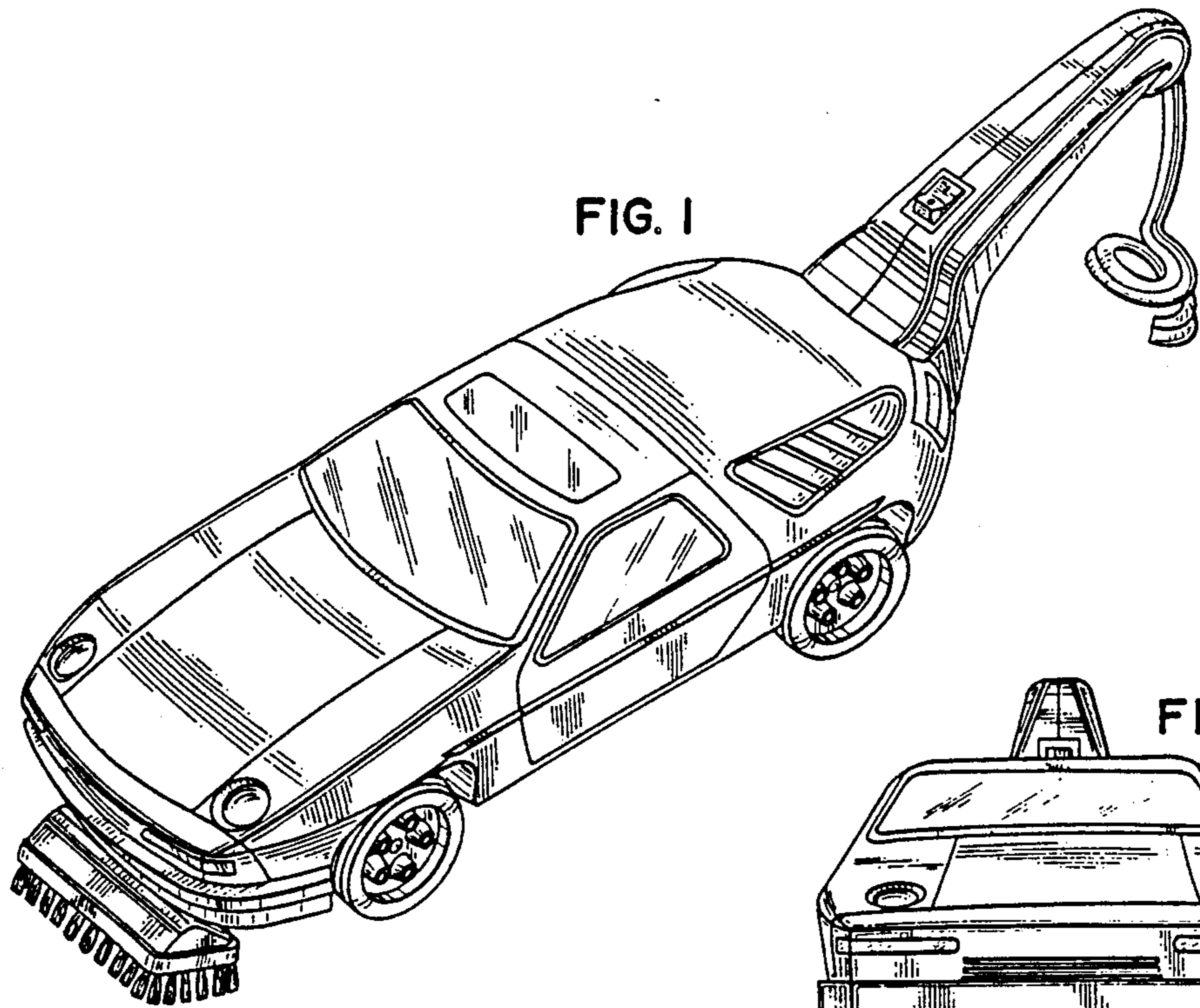


FIG. 5

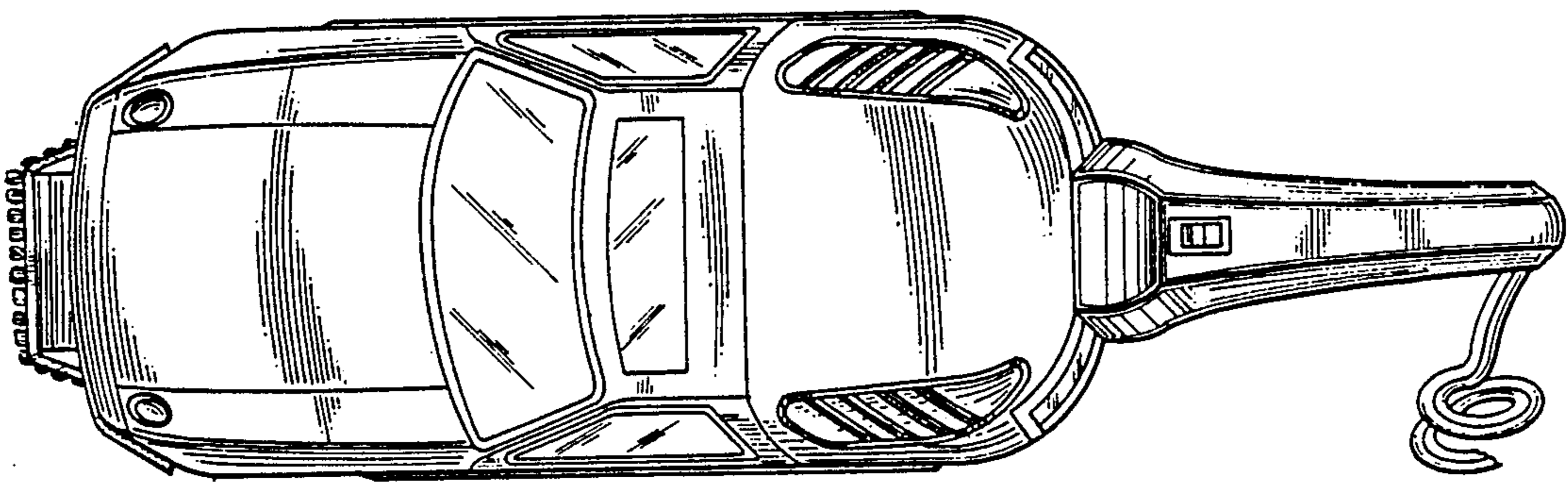


FIG. 6

