

[54] **IRONING PRESS WITH SLEEVE BOARD**

[75] **Inventor: Antonio Jimenez, Meyrin, Switzerland**

[73] **Assignee: Mefina S.A., Fribourg, Switzerland**

[**] **Term: 14 Years**

[21] **Appl. No.: 145,248**

[22] **Filed: Jan. 19, 1988**

[30] **Foreign Application Priority Data**

Jul. 16, 1987 [CH] Switzerland 116012
[52] **U.S. Cl. D32/9**
[58] **Field of Search D32/9; 38/1 R, 17**

[56] **References Cited**

U.S. PATENT DOCUMENTS

D. 225,451 12/1972 Jimenez D32/9
D. 275,808 10/1984 Baruffa et al. D32/9
D. 275,901 10/1984 Baruffa et al. D32/9
D. 287,774 1/1987 Primati D32/9
3,757,440 9/1973 Fresard et al. 38/17

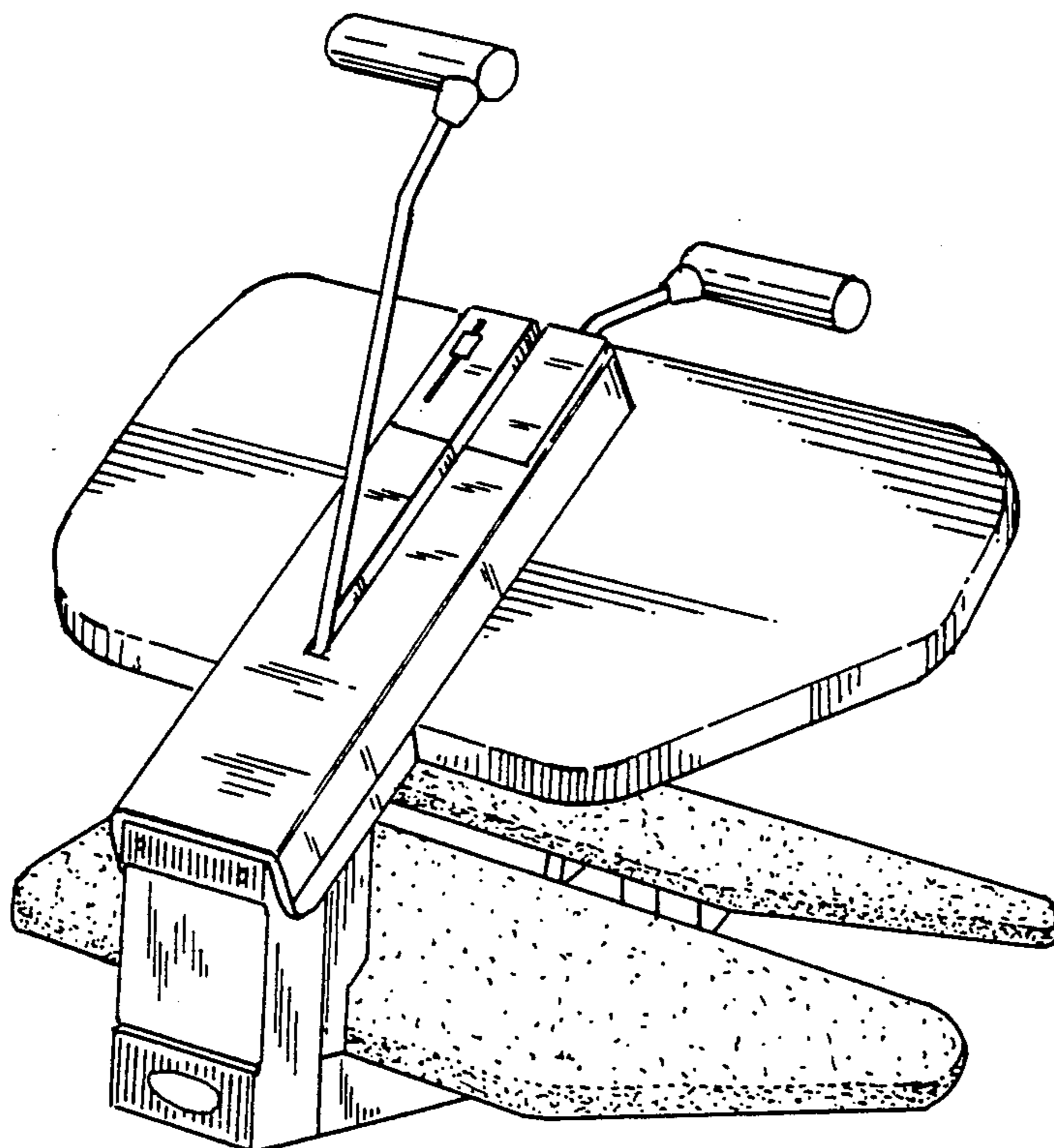
Primary Examiner—A. Hugo Word
Assistant Examiner—Paula Allen
Attorney, Agent, or Firm—Young & Thompson

[57] **CLAIM**

The ornamental design for an ironing press with sleeve board, as shown and described.

DESCRIPTION

FIG. 1 is a front elevational view of an ironing press with sleeve board, showing my new design, in a closed position;
FIG. 2 is a left side elevational view of FIG. 1;
FIG. 3 is a right side elevational view of FIG. 1;
FIG. 4 is a top plan view of FIG. 1;
FIG. 5 is a rear elevational view of FIG. 1;
FIG. 6 is a bottom plan view of FIG. 1;
FIG. 7 is a front elevational view thereof in a first opened position;
FIG. 8 is a left side elevational view of FIG. 7;
FIG. 9 is a right side elevational view of FIG. 7;
FIG. 10 is a top plan view of FIG. 7;
FIG. 11 is a rear perspective view from above, of FIG. 7;
FIG. 12 is a top and three-quarter rear perspective view from the left, of FIG. 7;
FIG. 13 is a front elevational view thereof in a second opened position;
FIG. 14 is a left side elevational view of FIG. 13;
FIG. 15 is a top perspective view of FIG. 13;
FIG. 16 is a top plan view of FIG. 13;
FIG. 17 is a top and three-quarter rear perspective view from the left, of FIG. 13; and
FIG. 18 is a bottom plan view of FIG. 13.



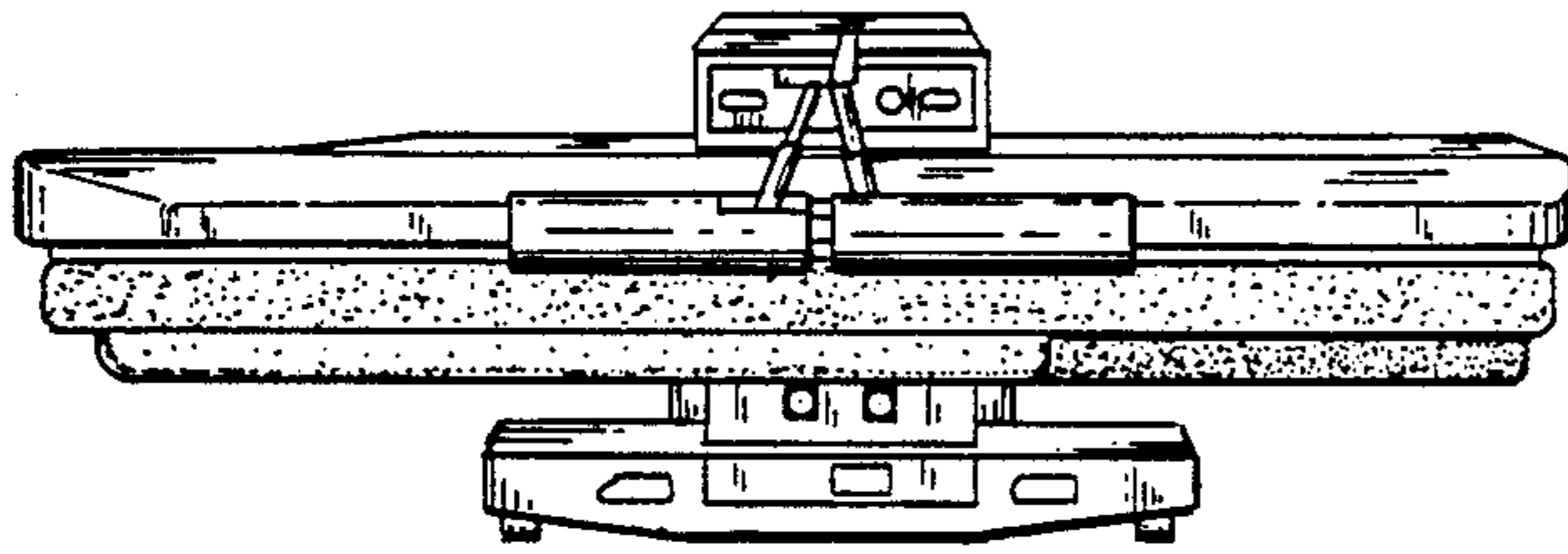


FIG. 1

FIG. 2

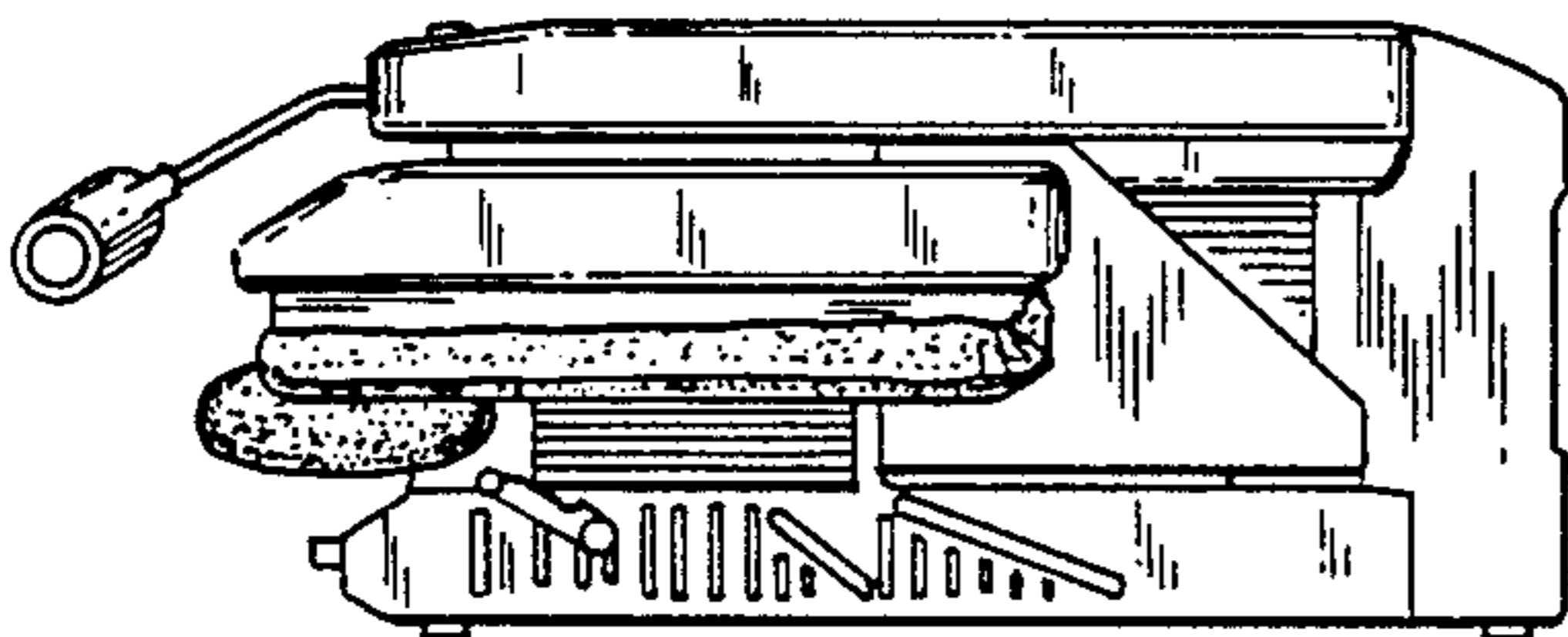
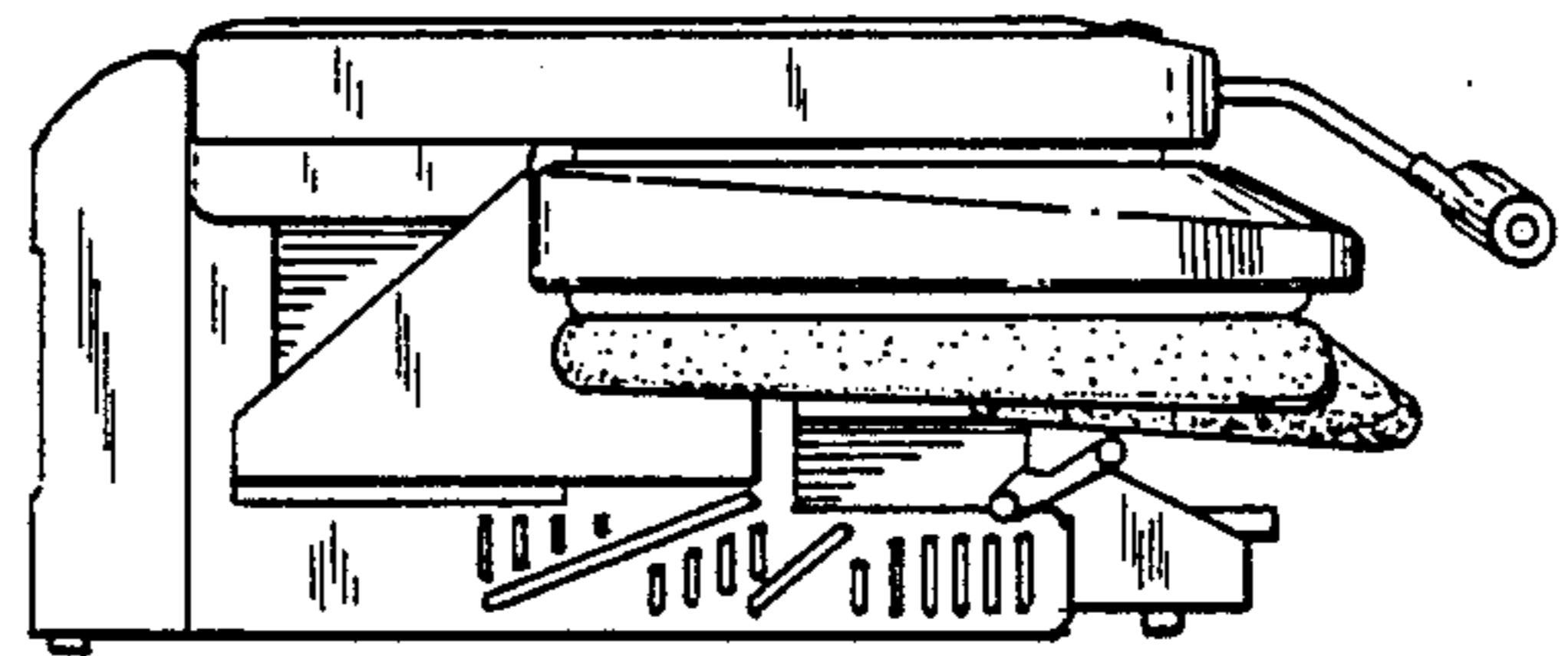
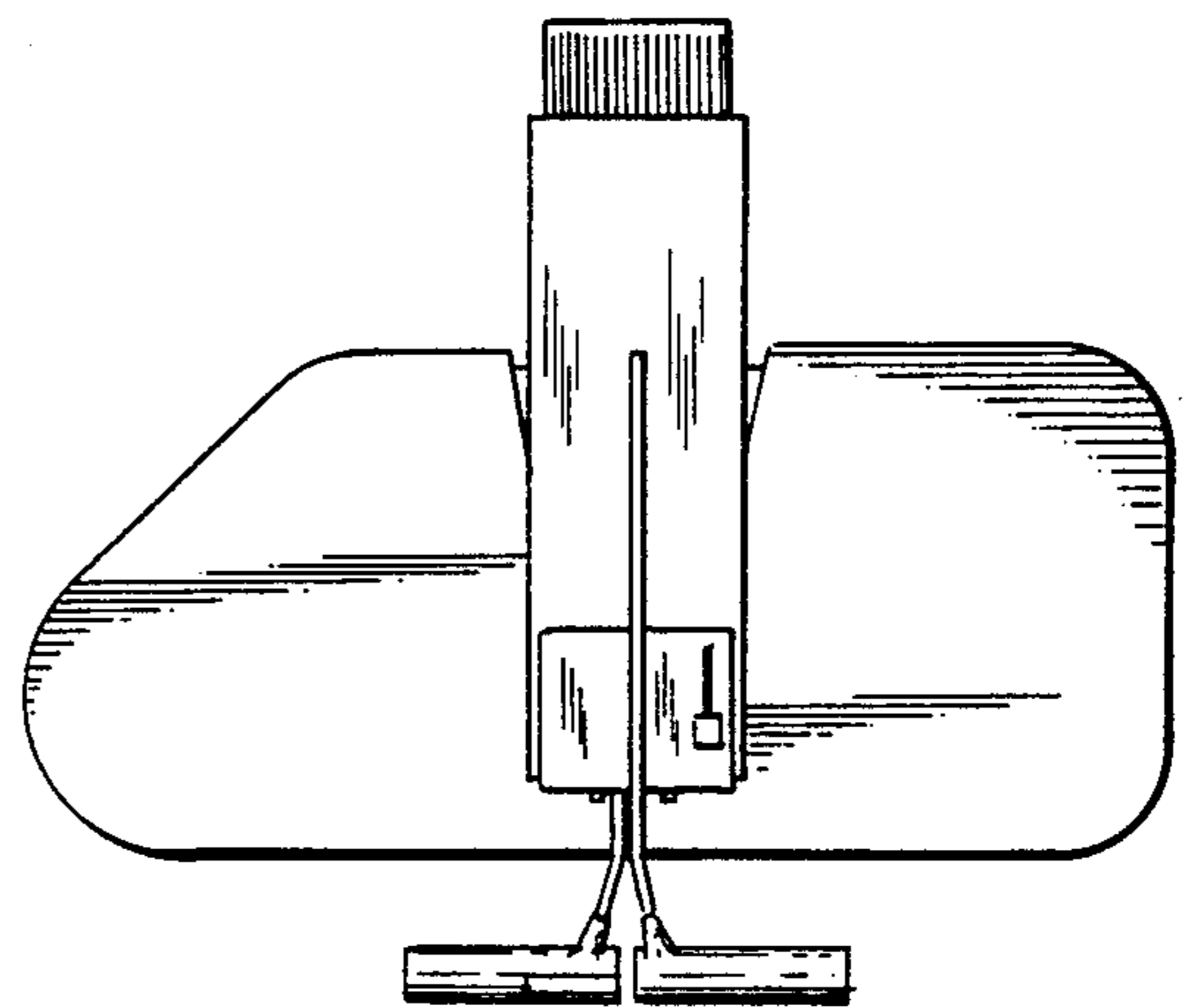


FIG. 3

FIG. 4



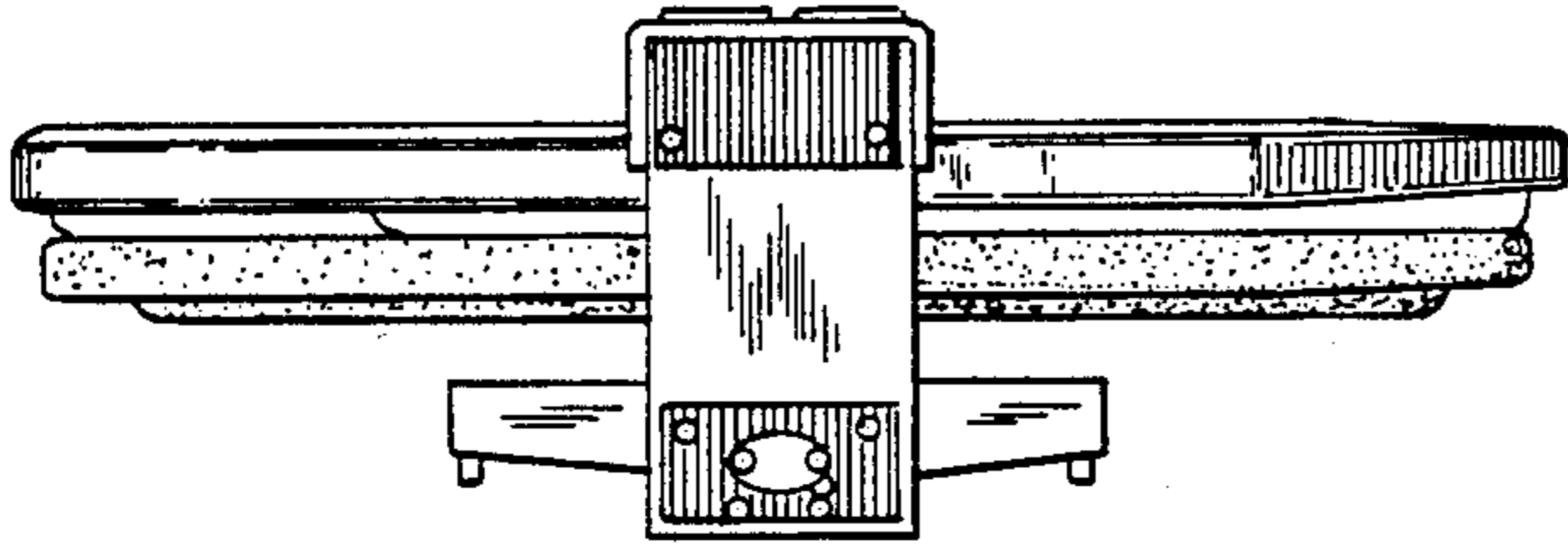


FIG. 5

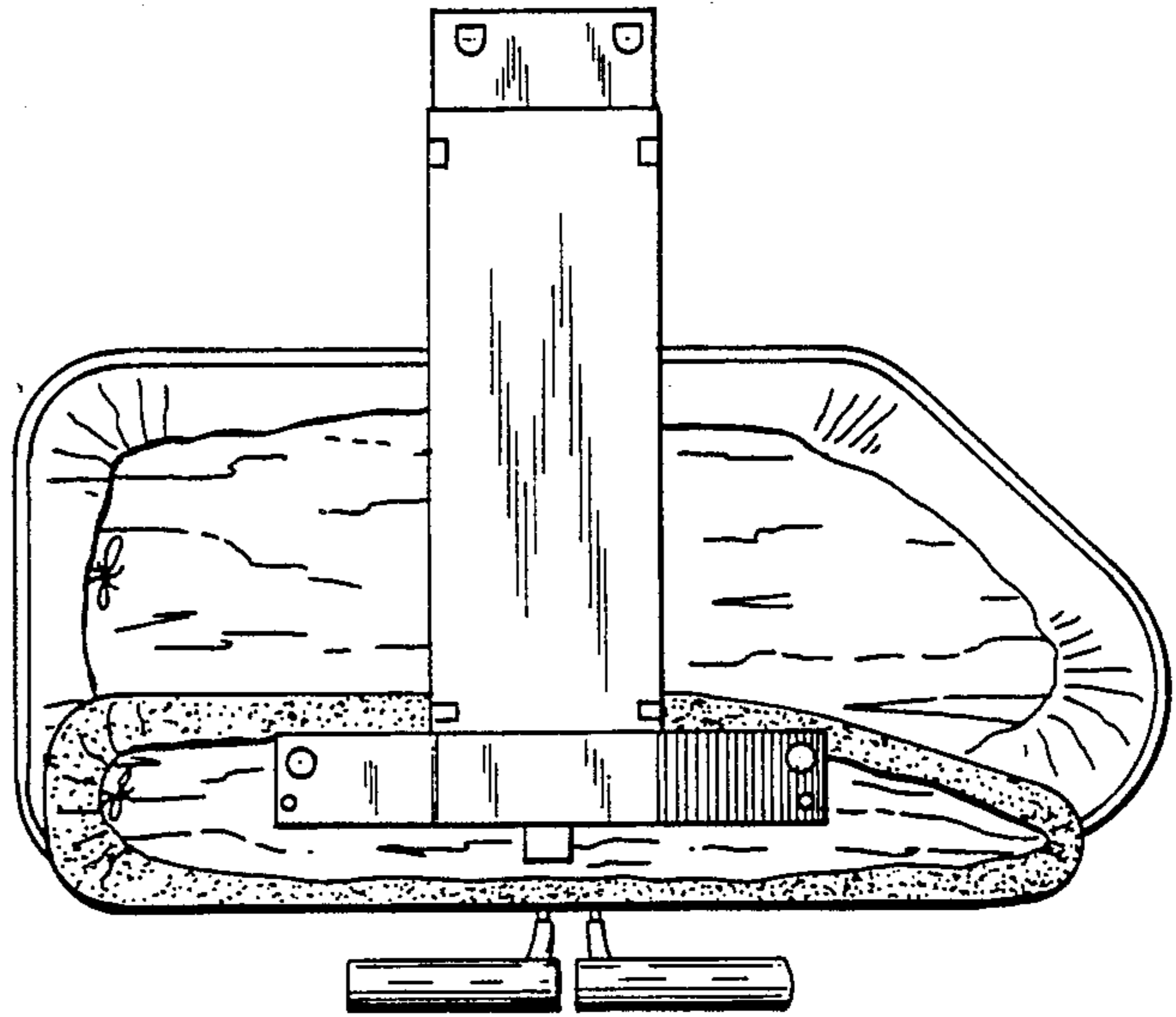


FIG. 6

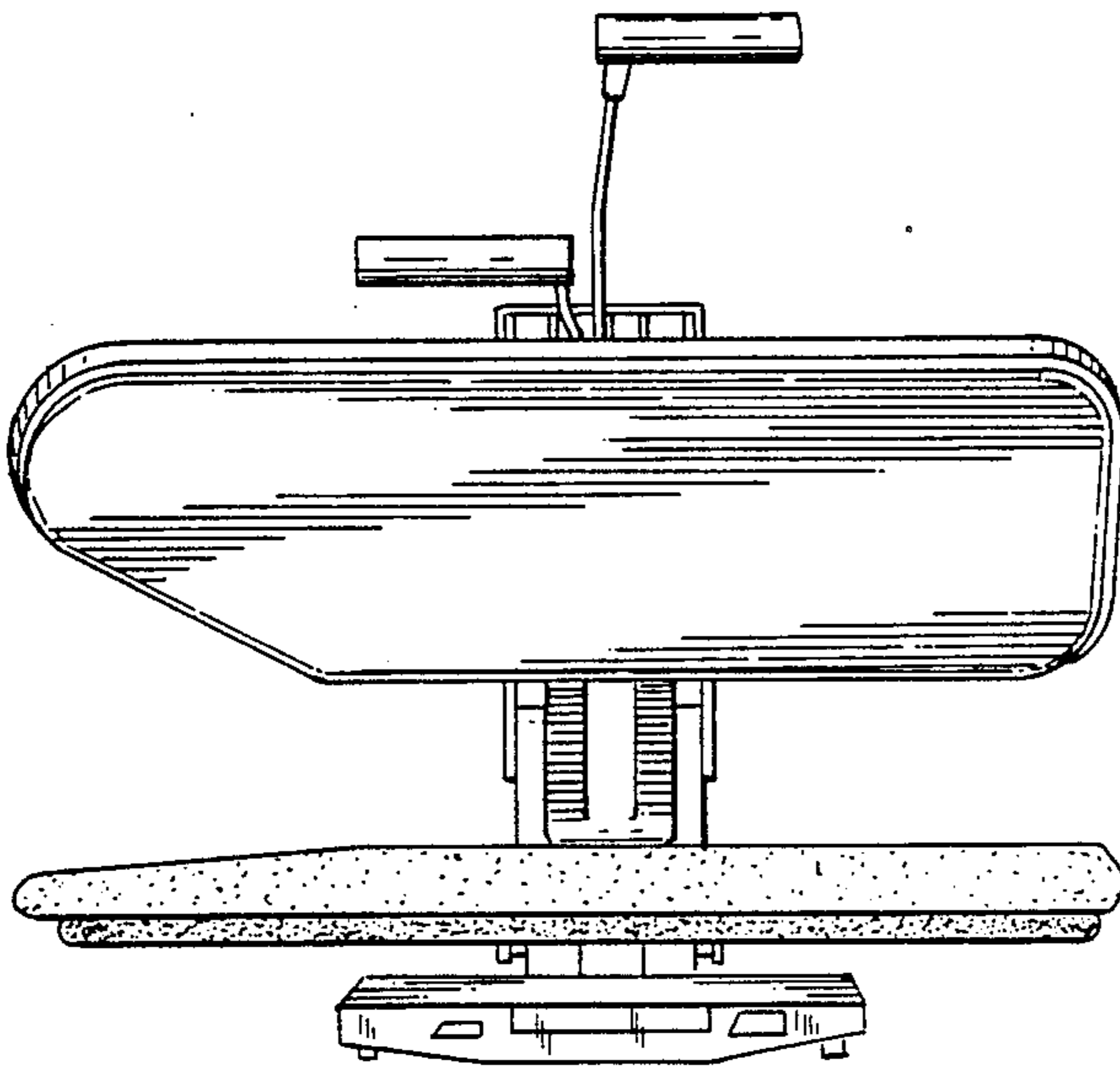


FIG. 7

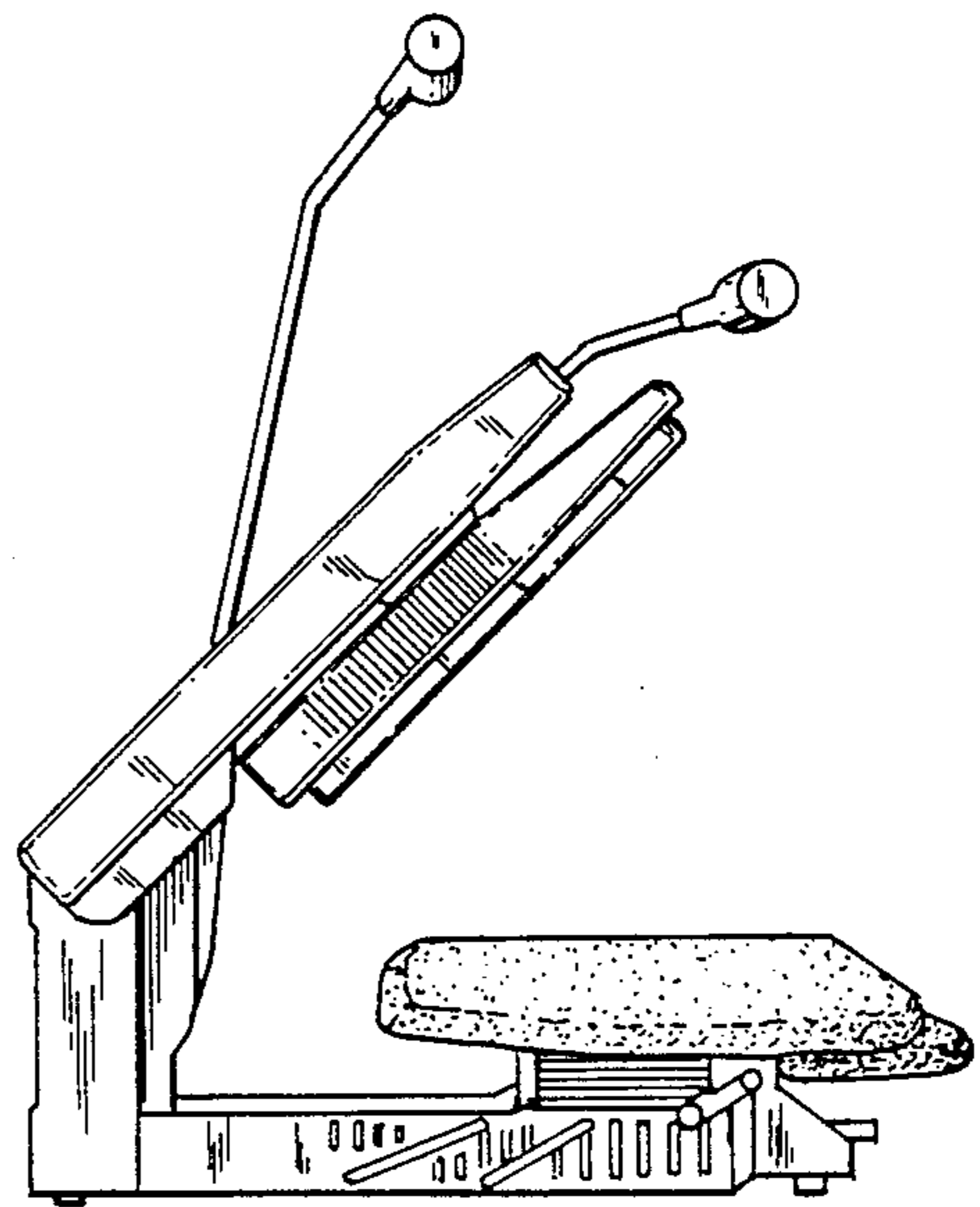


FIG. 8

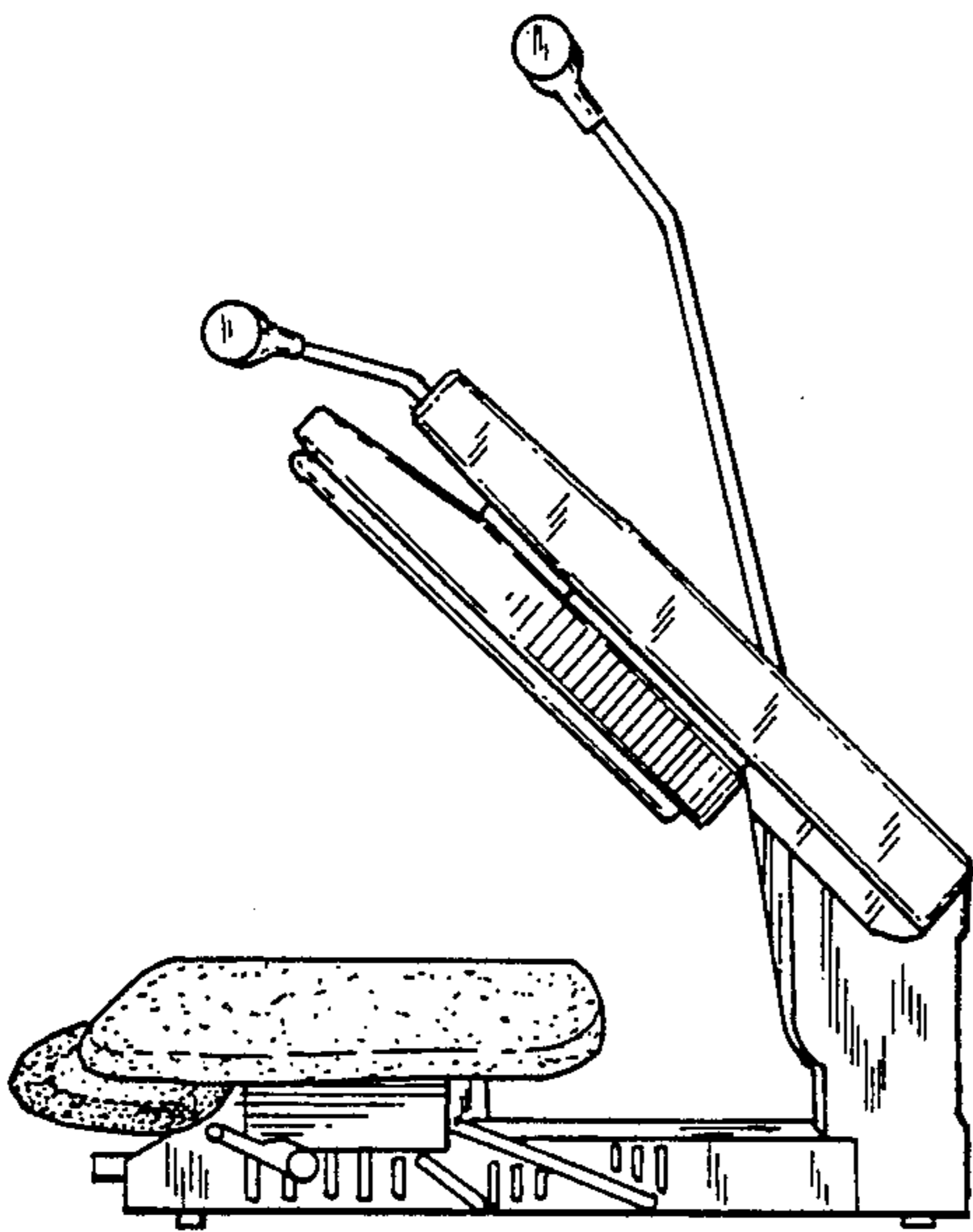


FIG. 9

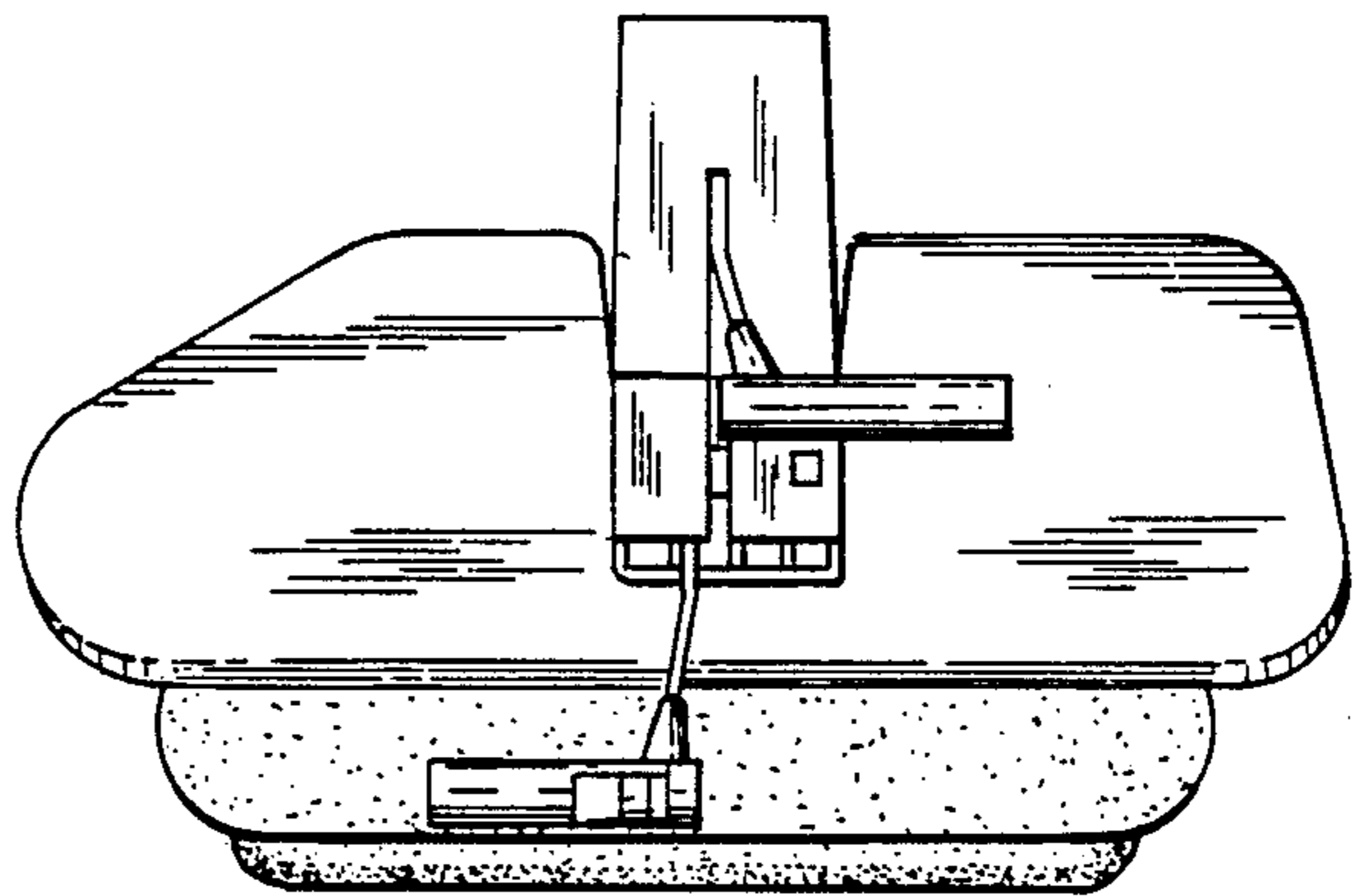


FIG. 10

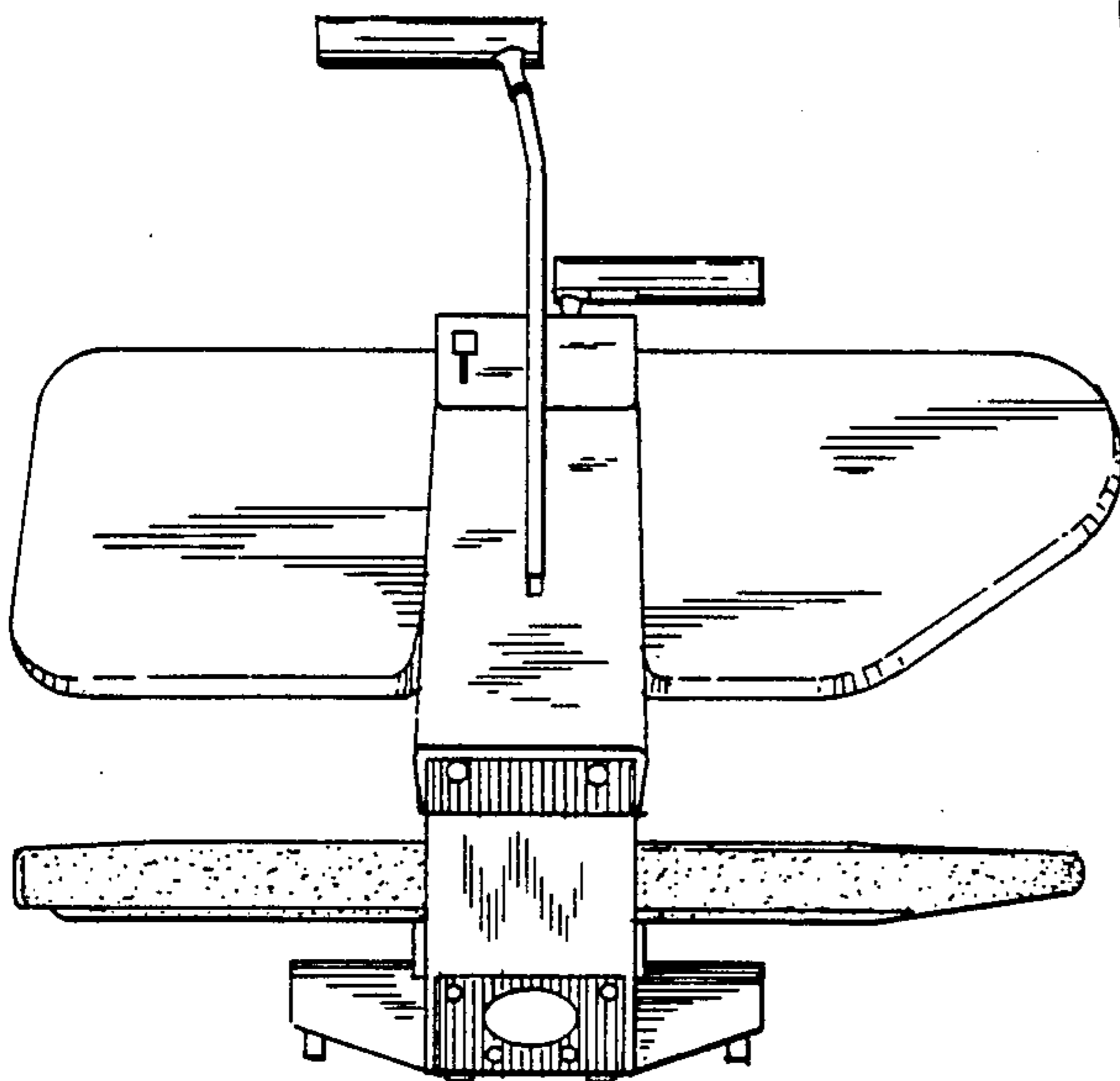


FIG. 11

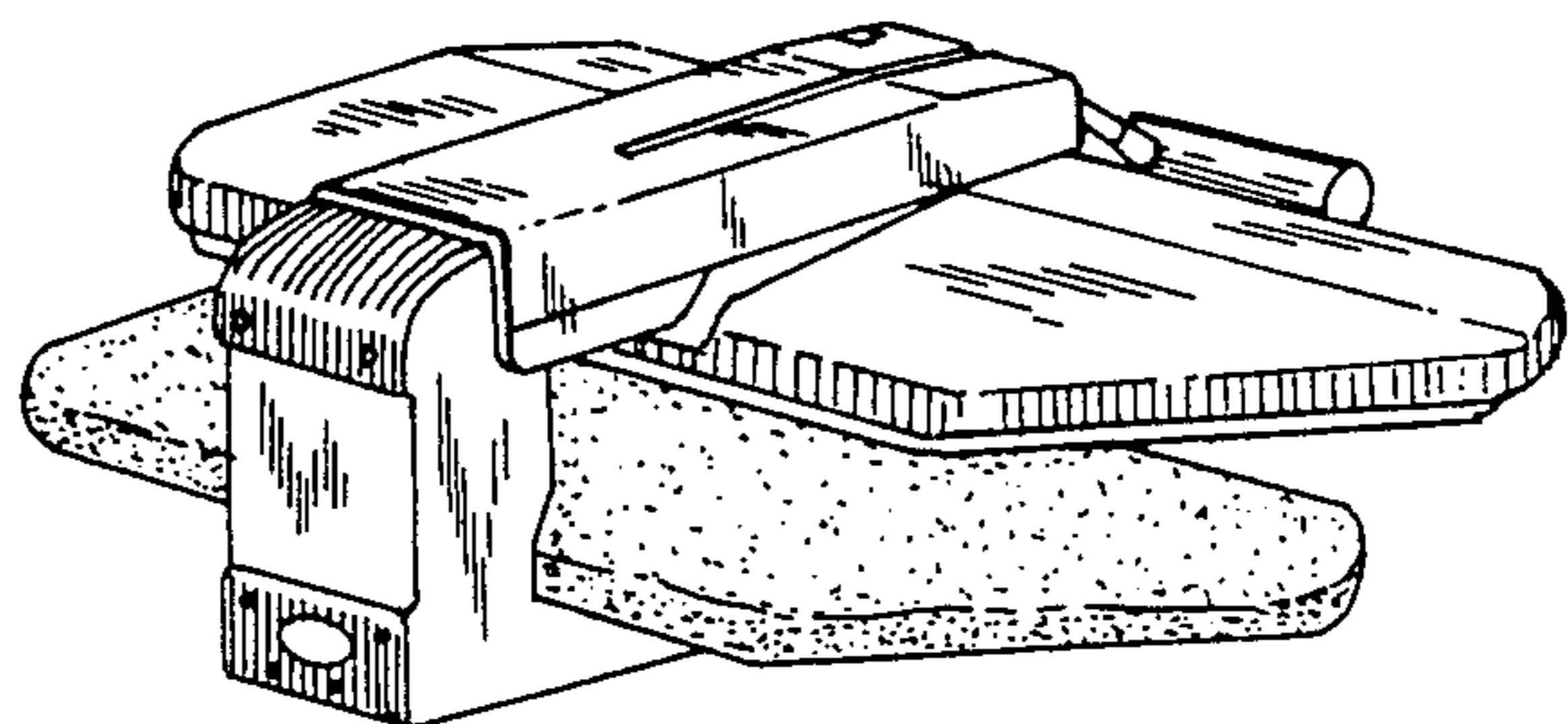


FIG. 12

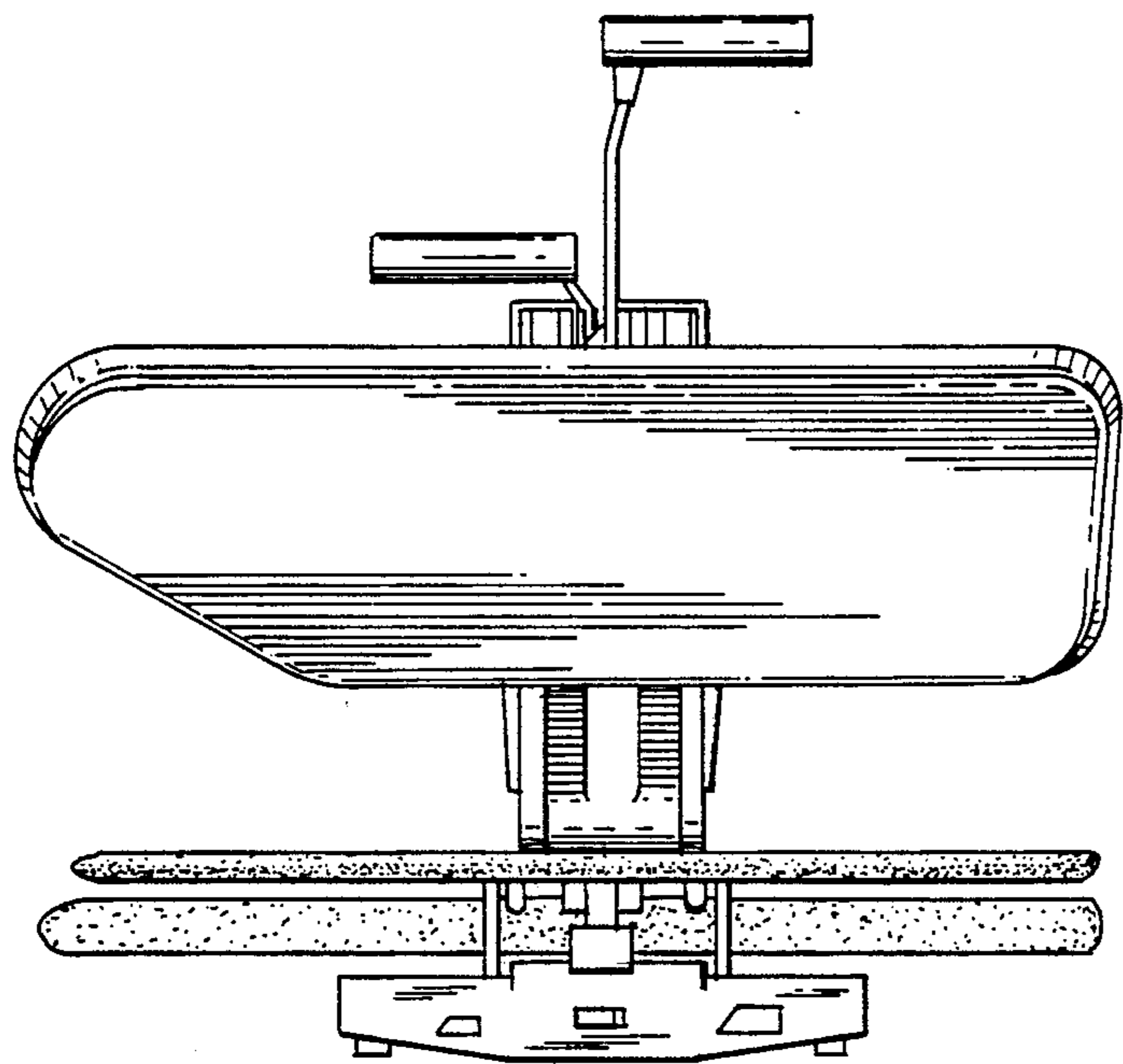


FIG. 13

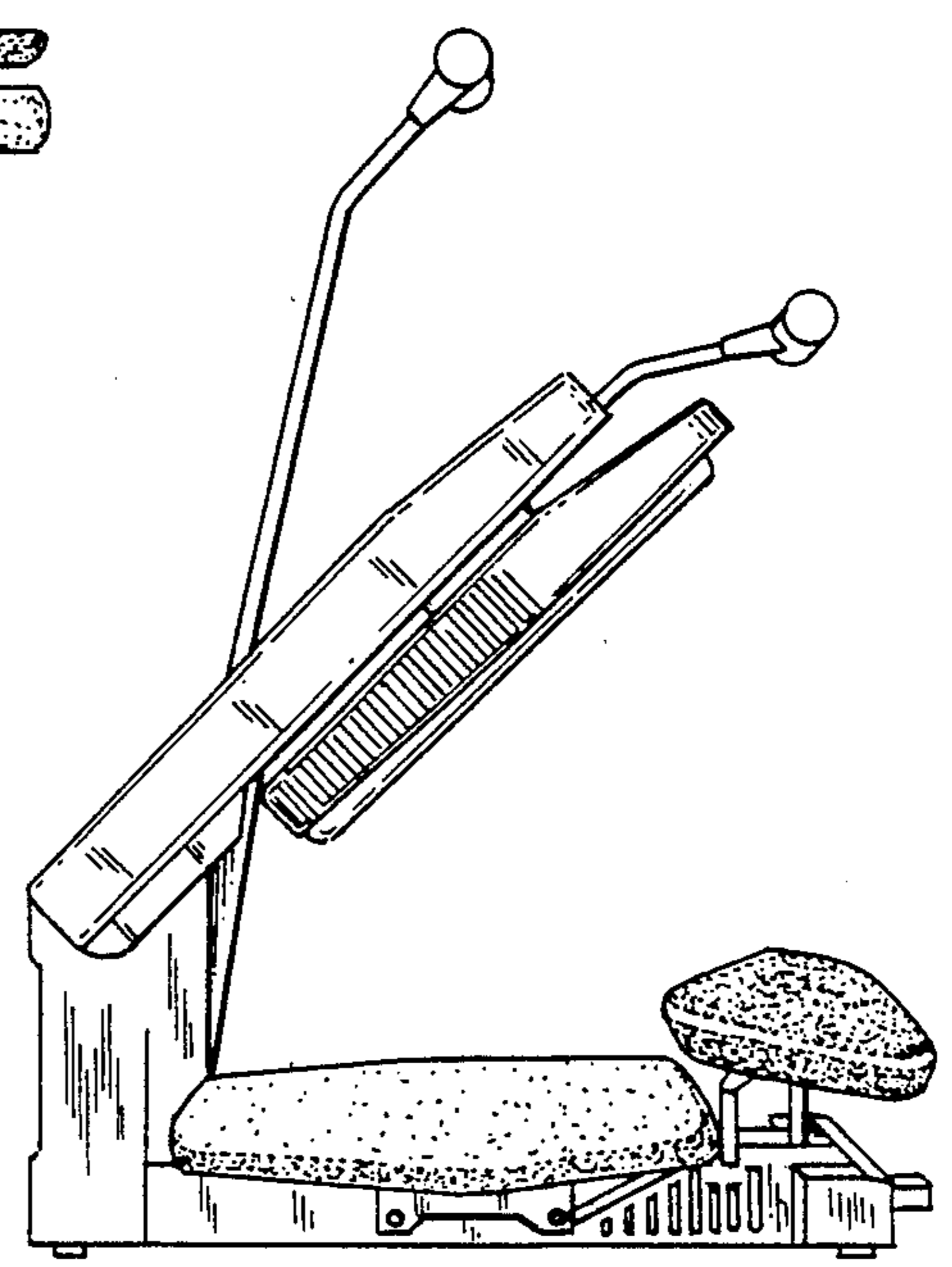


FIG. 14

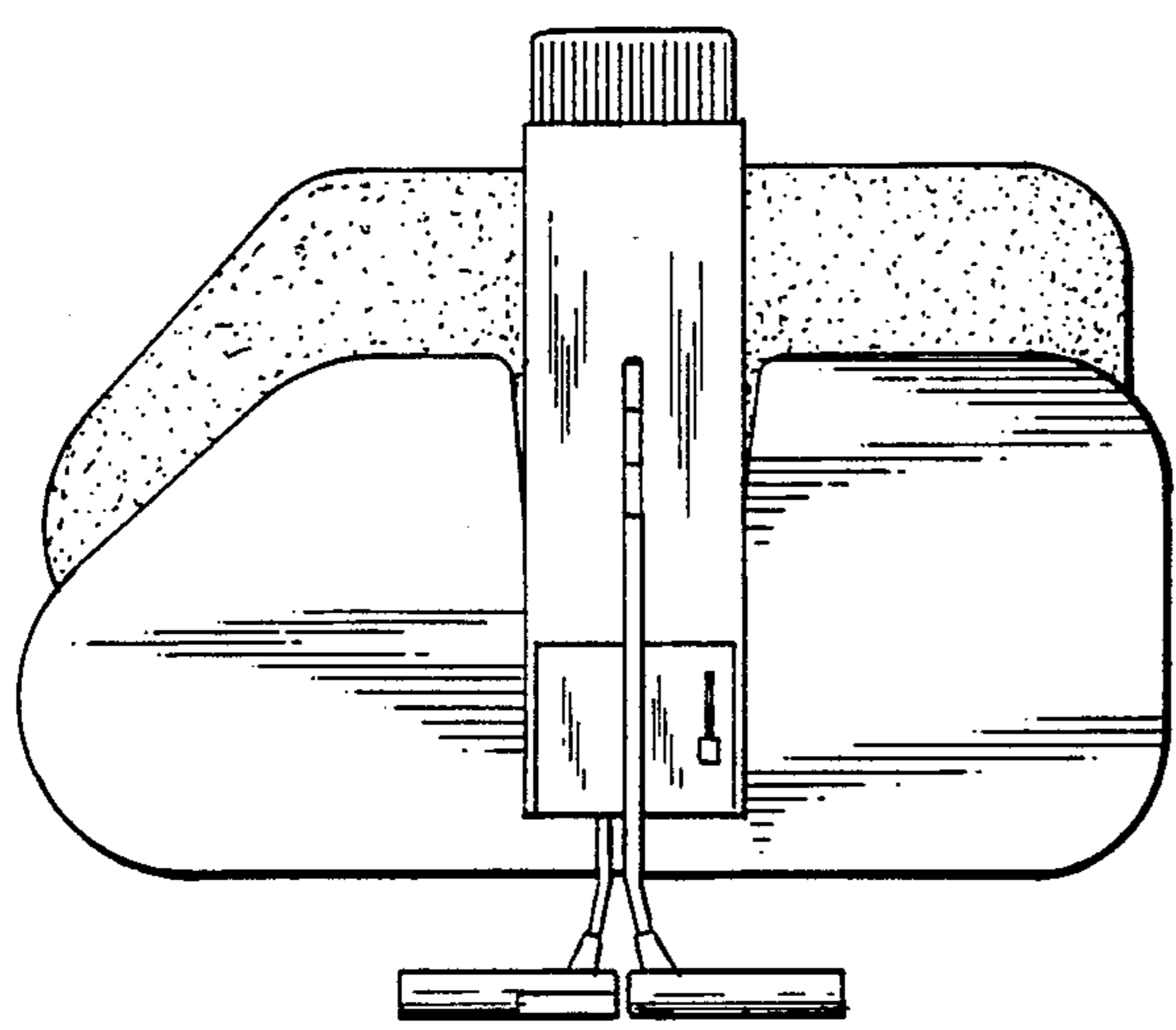


FIG. 15

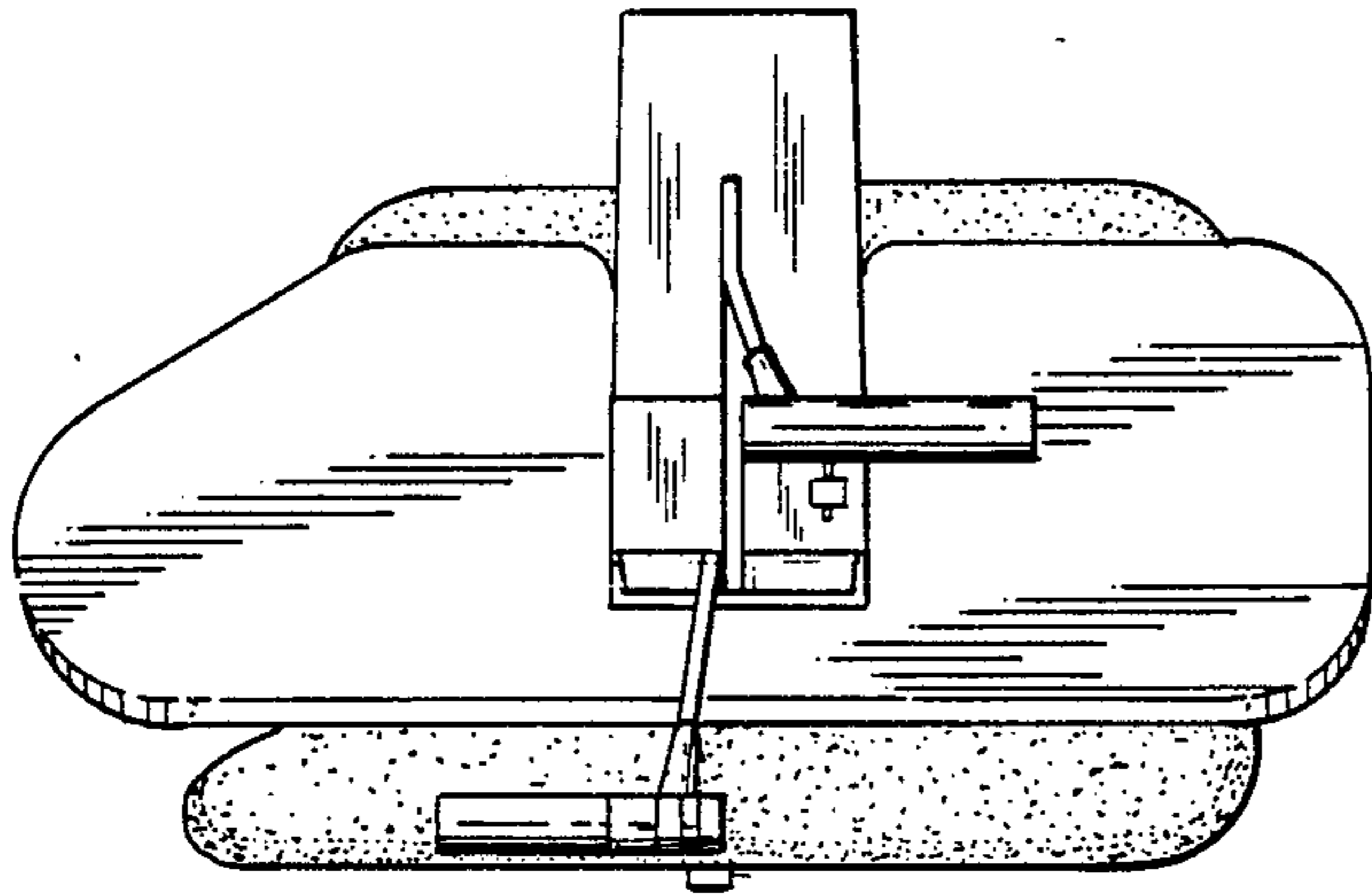


FIG. 16

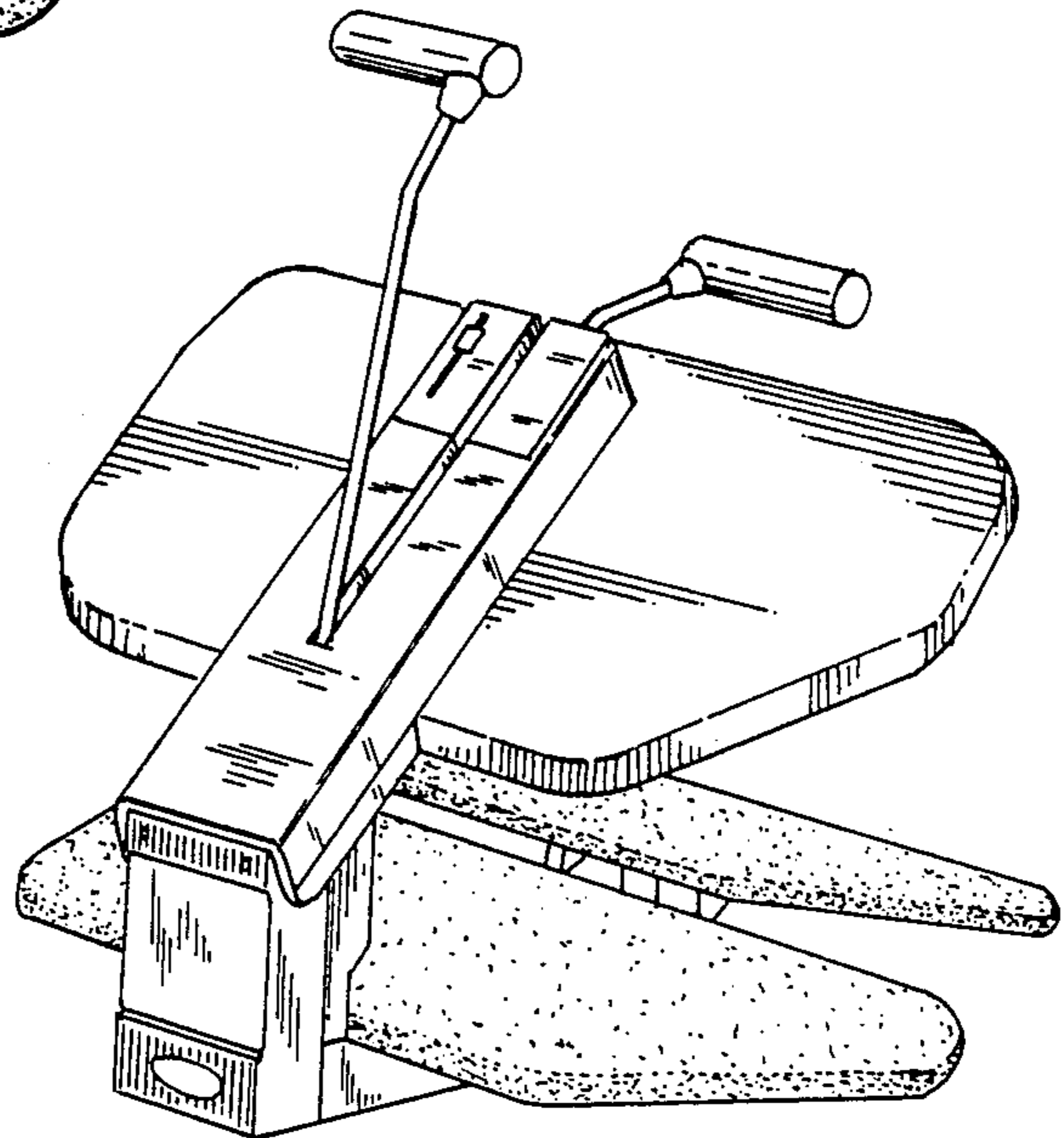


FIG. 17

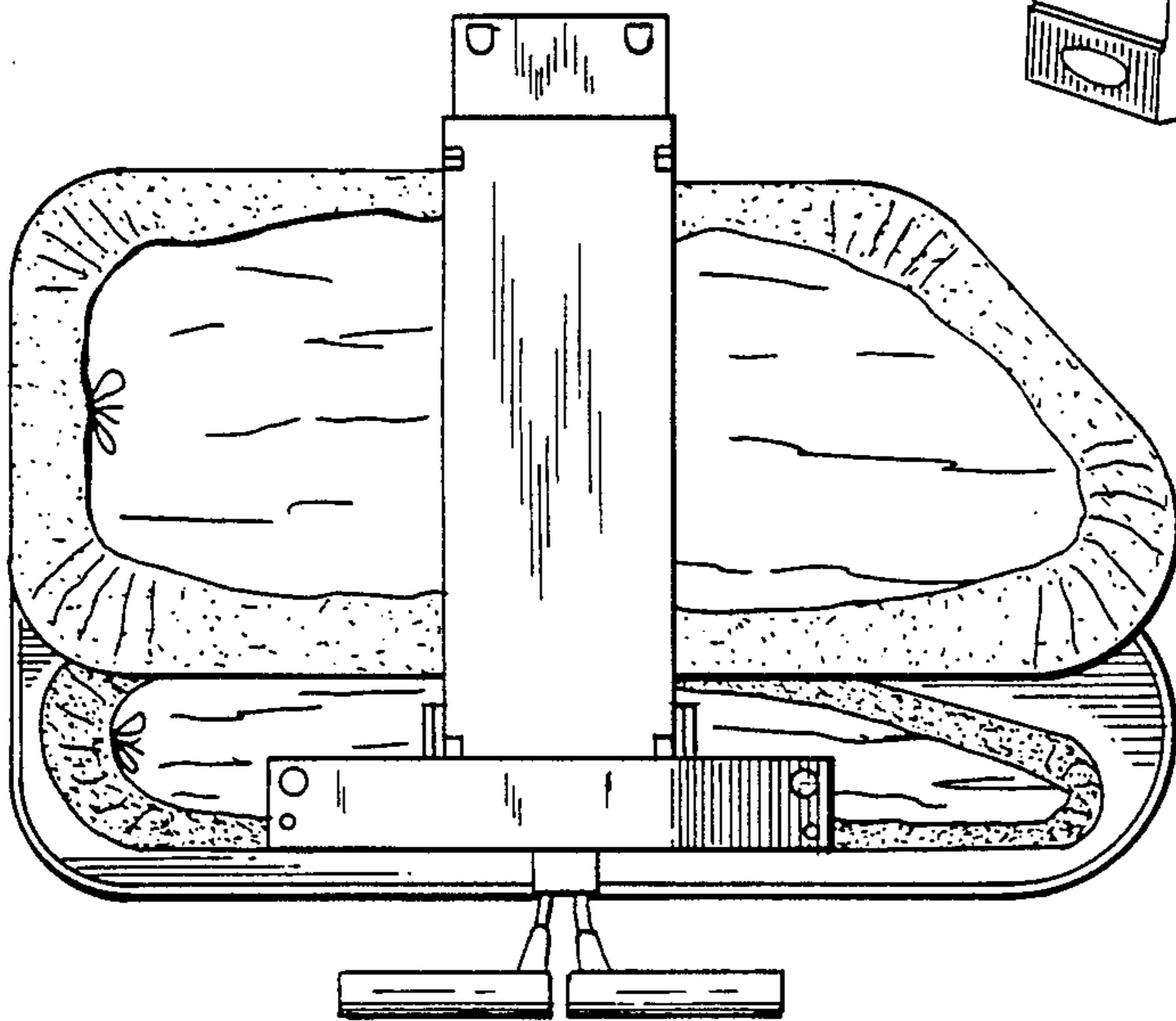


FIG. 18