

[54] **REFILLING DEVICE FOR GOLF BALL
WASHER**

[75] **Inventor:** Larry E. Brookman, Reinbeck, Iowa
[73] **Assignee:** Standard Golf Company, Cedar Falls,
Iowa
[**] **Term:** 14 Years
[21] **Appl. No.:** 200,294
[22] **Filed:** May 31, 1988
[52] **U.S. Cl.** D32/1
[58] **Field of Search** D21/234; D32/1, 35;
15/21 A; D9/367, 369, 373-376

[56] **References Cited**

U.S. PATENT DOCUMENTS

D. 216,832 3/1970 Juarez et al. D21/234
D. 228,799 10/1973 Roddy D21/234
D. 262,863 2/1982 Barnsdale .
D. 306,784 3/1990 Fung D32/35 X
D. 309,201 7/1990 Thrasher D32/1
3,074,292 1/1963 Polmon .
3,270,793 9/1966 Polmon .
3,271,802 9/1966 Thompson 15/21 A
3,461,936 8/1969 Rosan, Sr. .

4,016,618 4/1977 Kobayashi 15/21 A

OTHER PUBLICATIONS

IN-X Fastener Corporation Catalog, "Threaded In-
serts", 1982 Copyright Publication.
Rexnord Cat. No. 4400, Ultrasonic Threaded Inserts,
Cat. 3/86.

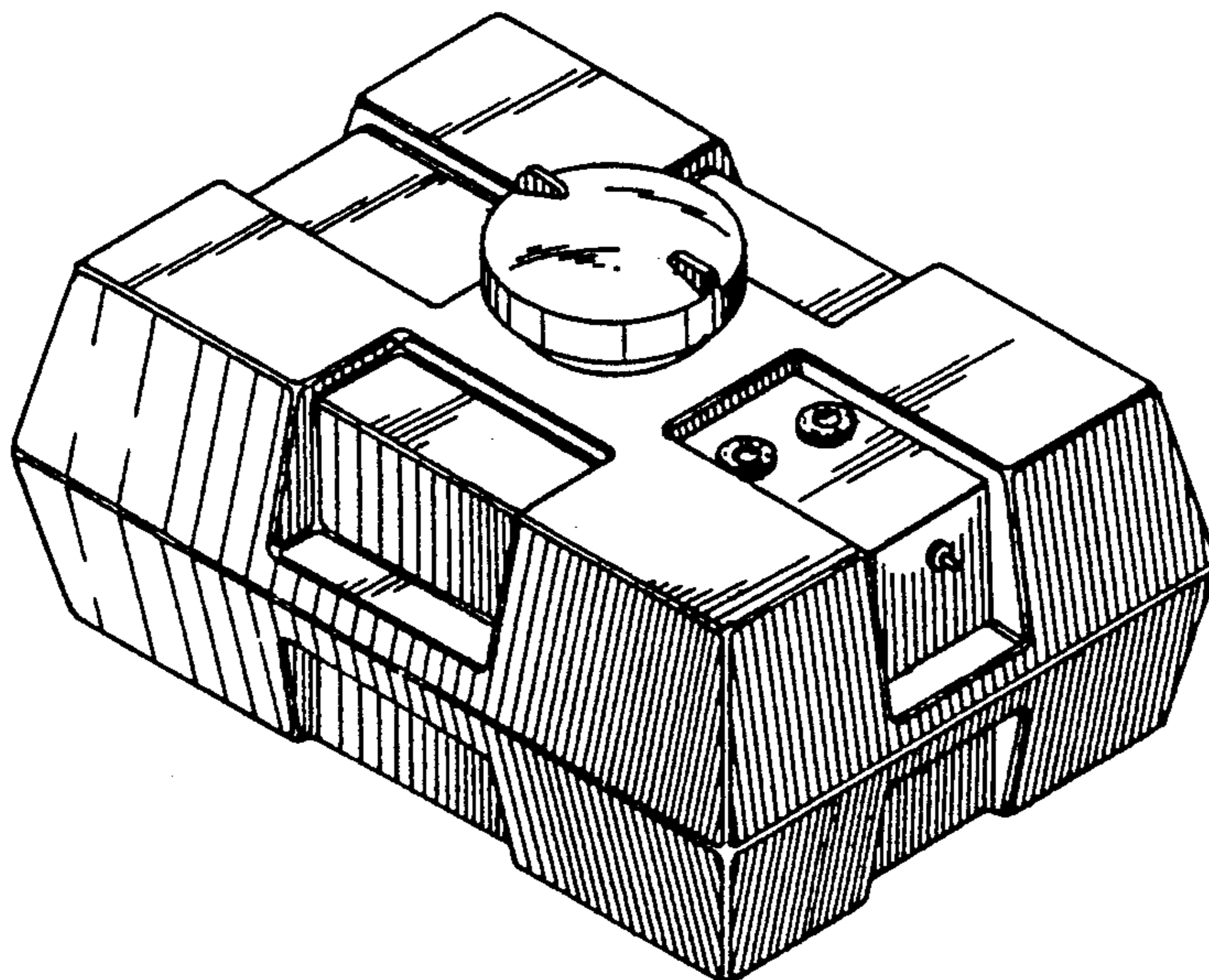
Primary Examiner—Bernard Ansher
Assistant Examiner—Prabhakar Deshmukh
Attorney, Agent, or Firm—Zarley, McKee, Thomte,
Voorhees & Sease

[57] **CLAIM**

The ornamental design for a refilling device for golf ball
washer, as shown and described.

DESCRIPTION

FIG. 1 is a perspective view of a refilling device for golf
ball washer showing my new design;
FIG. 2 is a right side elevation thereof;
FIG. 3 is a top plan view thereof;
FIG. 4 is a front elevation thereof; the rear elevation
being a mirror image thereof;
FIG. 5 is a left side elevation thereof; and
FIG. 6 is a bottom plan view thereof.



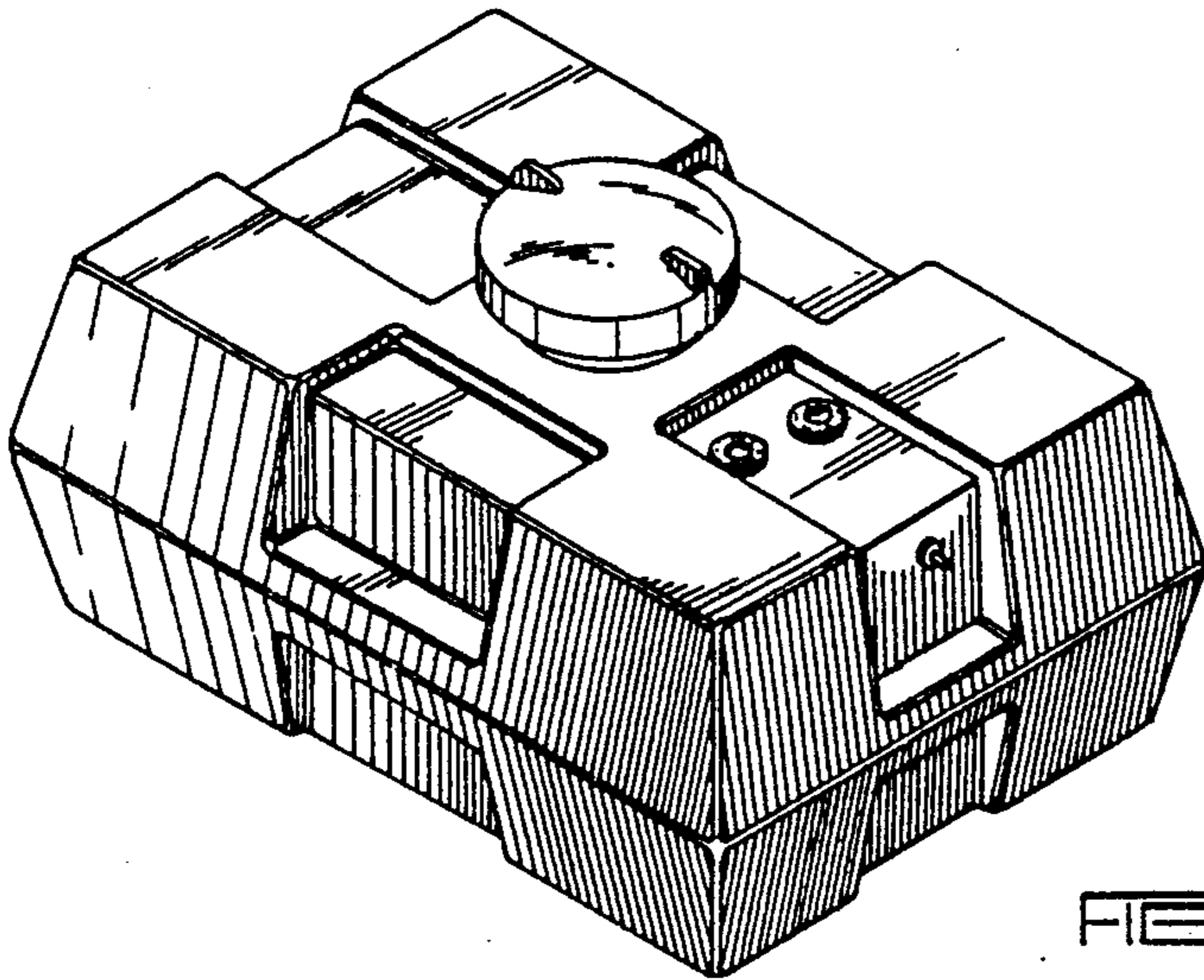


FIG. 1

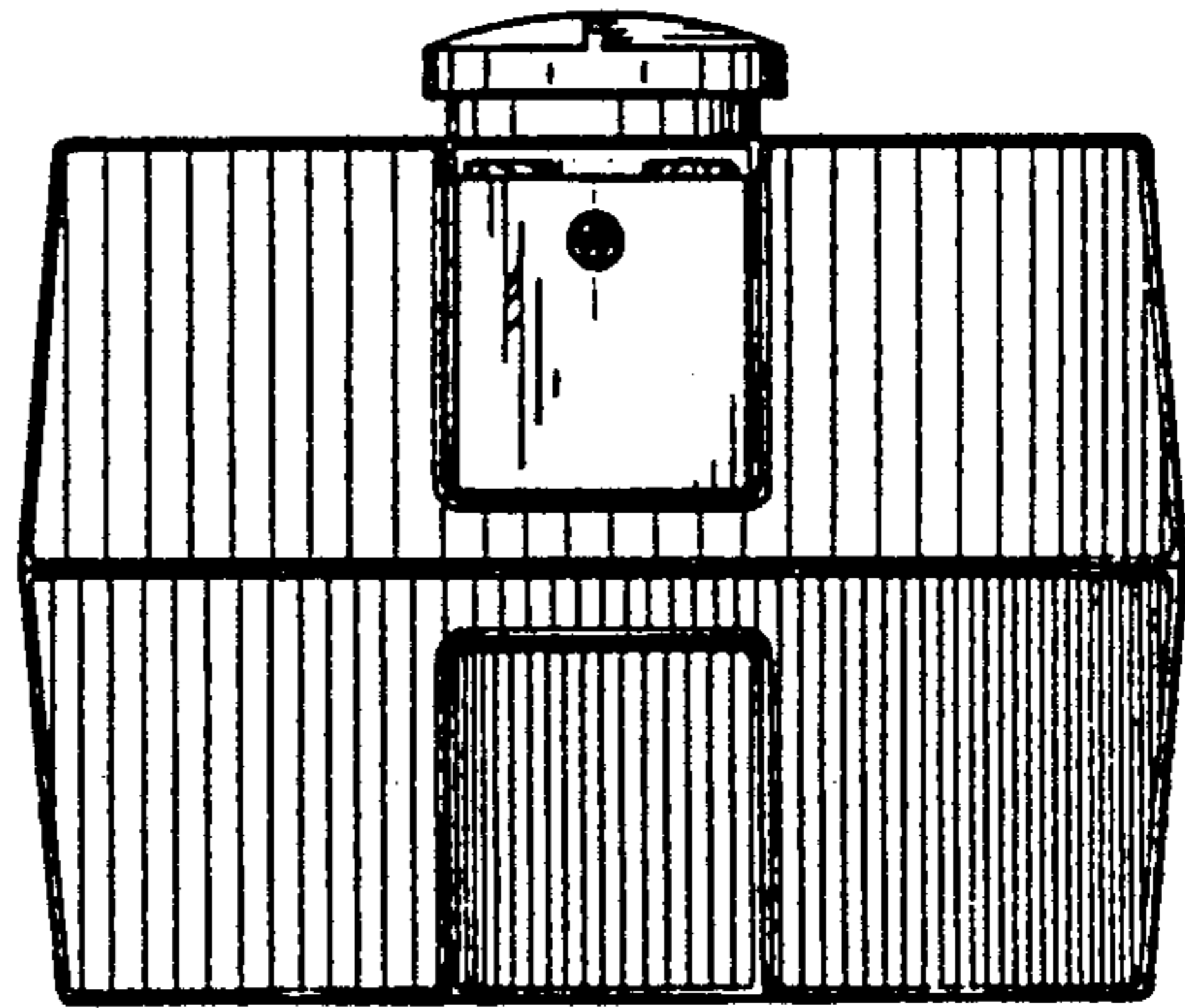


FIG. 2

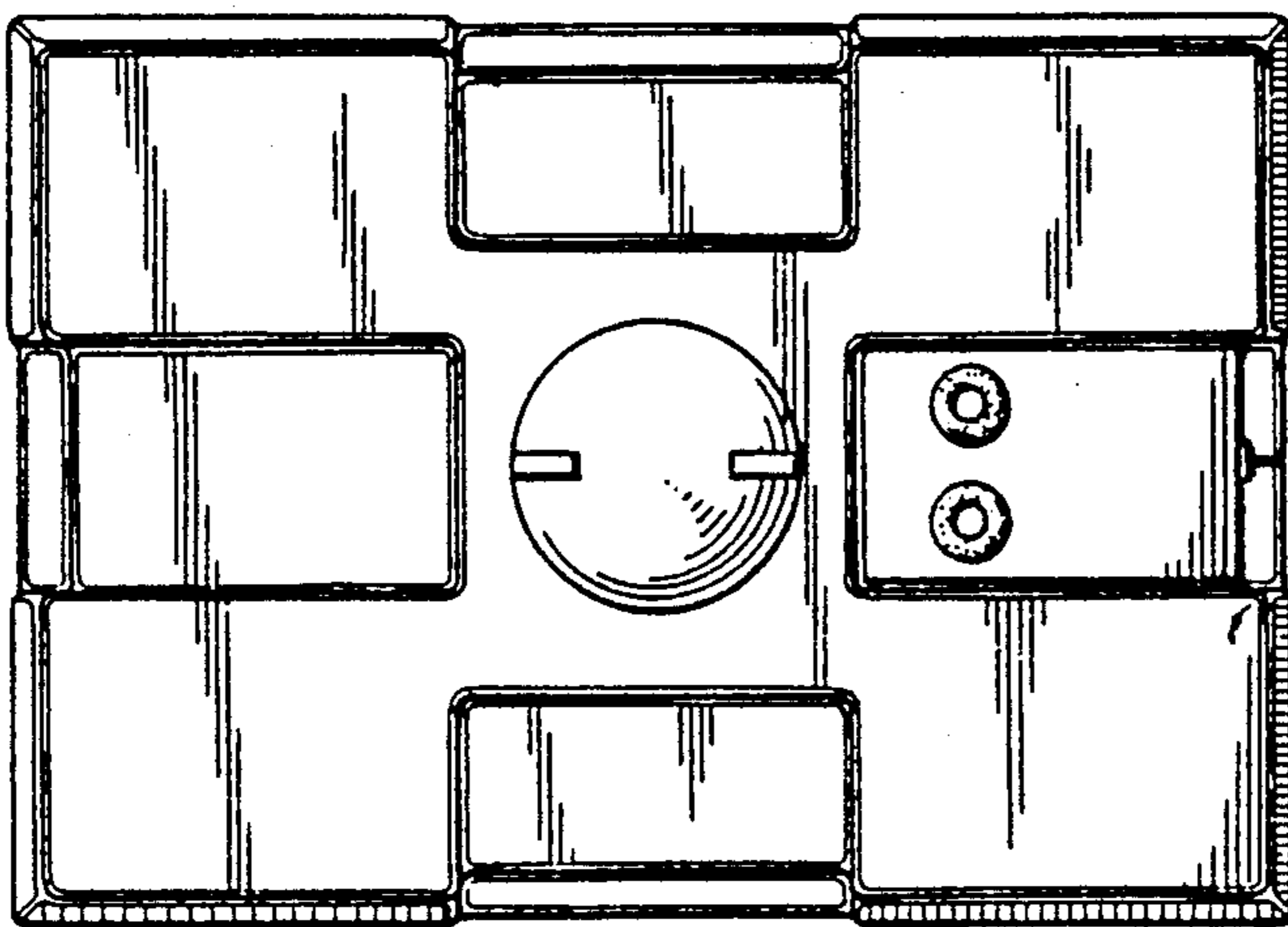


FIG. 3

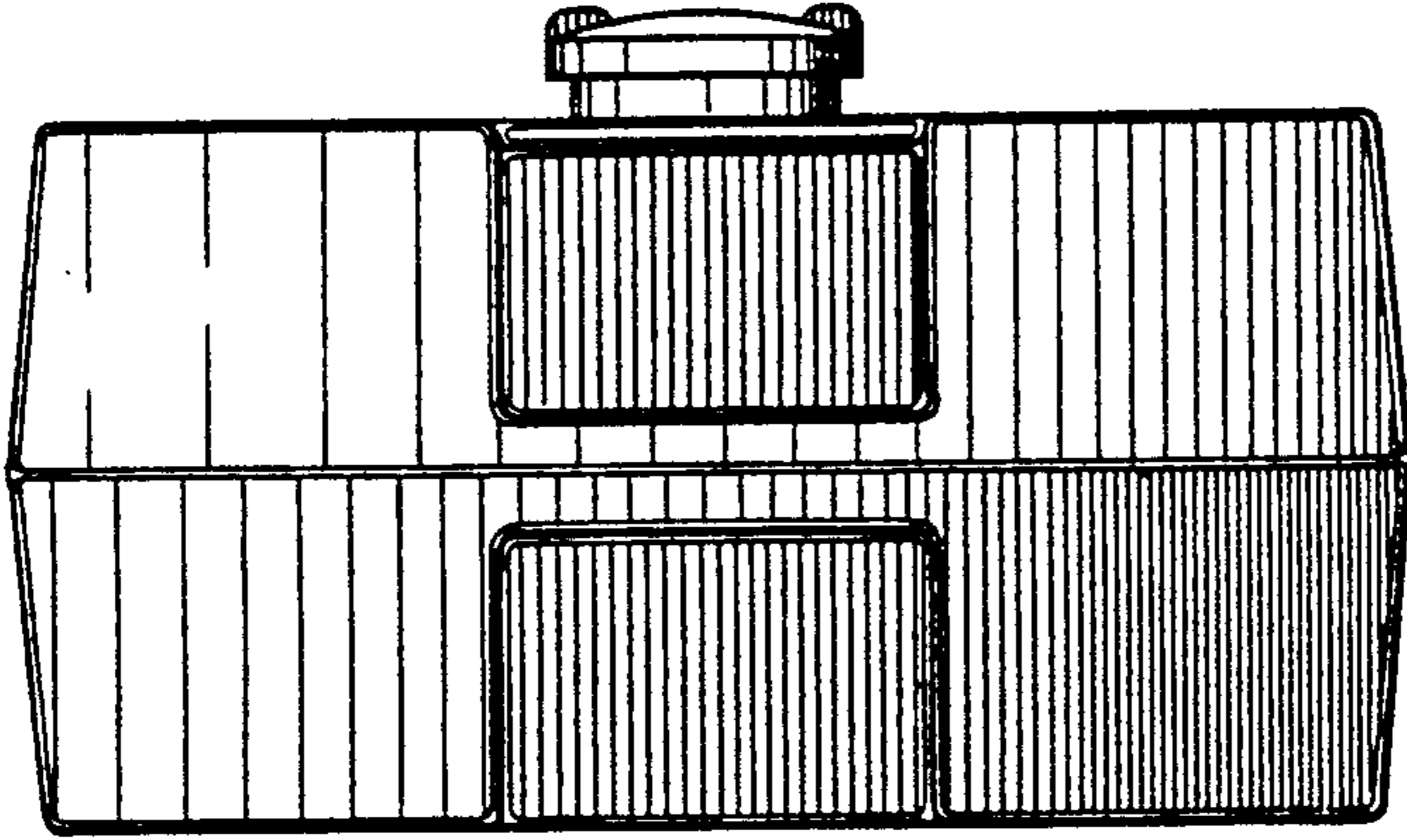


FIG. 4

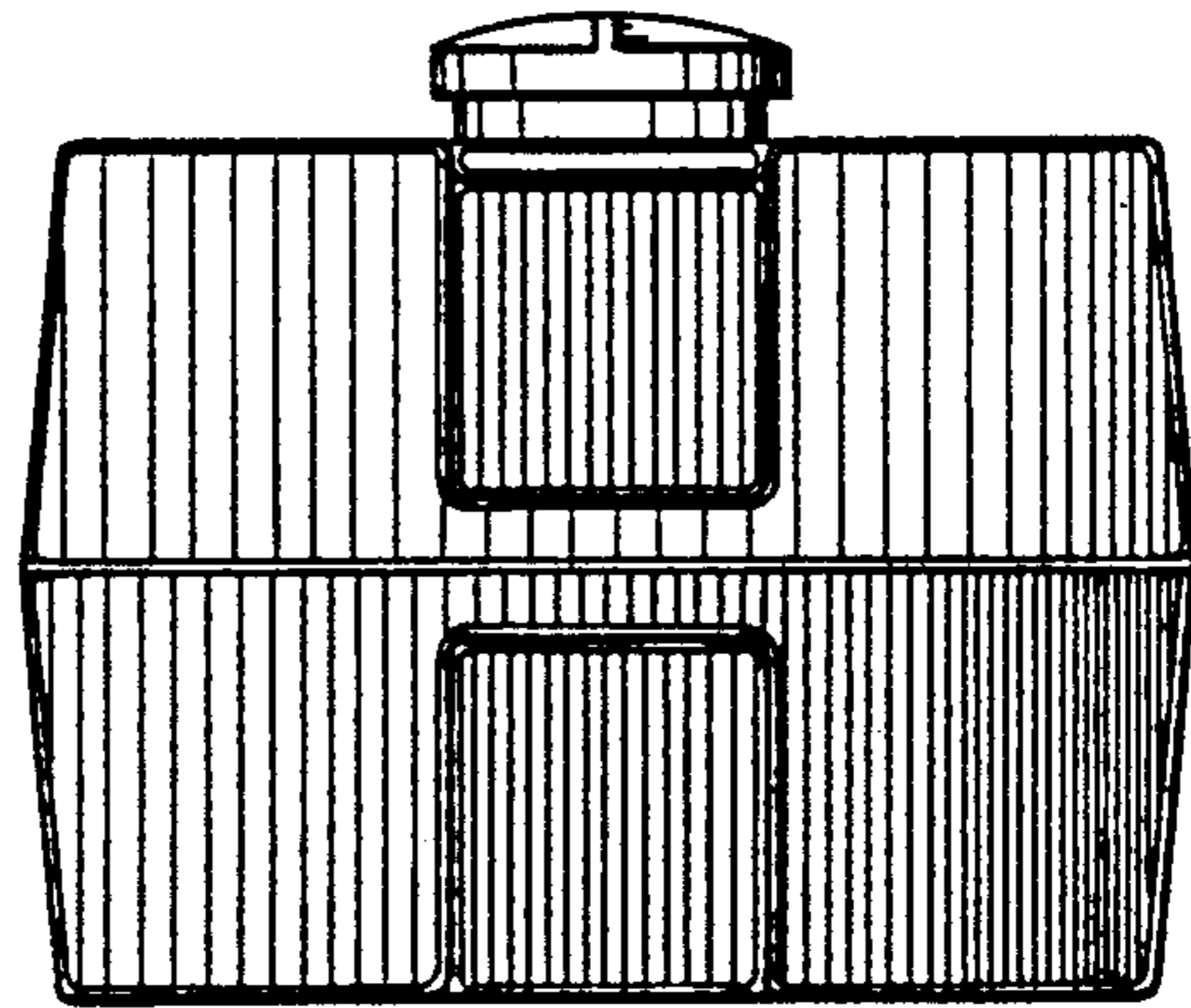


FIG. 5

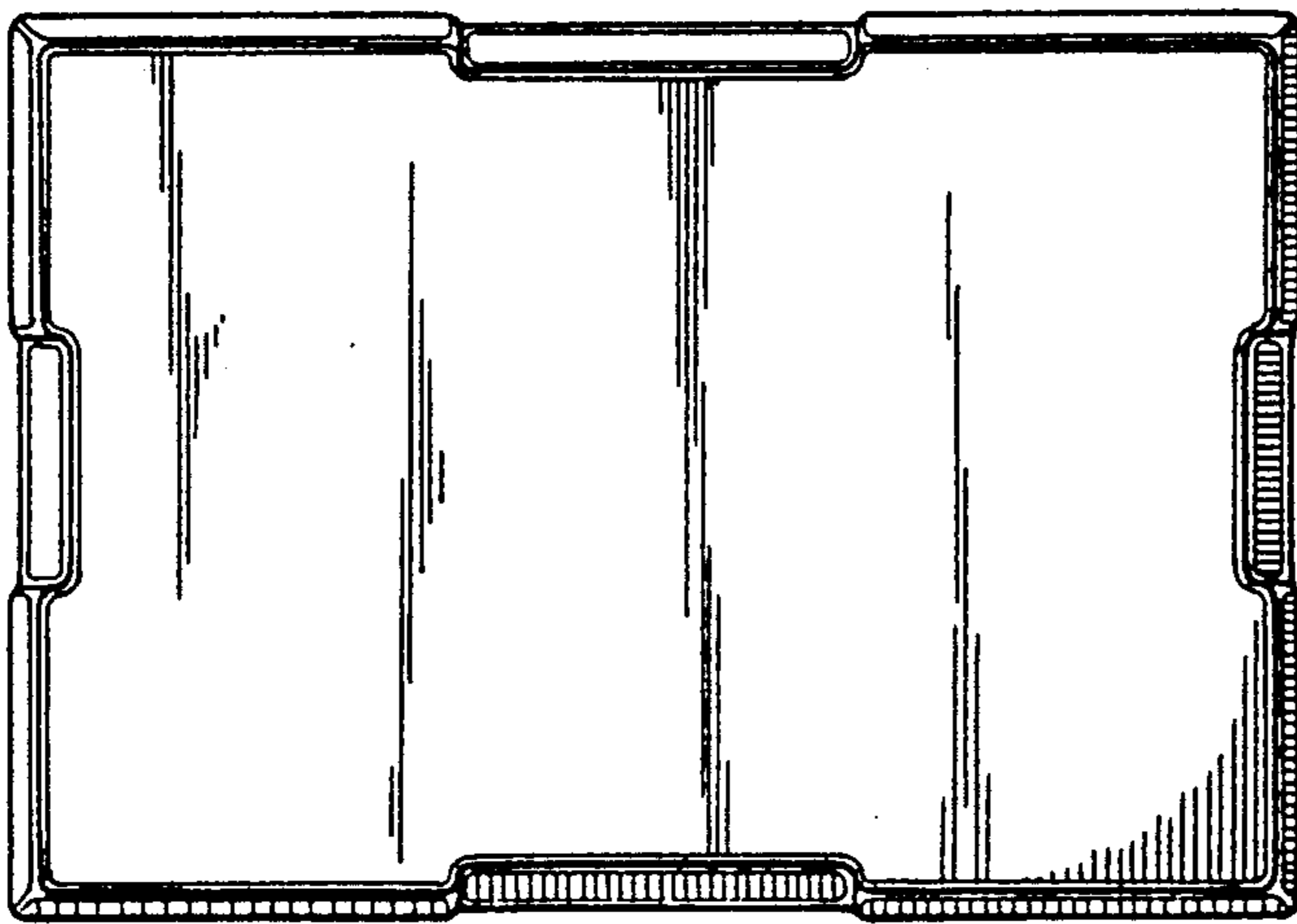


FIG. 6