

[54] HAIR-CUTTING AND MAKE-UP
APPLICATION GUIDE

1289292 of 1972 United Kingdom 434/96
8701567 3/1987 World Int. Prop. O. 132/333

[76] Inventor: Ginger S. Weigel, 22238 24th Ave. S.,
Des Moines, Wash. 98198

Primary Examiner—Bernard Ansher
Assistant Examiner—C. Tuttle
Attorney, Agent, or Firm—Bruce A. Kaser

[**] Term: 14 Years

[21] Appl. No.: 120,814

[57] CLAIM

[22] Filed: Nov. 16, 1987

The ornamental design for a hair-cutting and make-up
application guide, as shown and described.

[52] U.S. Cl. D28/10; D10/64

[58] Field of Search D28/7, 9; D10/64;
D19/39; 132/312; 434/81, 84, 94, 98-100

DESCRIPTION

[56] References Cited

U.S. PATENT DOCUMENTS

D. 138,342 7/1944 Gilardi D10/64
D. 223,312 4/1972 Mogi D28/99
4,669,985 6/1987 Hvalsbräten 434/94

FIG. 1 is a perspective view of a hair-cutting and make-up
application guide showing my new design;
FIG. 2 is a front elevational view thereof;
FIG. 3 is a rear elevational view thereof;
FIG. 4 is a top plan view thereof, the bottom plan view
being identical to the side shown; and
FIG. 5 is a side elevational view thereof, the side oppo-
site being identical to the side shown.
The broken lines shown on the drawing represent ap-
plied ornamentation.

FOREIGN PATENT DOCUMENTS

1137088 of 1968 United Kingdom 434/96

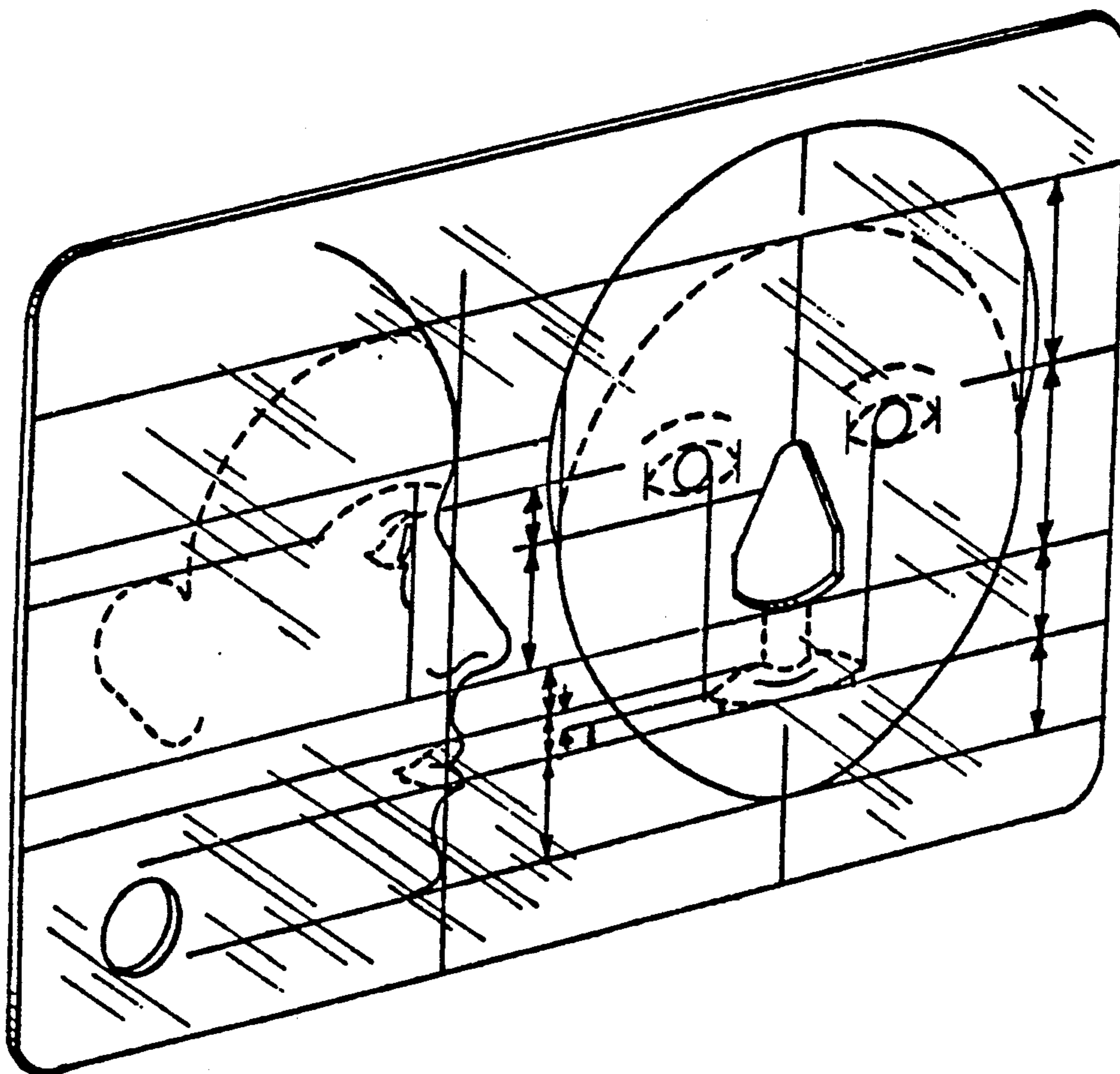


Fig. 1

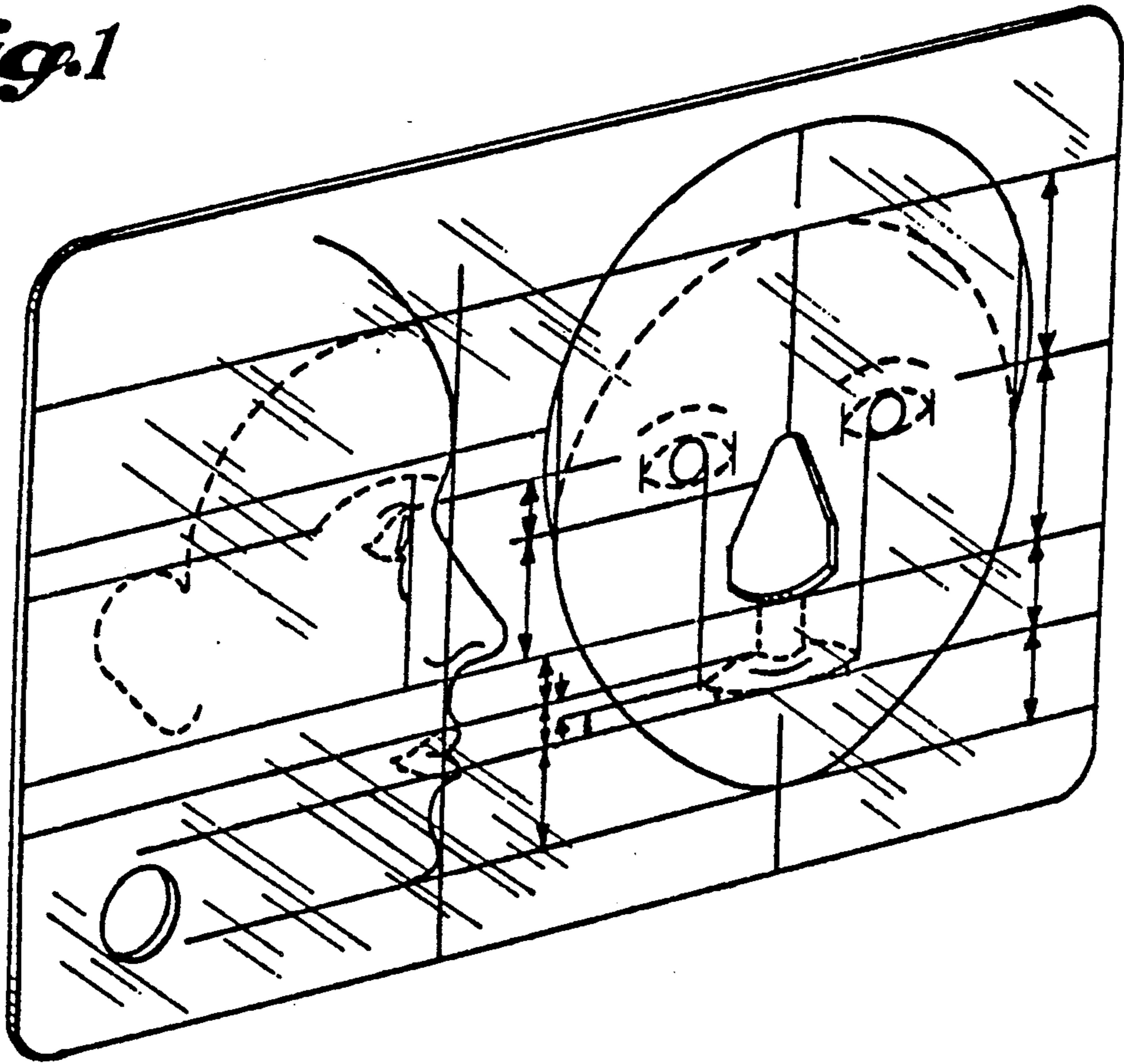


Fig. 2

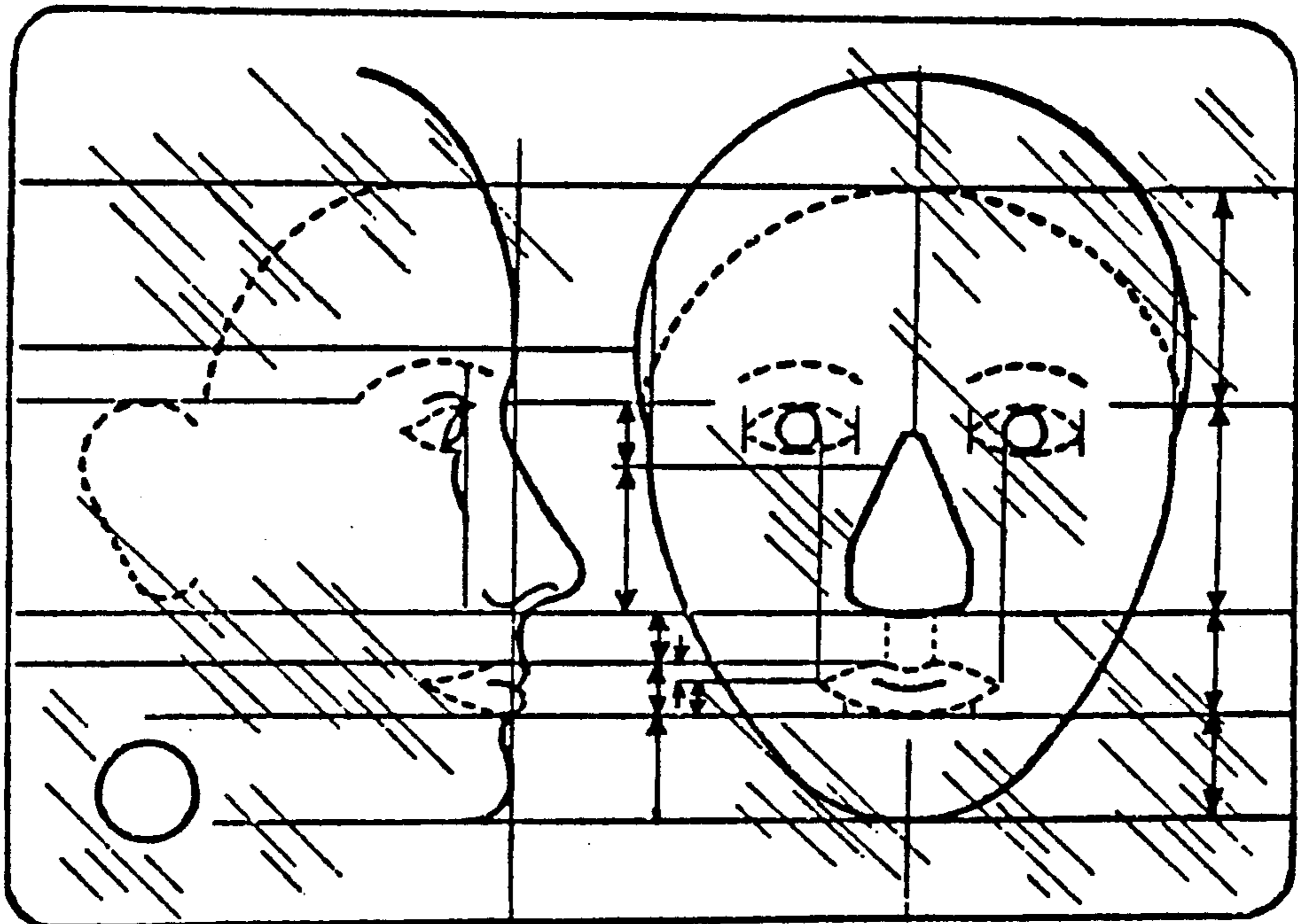


Fig. 3

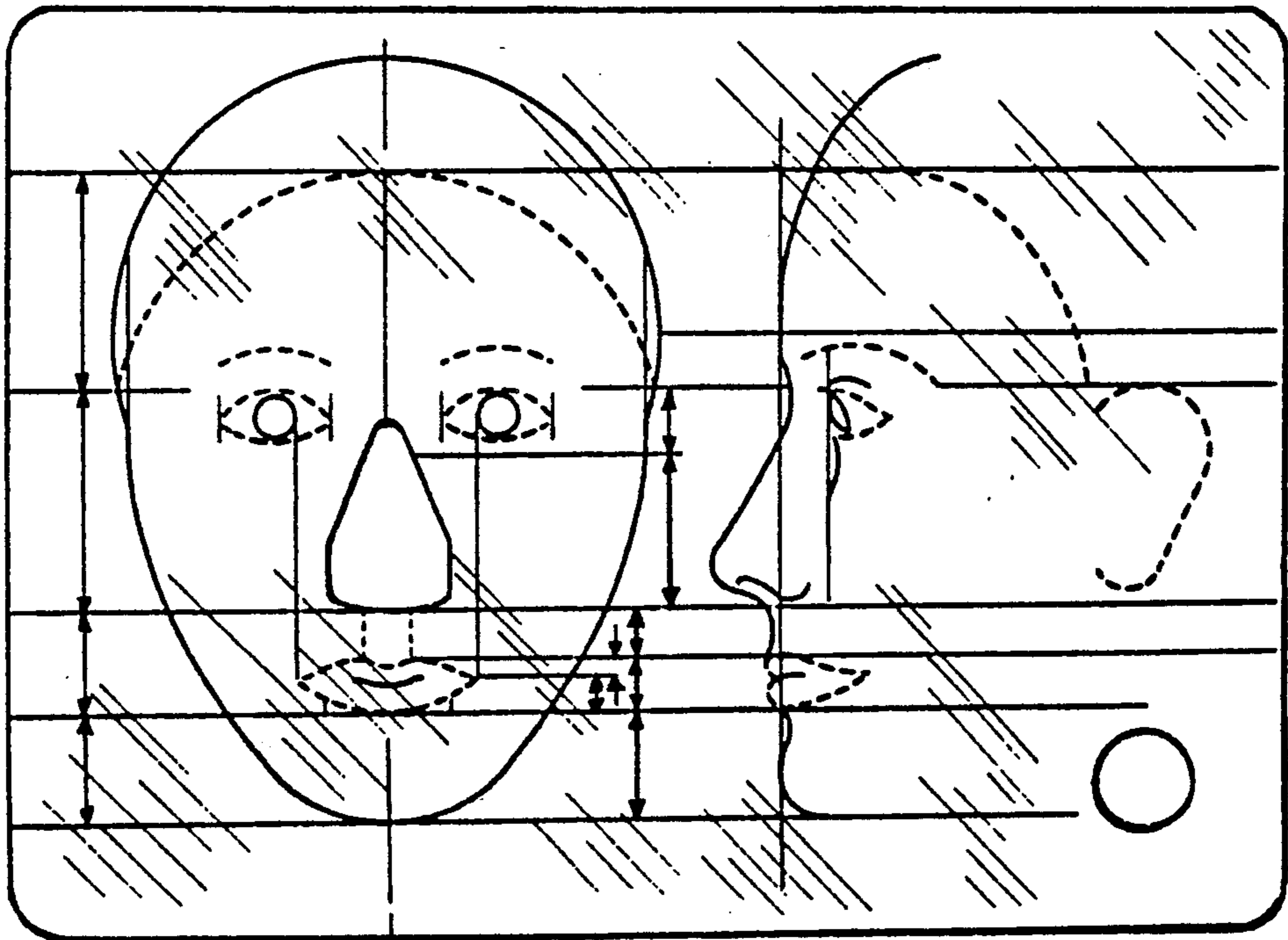


Fig. 4



Fig. 5

