

[54] FLASHLIGHT

[75] Inventor: Kenneth R. Fenne, Glen Ellyn, Ill.

[73] Assignee: Pittway Corporation, Northbrook, Ill.

[**] Term: 14 Years

[21] Appl. No.: 223,177

[22] Filed: Jul. 22, 1988

Related U.S. Application Data

[63] Continuation-in-part of Ser. No. 49,086, May 13, 1987.

[52] U.S. Cl. D26/46

[58] Field of Search D26/37-50; 362/157, 158, 191-208, 183-190

[56] References Cited

U.S. PATENT DOCUMENTS

- D. 143,358 12/1945 Schofield .
- D. 276,375 11/1984 Fenne .
- D. 281,280 11/1985 Schosser et al. .
- D. 283,254 4/1986 Fenne .
- D. 285,356 8/1986 Schosser et al. .
- D. 287,411 12/1986 Drane D26/46
- D. 289,800 5/1987 Fenne .
- D. 291,010 7/1987 Fenne .
- D. 292,131 9/1987 Fenne .
- D. 296,478 6/1988 Powell et al. .
- D. 298,572 11/1988 Murrell et al. D26/46
- 4,794,315 12/1988 Pederson et al. .

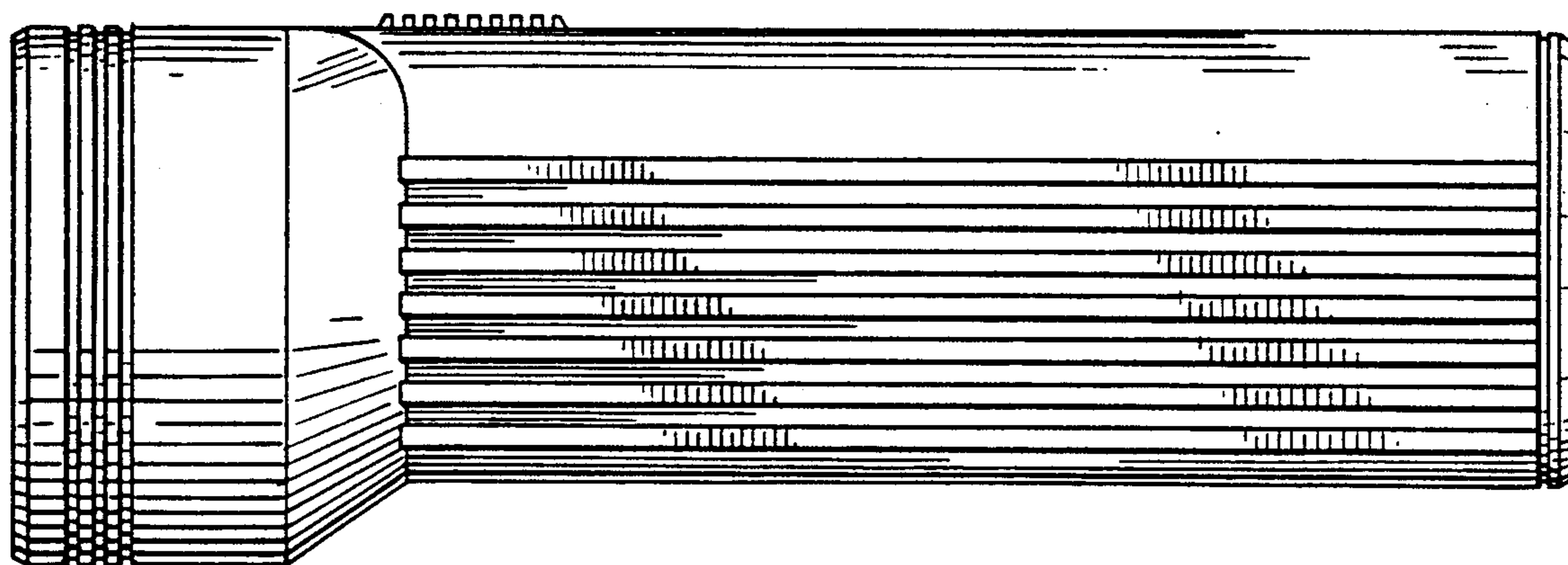
Primary Examiner—Susan J. Lucas
Assistant Examiner—M. H. Tung
Attorney, Agent, or Firm—Dressler, Goldsmith, Shore, Sutker & Milnamow Ltd.

[57] CLAIM

The ornamental design for the flashlight, as shown and described.

DESCRIPTION

FIG. 1 is a side elevational view of a flashlight showing my new design, the opposite side being a mirror image; FIG. 2 is a top plan view thereof; FIG. 3 is a bottom plan view thereof; FIG. 4 is a front elevational view thereof; FIG. 5 is a rear elevational view thereof; FIG. 6 is a side elevational view of a second embodiment thereof, the opposite side being a mirror image; FIG. 7 is a top plan view thereof; FIG. 8 is a bottom plan view thereof; FIG. 9 is a front elevational view thereof; FIG. 10 is a rear elevational view thereof; FIG. 11 is a side elevational view of a third embodiment thereof, the opposite side being a mirror image; FIG. 12 is a top plan view thereof; FIG. 13 is a bottom plan view thereof; FIG. 14 is a front elevational view thereof; FIG. 15 is a rear elevational view thereof; FIG. 16 is a side elevational view of a fourth embodiment thereof, the opposite side being a mirror image; FIG. 17 is a top plan view thereof; FIG. 18 is a bottom plan view thereof; FIG. 19 is a front elevational view thereof; FIG. 20 is a rear elevational view thereof; FIG. 21 is a side elevational view of a fifth embodiment thereof, the opposite side being a mirror image; FIG. 22 is a top plan view thereof; FIG. 23 is a bottom plan view thereof; FIG. 24 is a front elevational view thereof; and FIG. 25 is a rear elevational view thereof.



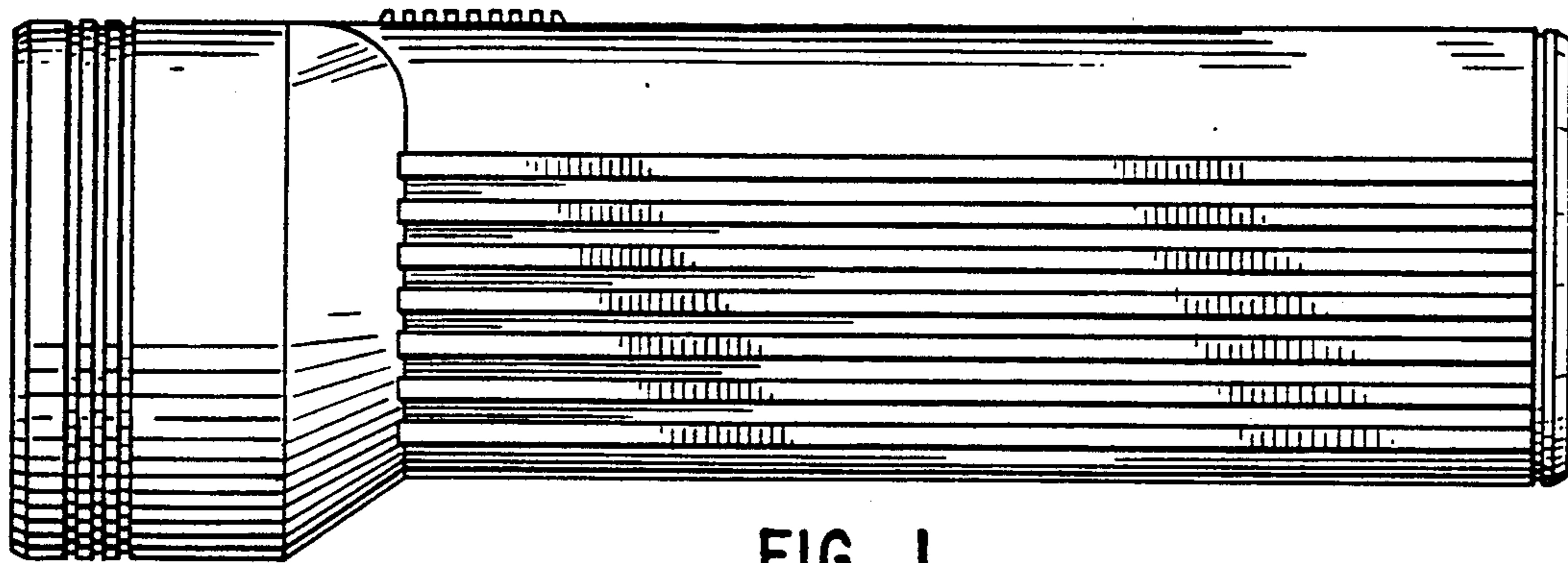


FIG. 1

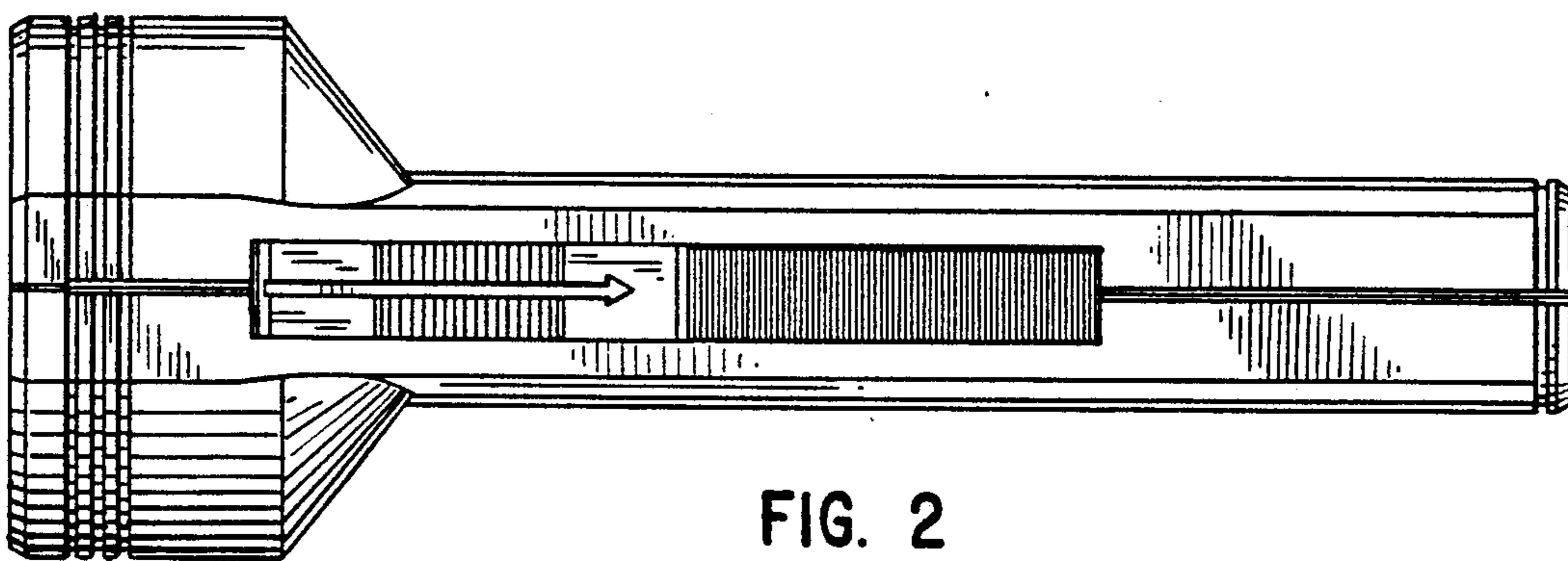


FIG. 2

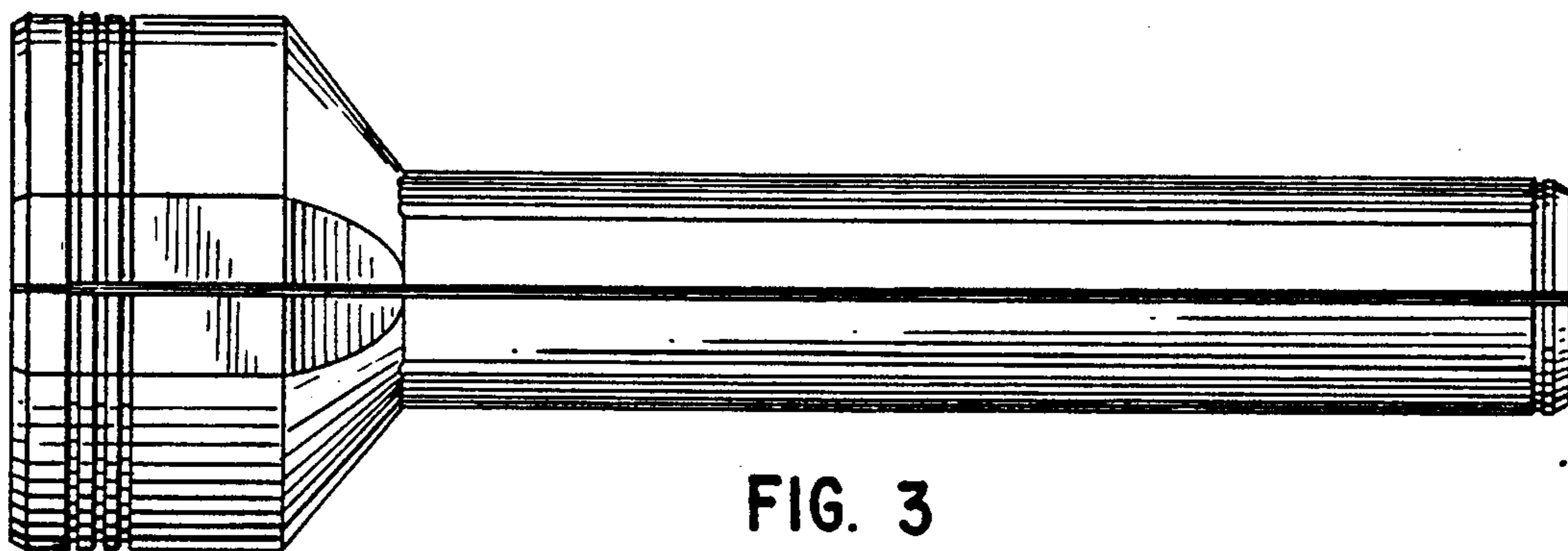


FIG. 3

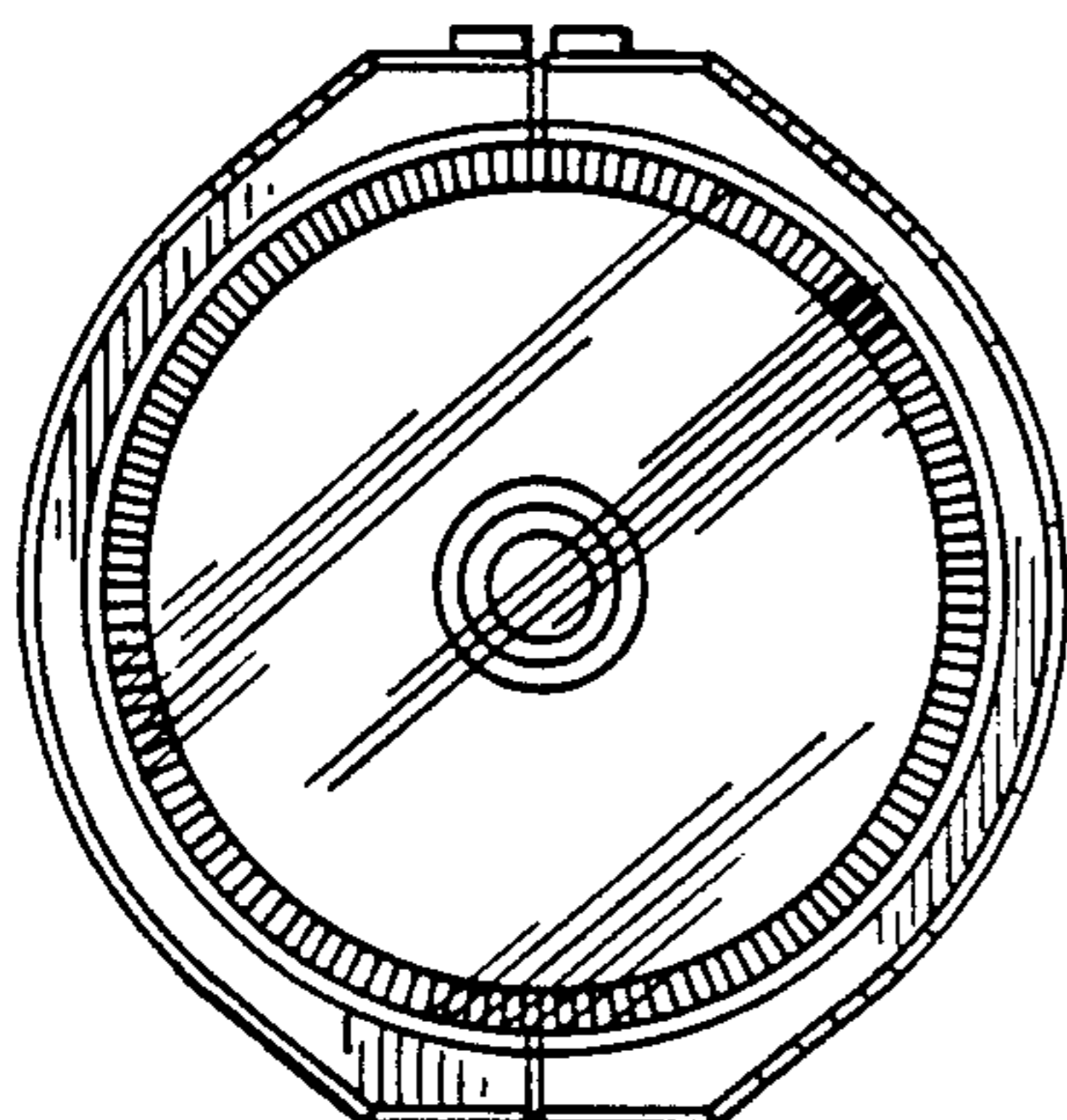


FIG. 4

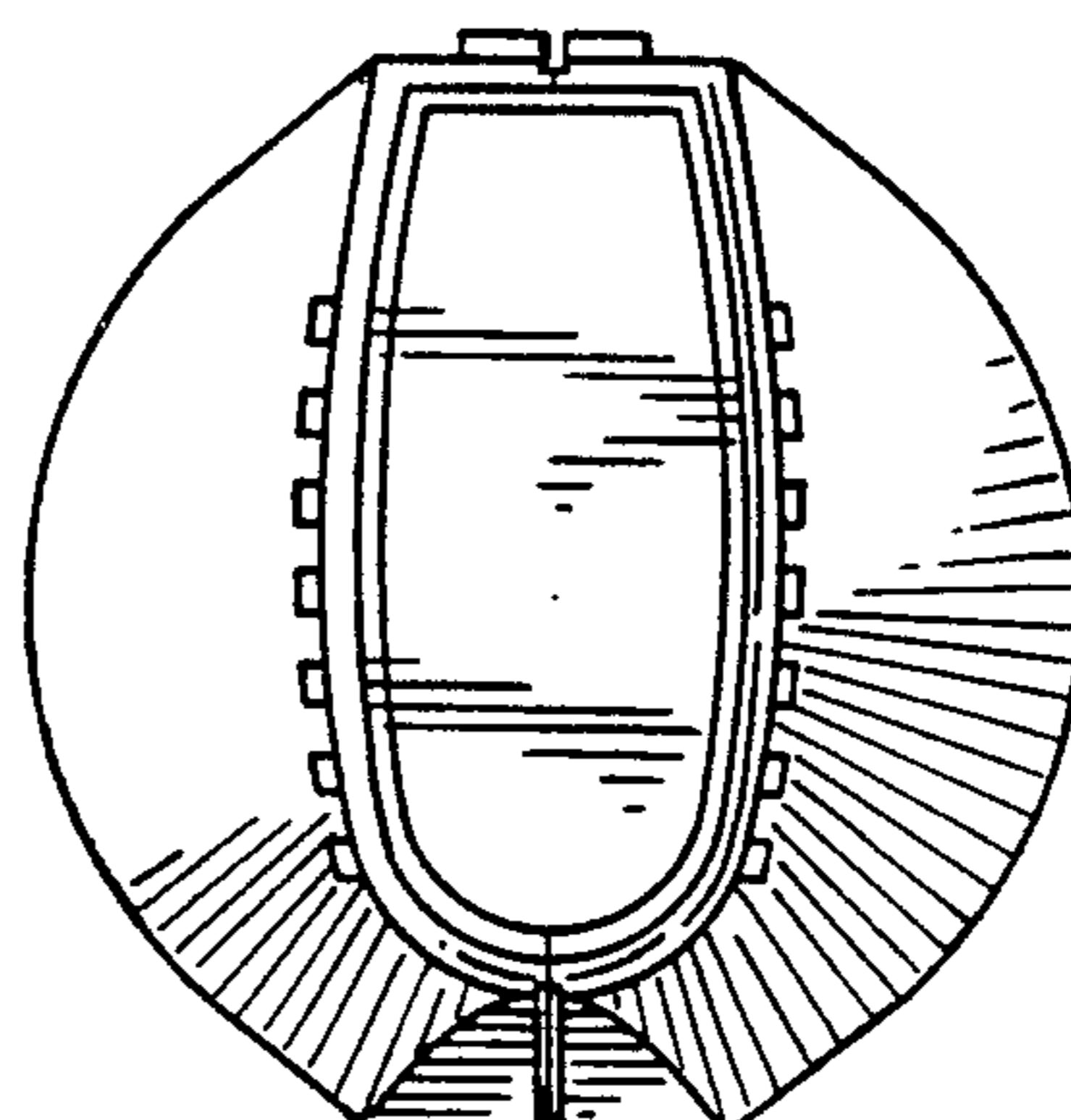


FIG. 5

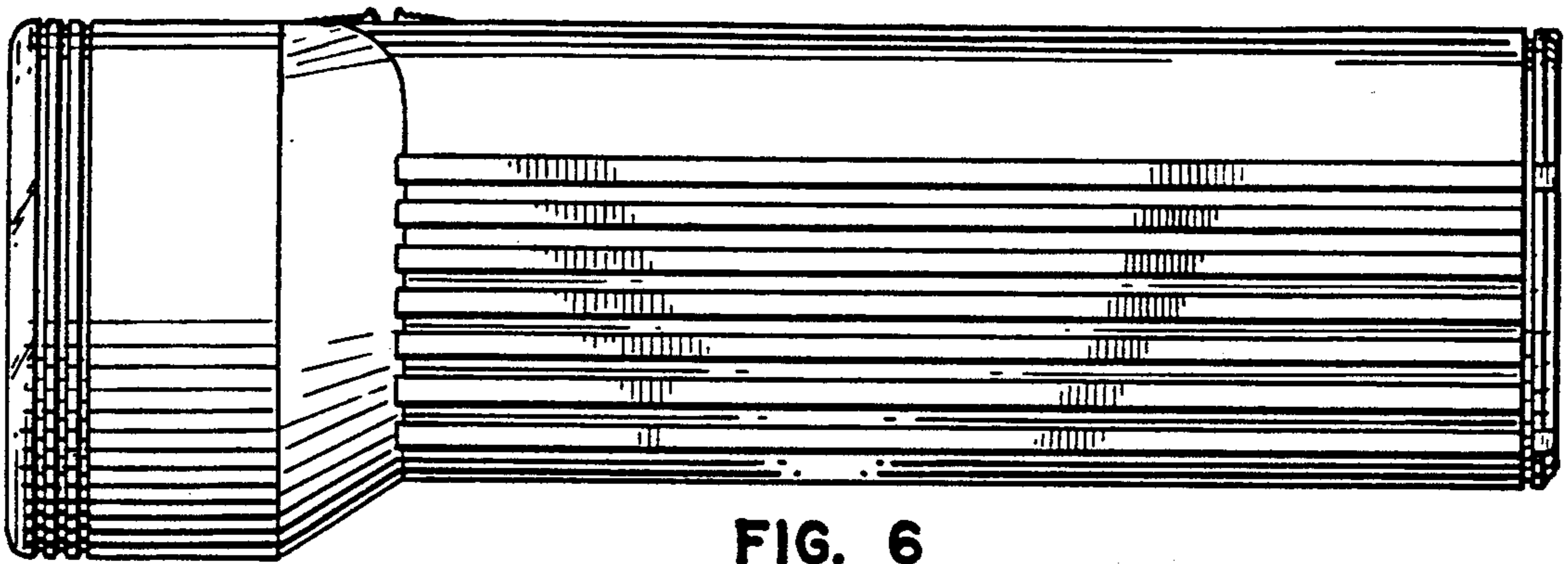


FIG. 6

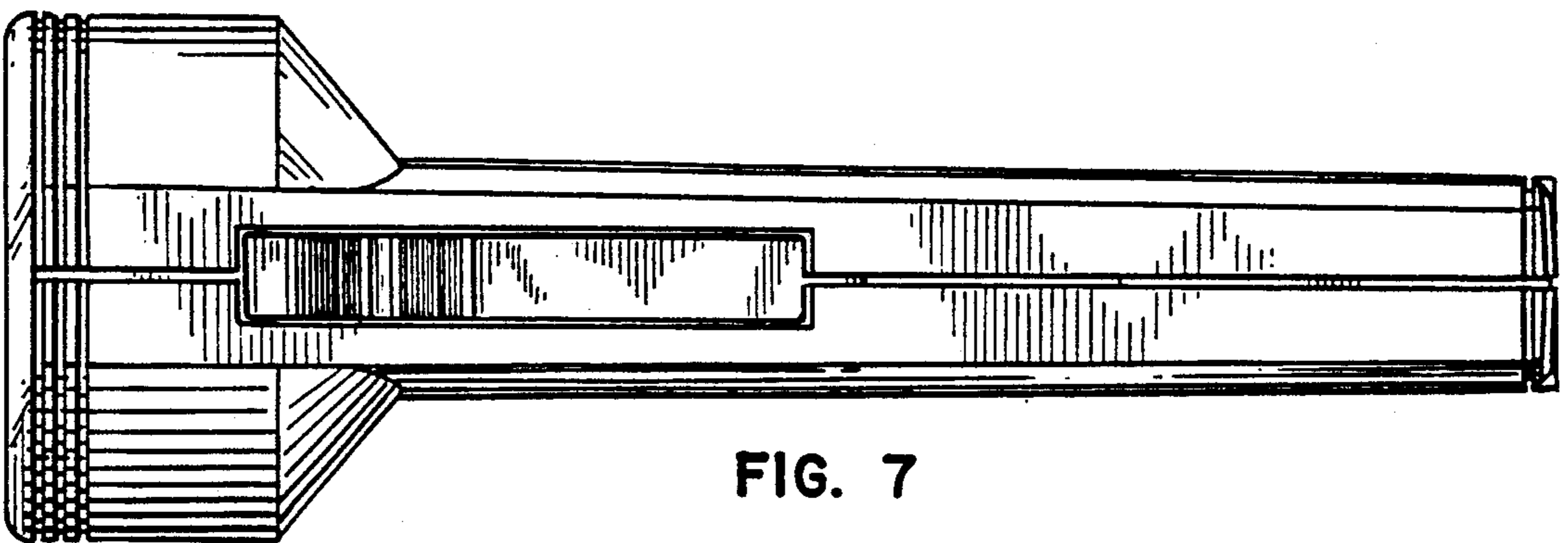


FIG. 7

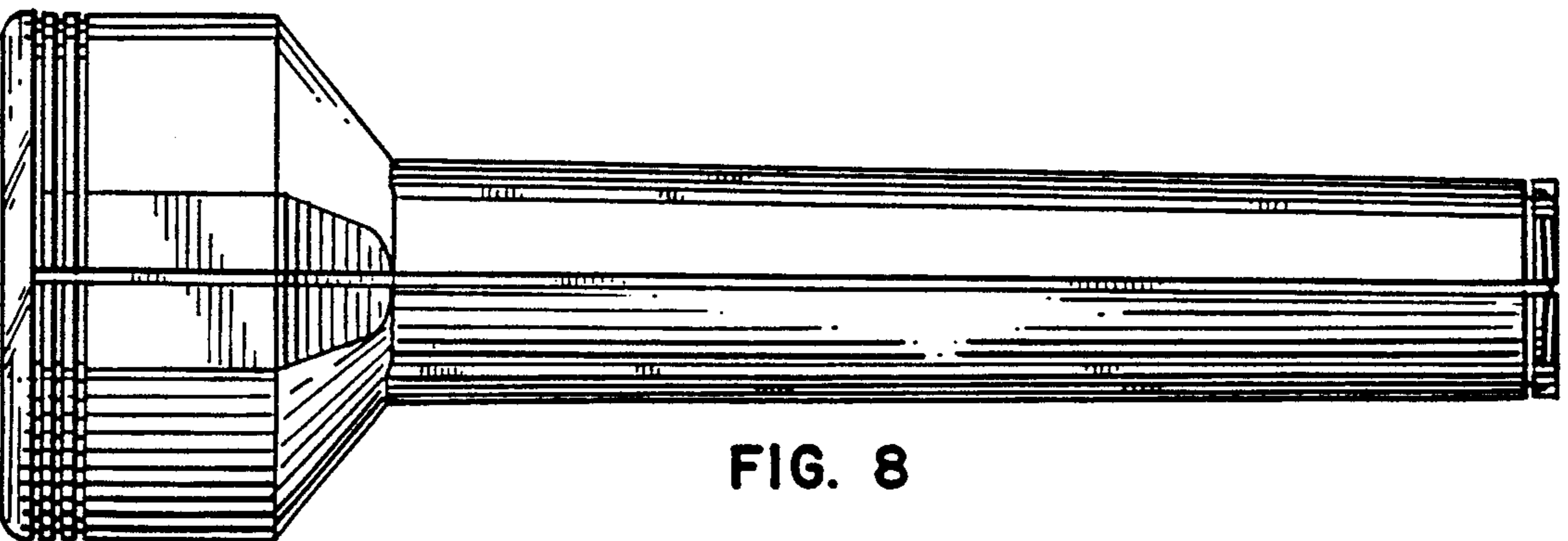


FIG. 8

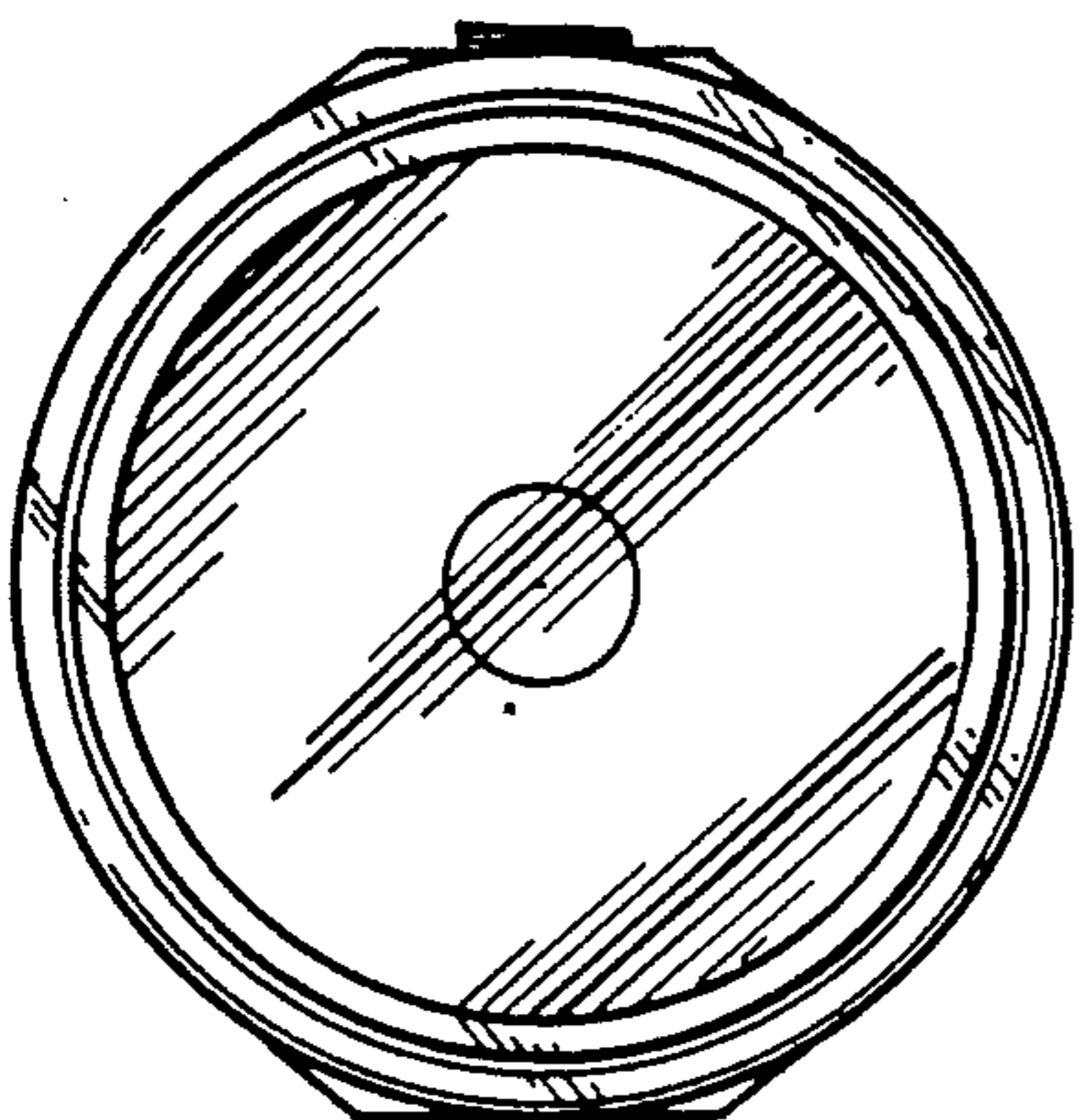


FIG. 9

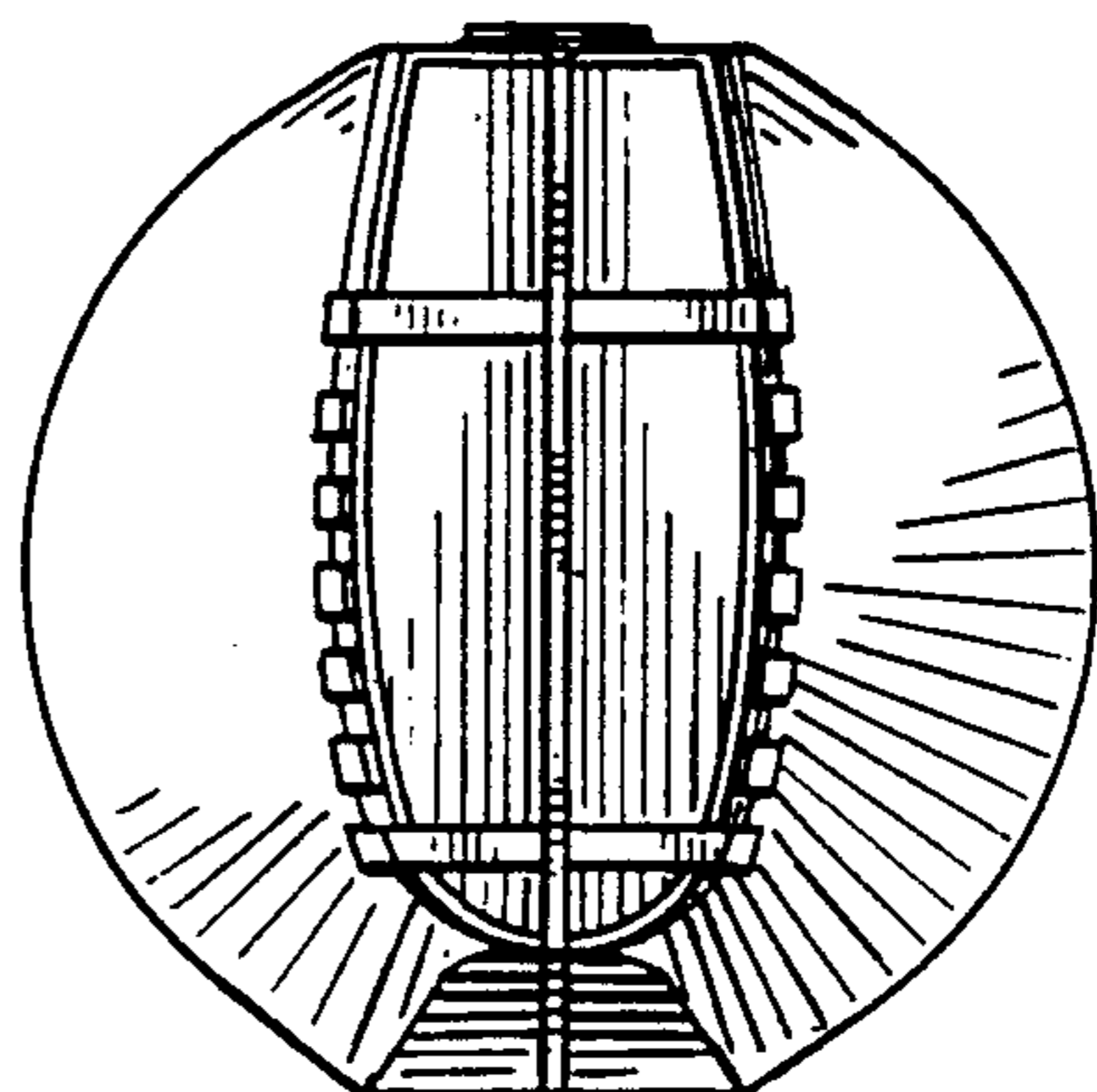


FIG. 10

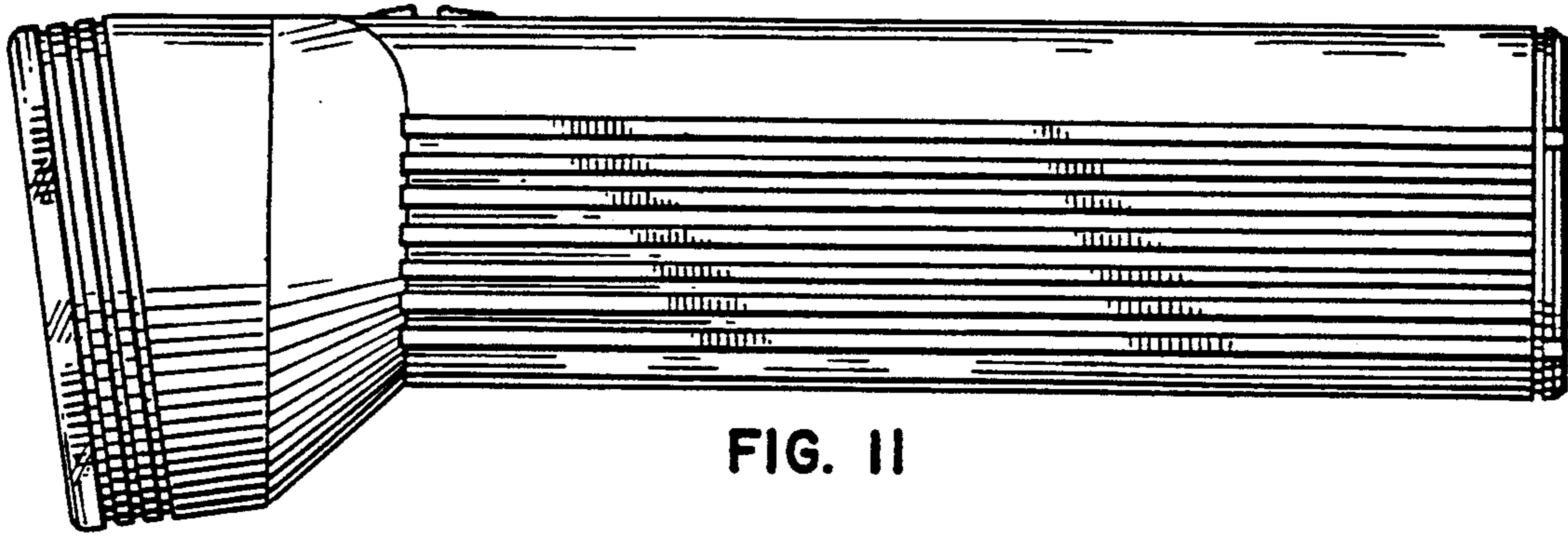


FIG. 11

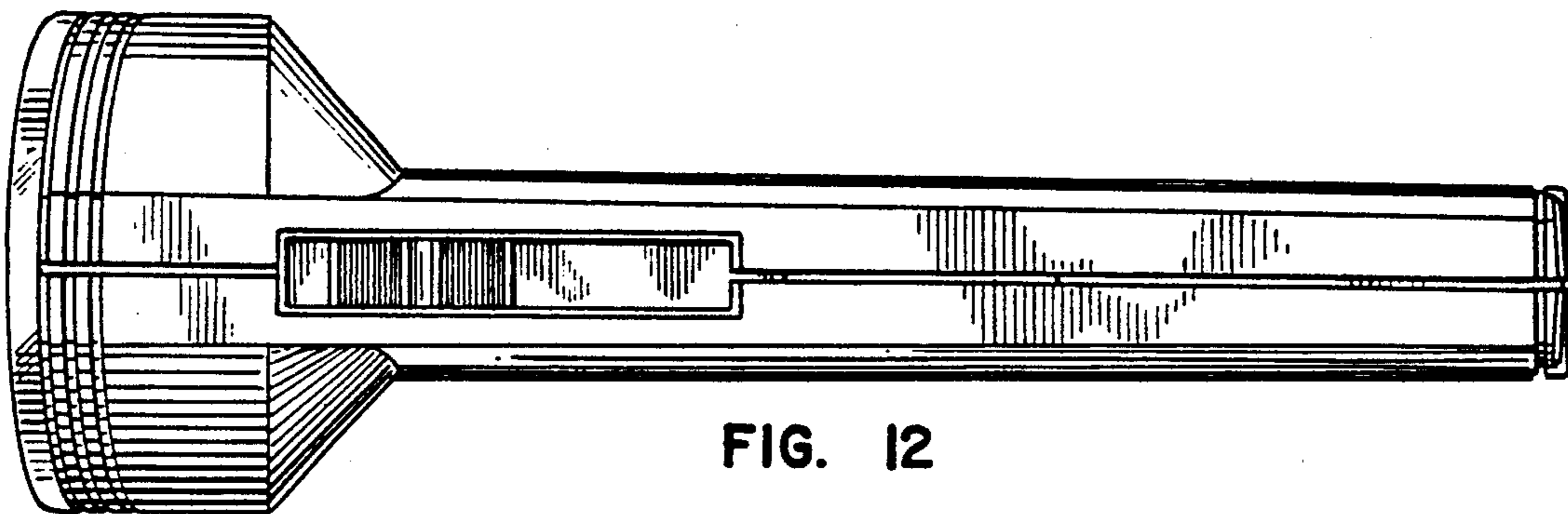


FIG. 12

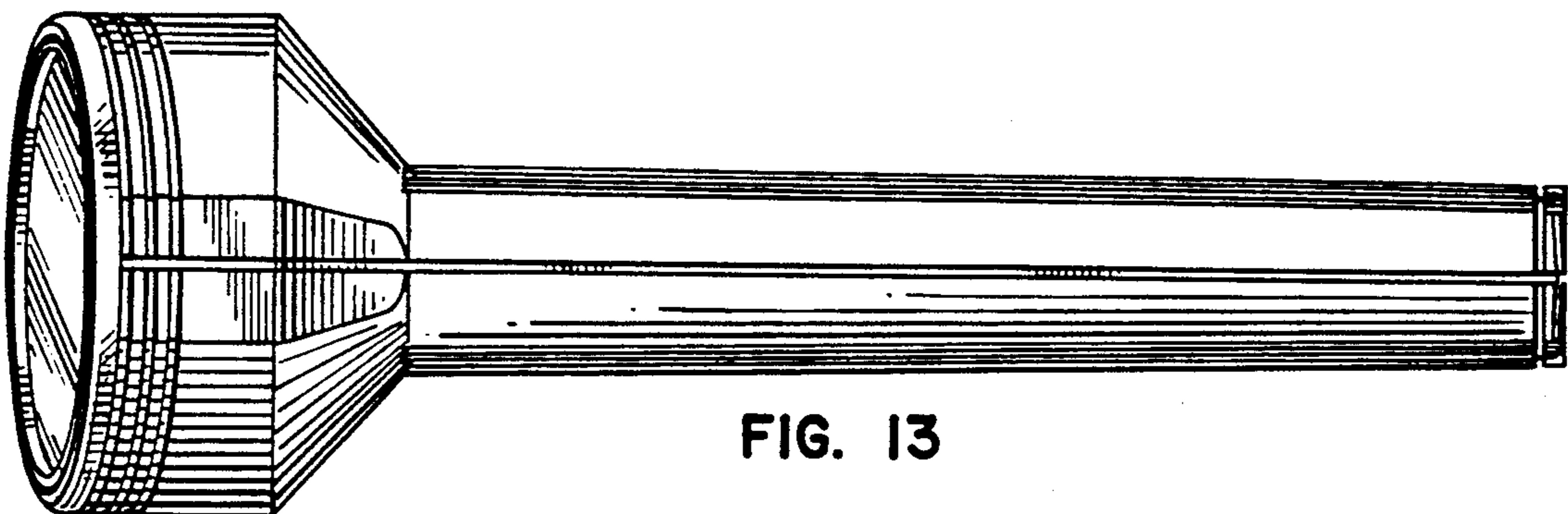


FIG. 13

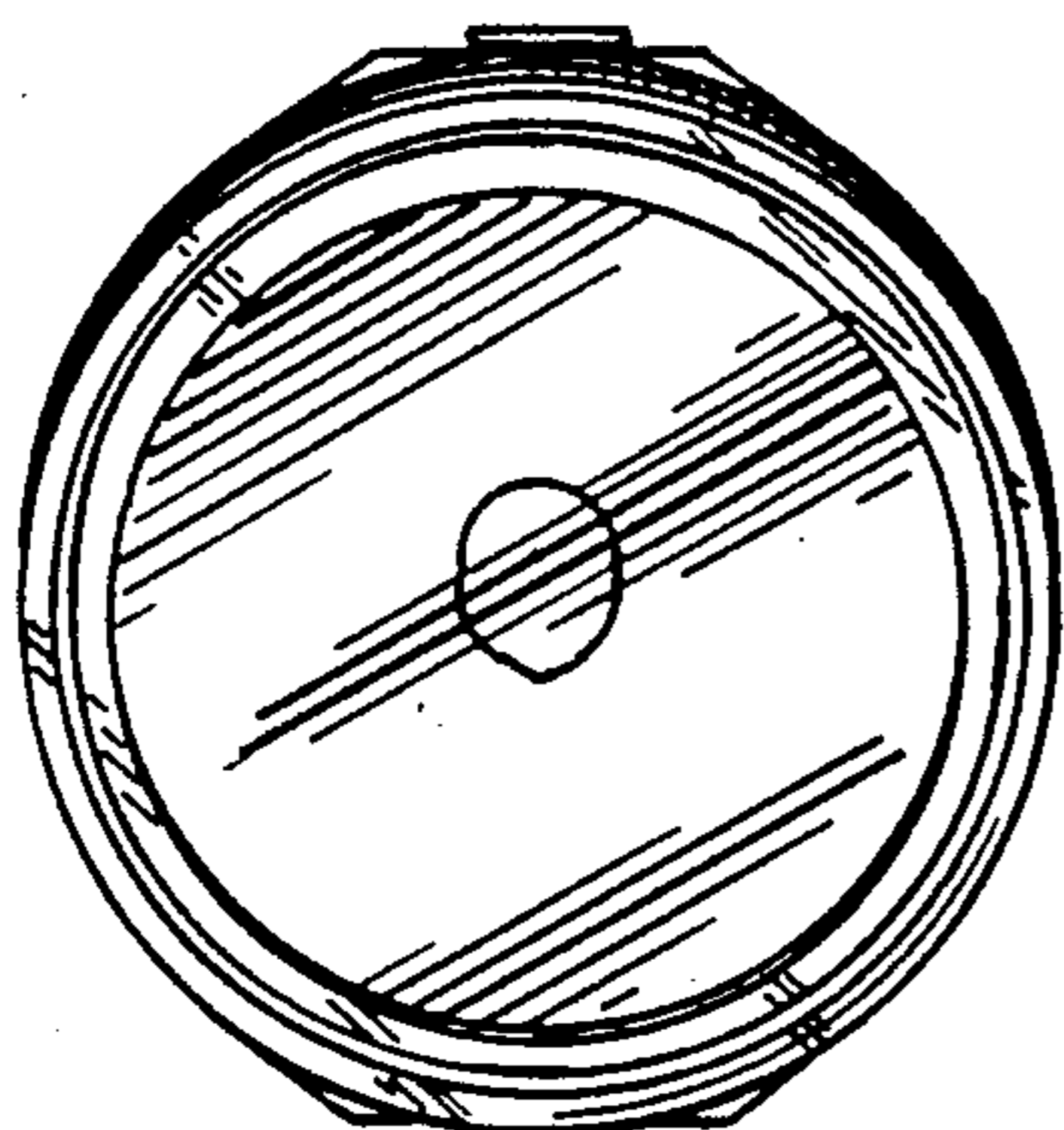


FIG. 14

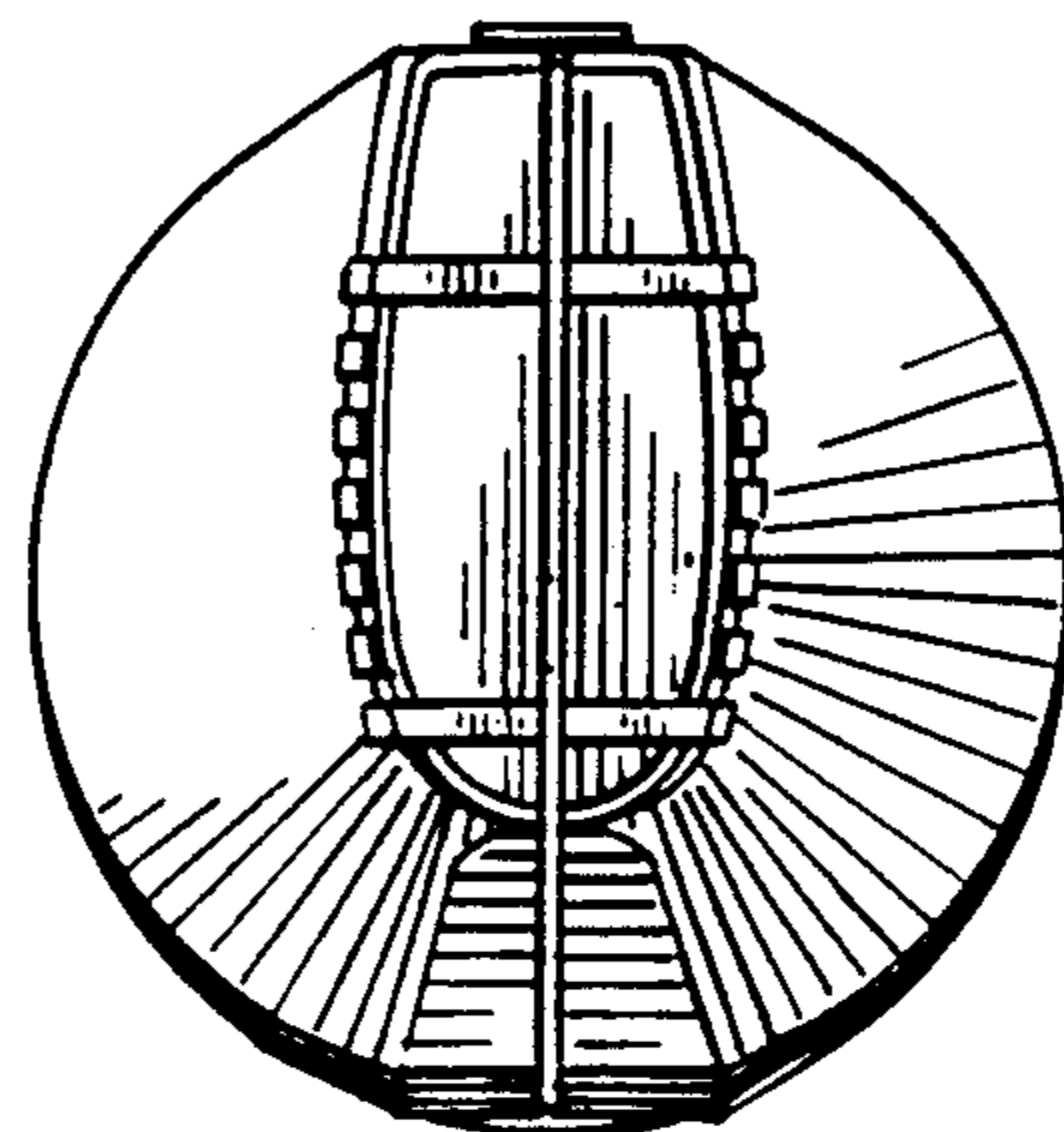


FIG. 15

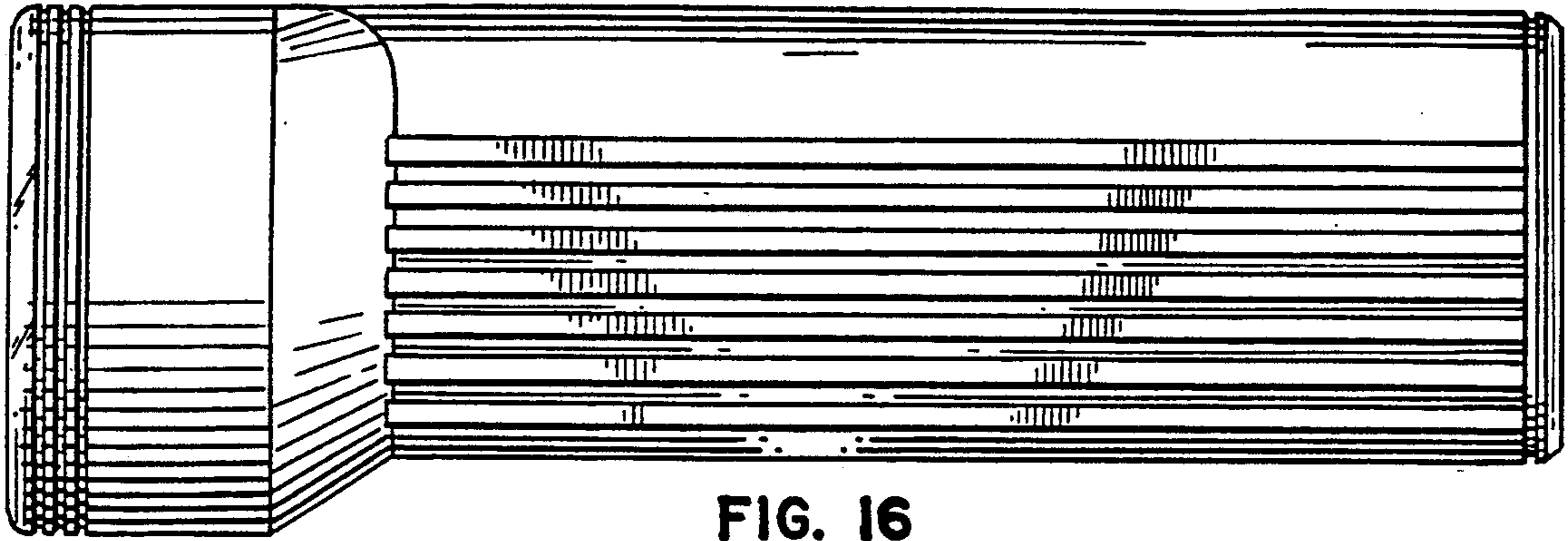


FIG. 16

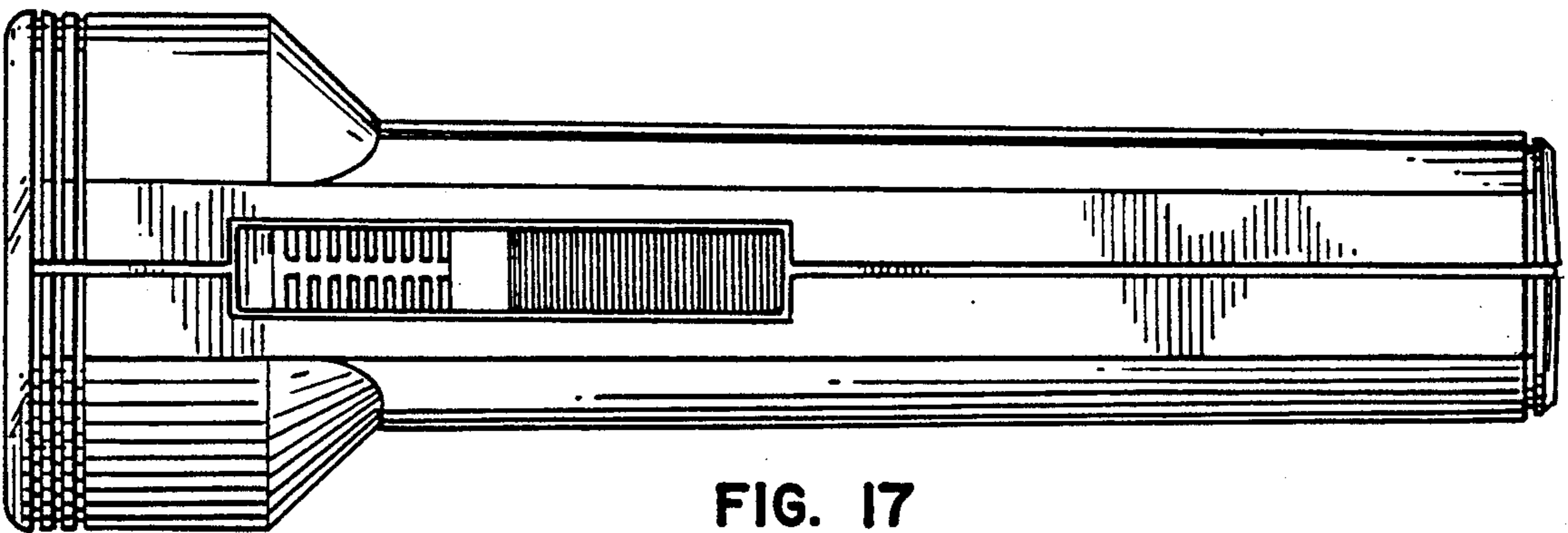


FIG. 17

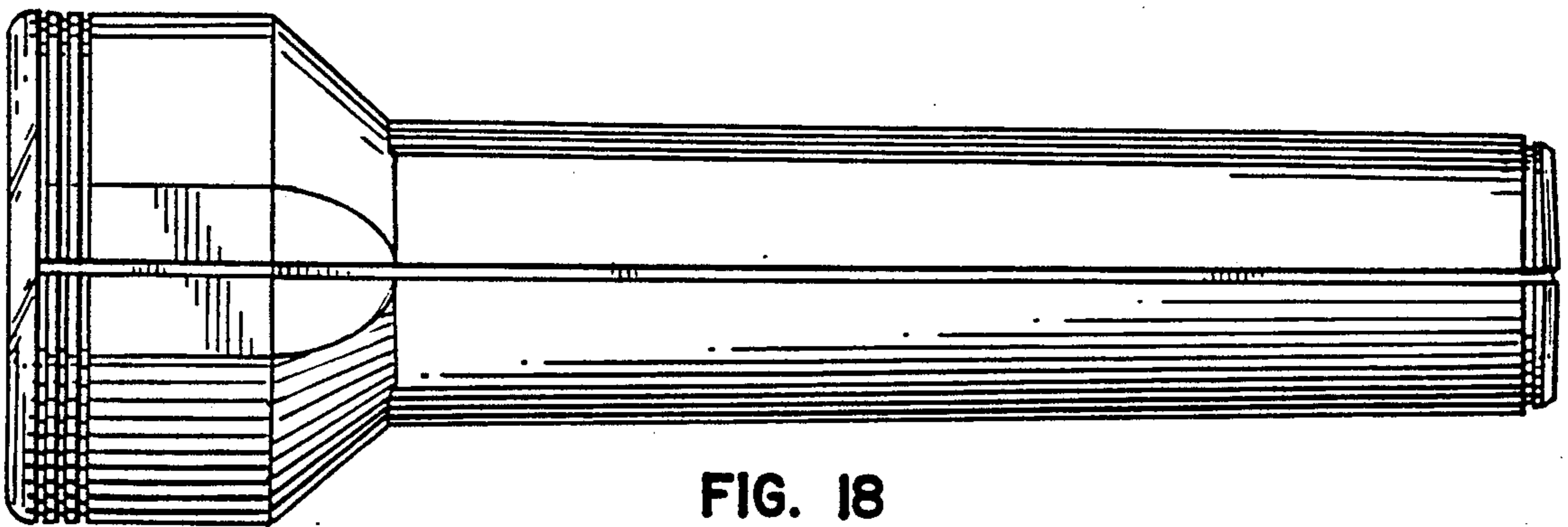


FIG. 18

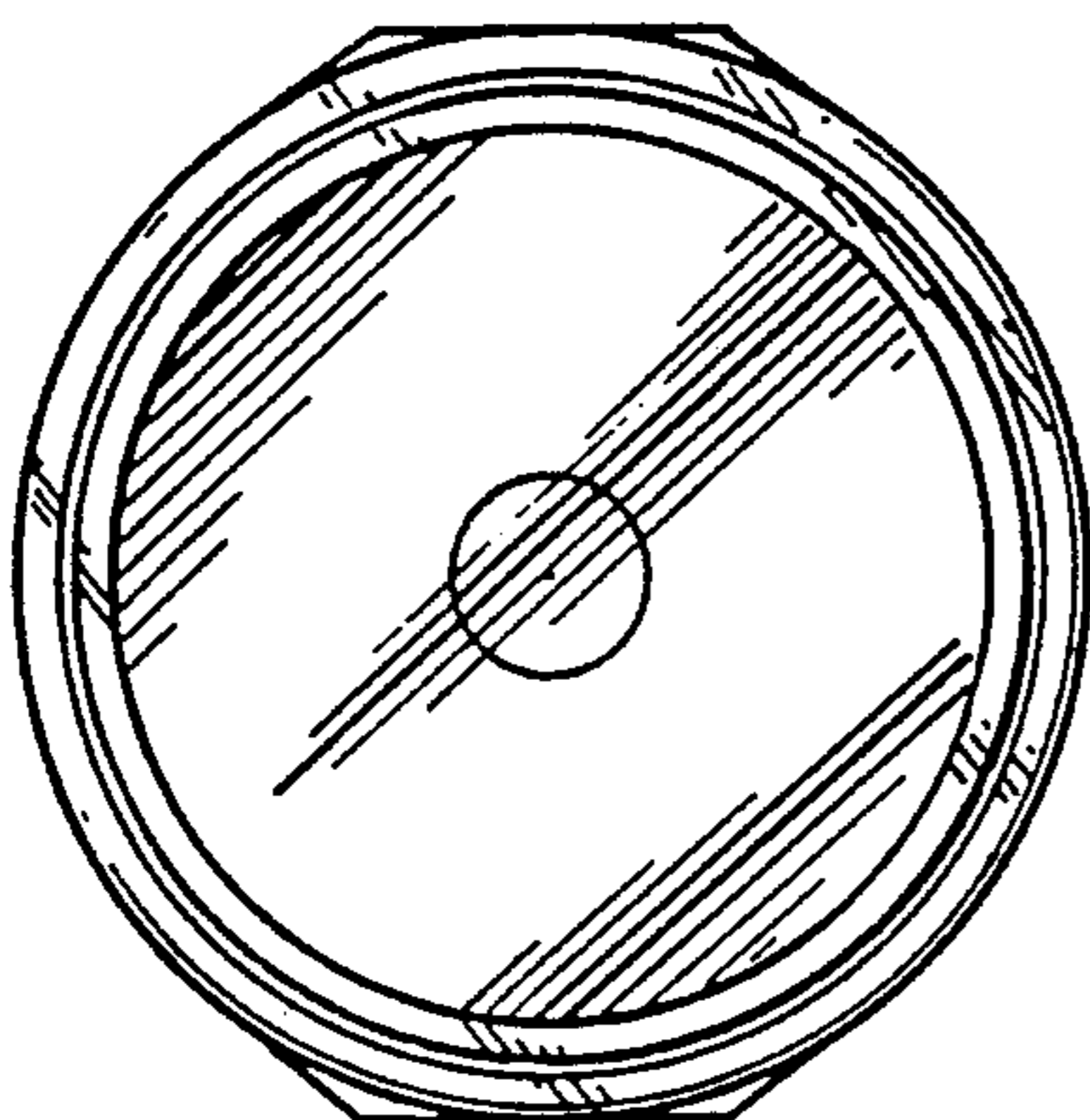


FIG. 19

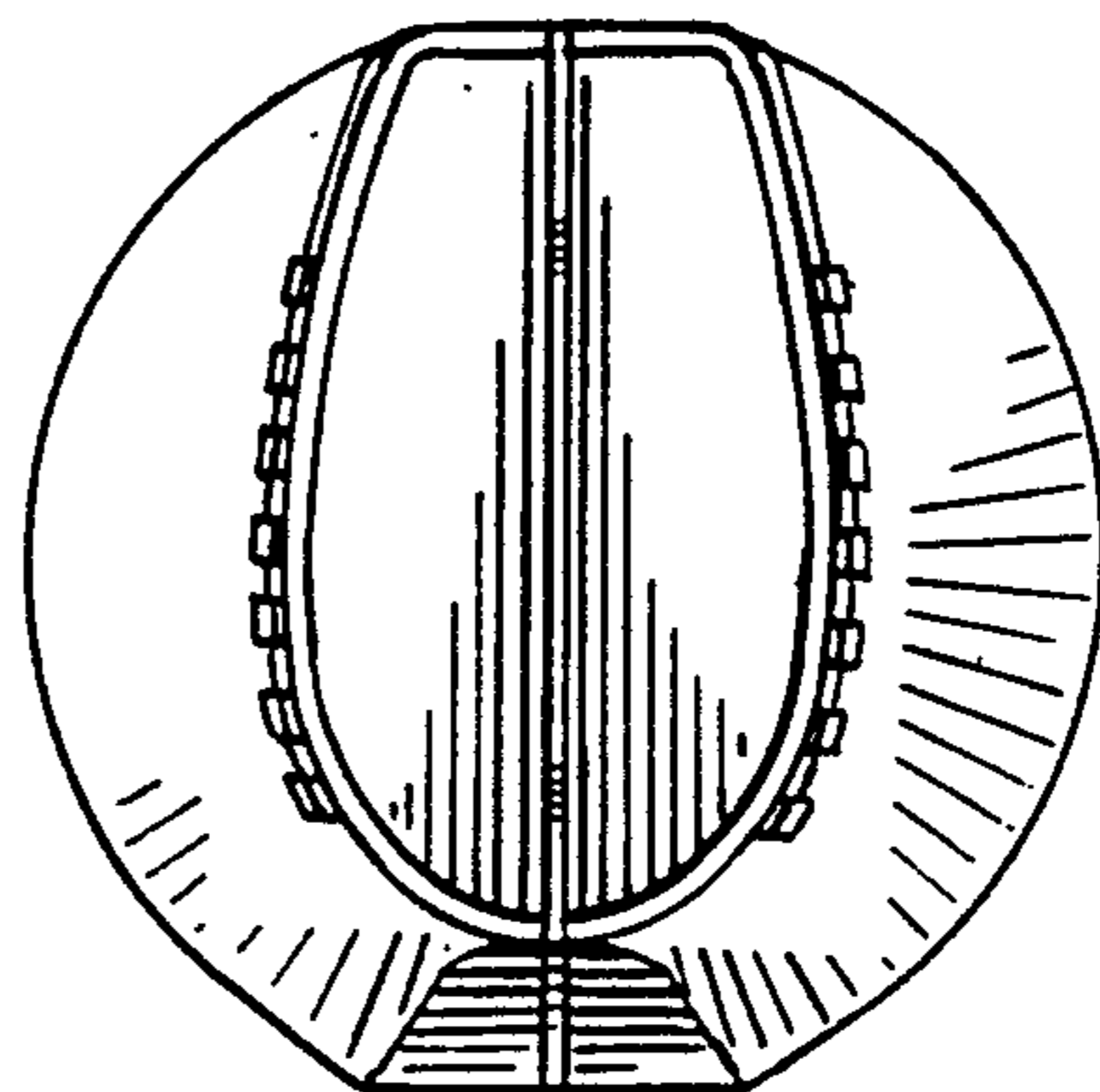


FIG. 20

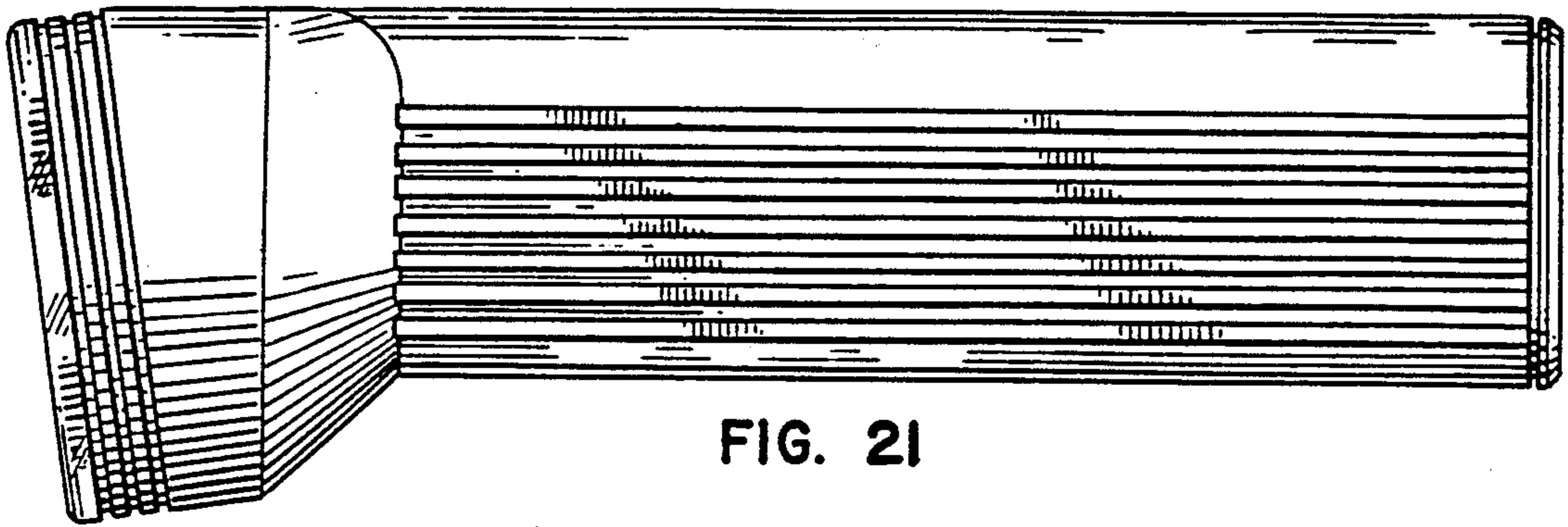


FIG. 21

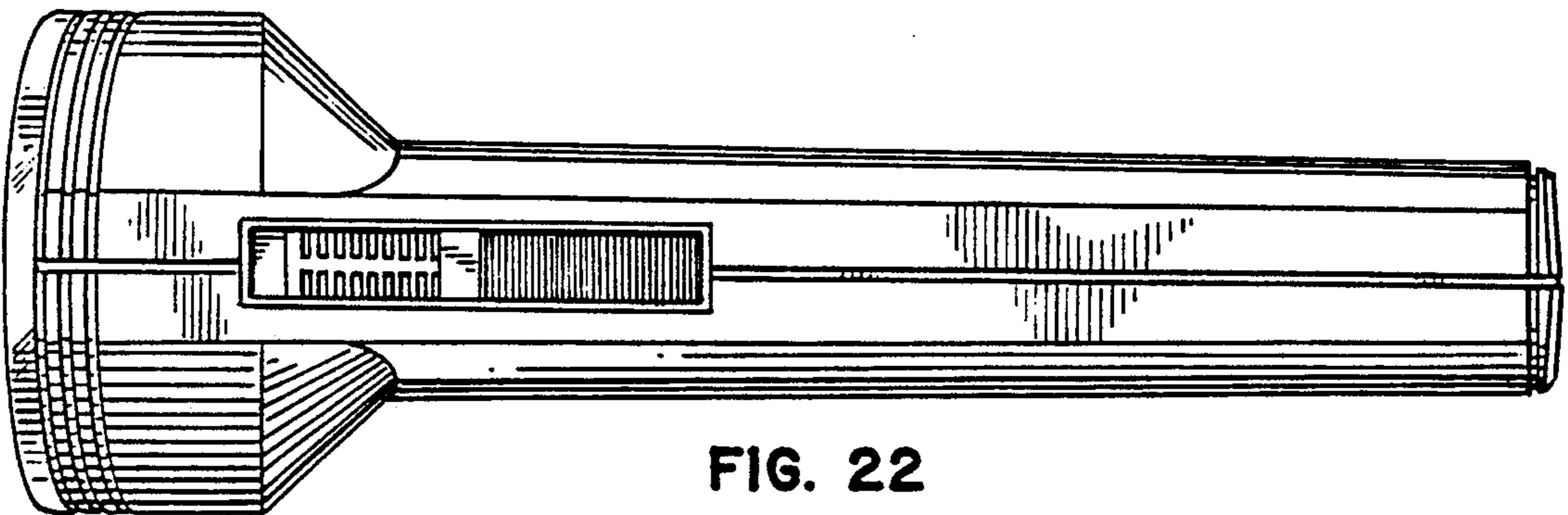


FIG. 22

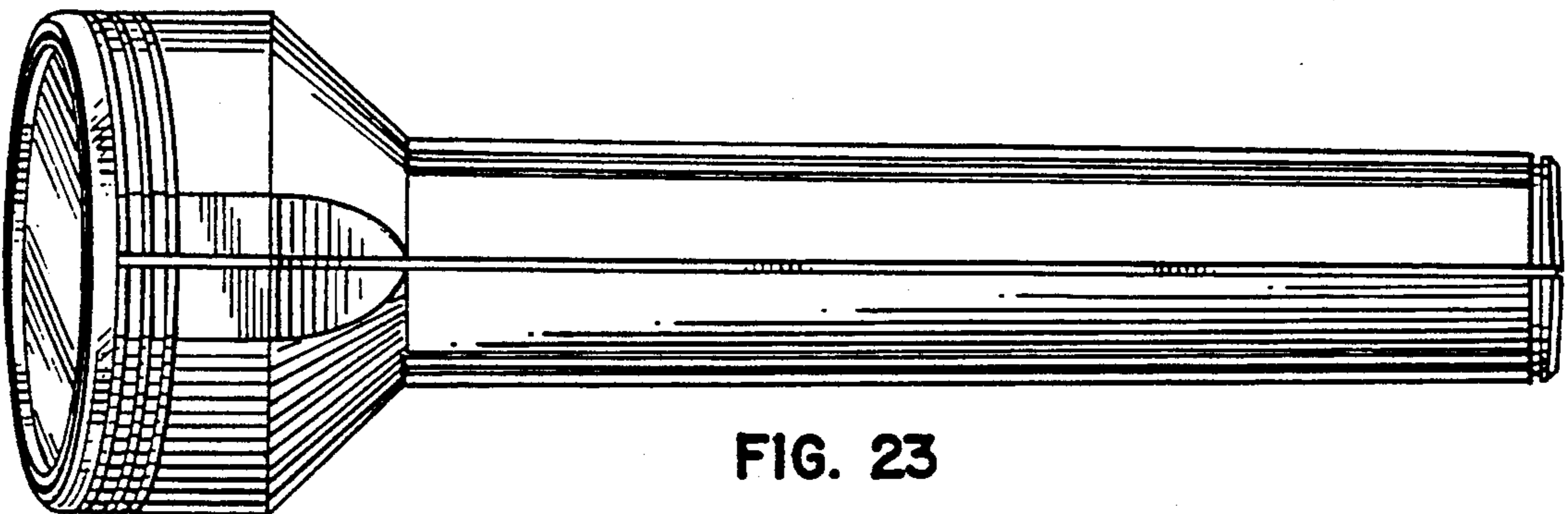


FIG. 23

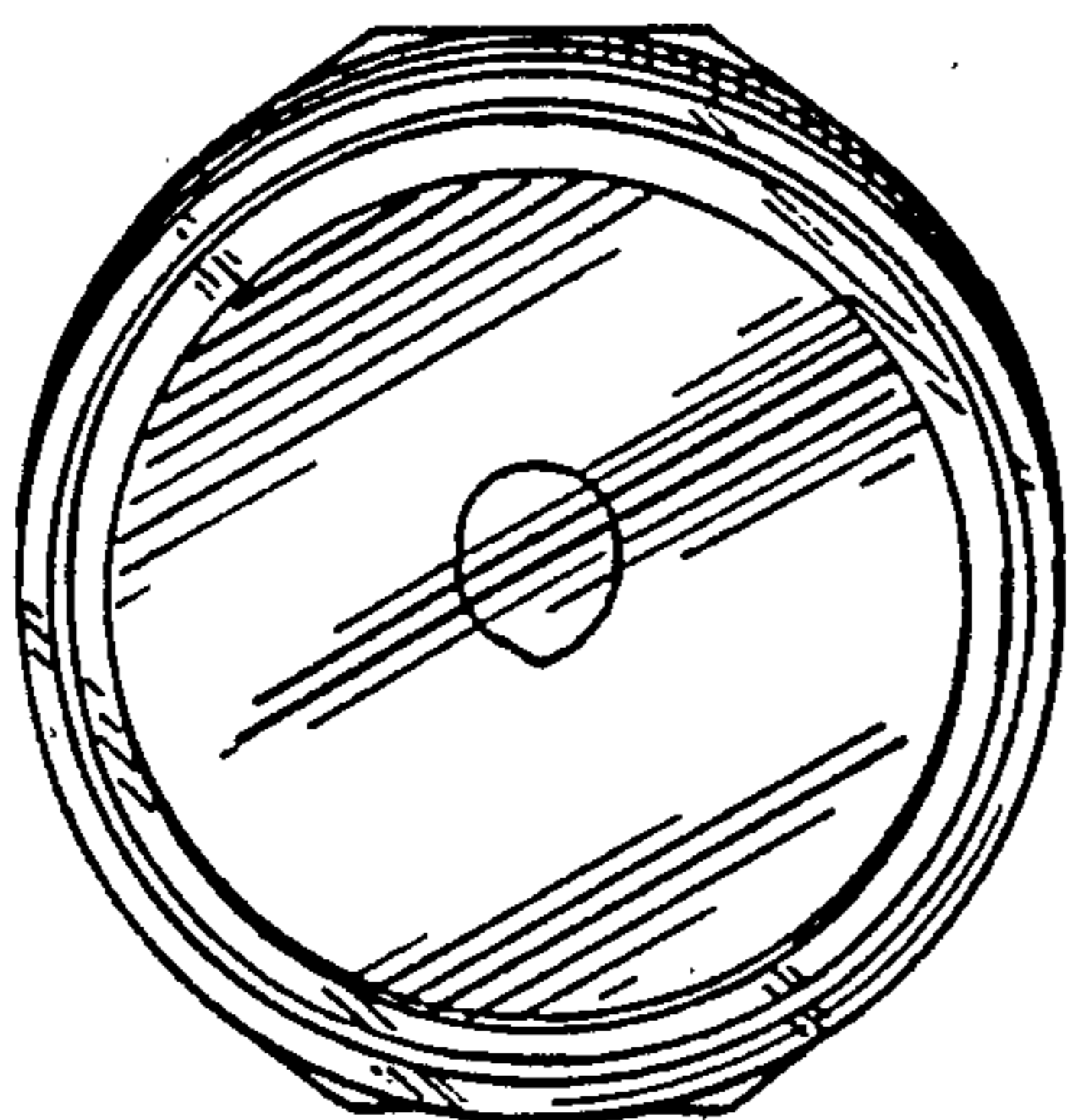


FIG. 24

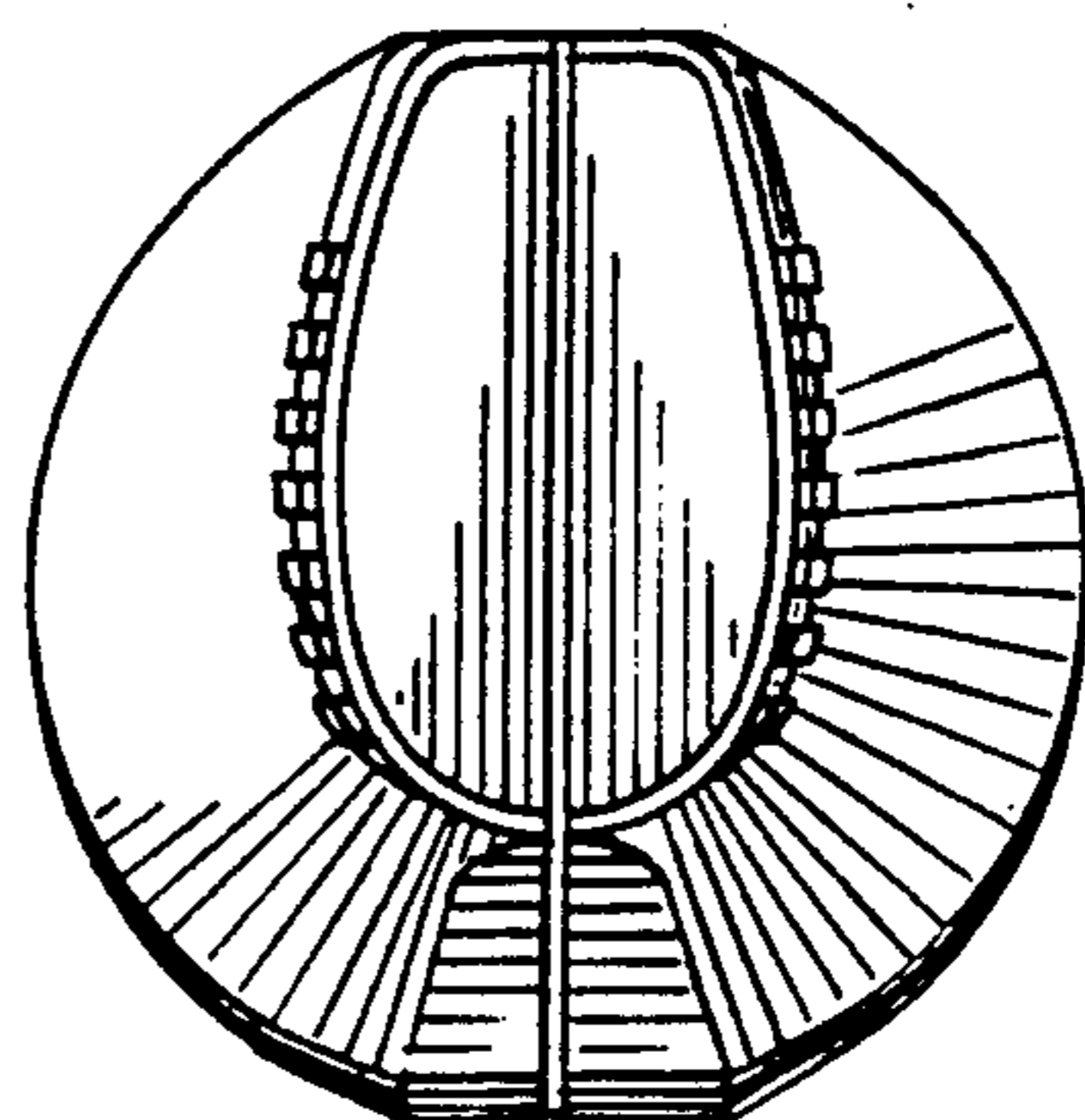


FIG. 25