

[54] FLUORESCENT LAMP

[56] References Cited

[75] Inventors: Masashi Sangen, Hyogo; Naoyuki Nakamura; Masaru Yamaguchi, both of Okayama, all of Japan

U.S. PATENT DOCUMENTS

- D. 292,320 10/1987 Futatsugi et al. D26/3
- 2,020,708 11/1935 Uysterhoven et al. 313/113 X
- 3,501,662 3/1970 Plagge 313/493
- 4,545,774 10/1985 Van Gils et al. 313/493 X

[73] Assignee: Matsushita Electronics Corporation, Osaka, Japan

Primary Examiner—Susan J. Lucas
Attorney, Agent, or Firm—Sughrue, Mion, Zinn, Macpeak & Seas

[**] Term: 14 Years

[57] CLAIM

The ornamental design for a fluorescent lamp, as shown and described.

[21] Appl. No.: 144,449

DESCRIPTION

[22] Filed: Jan. 15, 1988

FIG. 1 is a front, top and right side perspective view of a fluorescent lamp showing our new design;
 FIG. 2 is a top plan view thereof;
 FIG. 3 is a front elevational view thereof, the rear being similar thereto;
 FIG. 4 is a right elevational view thereof, the opposite side being a mirror image thereof; and
 FIG. 5 is a bottom plan view thereof.

[30] Foreign Application Priority Data

- Jul. 20, 1987 [JP] Japan 62-29392
- [52] U.S. Cl. D26/3
- [58] Field of Search D26/2, 3; 313/493, 318, 313/479

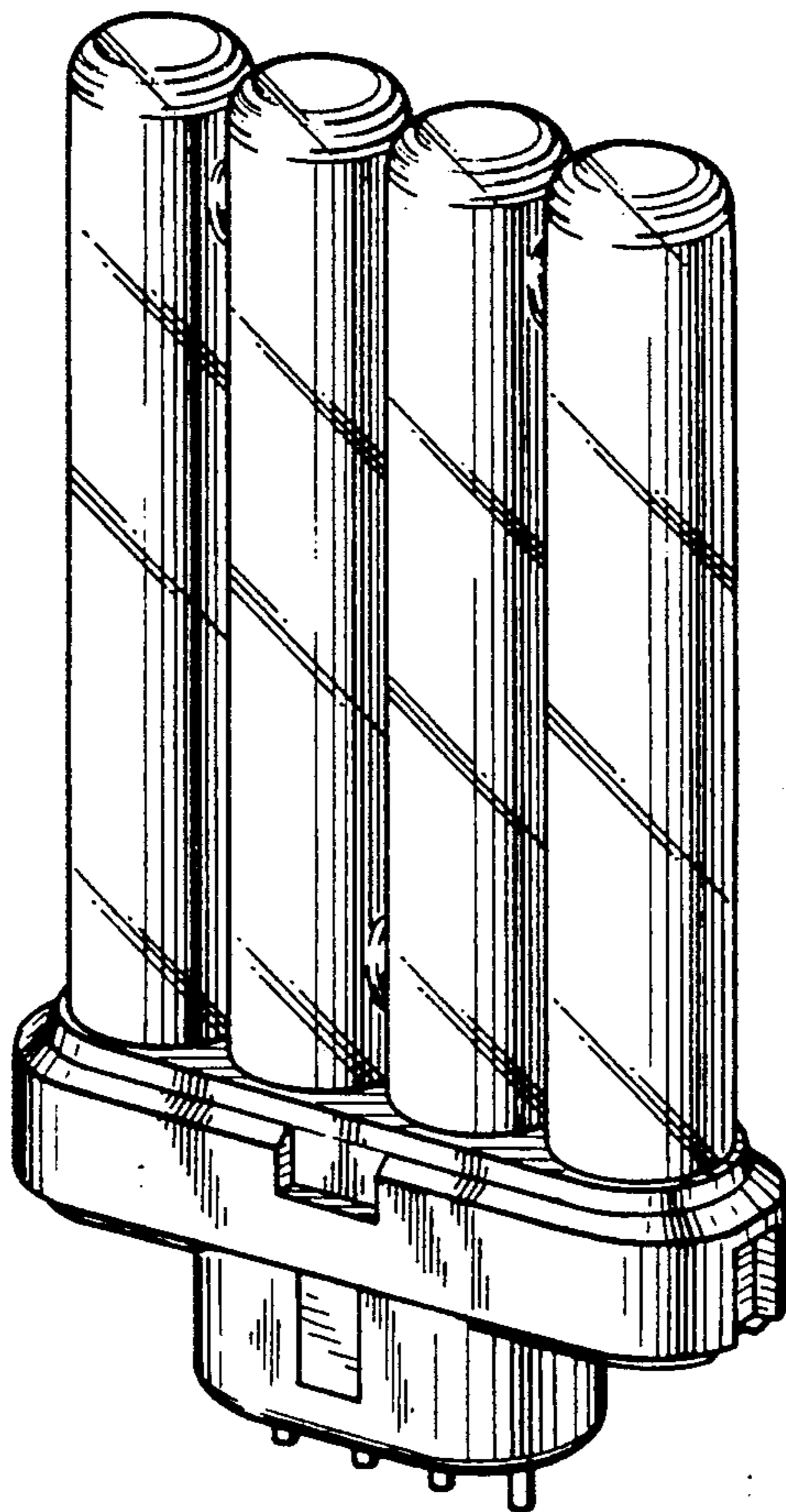


FIG. 1

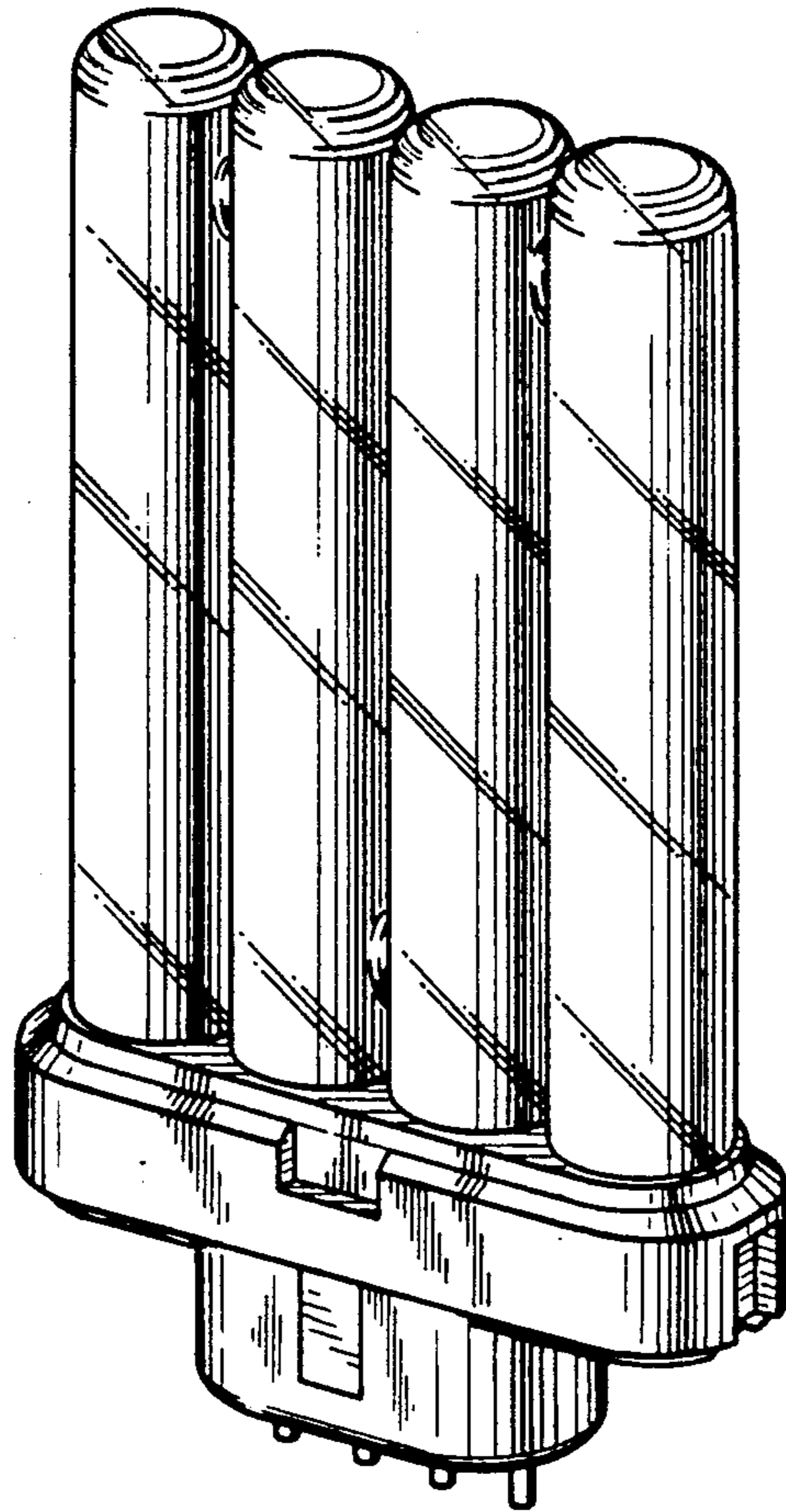


FIG. 2

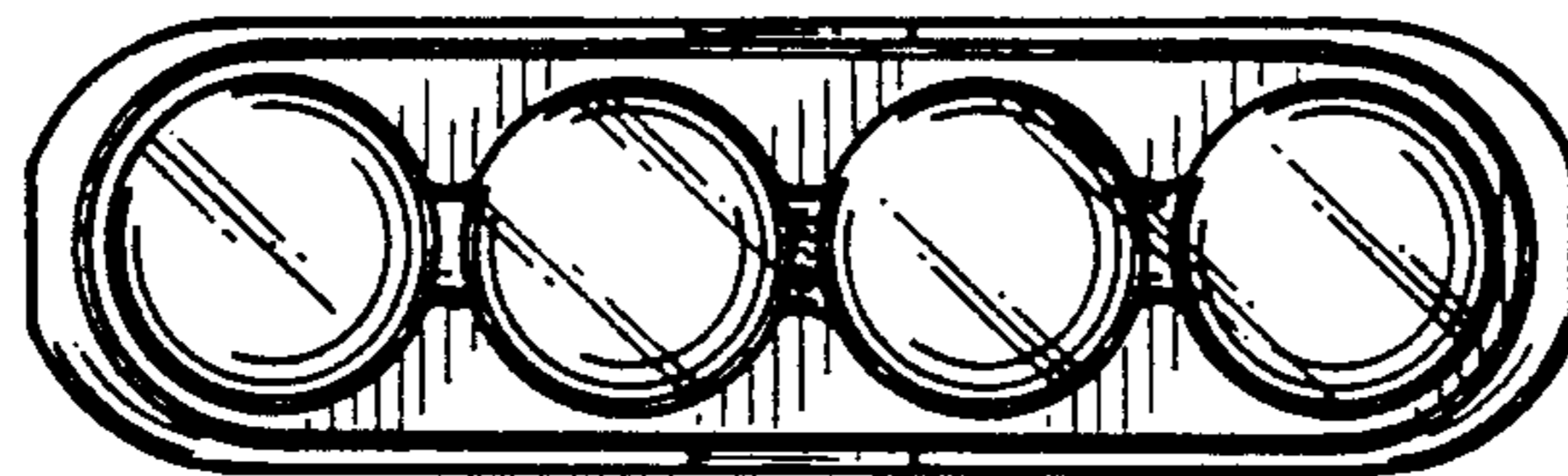


FIG. 3

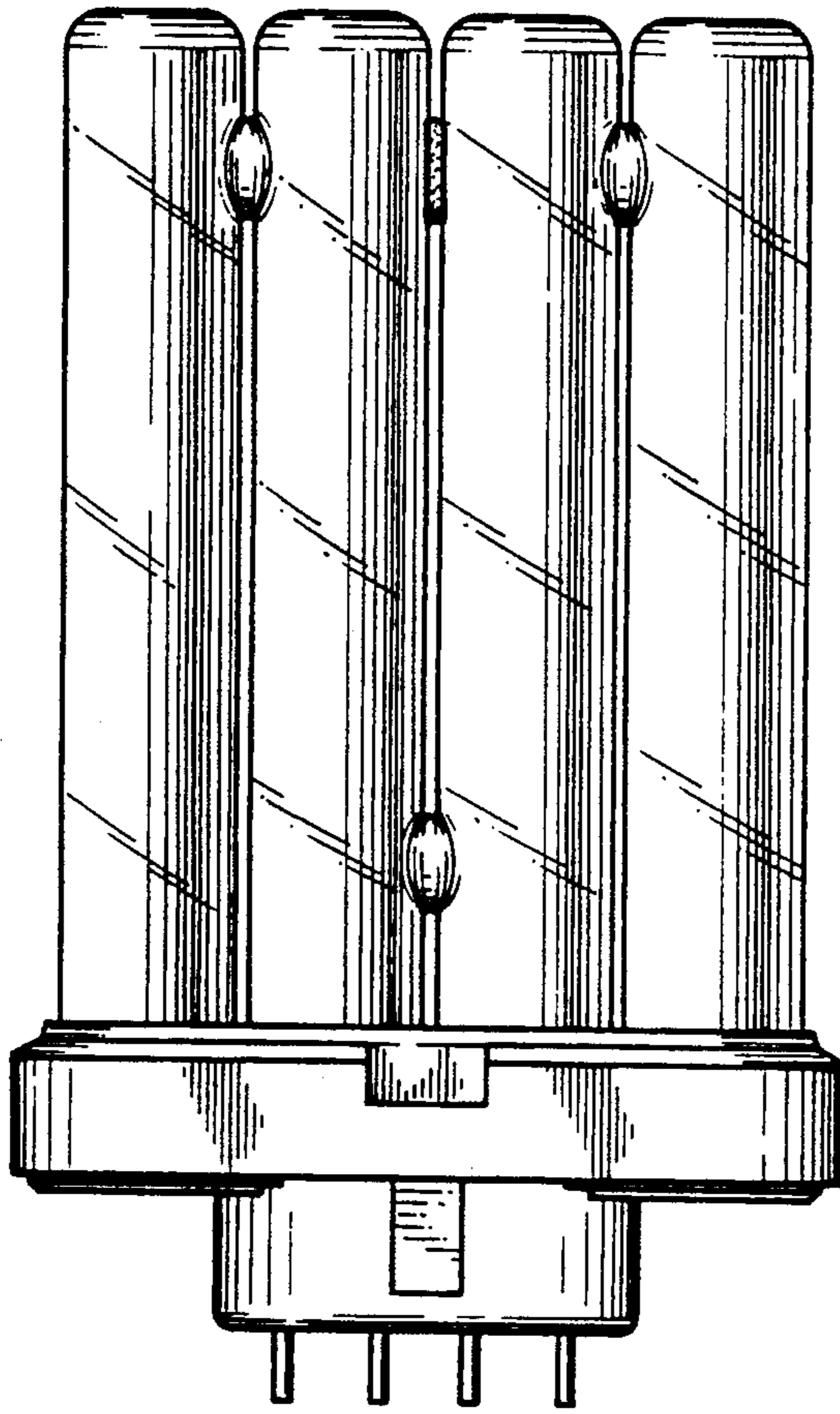


FIG. 4

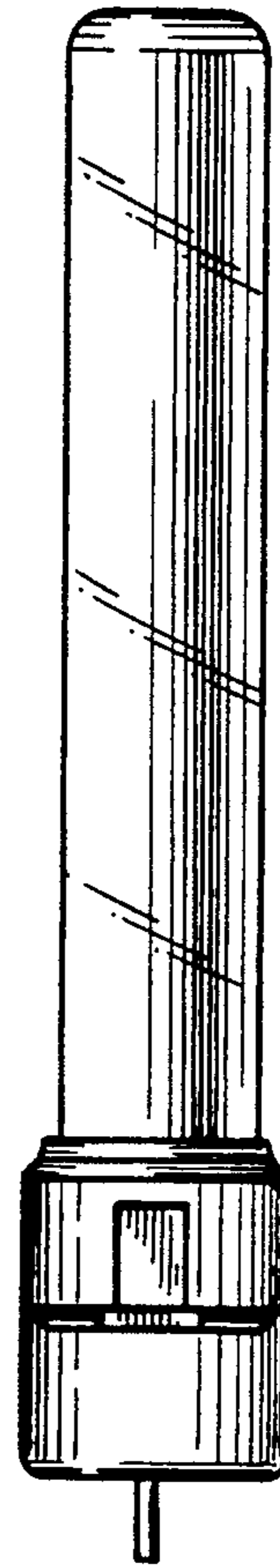


FIG. 5

