

[54] DOOR PANEL

[75] Inventor: Roger C. Hall, Jasper, Tex.

[73] Assignee: Visador Company, Jasper, Tex.

[**] Term: 14 Years

[21] Appl. No.: 261,061

[22] Filed: Oct. 24, 1988

[52] U.S. Cl. D25/48

[58] Field of Search D25/47, 48, 58; D6/300,
D6/302, 329, 332, 510, 514, 520; 52/455, 456,
457, 311, 312, 314, 458; 312/221, 216, 222, 219,
217, 242, 245, 109

[56] References Cited

U.S. PATENT DOCUMENTS

956,642 5/1910 Klein 256/19
3,046,692 9/1884 Bingaman D25/48

OTHER PUBLICATIONS

1984 Universal Design Book, (Nos. 231 and 233), reproduced in The Victorian Design Book.
Renovation Products Catalogue No. 101.

Primary Examiner—A. Hugo Word
Assistant Examiner—Doris Clark

Attorney, Agent, or Firm—Fulbright & Jaworski

[57] CLAIM

The ornamental design for a door panel, as shown and described.

DESCRIPTION

FIG. 1 is a front elevational view of a door panel showing a first embodiment of my new design, the rear elevational view being identical to the front;

FIG. 2 is a front elevational view of a second embodiment of my new design, the rear elevational view being identical to the front;

FIG. 3 is a cross-sectional view taken along line 3—3 of FIG. 1;

FIG. 4 is a cross-sectional view taken along line 4—4 of FIG. 1;

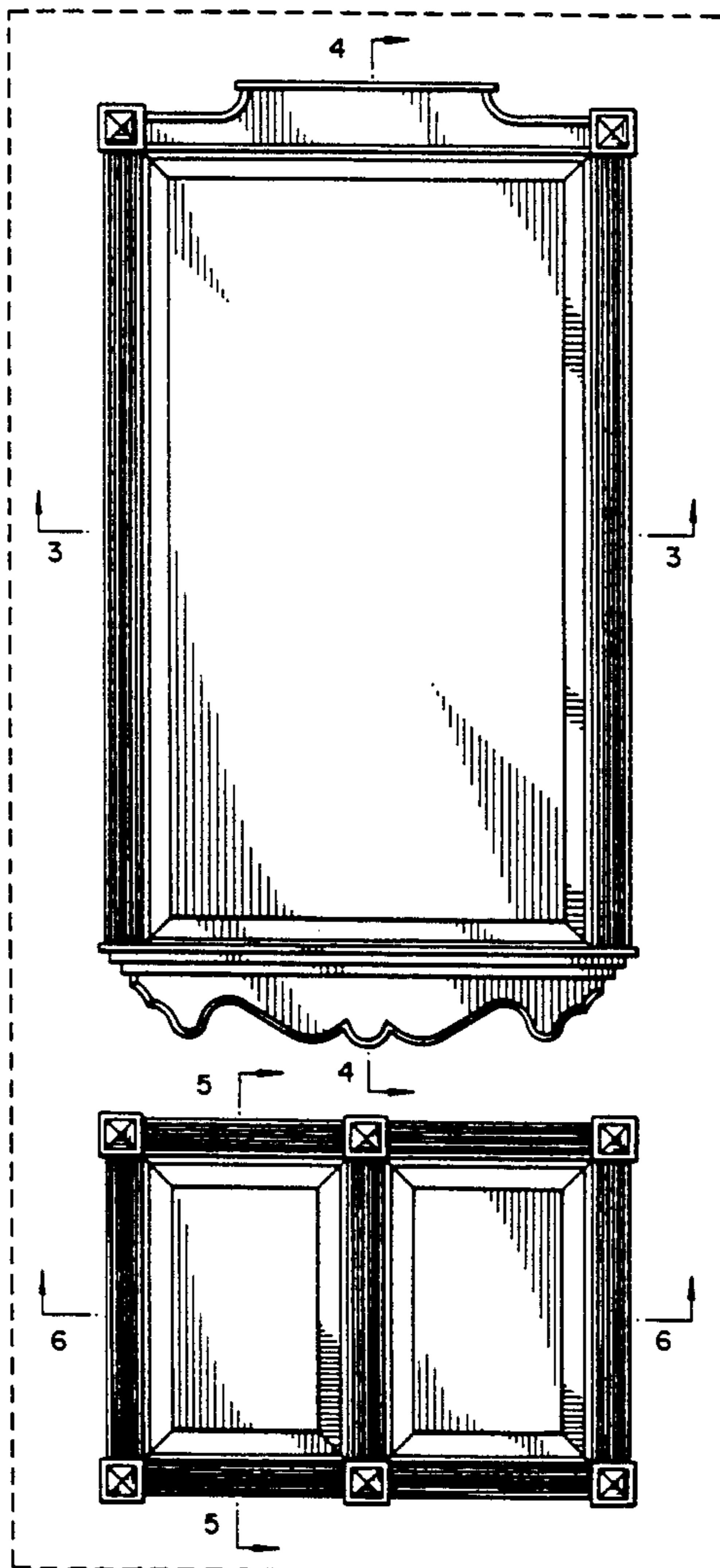
FIG. 5 is a cross-sectional view taken along line 5—5 of FIG. 1;

FIG. 6 is a cross-sectional view taken along line 6—6 of FIG. 1;

FIG. 7 is a cross-sectional view taken along line 7—7 of FIG. 2;

FIG. 8 is a cross-sectional view taken along line 8—8 of FIG. 2.

The broken line showing of a door is for illustrative purposes only and forms no part of the claimed design.



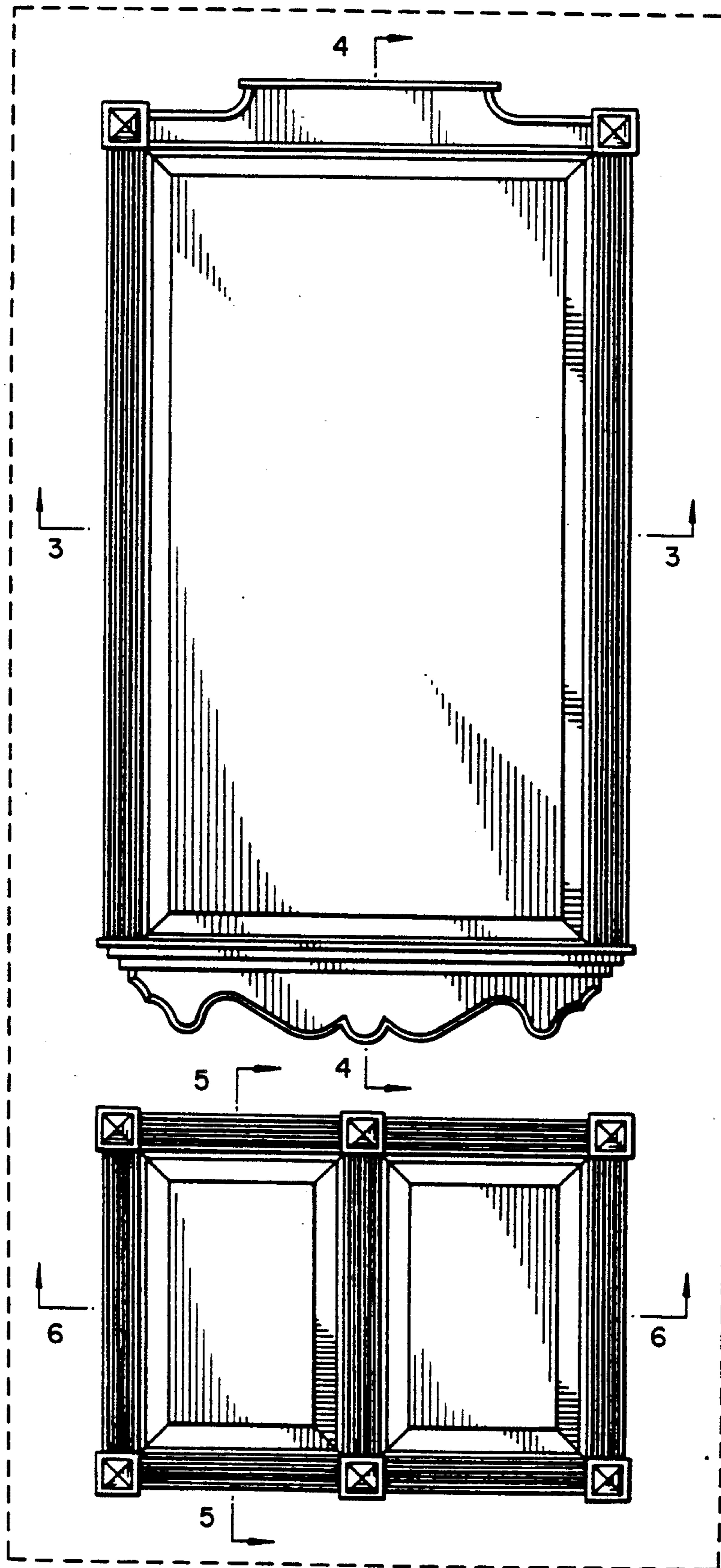


FIG. 1

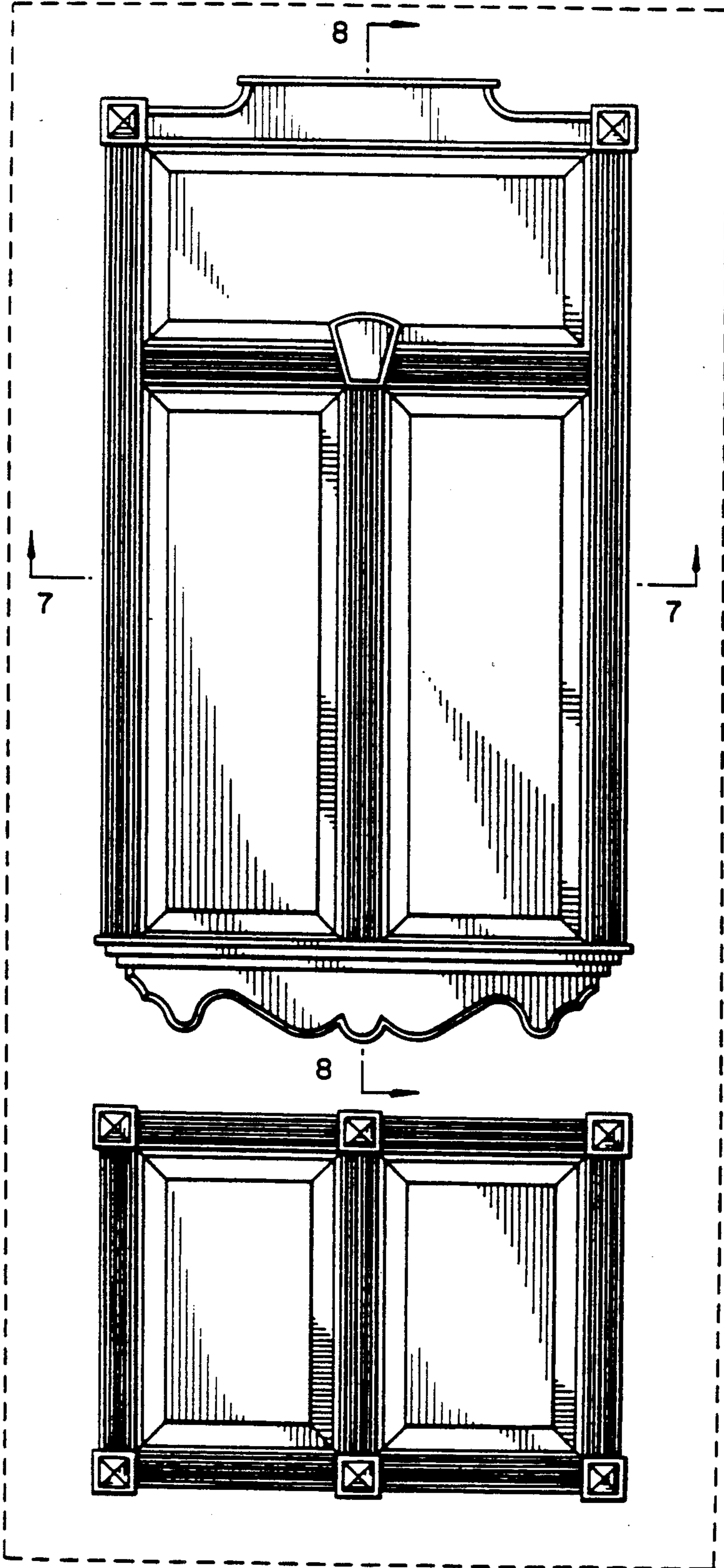


FIG. 2

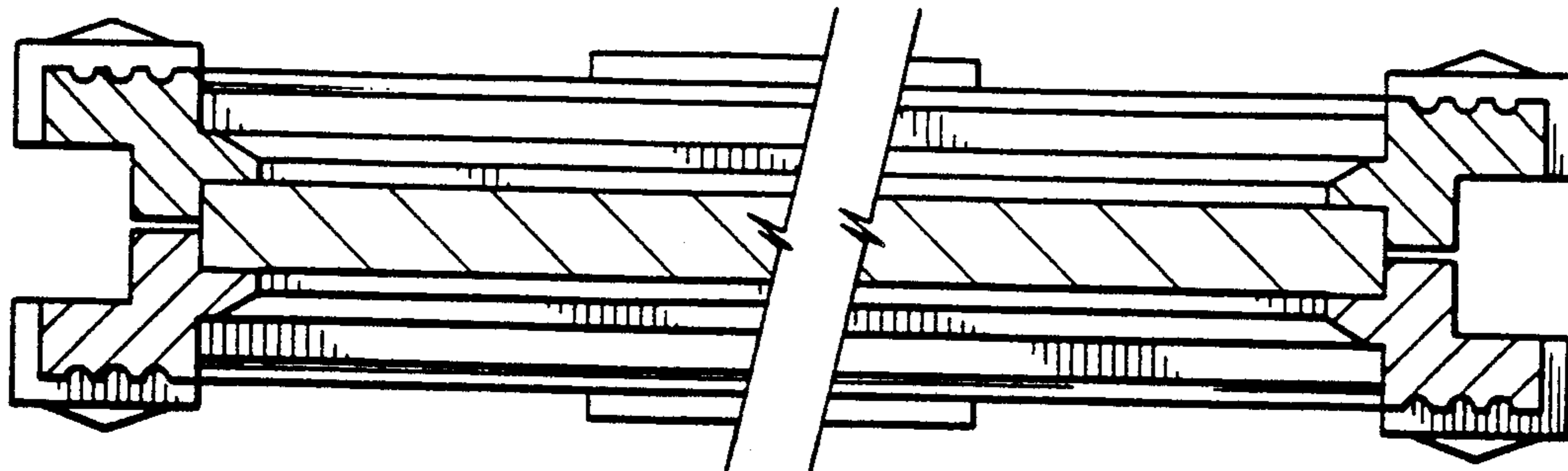


FIG. 3

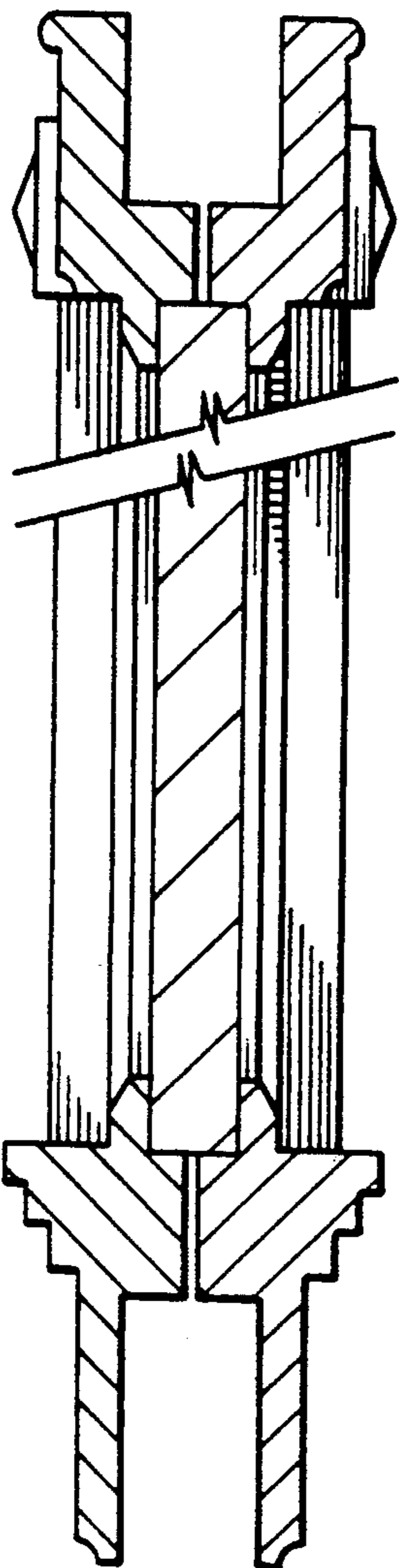


FIG. 4

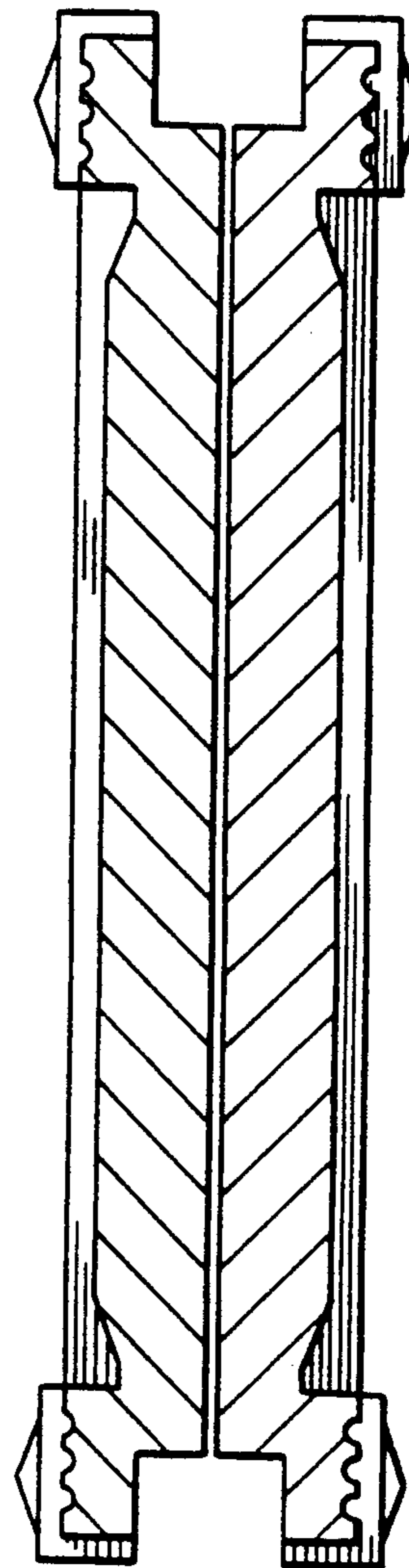


FIG. 5

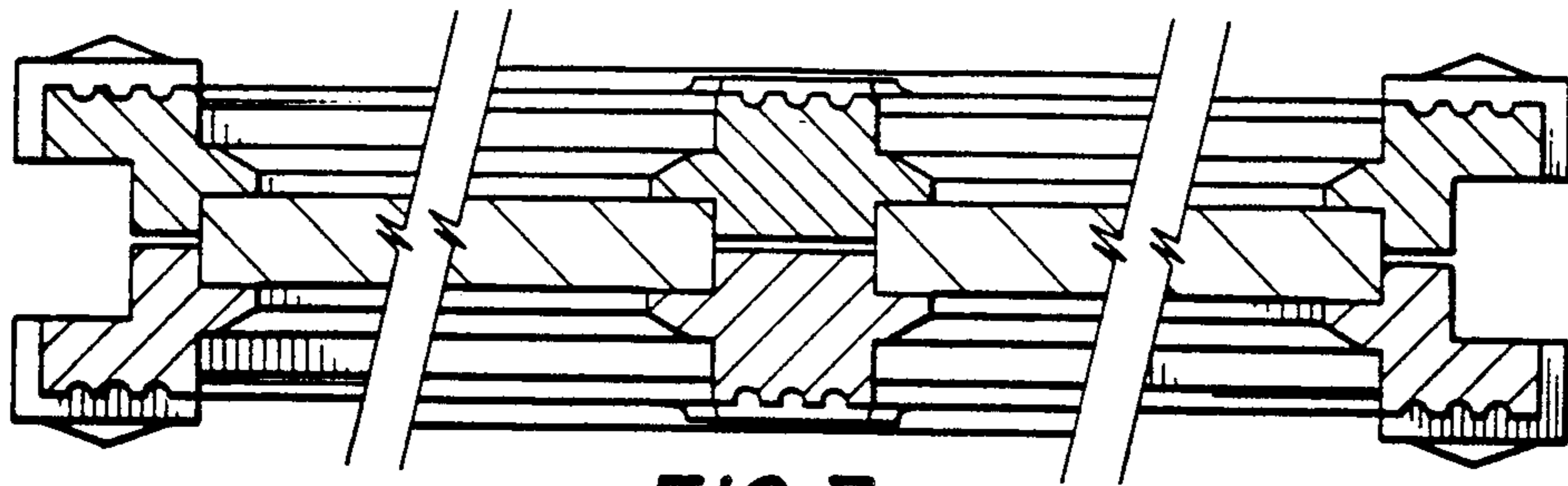


FIG. 7

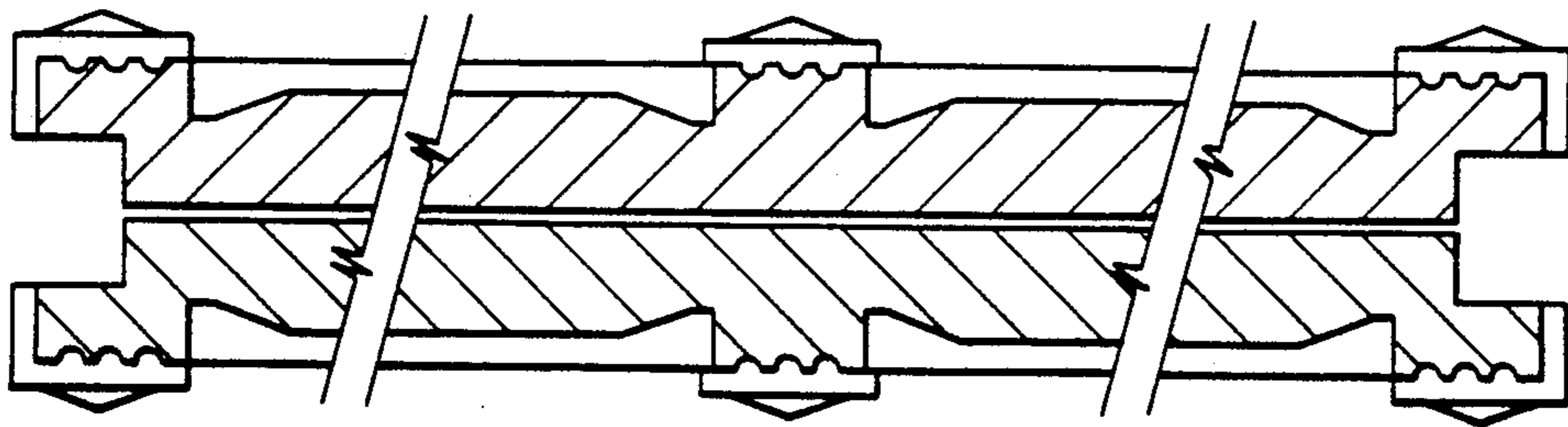


FIG. 6

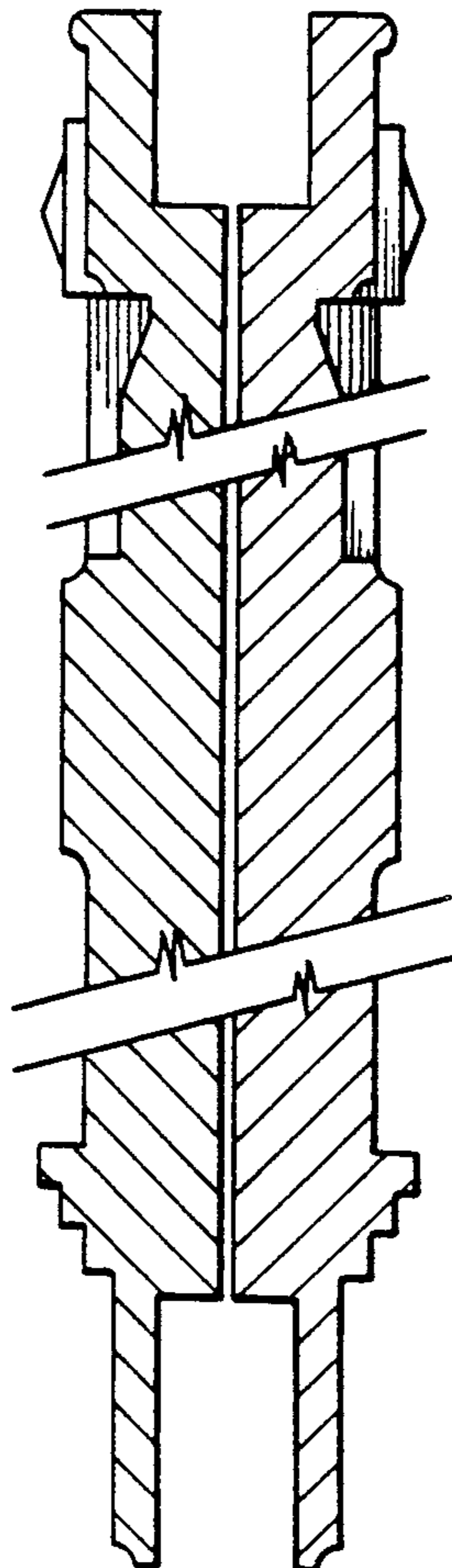


FIG. 8