

[54] **COMBINED EMERGENCY MEDICAL COLLAR, STABILIZER AND HEAD IMMOBILIZER**

[75] Inventors: **Anthony Calabrese, Philadelphia; Sandy Sculli, Richboro, both of Pa.**

[73] Assignee: **Charles Greiner & Company, Inc., Westville, N.J.**

[\*\*] Term: **14 Years**

[21] Appl. No.: **169,808**

[22] Filed: **Mar. 18, 1988**

[52] U.S. Cl. .... **D24/64**

[58] Field of Search ..... **D24/64; 128/75, 76 R, 128/78, 84 C, 87 C, 84 R, DIG. 15, DIG. 23**

4,143,654	3/1979	Sherman	128/87 R
4,161,946	7/1979	Zuesse	128/75
4,202,327	5/1980	Glancy	128/78
4,207,881	6/1980	Richter	128/89 A
4,211,218	7/1980	Kendrick	128/87 R
4,219,193	8/1980	Newman	272/94
4,299,211	11/1981	Doynow	128/89 R
4,383,523	5/1983	Schurman	128/75
4,502,471	3/1985	Owens	128/75
4,515,153	5/1985	Calabrese	128/75
4,538,597	9/1985	Lerman	128/75
4,562,833	1/1986	Pujals, Jr.	128/75
4,582,051	4/1986	Greene et al.	128/76 R
4,589,407	5/1986	Koledin et al.	128/87 R
4,593,788	6/1986	Miller	182/3
4,594,999	6/1986	Nesbitt	128/87
4,620,530	11/1986	Lanier et al.	128/75
4,628,913	12/1986	Lerman	128/78
4,643,174	2/1987	Horiuchi	128/76 R
4,650,182	3/1987	Ross	272/95
4,657,003	4/1987	Wirtz	128/133
4,665,908	5/1987	Calkin	128/134
4,677,969	7/1987	Calabrese	128/75
4,732,144	3/1988	Cunanan	128/75 X

[56] **References Cited**  
**U.S. PATENT DOCUMENTS**

D. 95,729	2/1935	Brown	D24/64
D. 209,116	10/1967	Treutelaar	D83/1
D. 213,742	4/1969	Bond	D83/1
D. 228,964	10/1973	Sarnoff	D83/1 K
D. 278,747	5/1985	Peach, Jr.	D24/64
D. 289,085	3/1987	Nesbitt	D24/64
106,091	8/1870	Stowe	128/89
1,301,276	4/1919	Kroetz	.
2,151,458	3/1939	Allen	128/87
2,325,300	7/1943	Bisnoff	128/87
2,556,793	6/1951	Brown	128/164
2,672,146	3/1954	Touson	128/303
2,692,595	10/1954	Blair, Jr.	128/87
2,740,399	4/1956	Judovich	128/75
2,818,063	12/1957	Smith et al.	128/87
2,827,896	3/1958	Ward	128/75
3,042,027	7/1962	Monfardini	128/75
3,156,239	11/1962	Uribe	128/75
3,189,917	2/1962	Sims	2/3
3,313,297	4/1967	Applegate et al.	128/75
3,504,667	4/1970	McFarlane	128/75
3,540,439	11/1970	Gaylord	128/75
3,724,453	4/1973	Dixon et al.	128/87 R
3,756,226	9/1973	Calabrese et al.	128/75
3,759,256	9/1973	O'Malley	128/89 A
3,779,549	12/1973	MacNeil	273/1 B
3,818,509	6/1974	Romo et al.	2/3 R
3,819,796	6/1974	Webster	264/321
3,957,040	5/1976	Calabrese	128/75
4,141,368	2/1979	Meyer	128/87 B

**OTHER PUBLICATIONS**

*Orthopaedic Appliances Atlas*, p. 240, FIGS. 296, 297, 1952.

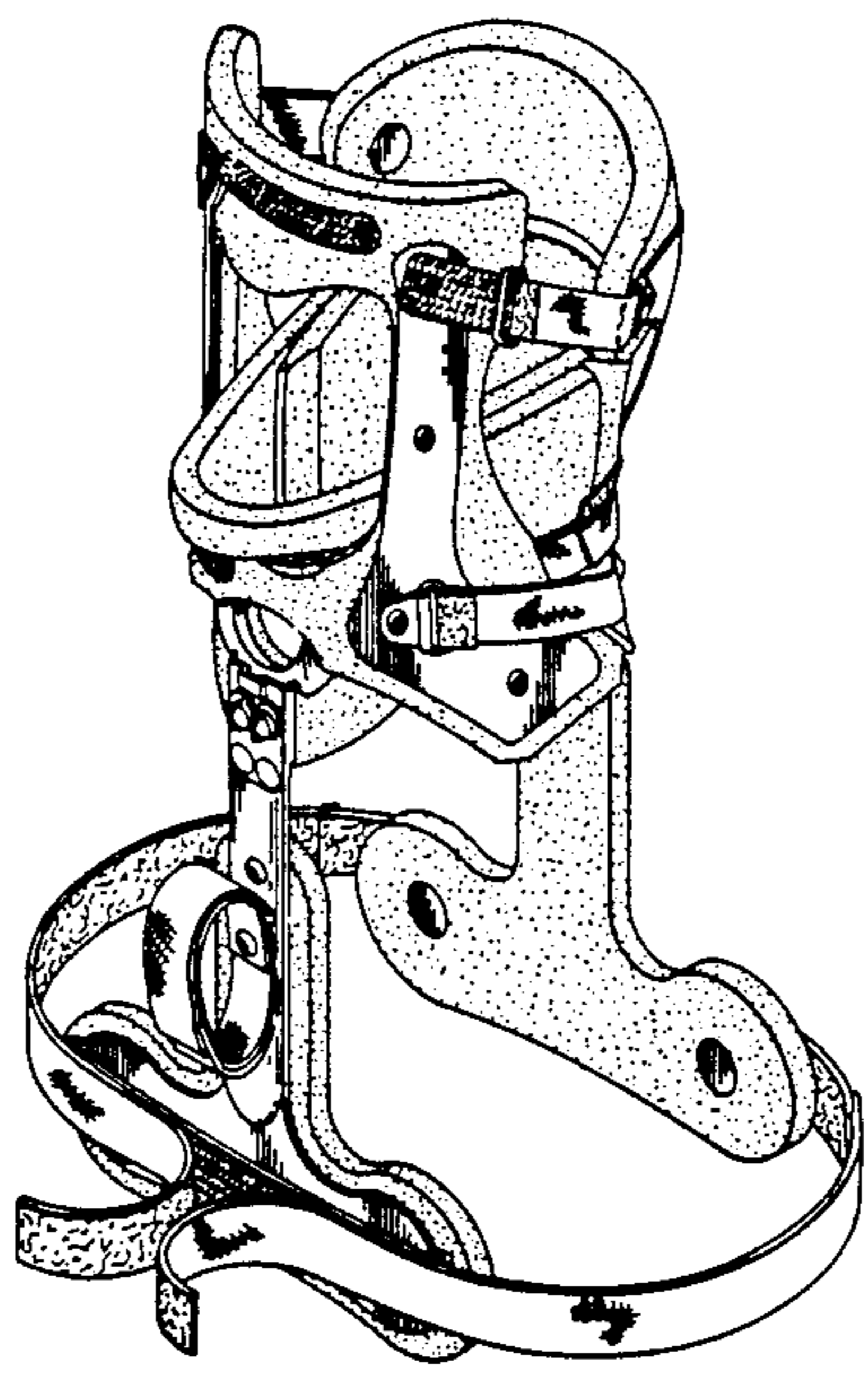
*Primary Examiner*—Stella Reid  
*Attorney, Agent, or Firm*—Panitch, Schwarze, Jacobs & Nadel

[57] **CLAIM**

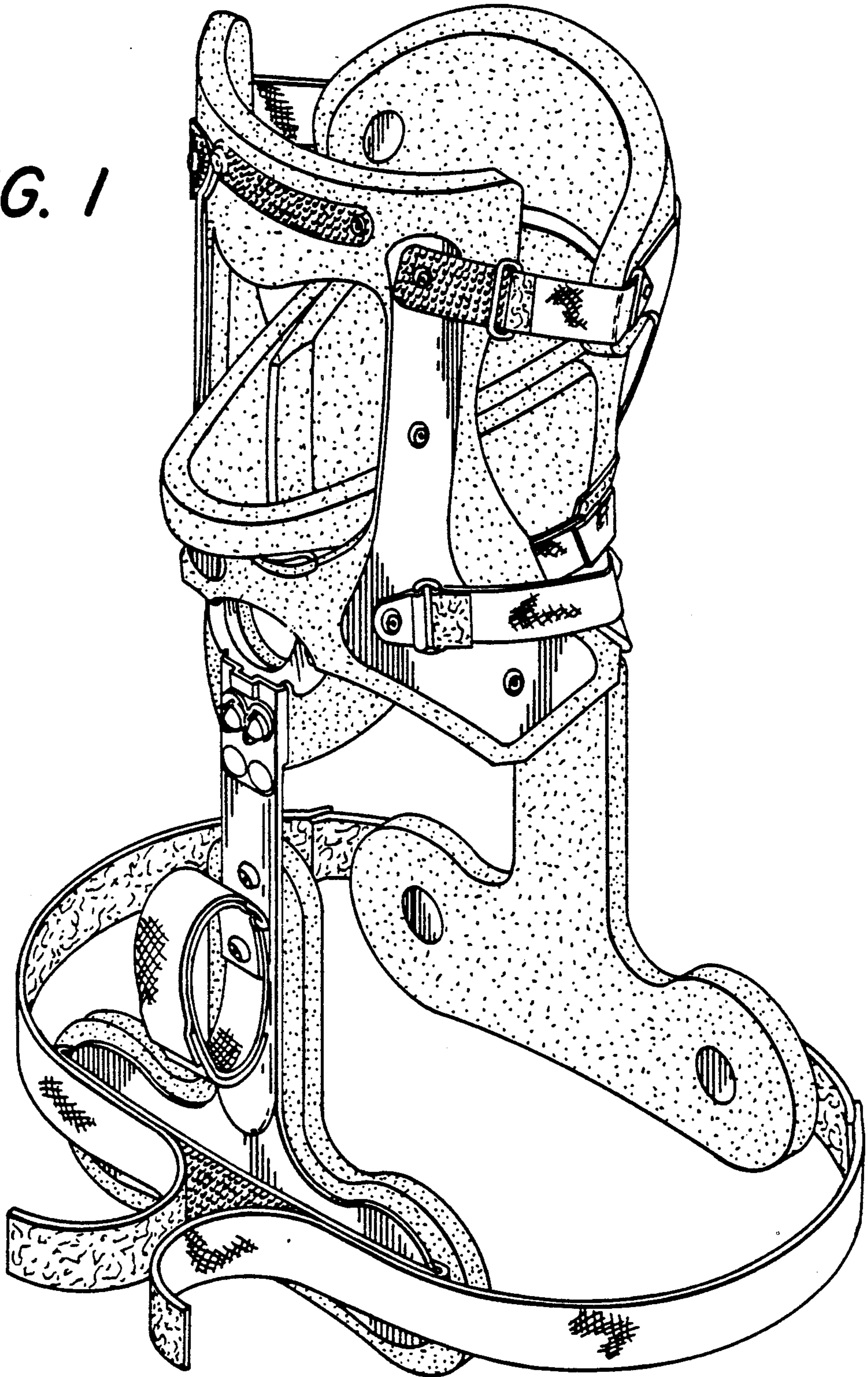
The ornamental design for a combined emergency medical collar, stabilizer and head immobilizer, as shown and described.

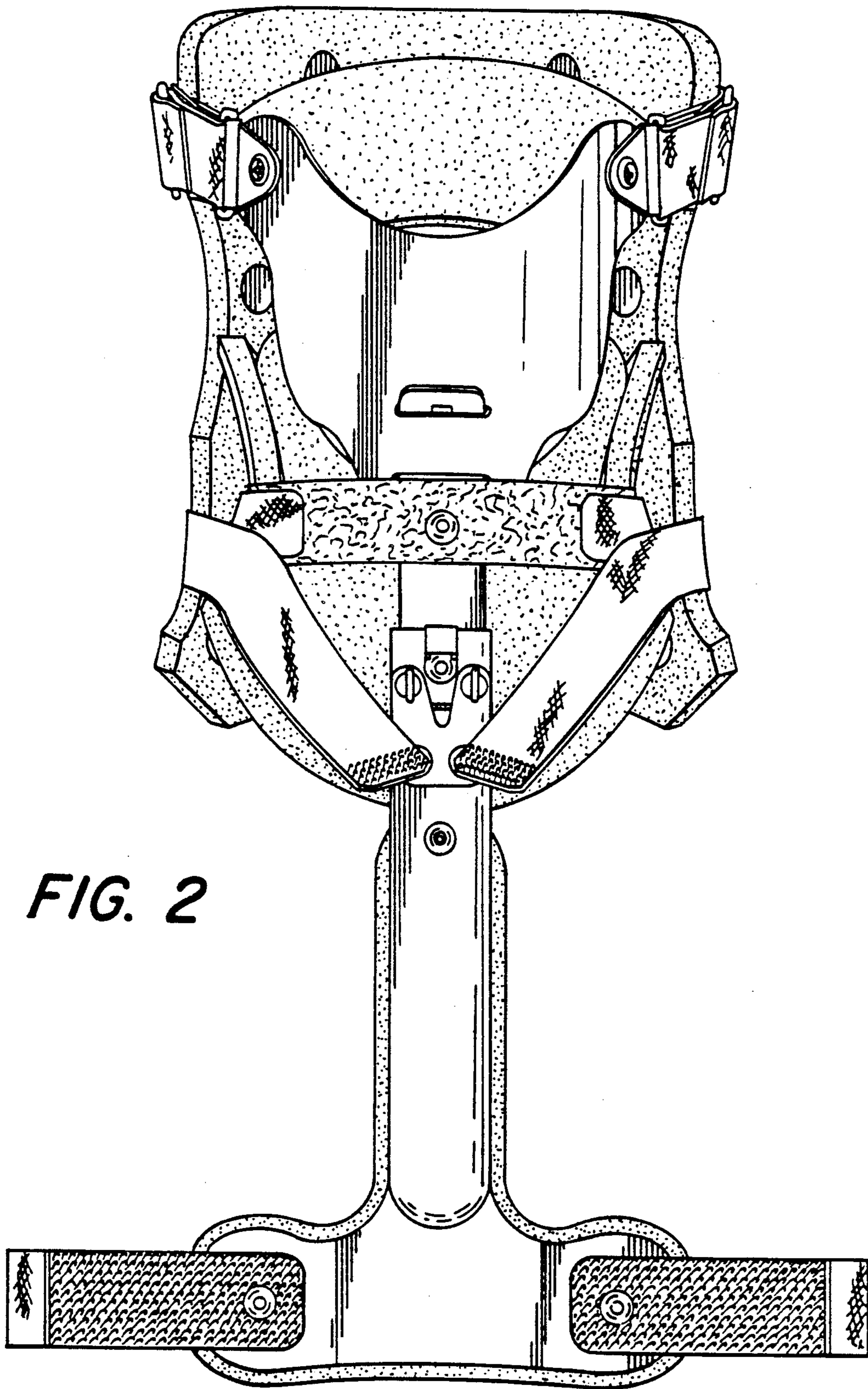
**DESCRIPTION**

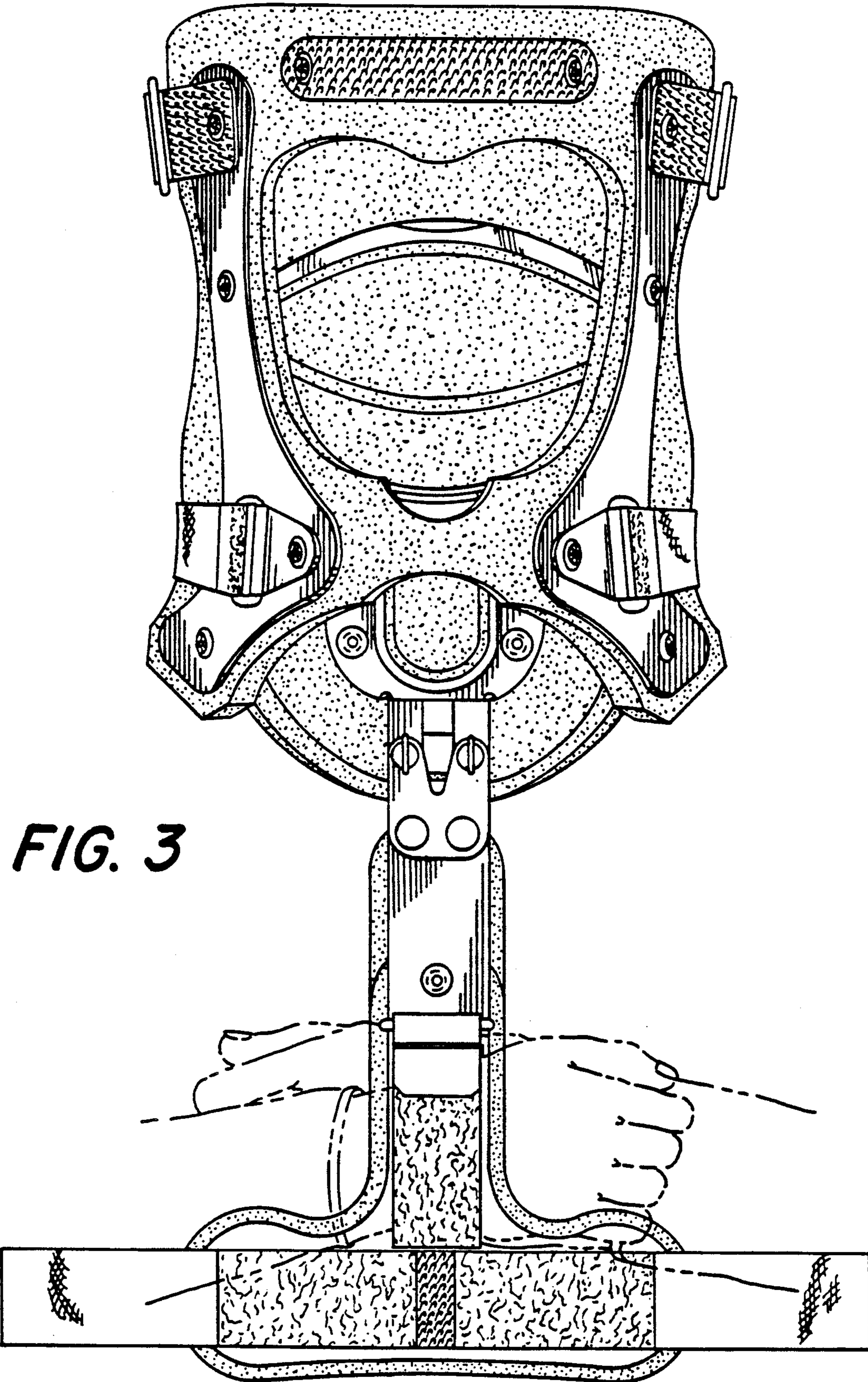
FIG. 1 is an isometric view of a combined emergency medical collar, stabilizer and head immobilizer, showing our new design;  
 FIG. 2 is a rear elevational view thereof;  
 FIG. 3 is a front elevational view thereof;  
 FIG. 4 is a right side elevational view thereof;  
 FIG. 5 is a top plan view thereof; and  
 FIG. 6 is a bottom plan view thereof.  
 The cross-line pattern which is partially shown on the straps for ease of illustration is intended to represent a conventional fabric.



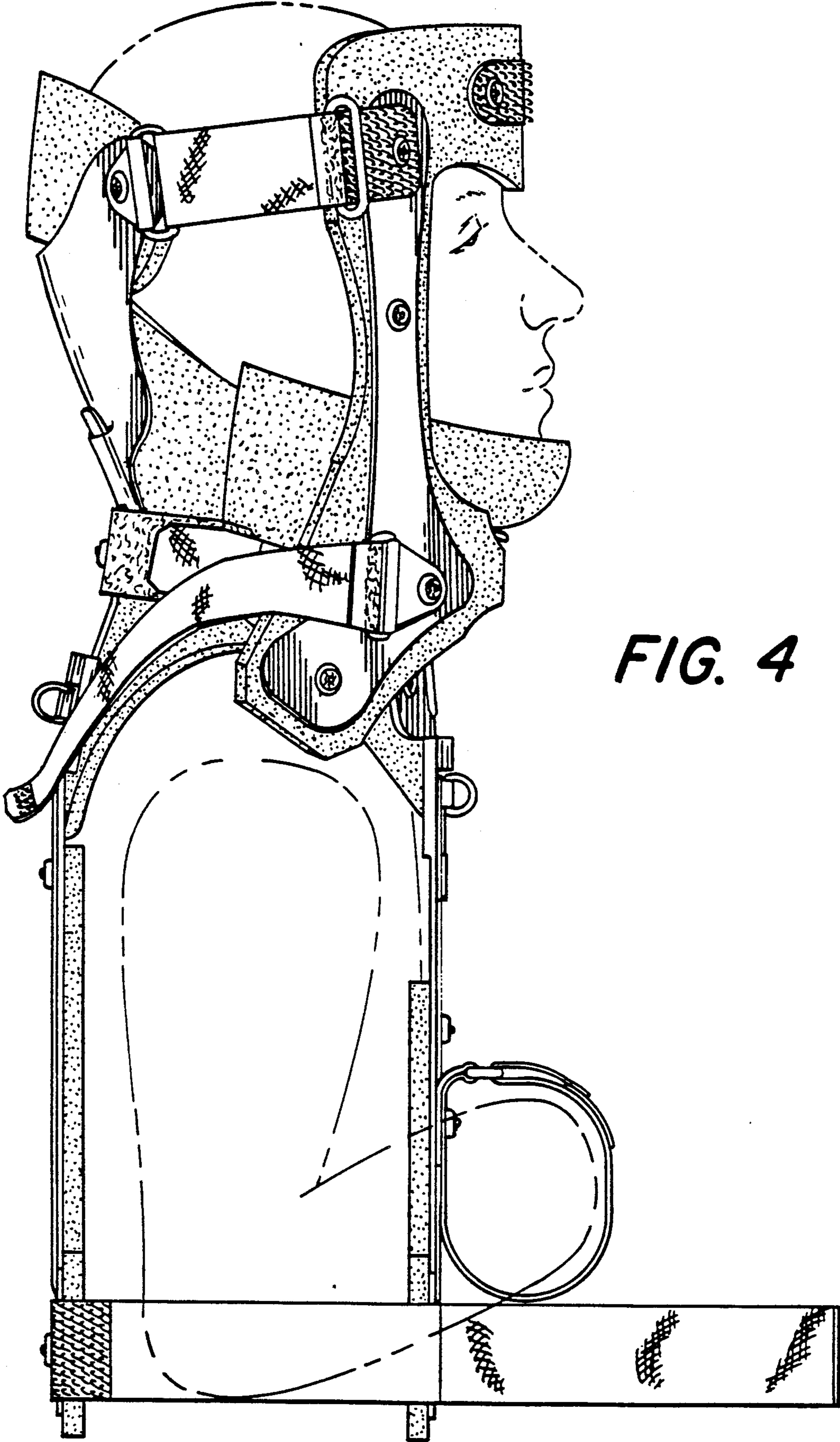
*FIG. 1*







**FIG. 3**



*FIG. 4*

*FIG. 5*

