

[54] AXIAL AIR BLOWER

[76] Inventors: Allan E. Beavers, 638 S. Surrey Ct., Grand Junction, Colo. 81501; Robert A. Fulcher, 3229 N. Ridge Dr., Grand Junction, Colo. 81506

[\*\*] Term: 14 Years

[21] Appl. No.: 371,708

[22] Filed: Jun. 26, 1989

[52] U.S. Cl. .... D23/383

[58] Field of Search ..... D23/370, 383, 382; 415/119, 182.1, 220, 213.1; 416/247 R, 63

[56] References Cited

U.S. PATENT DOCUMENTS

|            |        |          |       |         |
|------------|--------|----------|-------|---------|
| D. 255,488 | 6/1980 | Kanarek  | ..... | D23/370 |
| D. 255,489 | 6/1980 | Kanarak  | ..... | D23/383 |
| D. 291,243 | 8/1987 | Beavers  | ..... | D23/383 |
| D. 297,761 | 9/1988 | Shiraki  | ..... | D23/370 |
| 1,843,786  | 2/1932 | Robinson | ..... | 415/119 |

OTHER PUBLICATIONS

Domestic Engineering, Nov. 1962, p. 174, Portable Blower Heater, top right side of page.  
AIA Journal—Mid May 1981, p. 90, Joy Axial Fan.  
Coppus Engineering Corp. Cat. ©1985, p. 30, PR-24, Pump Room Ventilator, bottom right side of page, p. 32, Double-Duty Heat Killer, bottom middle of page, and p. 34, Coppus Man-Fan, top left side of page.

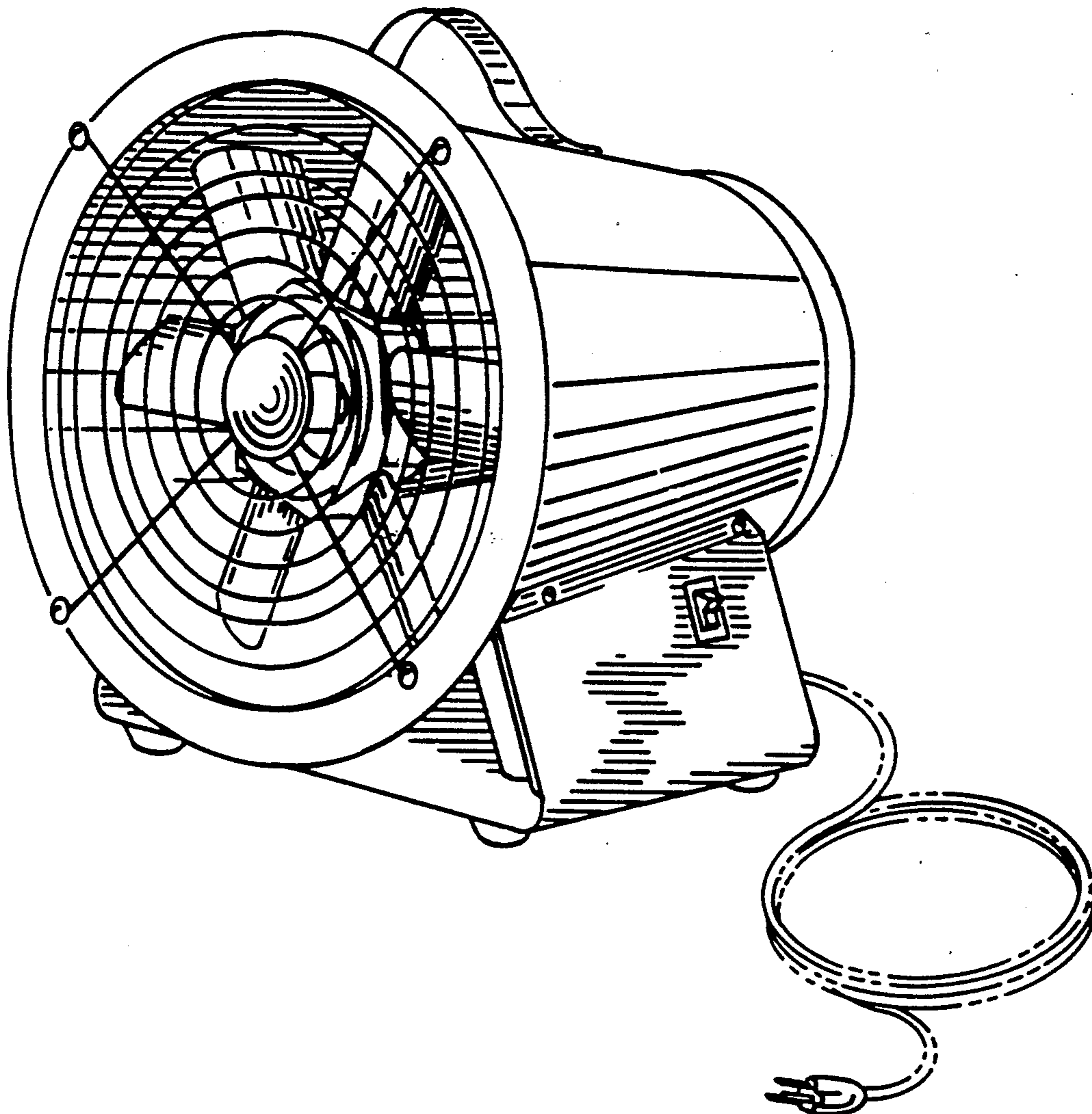
Primary Examiner—James M. Gandy  
Assistant Examiner—Lisa Lichtenstein  
Attorney, Agent, or Firm—Donald W. Erickson

[57] CLAIM

The ornamental design for an axial air blower, as shown.

DESCRIPTION

FIG. 1 is a perspective view of an axial air blower showing our new design;  
FIG. 2 is a left side elevation view thereof;  
FIG. 3 is a front elevation view thereof;  
FIG. 4 is a bottom plan view thereof; and  
FIG. 5 is a rear elevation view thereof.  
The broken-line showing of an electrical cord in FIGS. 1-5, is for illustrative purposes only and forms no part of the claimed design.



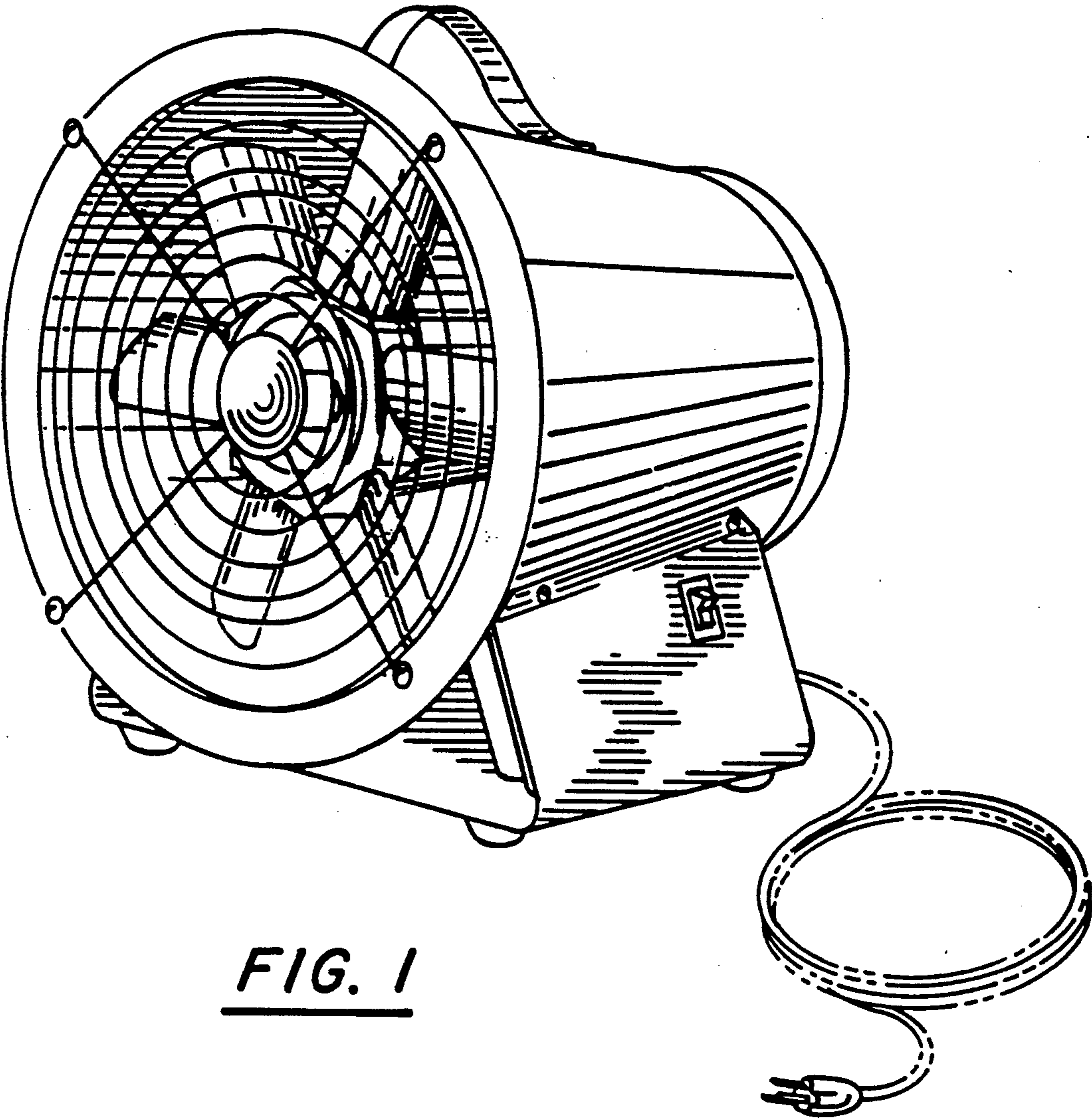


FIG. 1

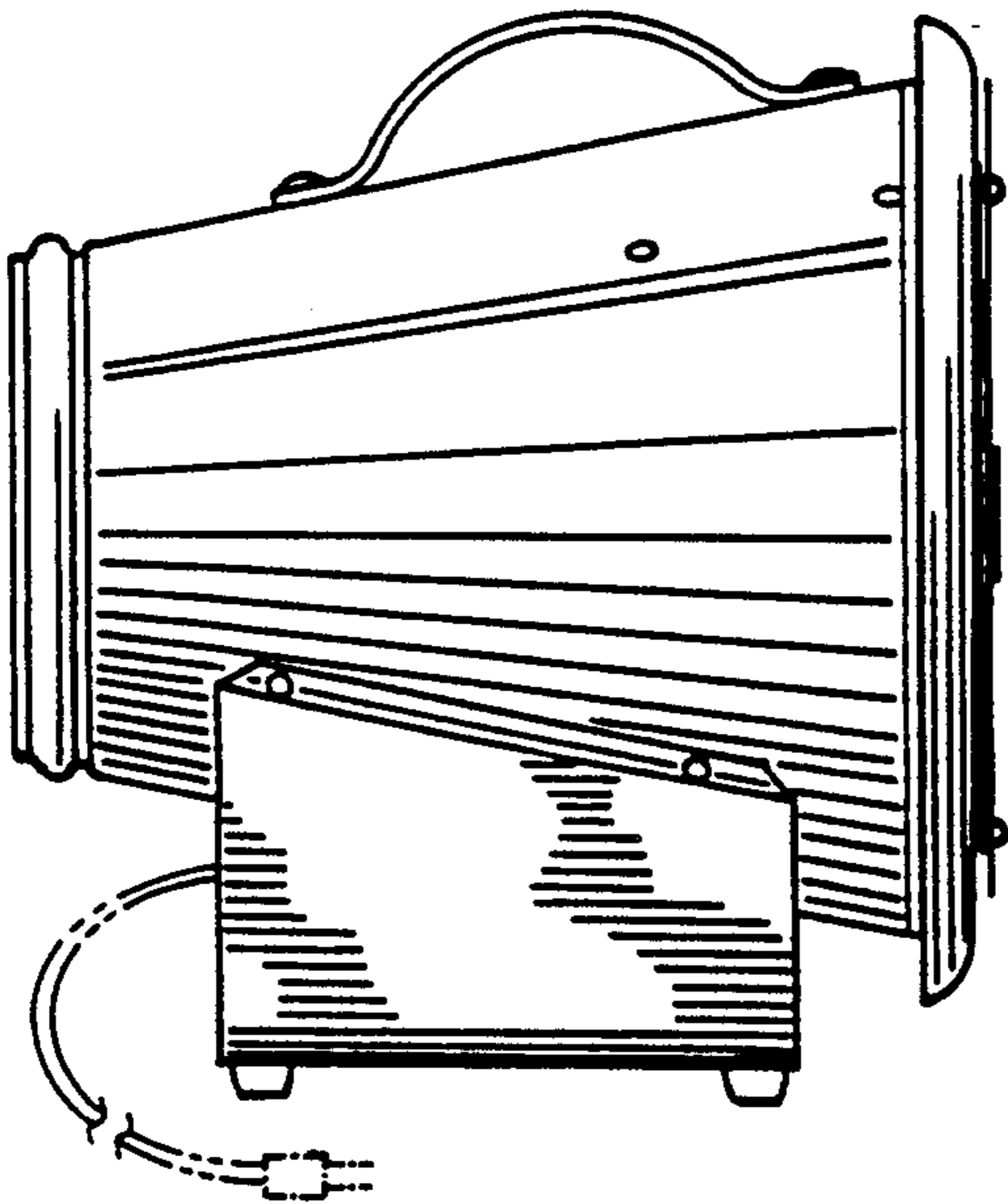


FIG. 2

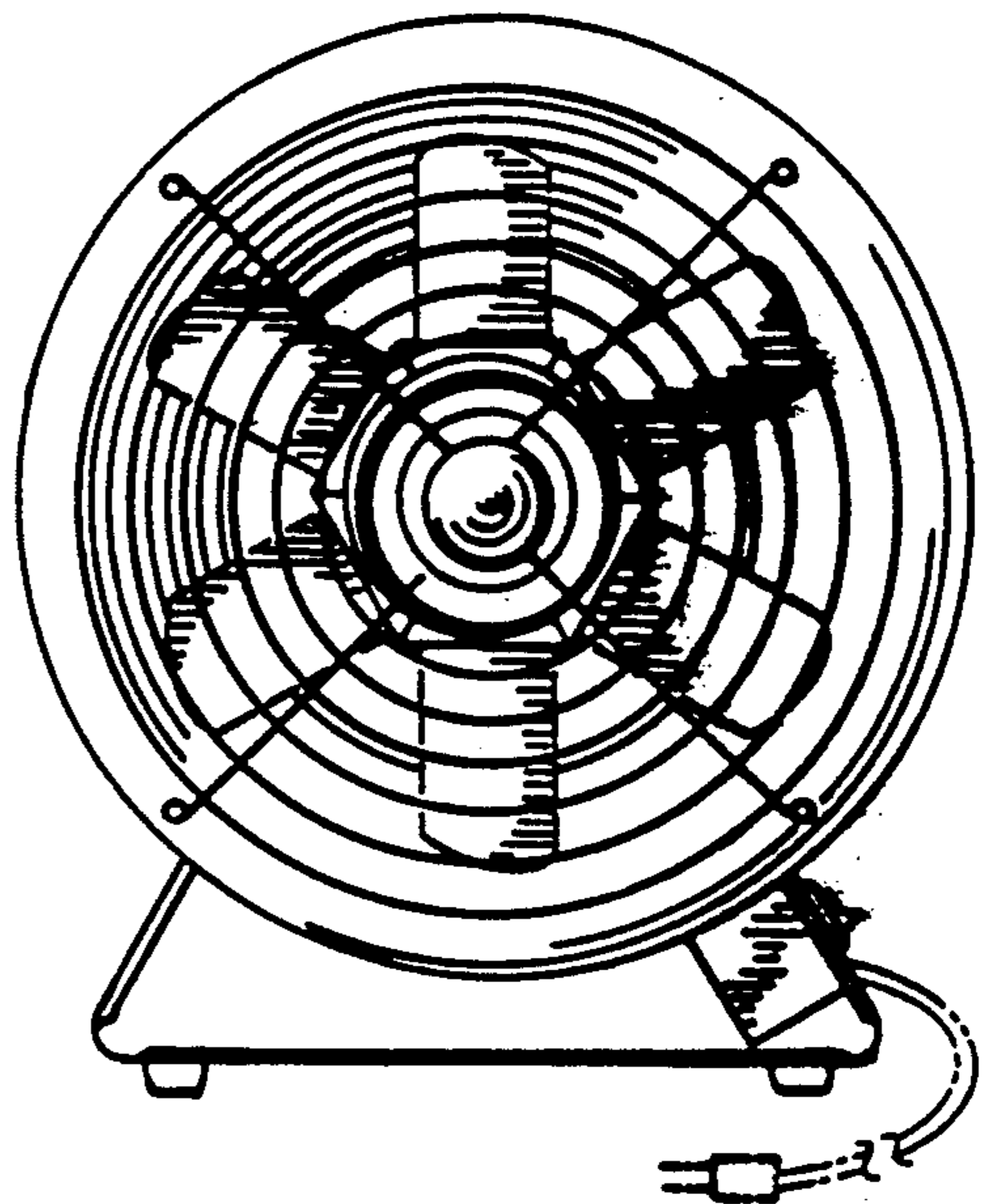


FIG. 3

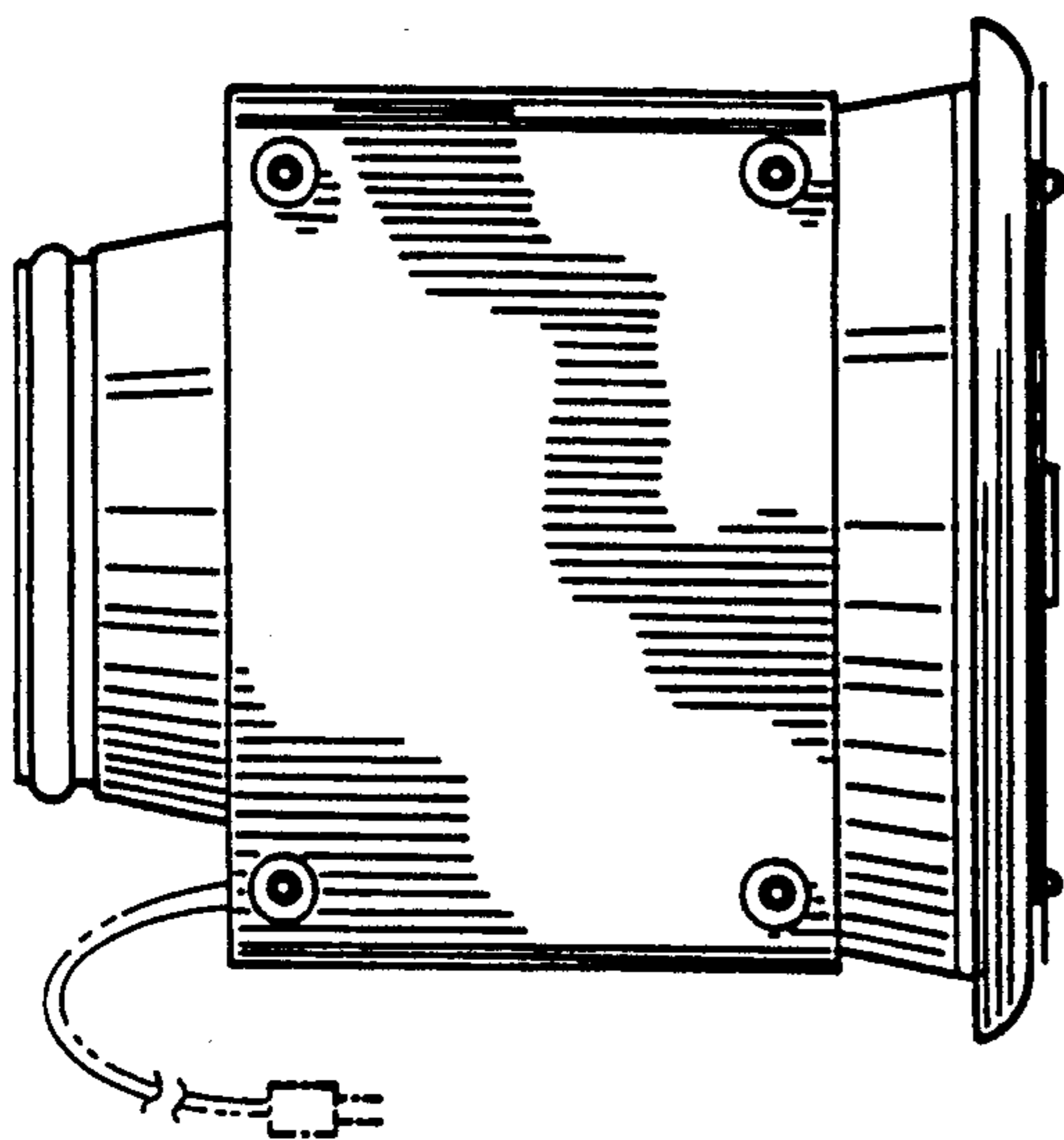


FIG. 4

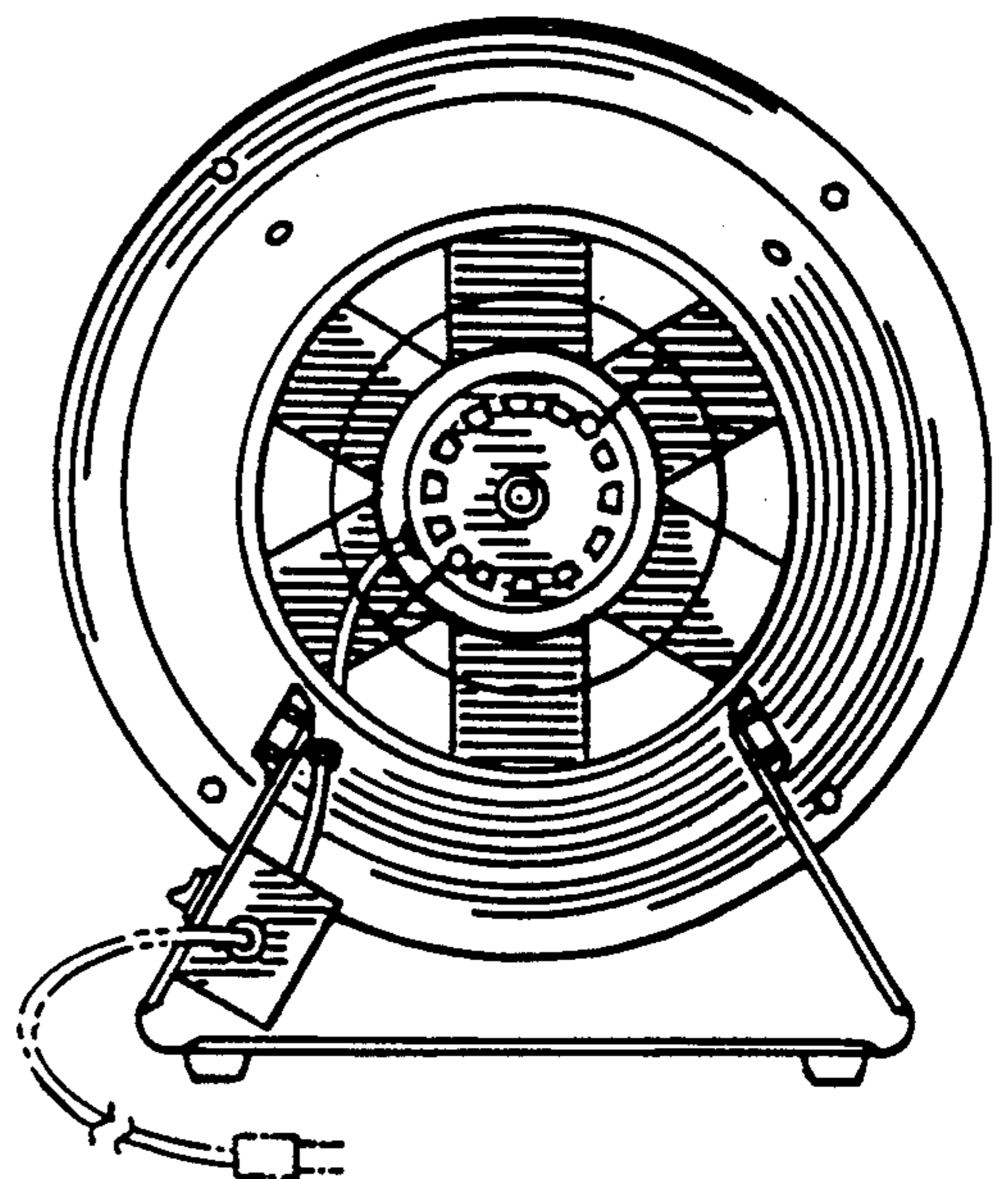


FIG. 5