

[54] COMBINED PORTABLE FAN AND LIGHT

D. 297,858 9/1988 Chang D23/370

[75] Inventor: John S. Yuen, Kowloon, Hong Kong

Primary Examiner—Susan J. Lucas
Attorney, Agent, or Firm—Fay, Sharpe, Beall, Fagan,
Minnich & McKee

[73] Assignee: John Manufacturing Limited,
Kowloon, Hong Kong

[**] Term: 14 Years

[57] CLAIM

The ornamental design for a combined portable fan and light, as shown and described.

[21] Appl. No.: 41,761

DESCRIPTION

[22] Filed: Apr. 21, 1987

[30] Foreign Application Priority Data

Nov. 18, 1986 [GB] United Kingdom 1038140

[52] U.S. Cl. D23/370; D26/38

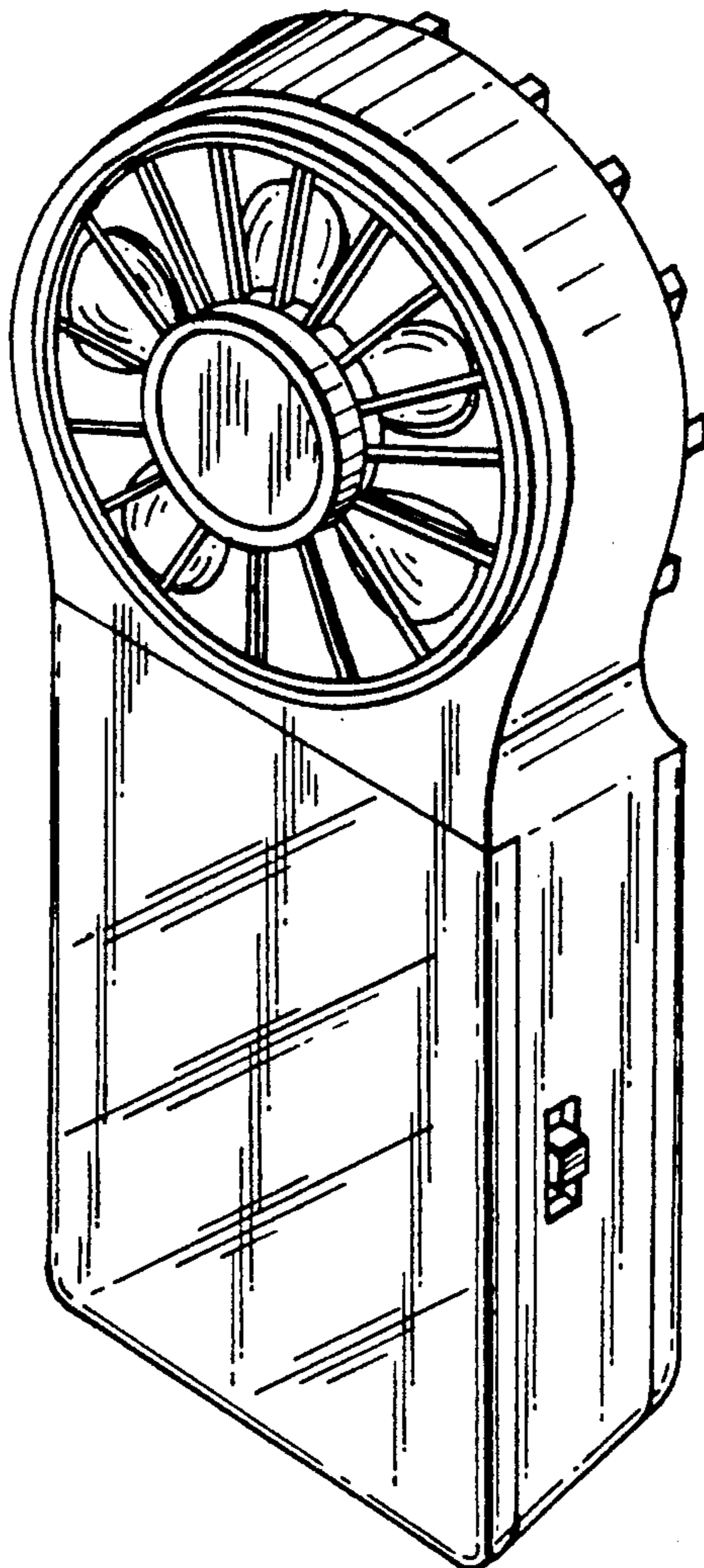
[58] Field of Search D26/37-50;
362/157, 158, 183-208; D23/370; 415/126;
416/63, 244 R

FIG. 1 is a rear elevational view of a combined portable fan and light showing my new design;
FIG. 2 is a left side elevational view thereof;
FIG. 3 is a front elevational view thereof;
FIG. 4 is a right side elevational view thereof;
FIG. 5 is a top plan view thereof;
FIG. 6 is a bottom plan view thereof;
FIG. 7 is a bottom plan view thereof, with the brace in an open position; and
FIG. 8 is a top, front perspective view thereof.
The lower front panel in FIGS. 3 and 8 is shaded with oblique lines to indicate translucency.

[56] References Cited

U.S. PATENT DOCUMENTS

D. 293,714 1/1988 Jih D23/370



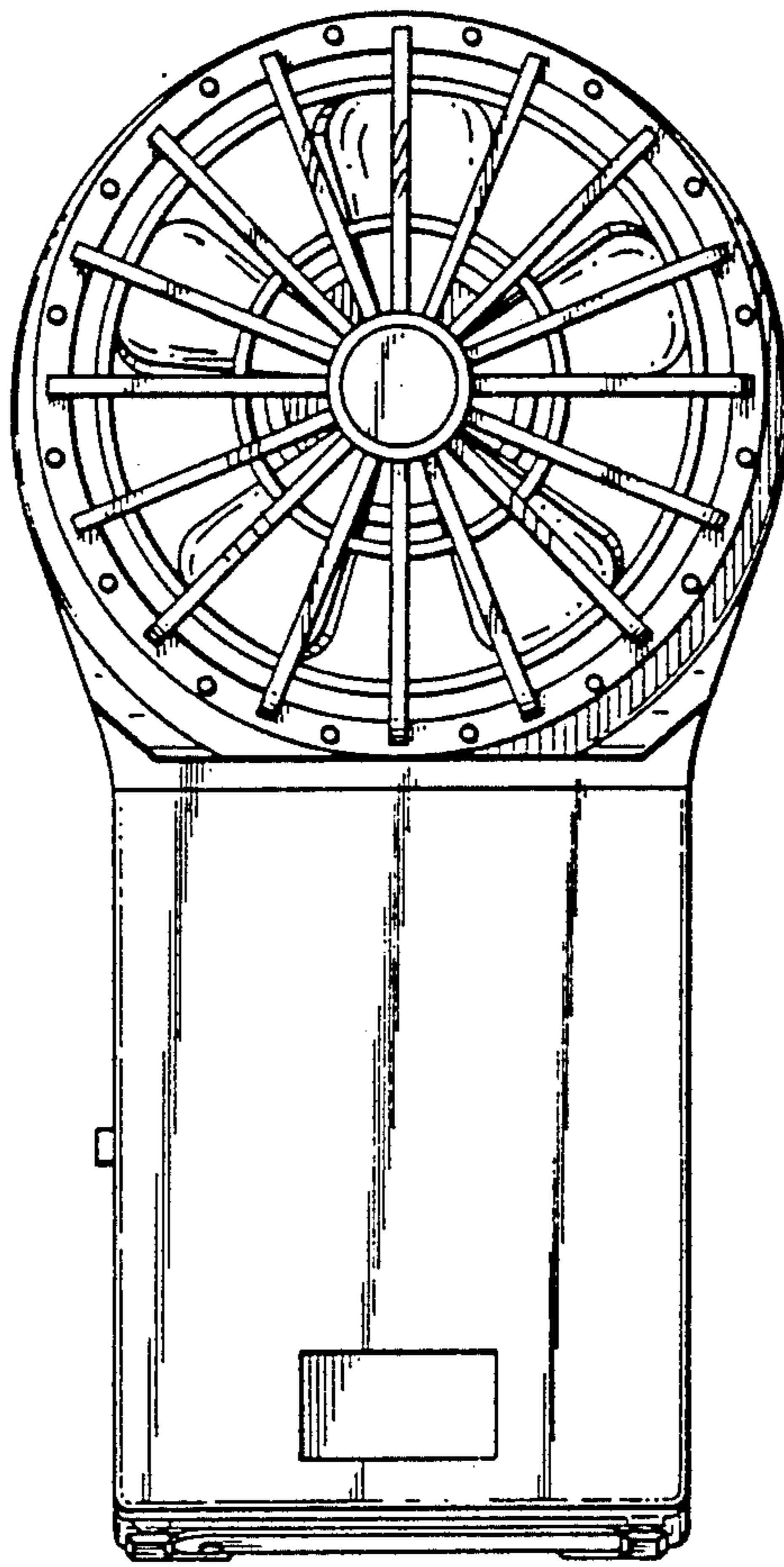


Fig. 1.

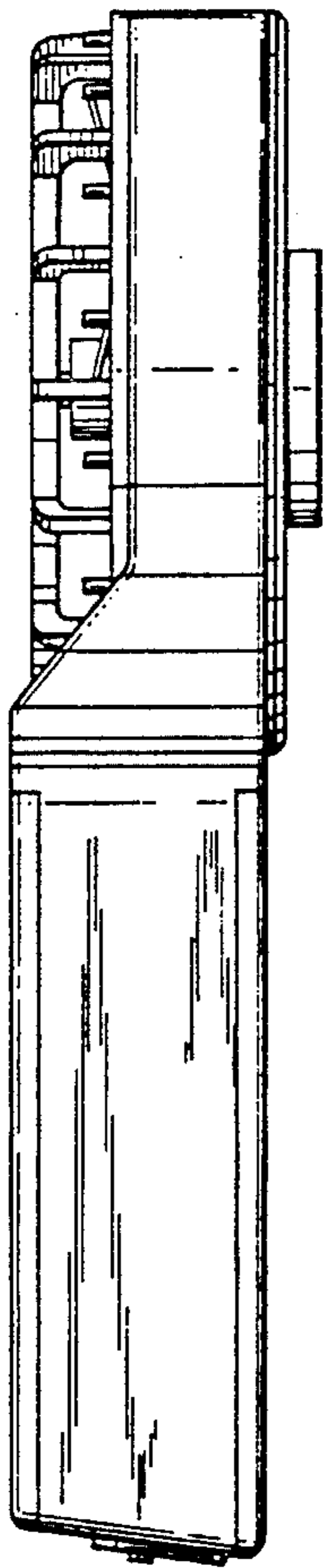


Fig. 2.

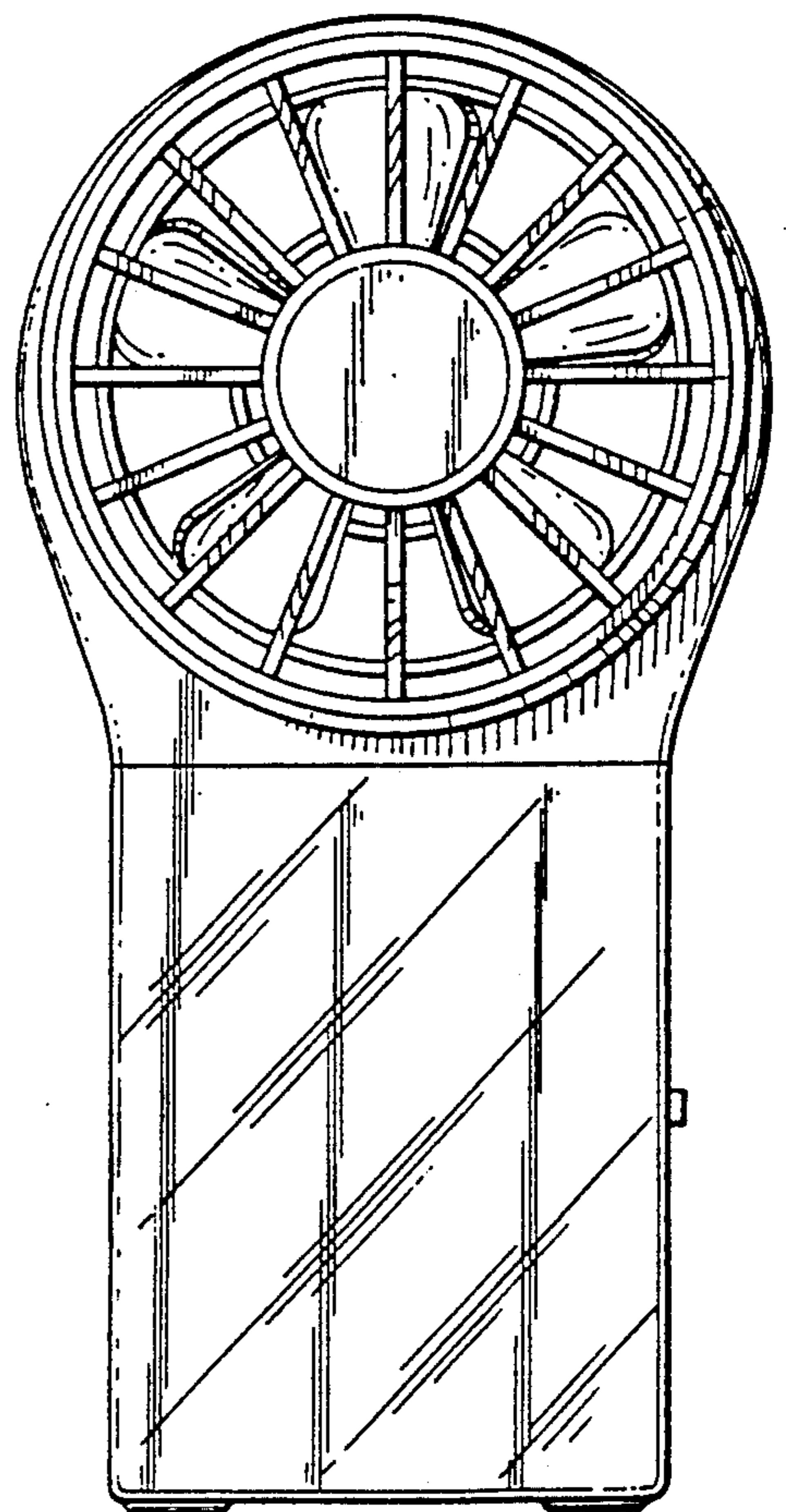


Fig. 3.

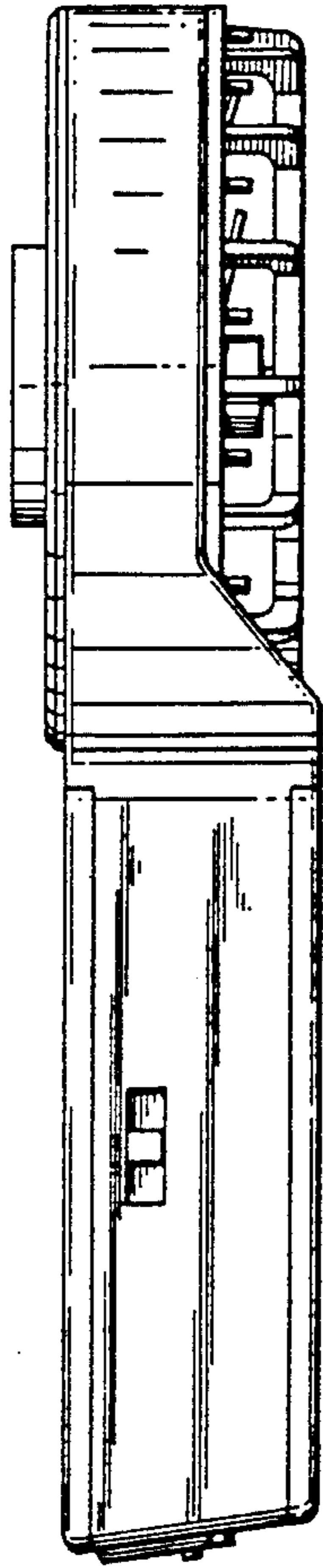


Fig. 4.

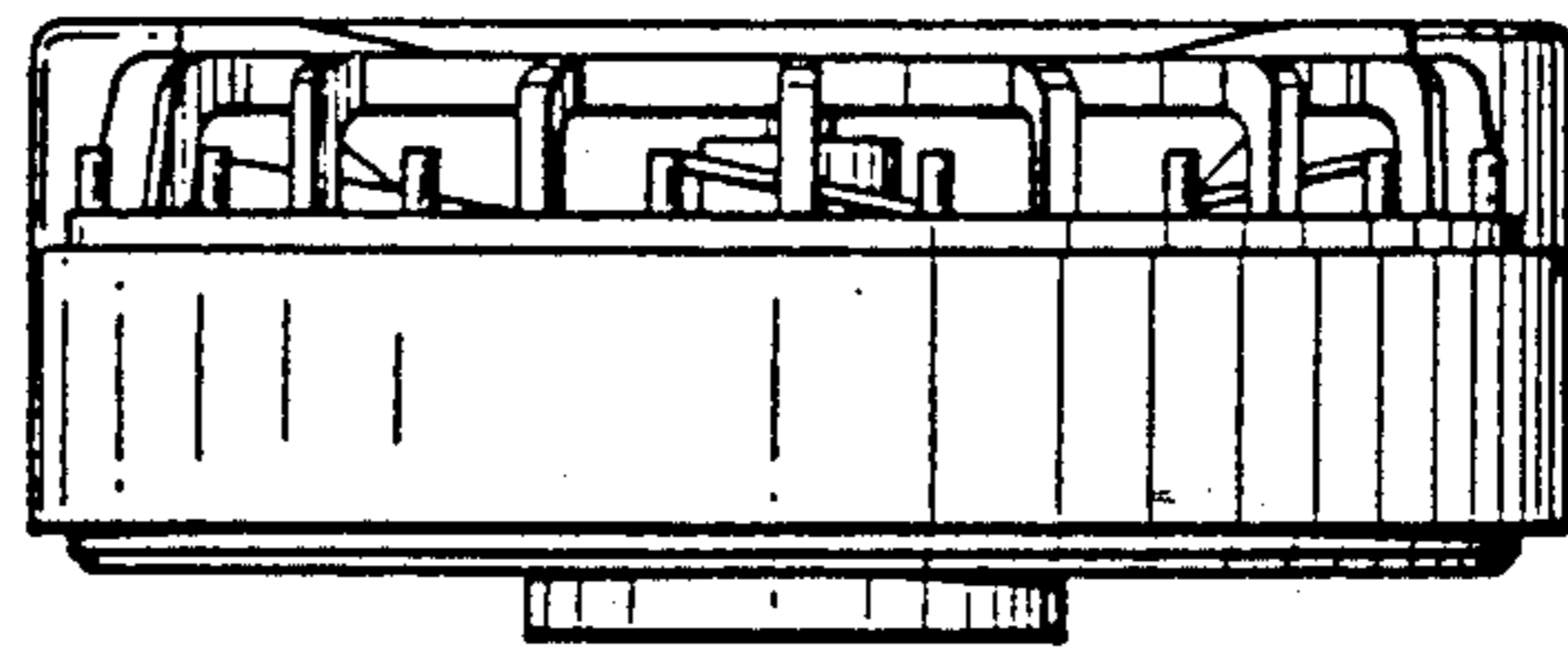


Fig. 5.

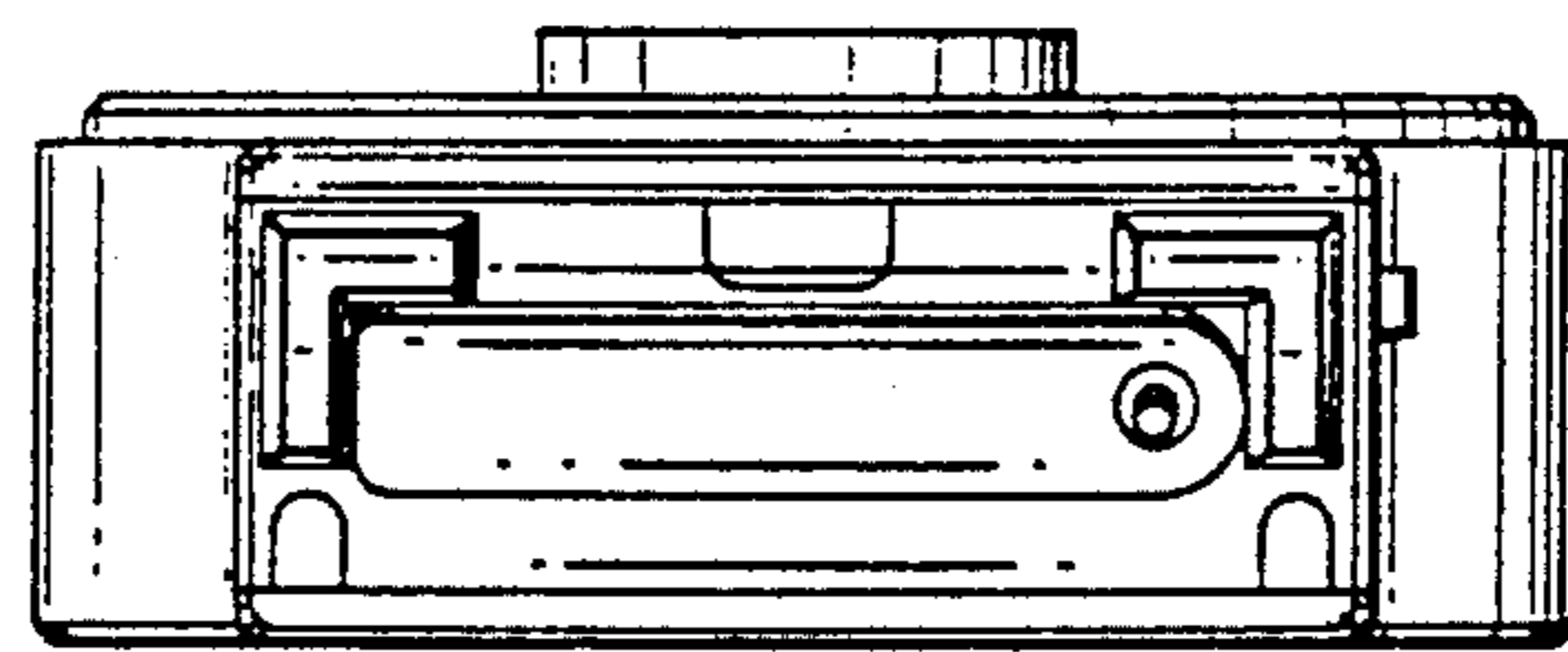


Fig. 6.

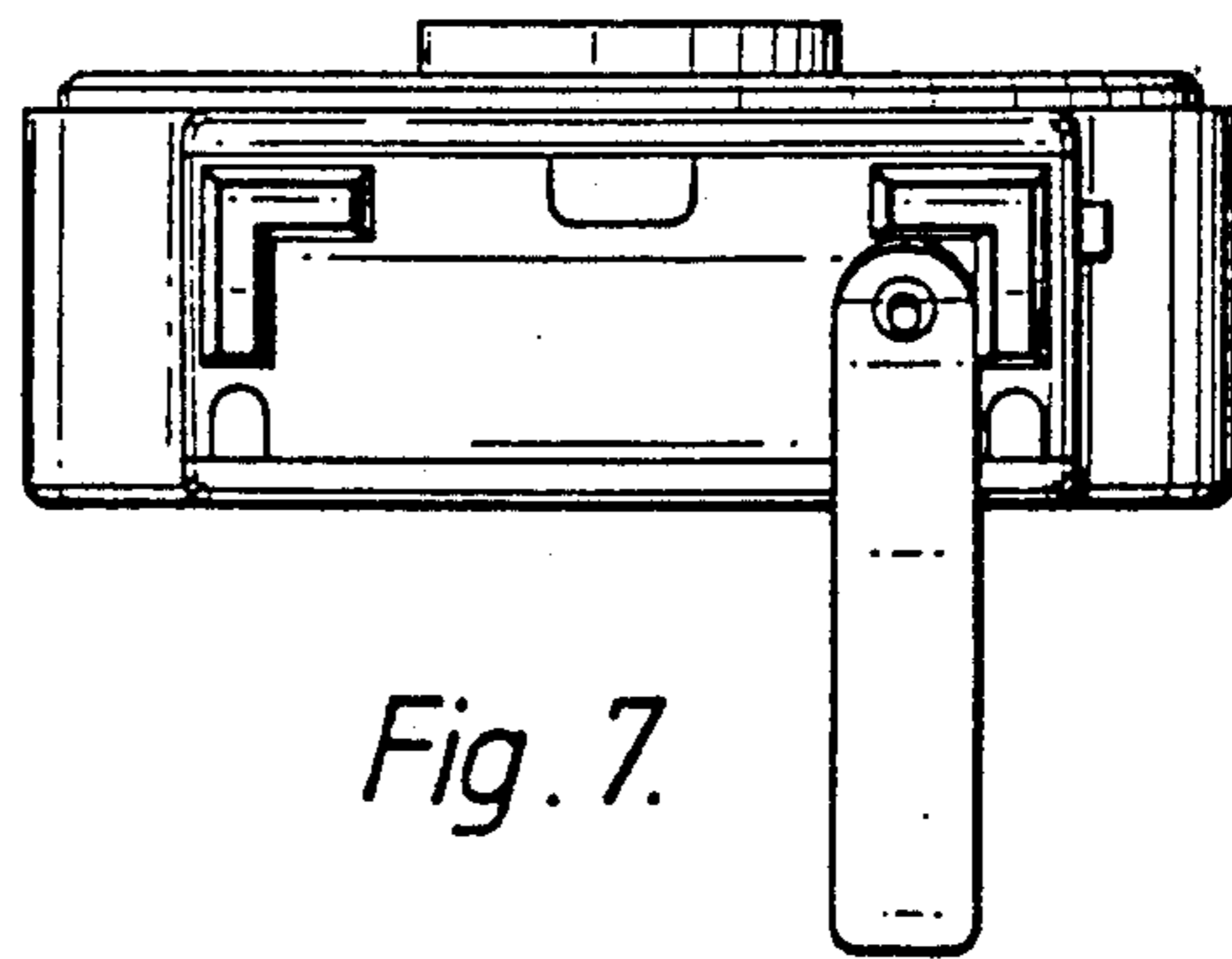


Fig. 7.

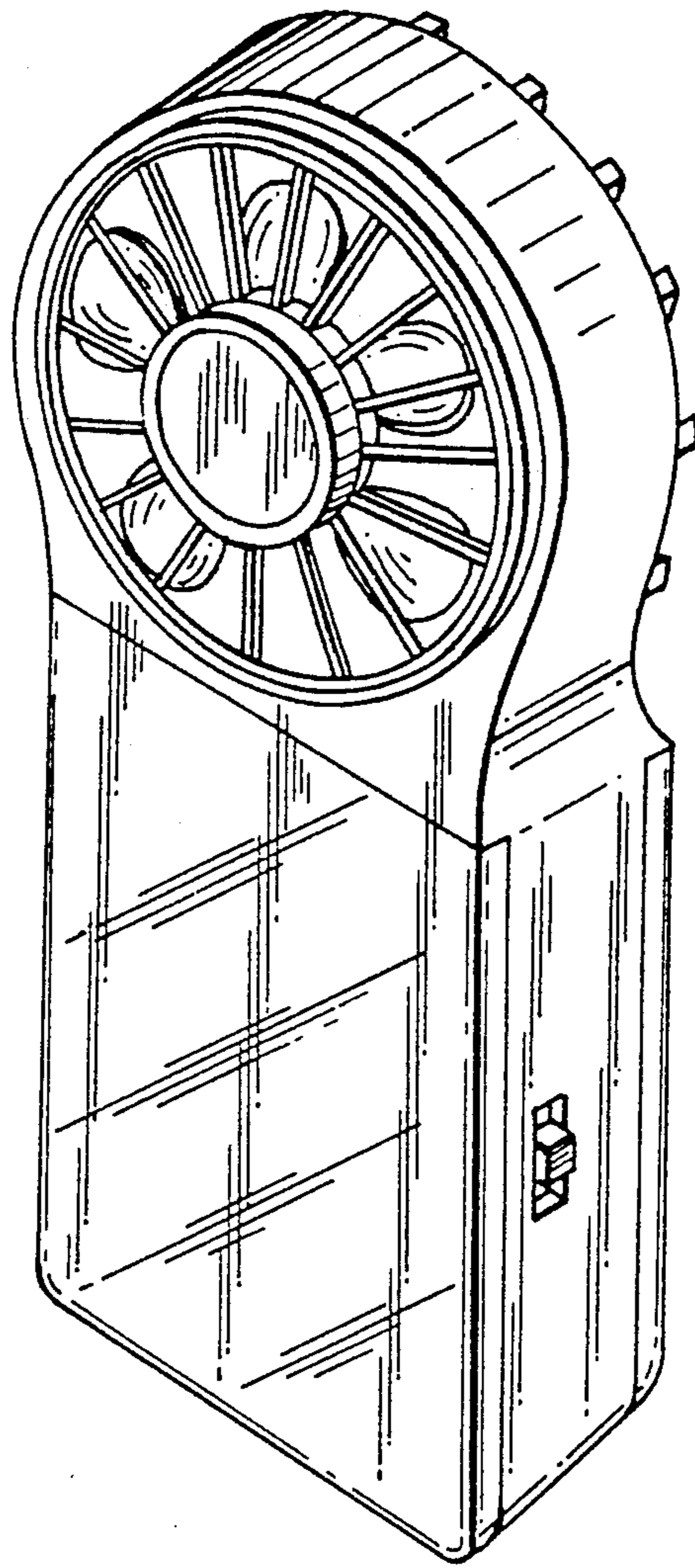


FIG. 8