

[54] **DISPOSABLE FILTER HOLDER**  
 [75] **Inventor: Kenneth V. Pepper, Plymouth, Wis.**  
 [73] **Assignee: Bemis Manufacturing Company, Sheboygan Falls, Wis.**  
 [\*\*] **Term: 14 Years**  
 [21] **Appl. No.: 96,143**  
 [22] **Filed: Sep. 11, 1987**

3,482,930 12/1969 Huber ..... 422/3  
 4,196,166 4/1980 Sanderson ..... 422/33  
 4,349,118 9/1982 Sanderson ..... 220/201  
 4,372,921 2/1983 Sanderson ..... 422/300  
 4,400,357 8/1983 Hohmann ..... 422/297  
 4,752,453 6/1988 Nichols ..... 422/300  
 4,783,321 11/1988 Spence ..... 422/300

*Primary Examiner*—James M. Gandy  
*Assistant Examiner*—Lisa Lichtenstein  
*Attorney, Agent, or Firm*—Michael, Best & Friedrich

**Related U.S. Application Data**

[63] Continuation-in-part of Ser. No. 51,362, May 19, 1987, abandoned.  
 [52] **U.S. Cl. .... D23/365**  
 [58] **Field of Search .... D23/365, 366; 55/503, 55/DIG. 31, 504; 422/300; 206/439; 239/57-60**

[57] **CLAIM**

The ornamental design for a disposable filter holder, as shown and described.

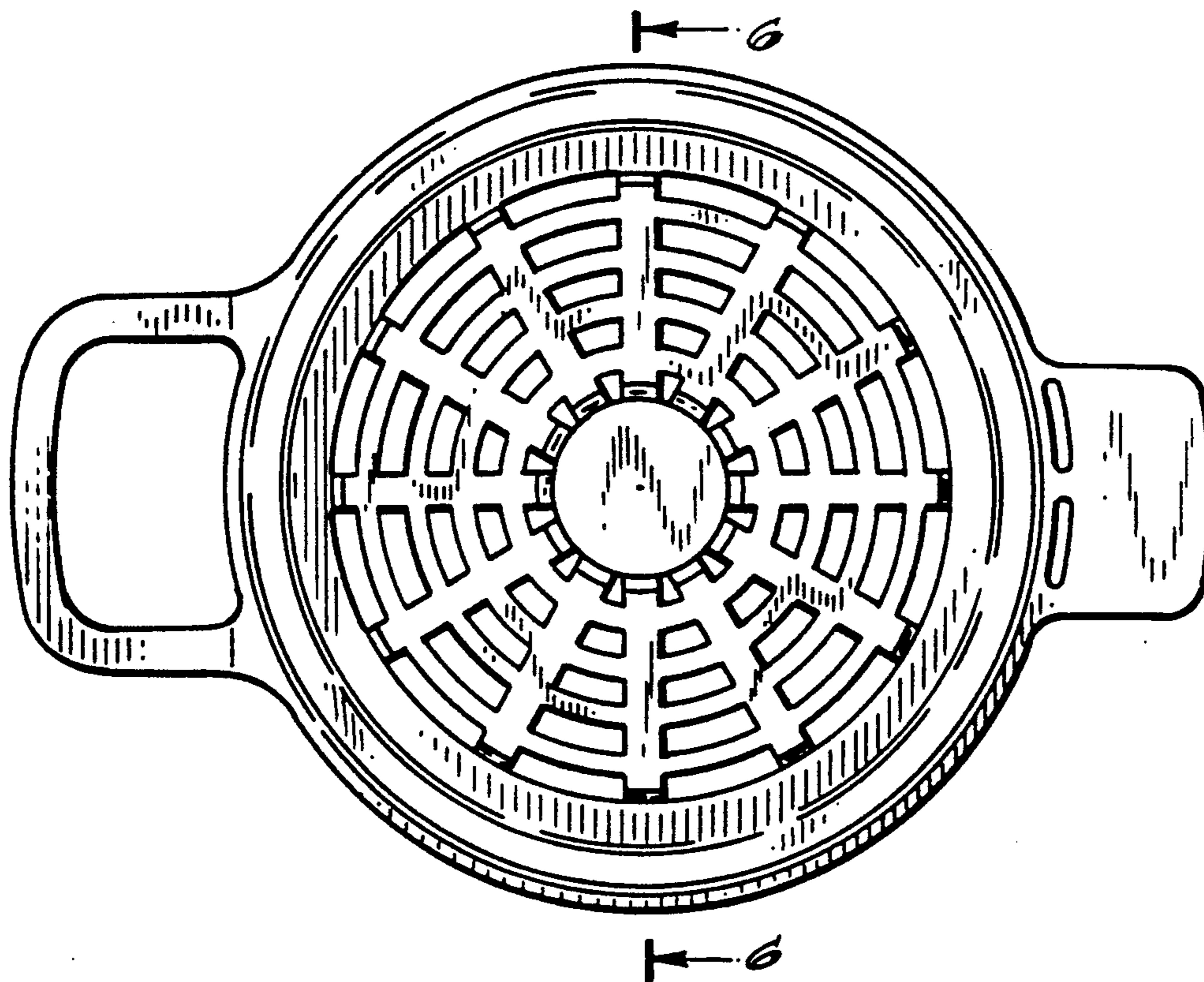
**DESCRIPTION**

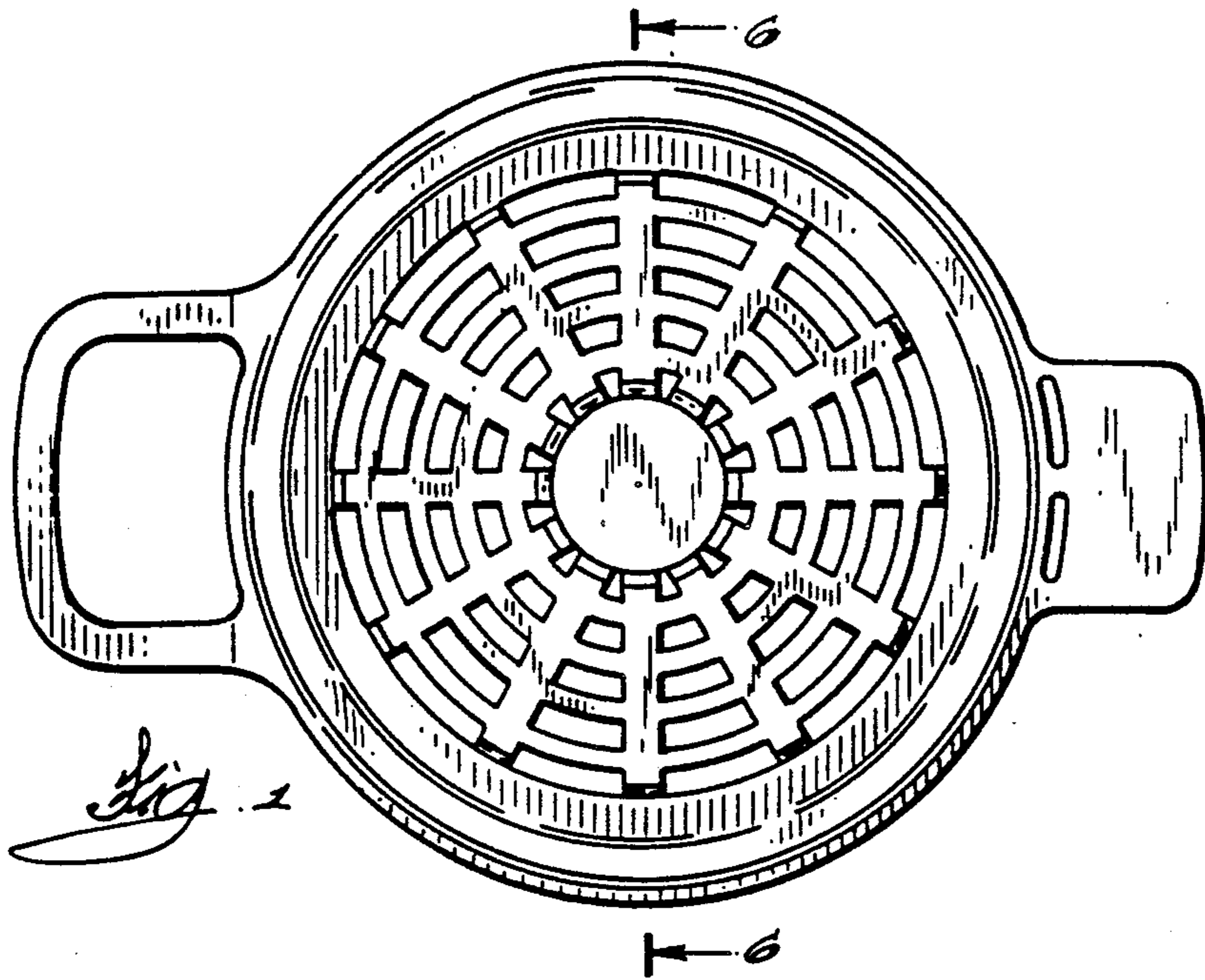
FIG. 1 is a top plan view of a disposable filter holder showing my new design;  
 FIG. 2 is a bottom plan view thereof;  
 FIG. 3 is a right side elevation view thereof;  
 FIG. 4 is a left side elevation view thereof;  
 FIG. 5 is an end elevation view thereof, the opposite end being substantially a mirror image of that shown; and  
 FIG. 6 is a cross-sectional view thereof taken along line 6—6 in FIG. 1.

[56] **References Cited**

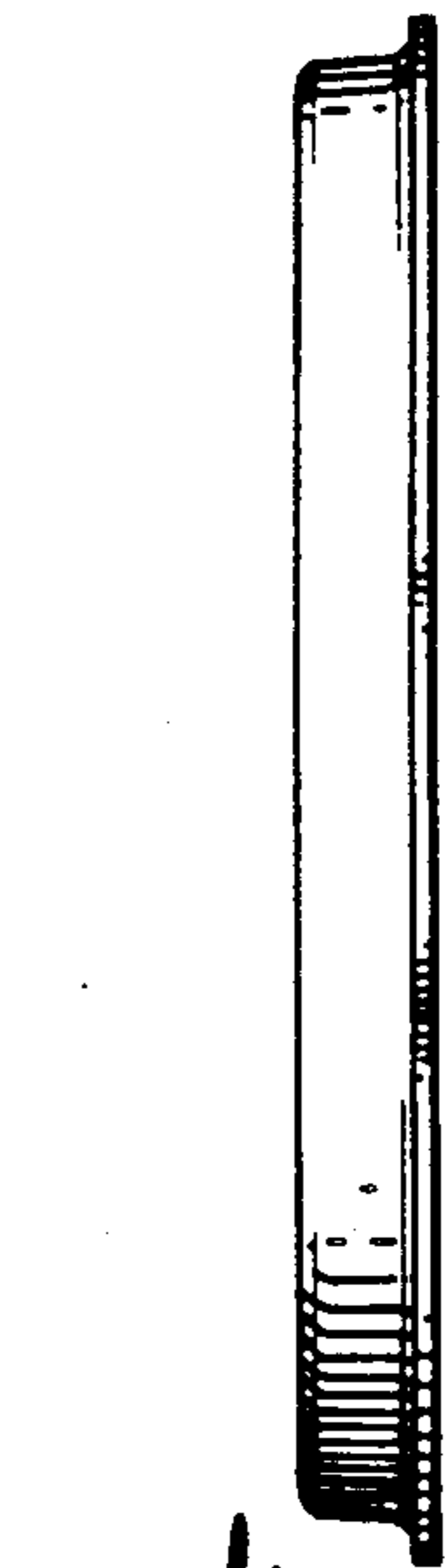
**U.S. PATENT DOCUMENTS**

D. 242,621 12/1976 Curran ..... D23/366  
 D. 269,294 6/1983 Rakocy et al. .... D23/365  
 D. 274,462 6/1984 Rakocy et al. .... D23/365  
 1,576,535 3/1926 Muir ..... 206/438





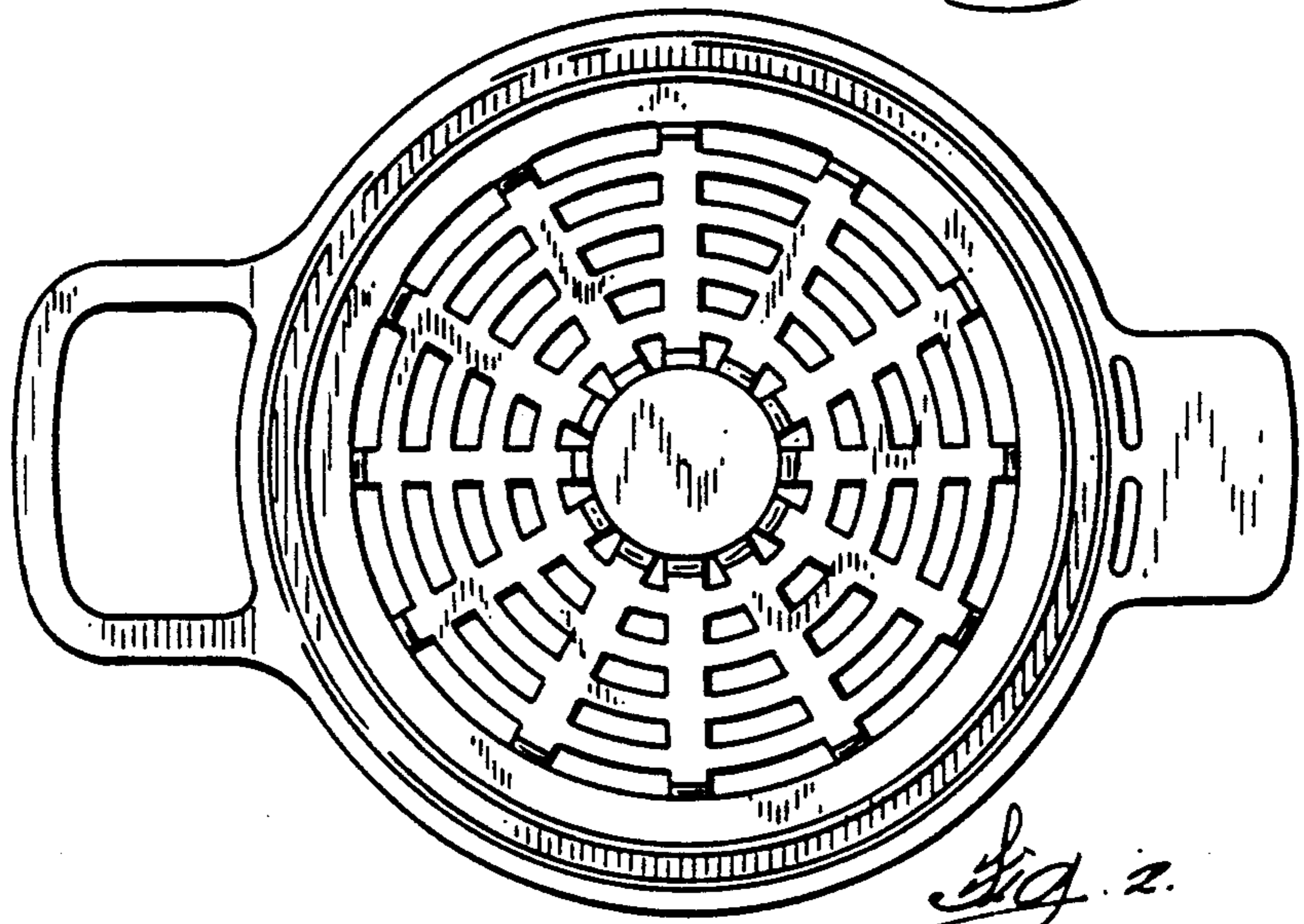
*Fig. 1*



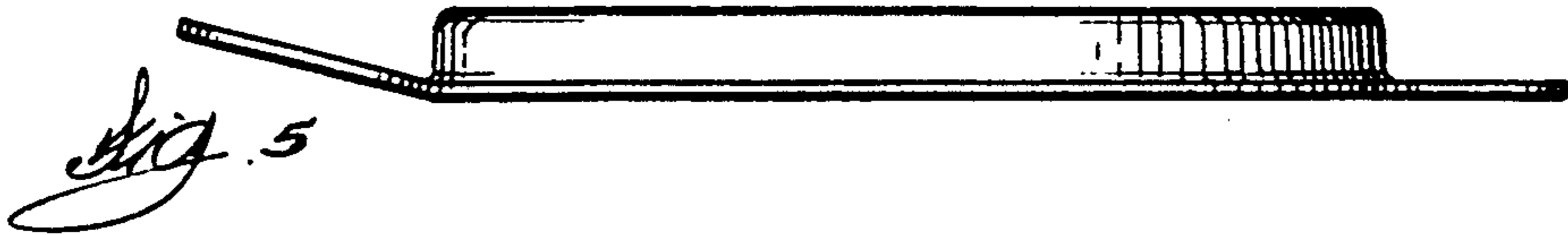
*Fig. 3*



*Fig. 4*



*Fig. 2*



*Fig. 5*



*Fig. 6*