

[54] **PORTABLE ELECTRIC HEATER**

[76] **Inventor: Michael W. Hetherington, R.R. #1,
Mount Albert, Ontario, Canada,
LOG 1M0**

[**] **Term: 14 Years**

[21] **Appl. No.: 228,046**

[22] **Filed: Aug. 4, 1988**

[30] **Foreign Application Priority Data**

Feb. 5, 1988 [CA] Canada 05028816
[52] **U.S. Cl. D23/335**
[58] **Field of Search D23/332, 335, 336, 324;
219/202, 359, 366, 367, 368**

[56] **References Cited**

U.S. PATENT DOCUMENTS

D. 164,613 9/1951 Wahlberg et al. D23/336

D. 246,253 11/1977 Schade D23/335
2,552,470 5/1951 Wahlberg et al. 219/366

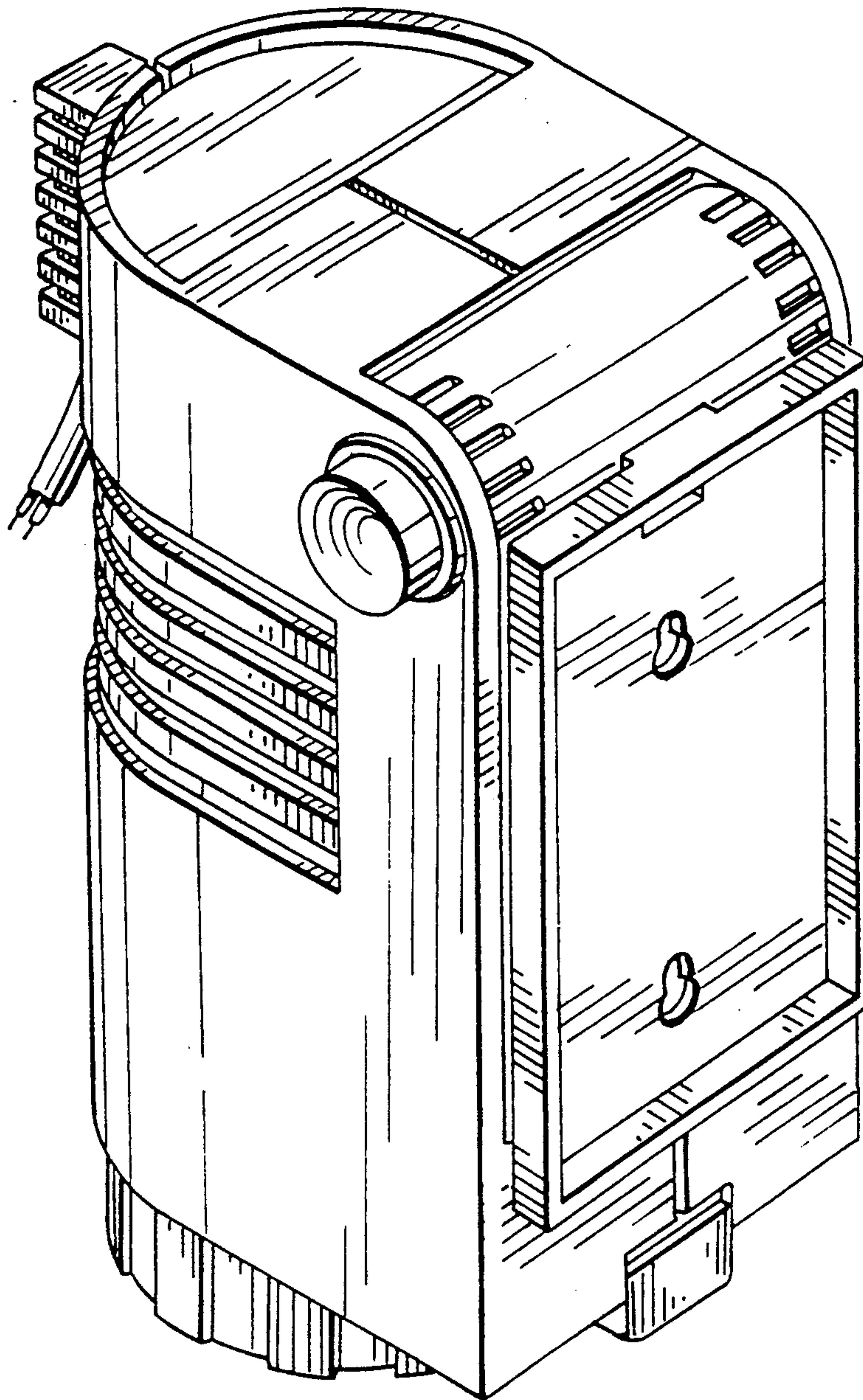
Primary Examiner—James M. Gandy
Assistant Examiner—Lisa Lichtenstein
Attorney, Agent, or Firm—Ridout & Maybee

[57] **CLAIM**

The ornamental design for a portable electric heater, as shown and described.

DESCRIPTION

FIG. 1 is a perspective view taken from the top and rear of a portable electric heater, showing my new design; FIG. 2 is a perspective view taken from the bottom and front thereof; FIG. 3 is a perspective view taken from the top and rear of a portable electric heater, showing a second embodiment of my new design; and FIG. 4 is a perspective view taken from the bottom and front of FIG. 3 thereof.



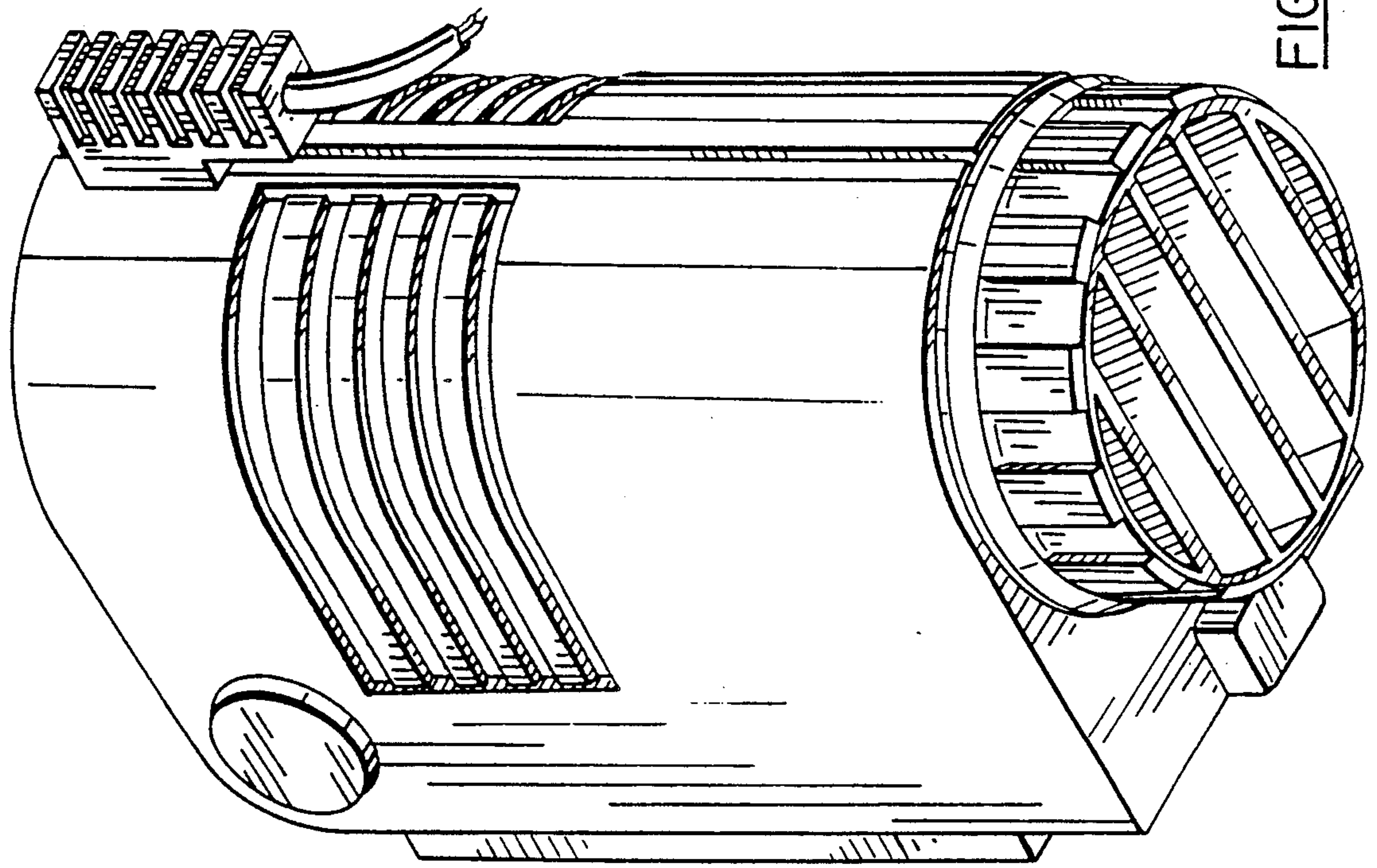


FIG. 2

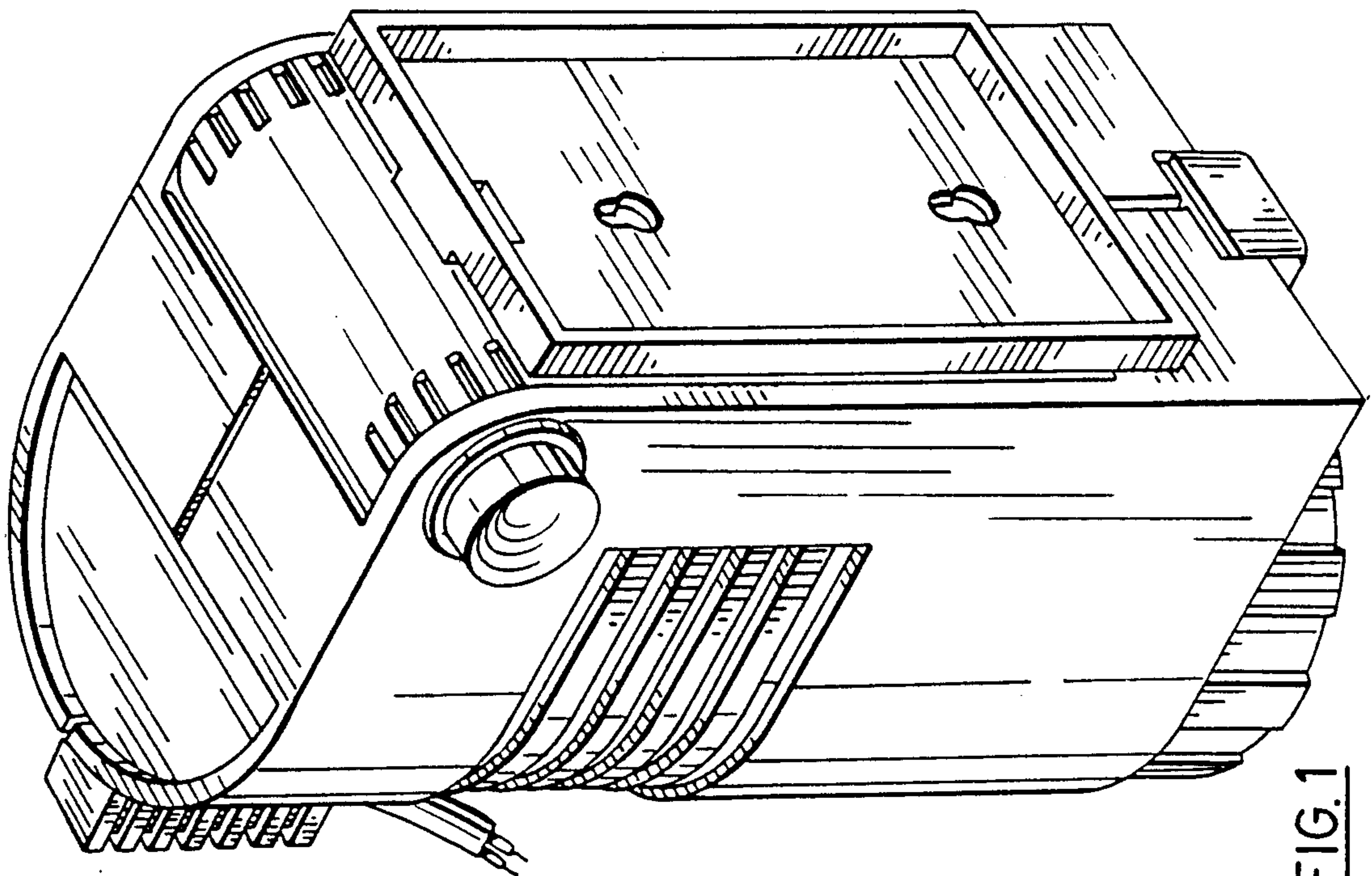


FIG. 1

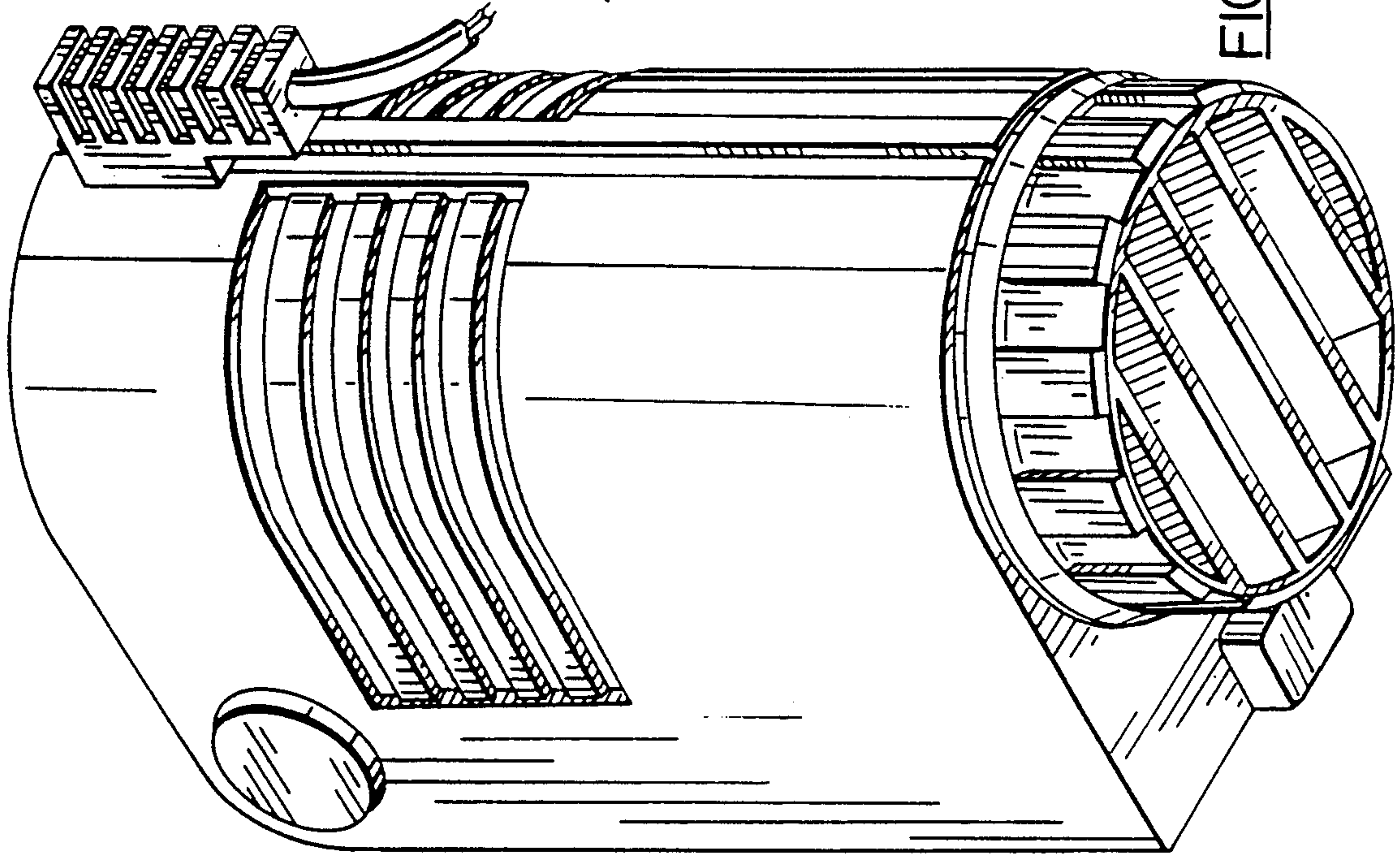


FIG. 4

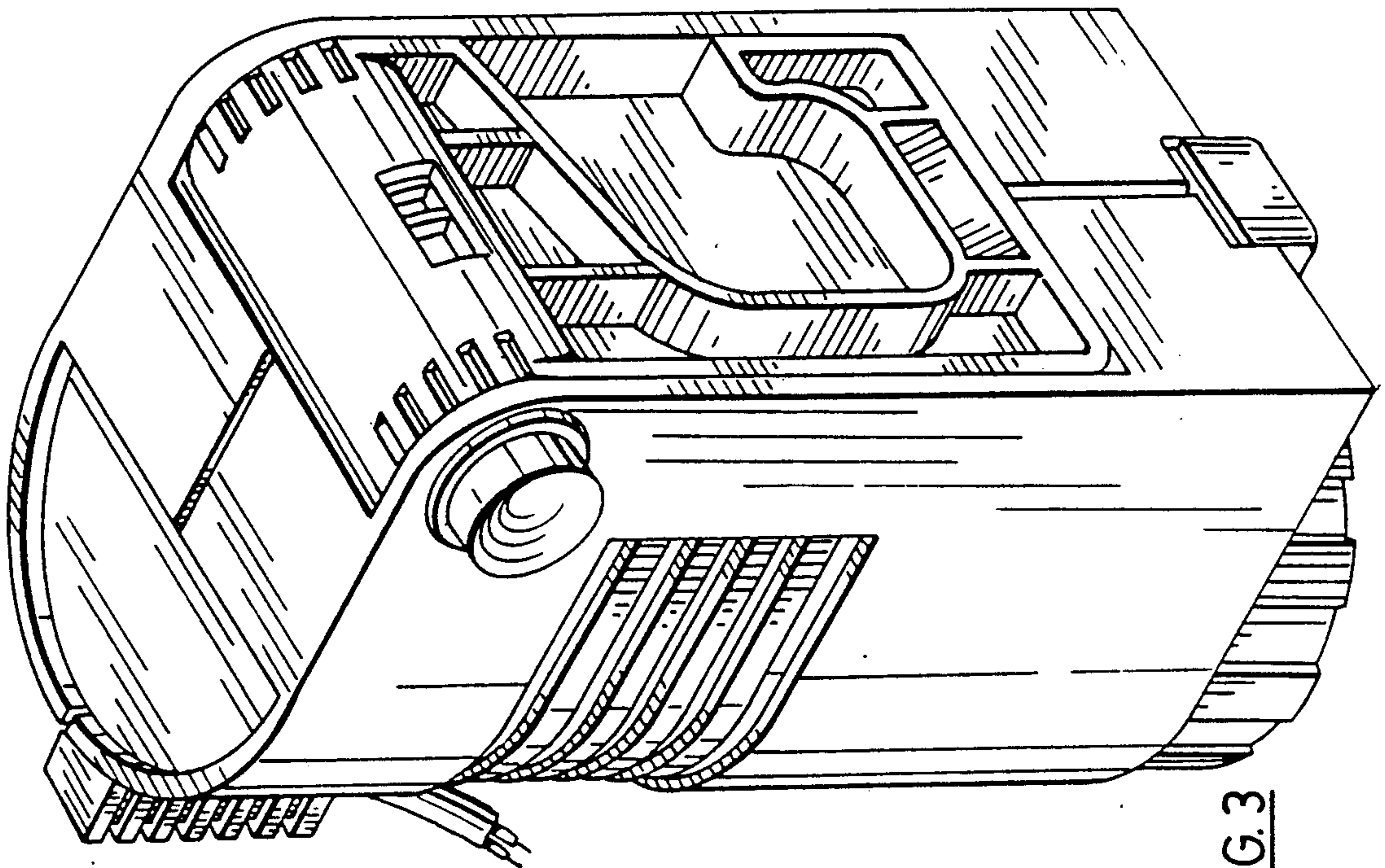


FIG. 3