

[54] **MOBILE ELECTRIC RADIATOR**

[75] **Inventor: Giuseppe De'Longhi, Treviso, Italy**

[73] **Assignee: De'Longhi S.p.A., Treviso, Italy**

[**] **Term: 14 Years**

[21] **Appl. No.: 131,545**

[22] **Filed: Dec. 11, 1987**

[52] **U.S. Cl. D23/330**

[58] **Field of Search D23/330, 332, 335, 336, D23/337, 314, 317; 219/341, 342, 365, 378**

[56] **References Cited**

U.S. PATENT DOCUMENTS

D. 122,944	10/1940	McIntire	D23/330
D. 146,022	12/1946	Freyman	D23/330
411,159	9/1889	Mackey	D23/330
806,395	12/1905	Clark	D23/330
1,239,428	9/1917	Courtot	D23/330
1,556,491	10/1925	Clark	219/341
1,662,935	3/1928	Odell	219/341
1,728,309	9/1929	Shreeve et al.	219/341
1,763,328	6/1930	Robinson	219/296

2,480,809	8/1949	Freyman	219/341
2,530,058	11/1950	Hebard	D23/330

FOREIGN PATENT DOCUMENTS

1340209	9/1963	France	219/341
---------	--------	--------------	---------

Primary Examiner—Wallace R. Burke
Assistant Examiner—Lisa Lichtenstein
Attorney, Agent, or Firm—Abelman Frayne Rezac & Schwab

[57] **CLAIM**

The ornamental design for an mobile electric radiator, as shown.

DESCRIPTION

FIG. 1 is a front, left, perspective view of a mobile electric radiator, showing my new design; FIG. 2 is a front, right, perspective view; FIG. 3 is a top plan view; FIG. 4 is a left side elevation view; FIG. 5 is a front elevation view; FIG. 6 is a bottom plan view; FIG. 7 is a rear elevation view; and FIG. 8 is a right side elevation view.

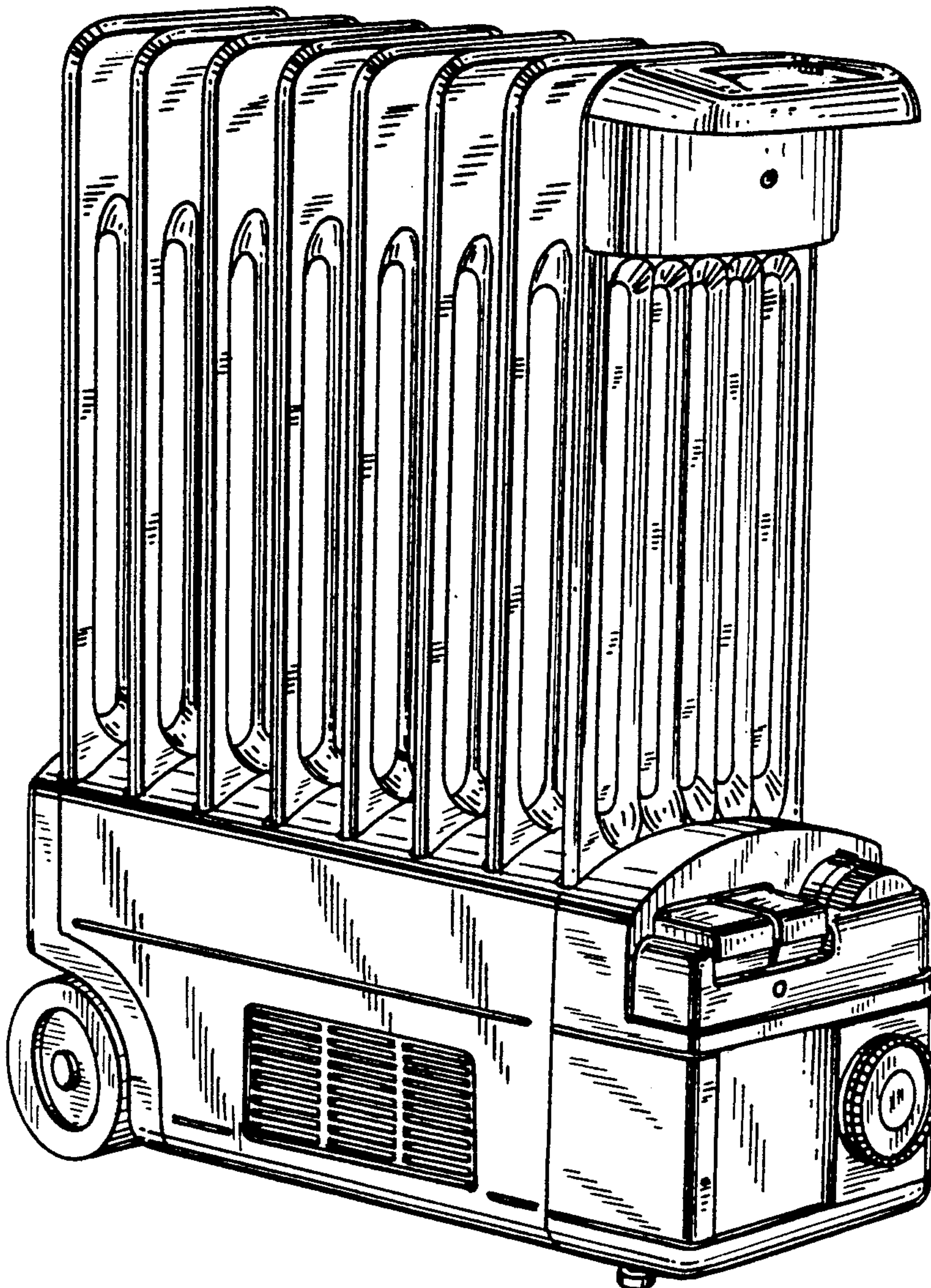
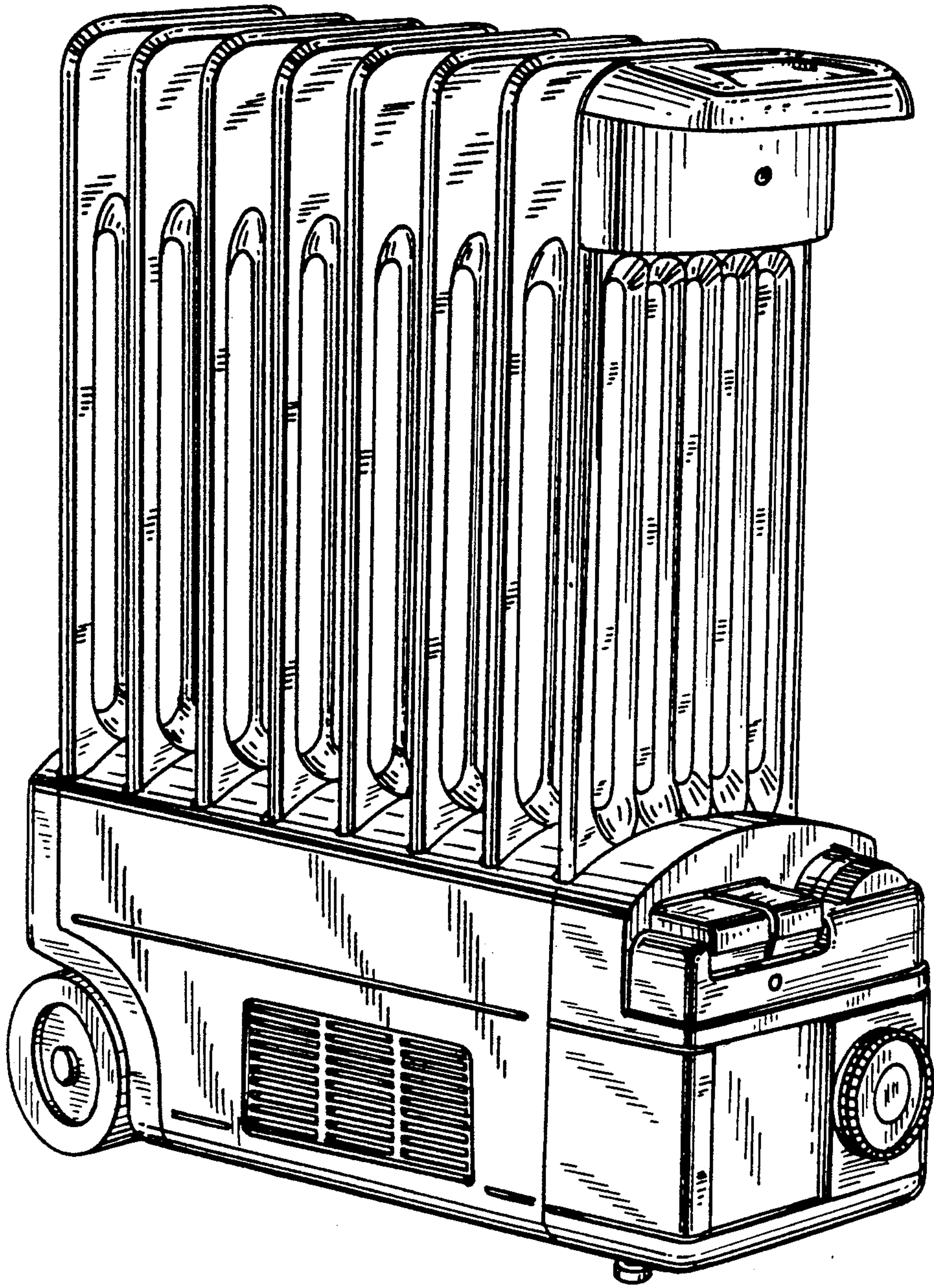


FIG. 1



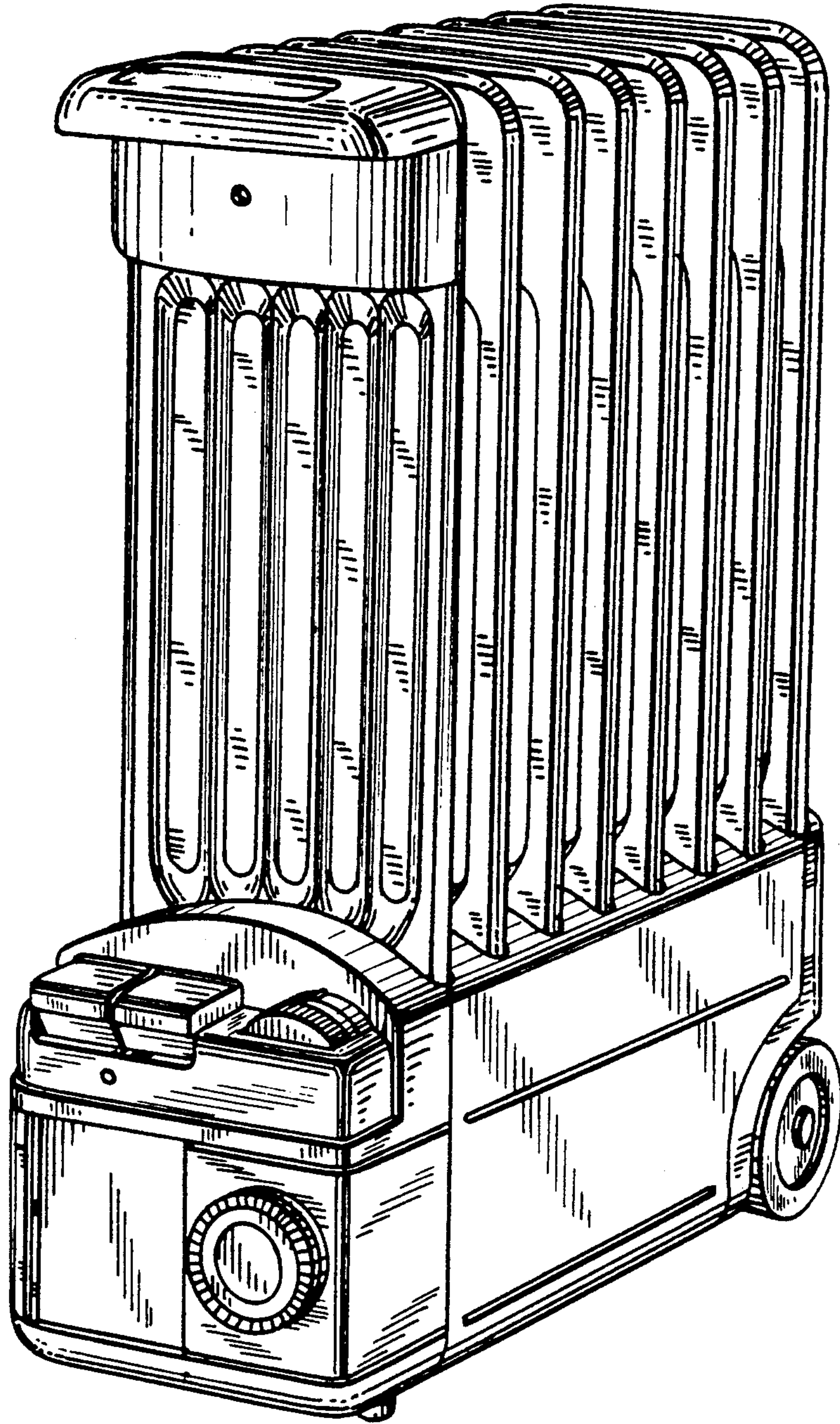


FIG. 2

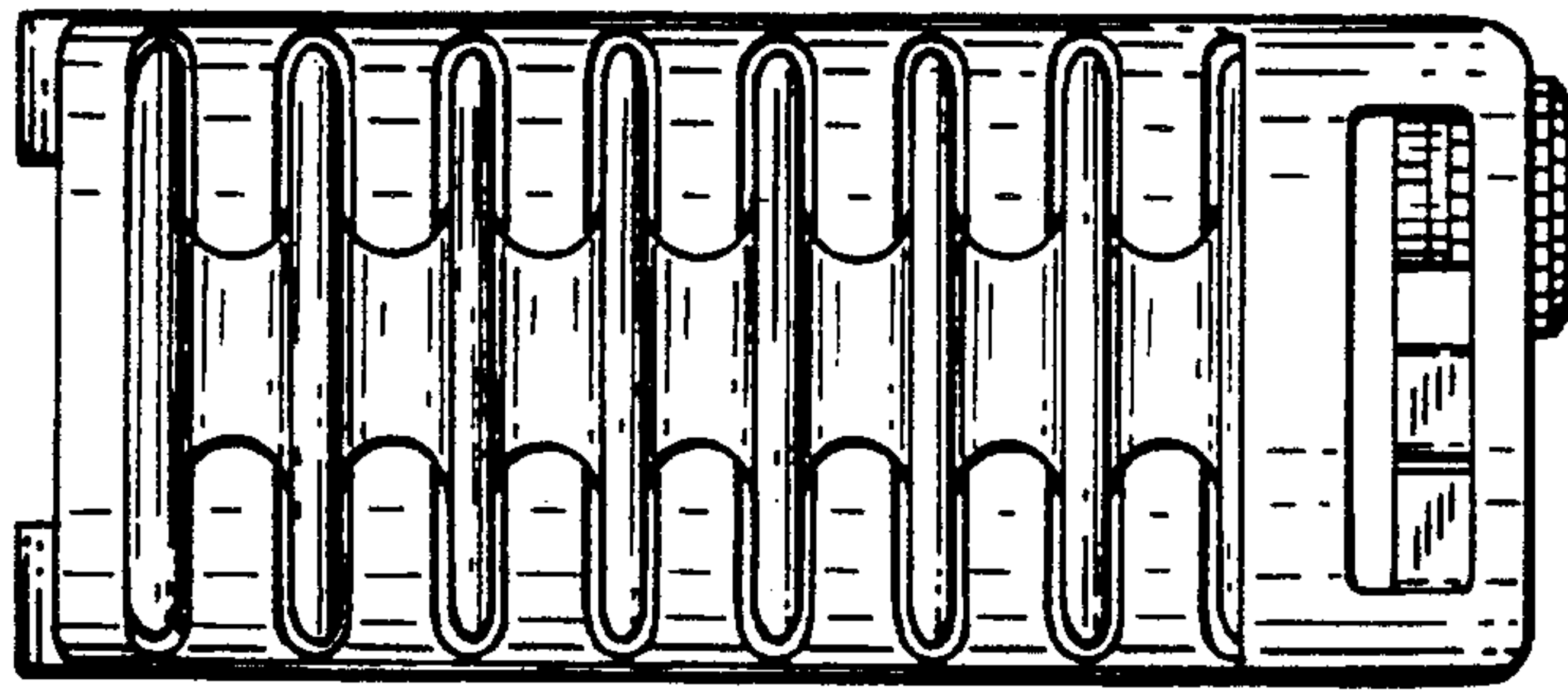


FIG. 3

FIG. 4

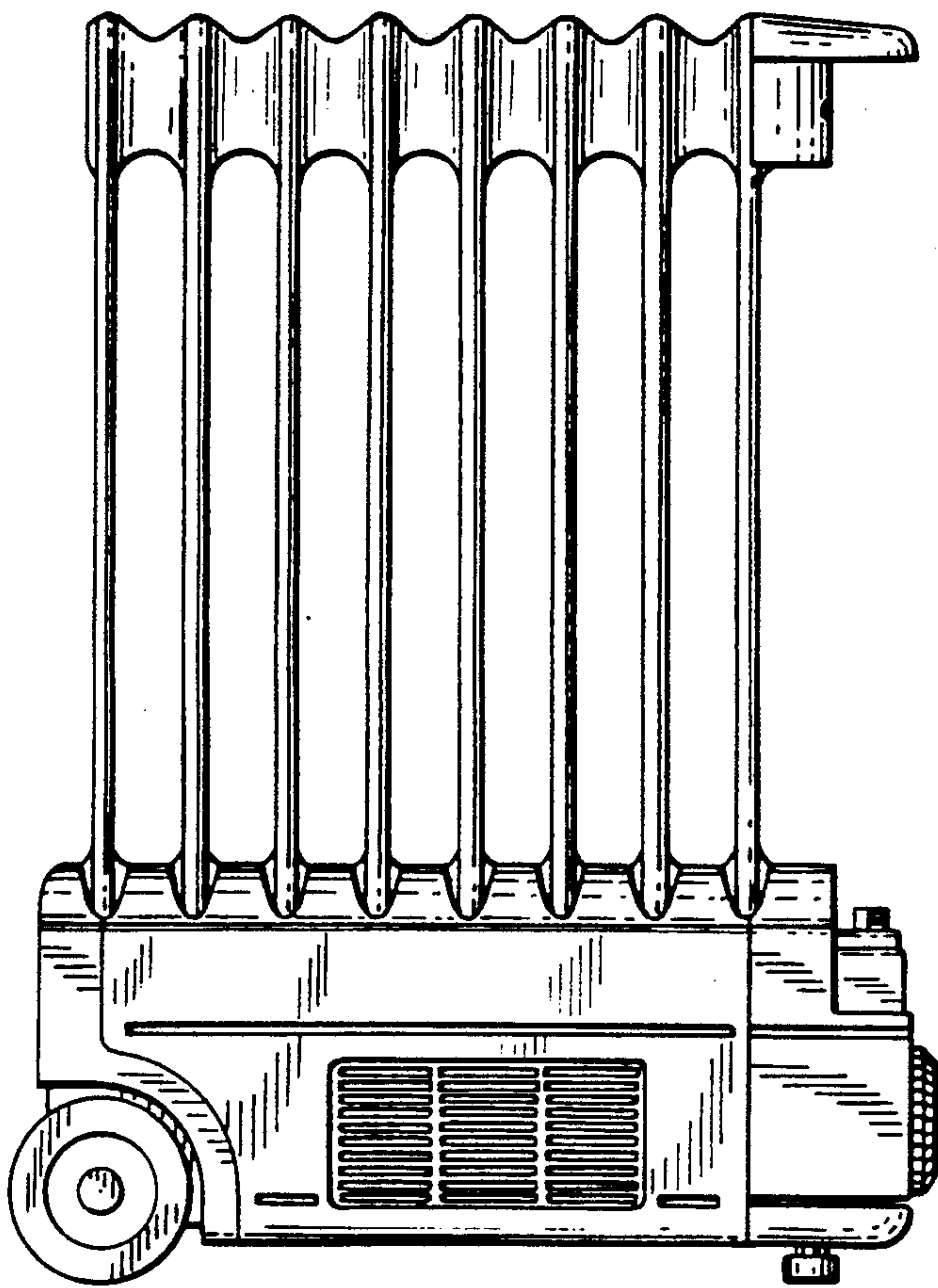


FIG. 5

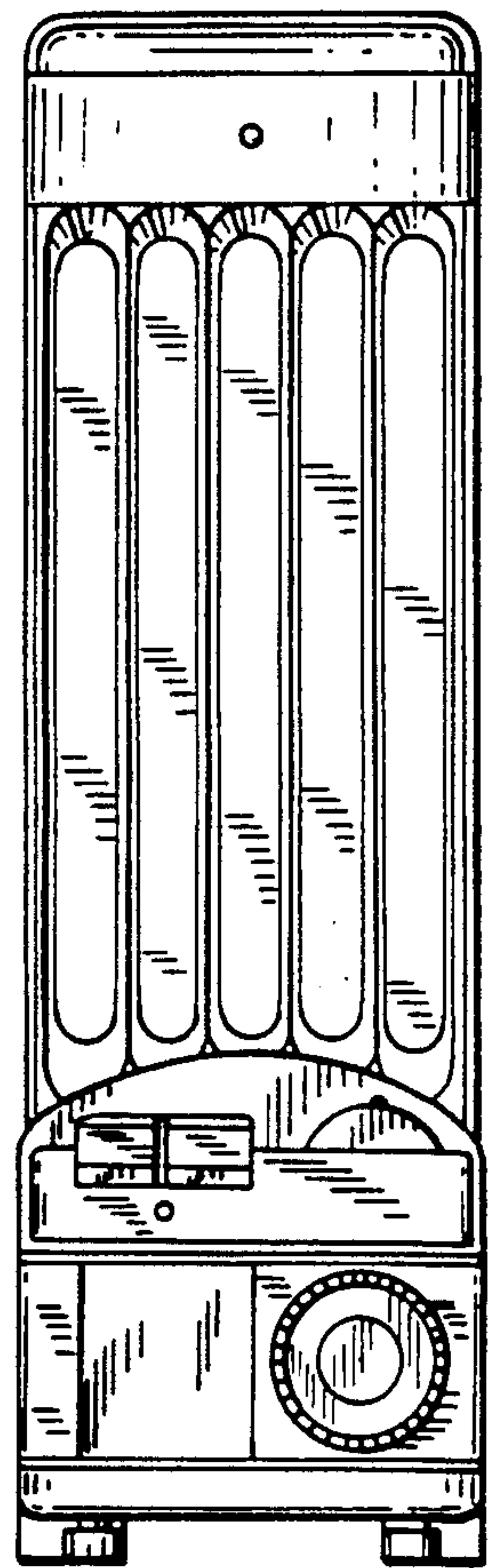


FIG. 6

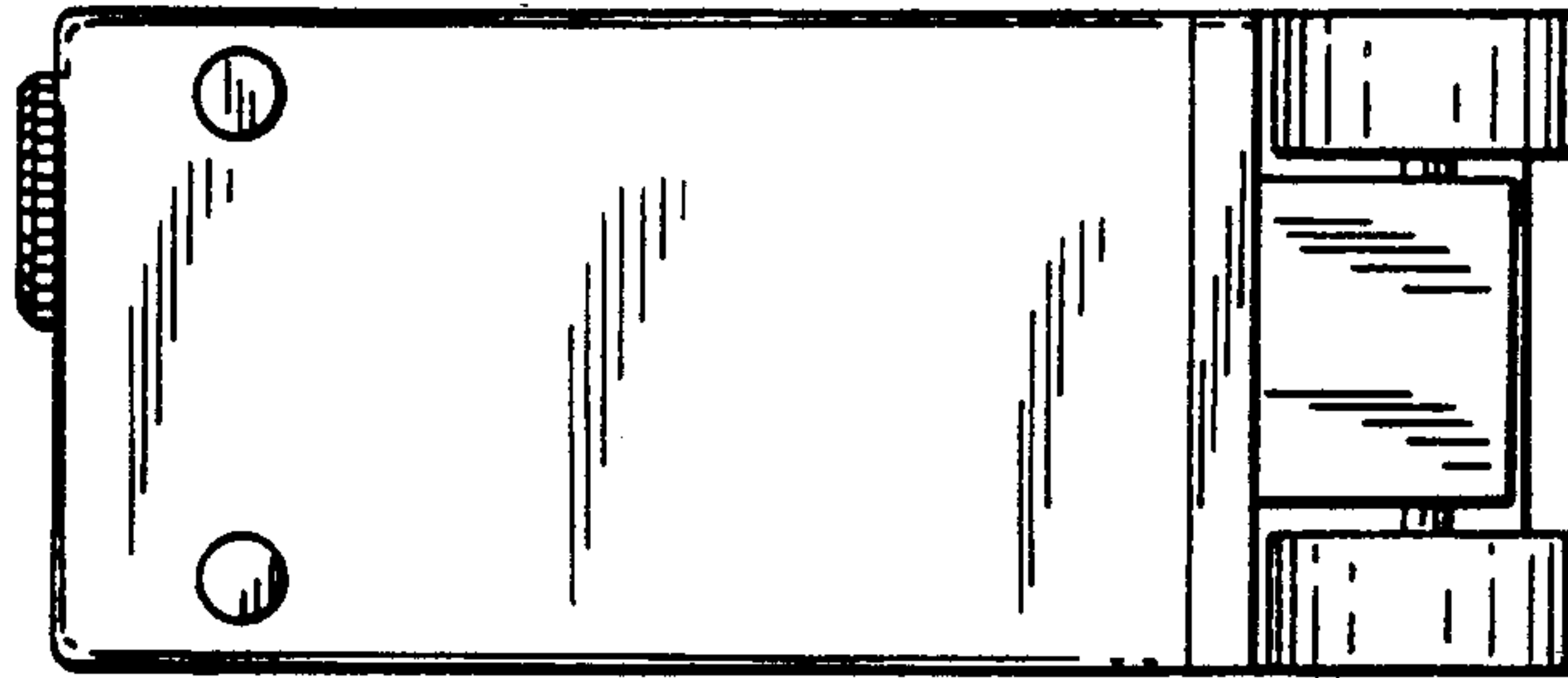


FIG. 7

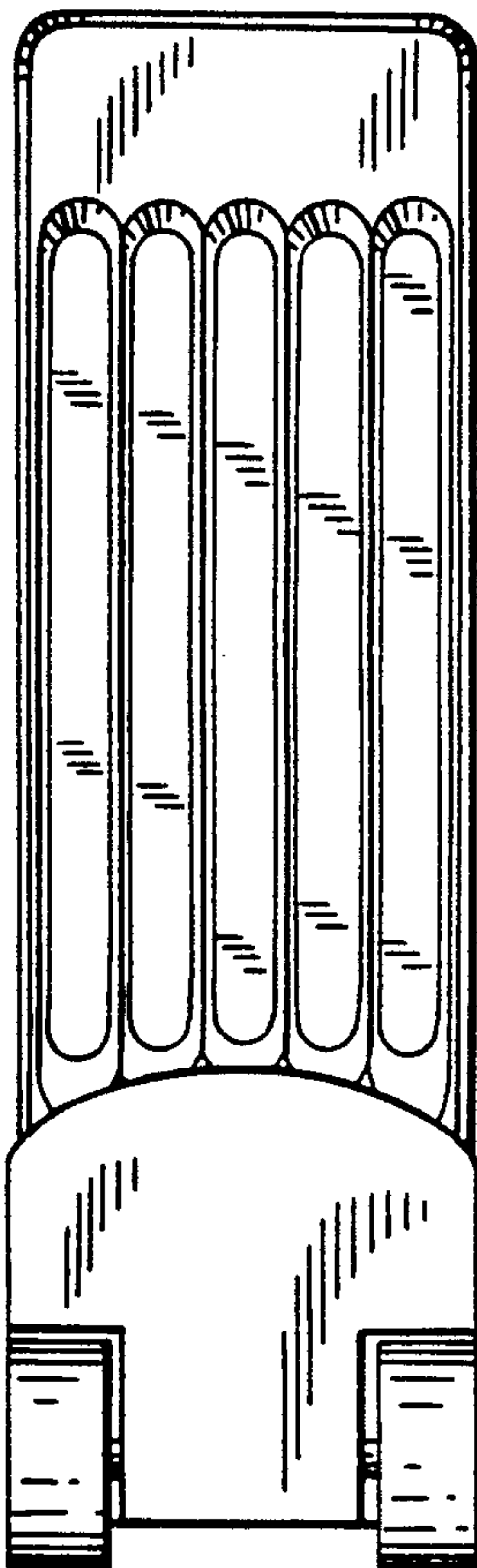


FIG. 8

