

[54] WATER SPRAY GUN

[76] Inventor: Maw-Shinn Liaw, No. 5, Alley 2, Lane 124, Sec. 3, Chien-Kuo Rd., Minhsiung Hsiang Chiayi Hsien, Taiwan, R. O. C., Taiwan

[**] Term: 14 Years

[21] Appl. No.: 252,358

[22] Filed: Sep. 30, 1988

[52] U.S. Cl. D23/226

[58] Field of Search D23/213, 223-227; 239/301, 332, 373, 394, 414-415, 525-528, 532, 554, 556, 690, 691, 700-703, 589, 602, DIG. 9, 273, 282-283, 289; 251/244; 361/227-228, 235

[56] References Cited

U.S. PATENT DOCUMENTS

D. 240,430 7/1976 Grube D23/223

D. 300,348	3/1989	Lubeck	D23/226
2,937,813	5/1960	Rinkewich	239/526 X
3,093,318	6/1963	Chow	239/526 X
4,448,355	5/1984	Roman	239/526

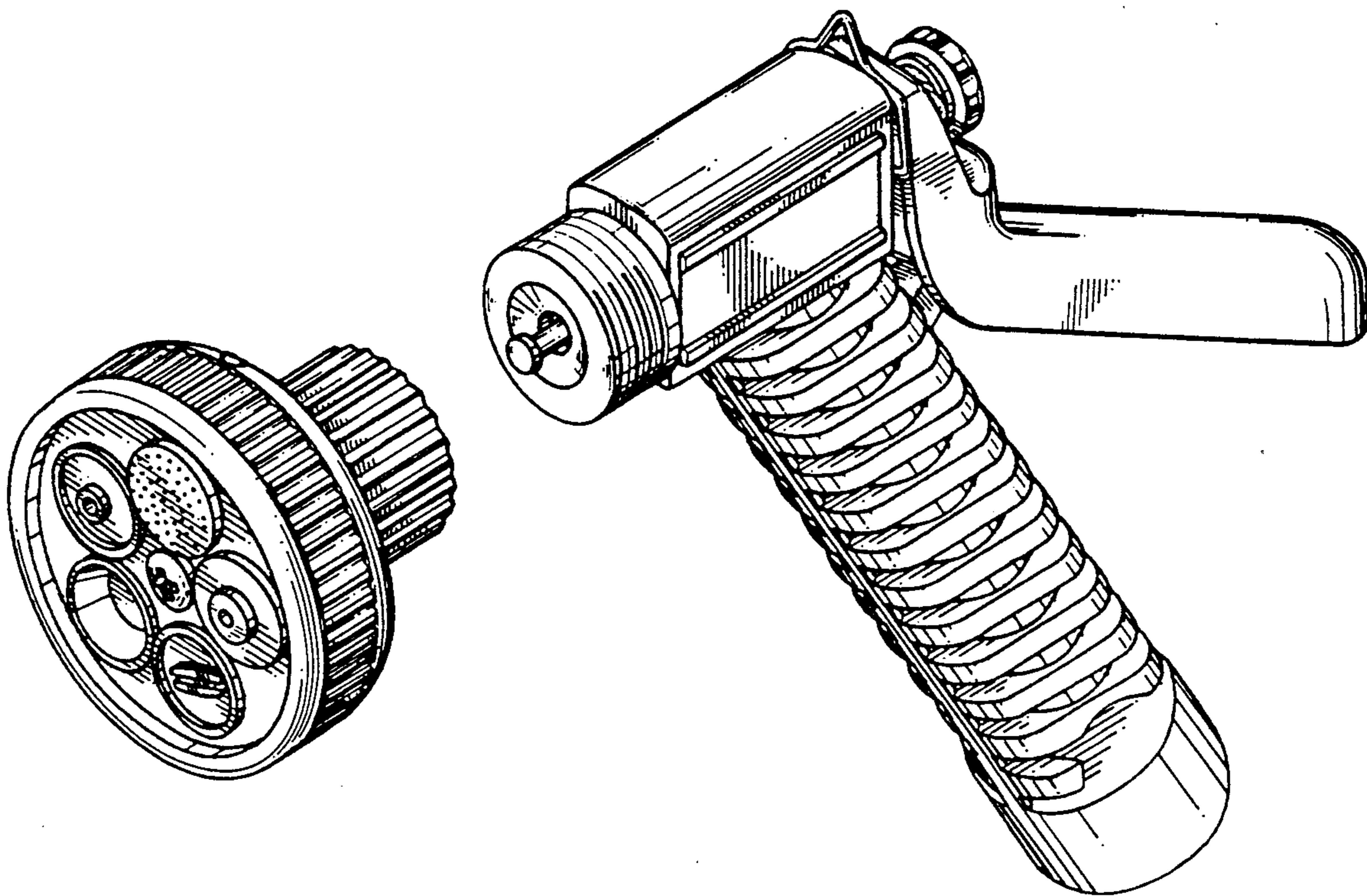
Primary Examiner—Wallace R. Burke
Assistant Examiner—M. H. Tung
Attorney, Agent, or Firm—Bucknam and Archer

[57] CLAIM

The ornamental design for a water spray gun, as shown and described.

DESCRIPTION

FIG. 1 is an exploded perspective view of a water spray gun showing my new design;
FIG. 2 is a front elevational view thereof;
FIG. 3 is a rear elevational view thereof;
FIG. 4 is a top plan view thereof;
FIG. 5 is a right side elevational view thereof, the left side being a mirror image;
FIG. 6 is a bottom plan view thereof.



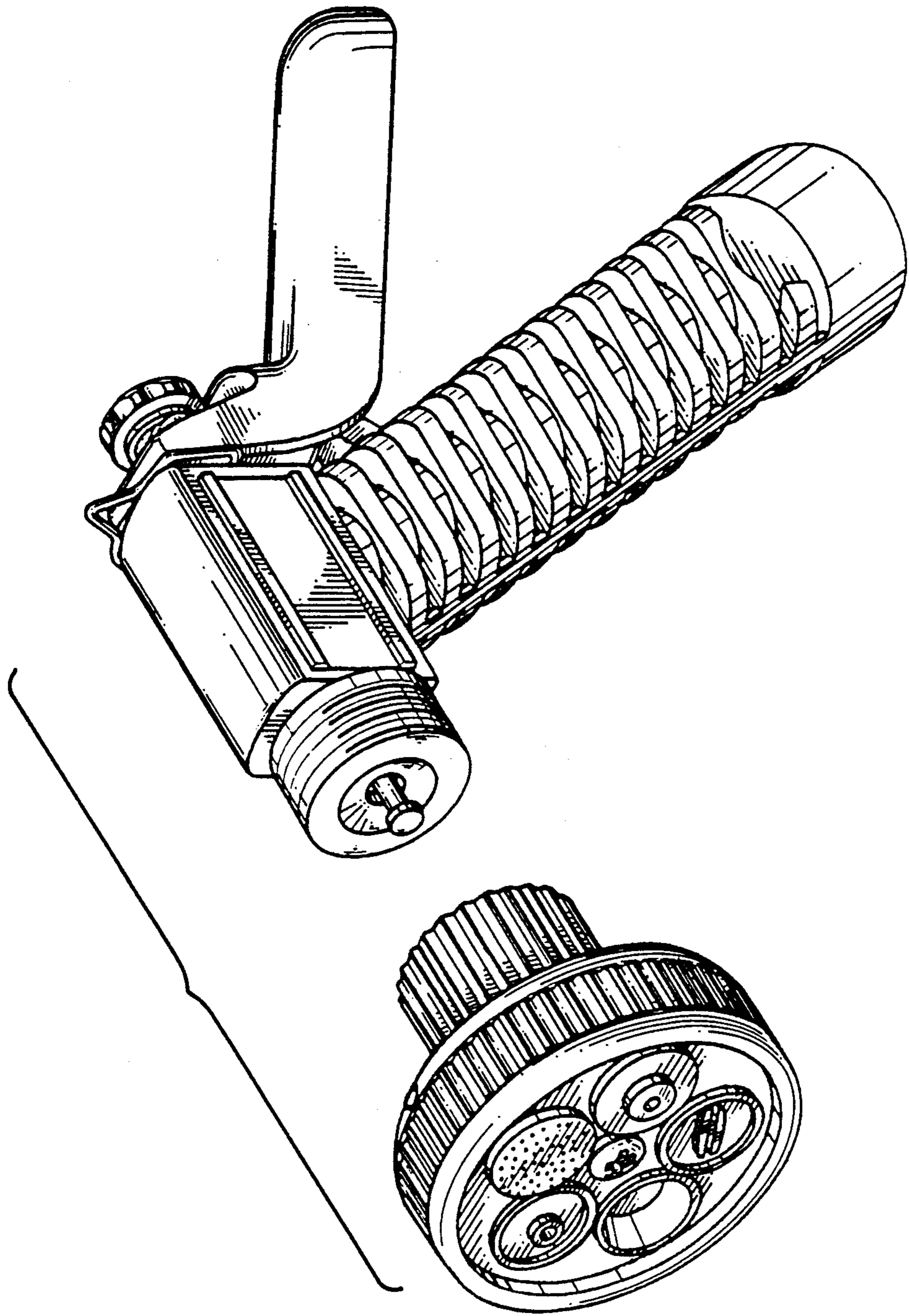


FIG. 1

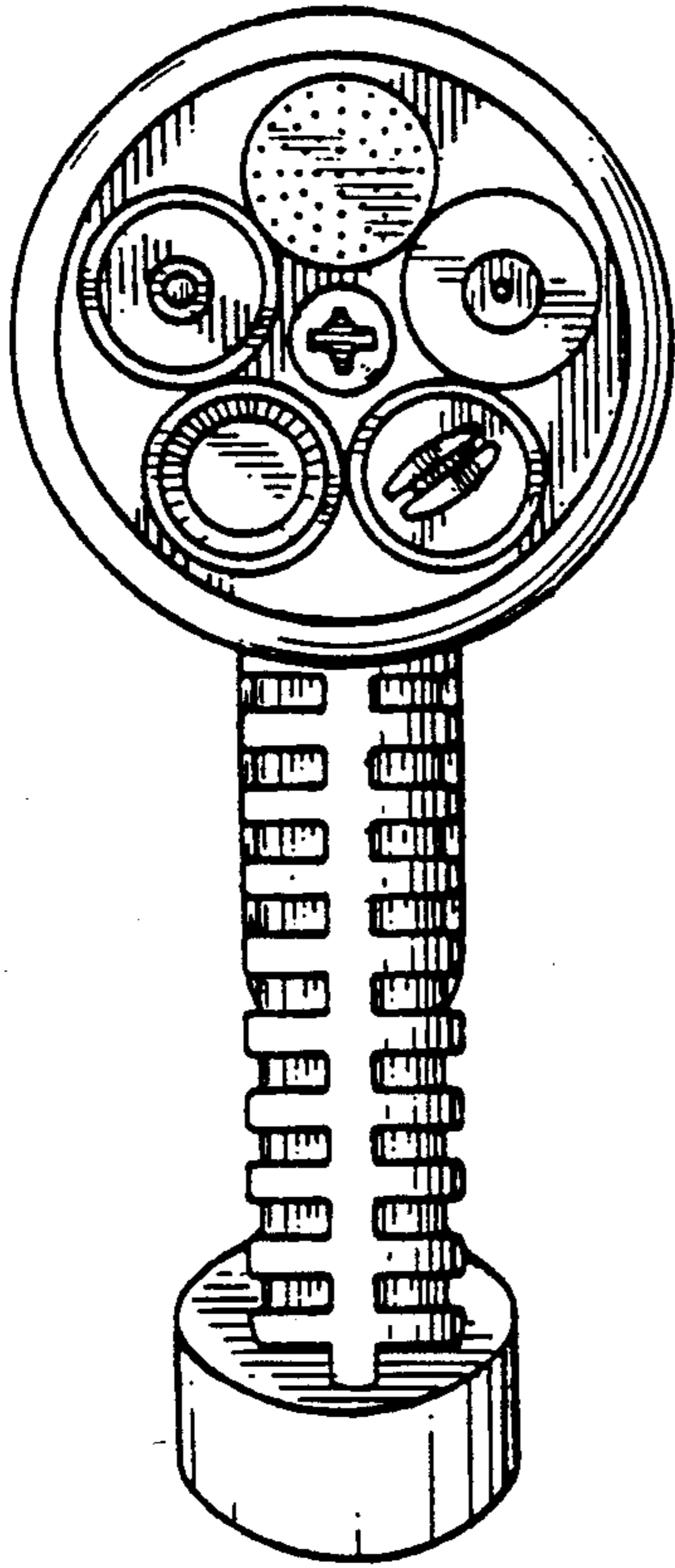


FIG. 2

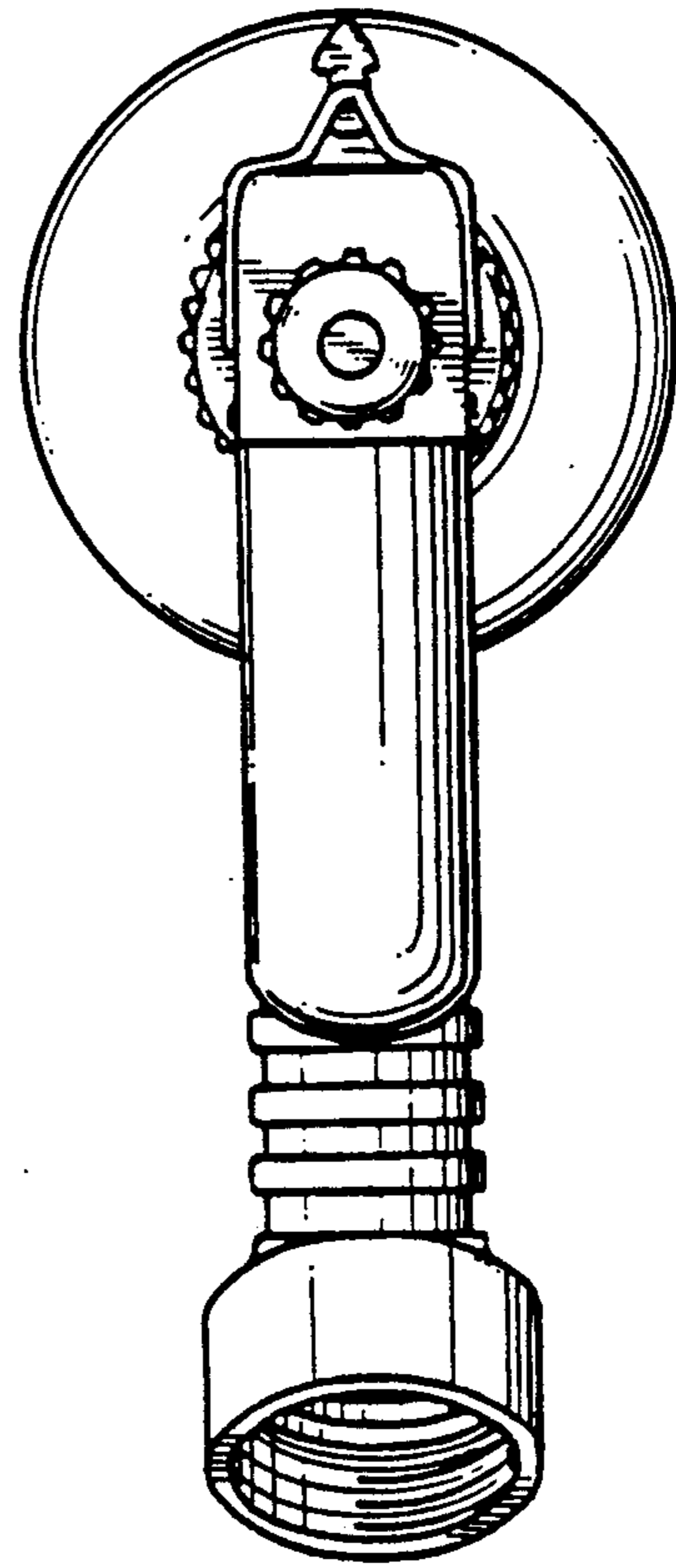


FIG. 3

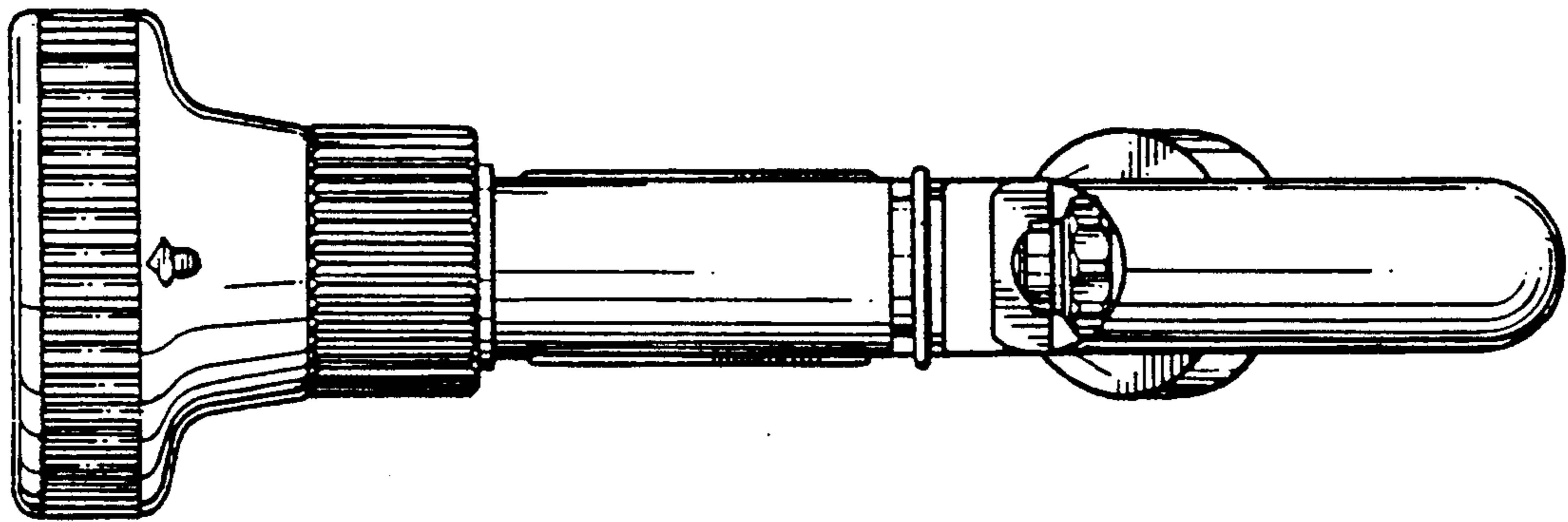


FIG. 4

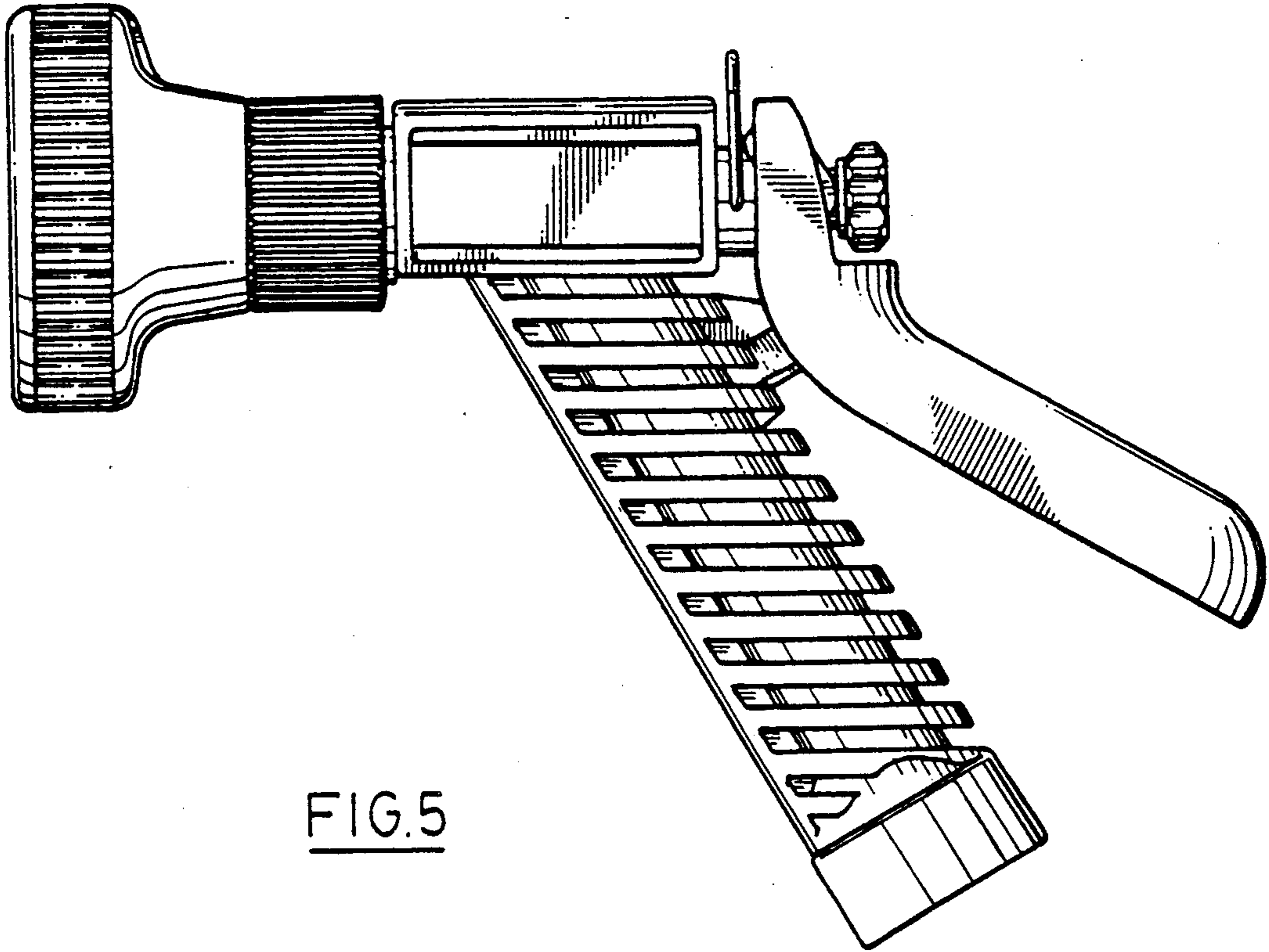


FIG. 5

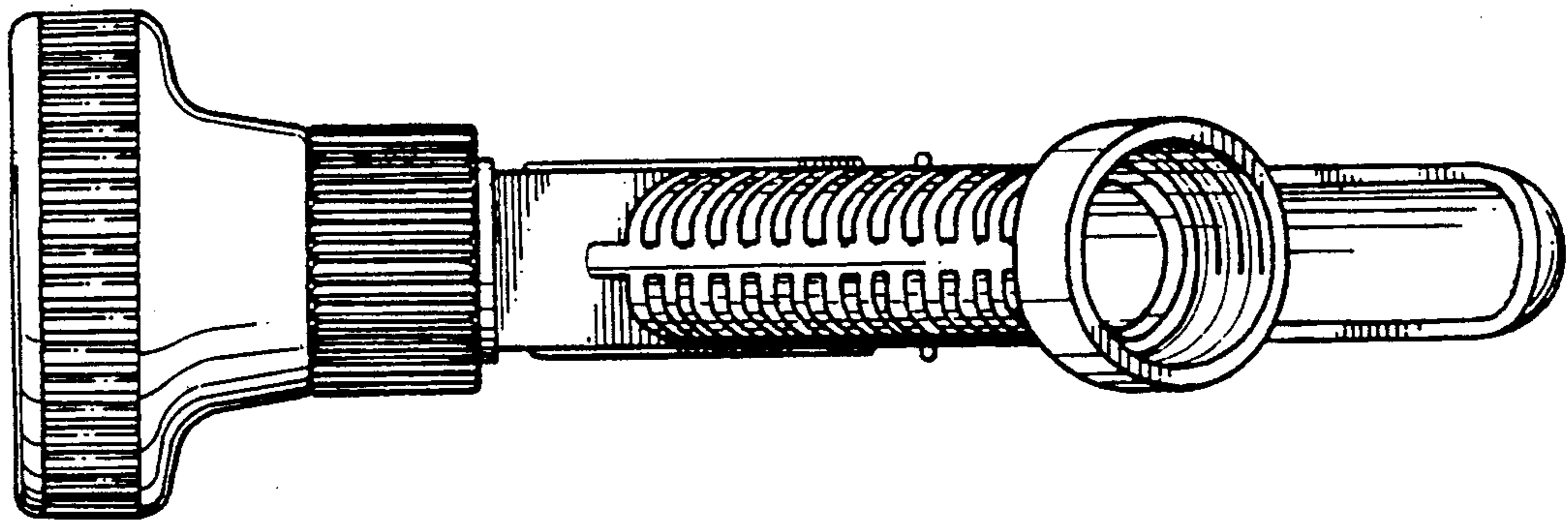


FIG. 6