

[54] HEAD FOR A SHOWER OR HAND SPRAY

U.S. PATENT DOCUMENTS

[75] Inventor: Constantin Presman, Bat-Yam, Israel

| | | | | |
|------------|---------|--------------|-------|-----------|
| D. 296,002 | 5/1988 | Haug et al. | | D23/229 |
| 1,598,996 | 9/1926 | Wheelock | | 239/559 |
| 2,874,001 | 2/1959 | Webb | | D23/213 X |
| 3,057,561 | 10/1962 | Corlett, Jr. | | 4/596 X |
| 4,398,668 | 8/1983 | Jette | | 4/596 X |

[73] Assignee: AMCOR Ltd., Tel Aviv, Israel

[**] Term: 14 Years

Primary Examiner—Susan J. Lucas
Assistant Examiner—M. H. Tung
Attorney, Agent, or Firm—Browdy and Neimark

[21] Appl. No.: 290,285

[57] CLAIM

[22] Filed: Dec. 23, 1988

The ornamental design for the head for a shower or hand spray, as shown and described.

[30] Foreign Application Priority Data

DESCRIPTION

Aug. 18, 1988 [IL] Israel 14085
 [52] U.S. Cl. D23/213
 [58] Field of Search D23/213, 222-230;
 4/191-192, 447, 567-570, 596, 599-603, 615;
 239/310, 276-281, 282-283, 288.5, 443-449,
 456-460, 525, 530-532, 548, 550-552, 556-559,
 562-565, 567, 581-583, 586-588

FIG. 1 is a front elevational view of a head for a shower or head spray showing my new design;
 FIG. 2 is a rear elevational view thereof;
 FIG. 3 is a side elevational view thereof, the opposite side being a mirror image except that two triangular extrusions would be seen;
 FIG. 4 is a bottom perspective view thereof, on an enlarged scale.

[56] References Cited

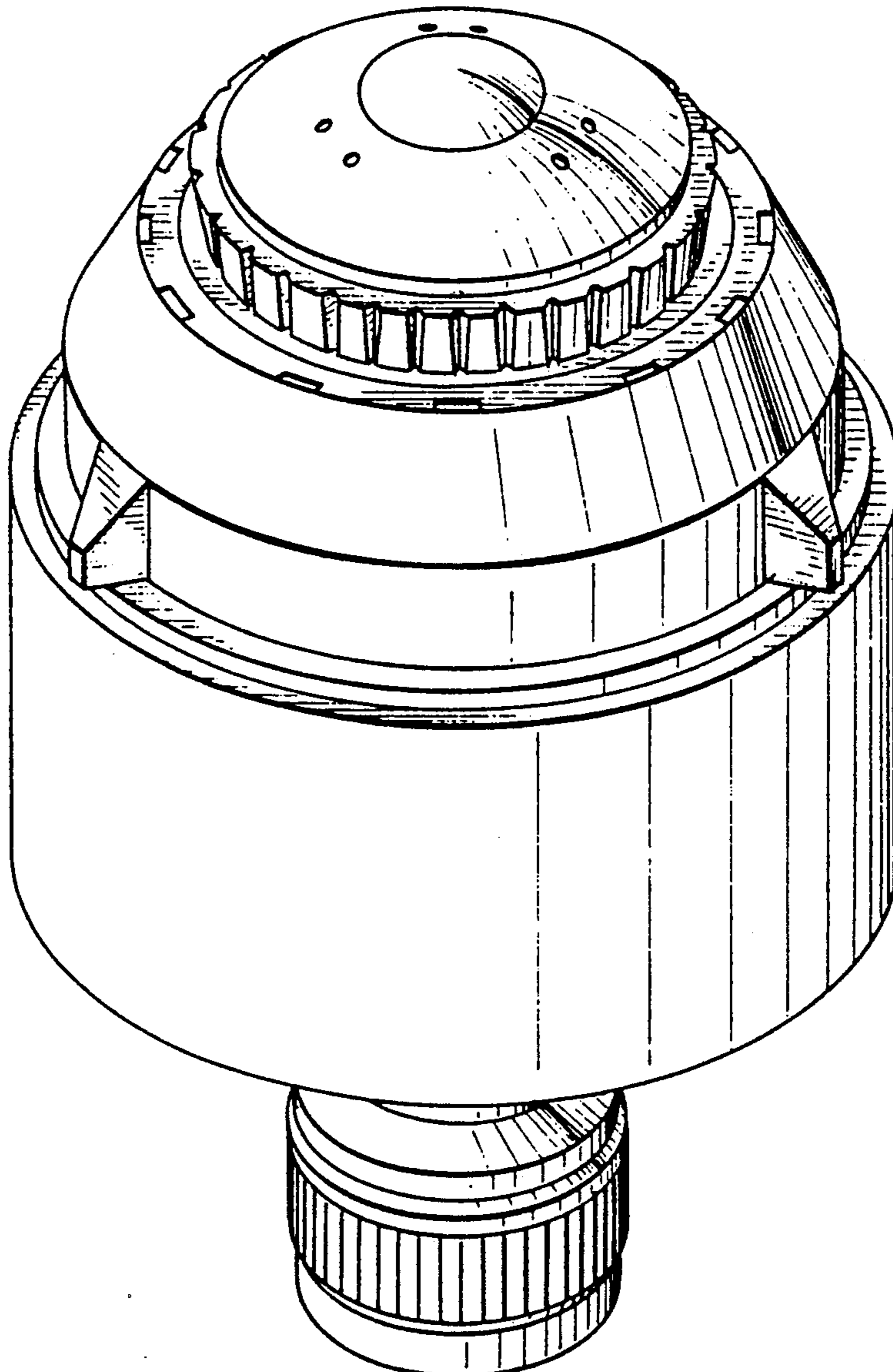


FIG. 1

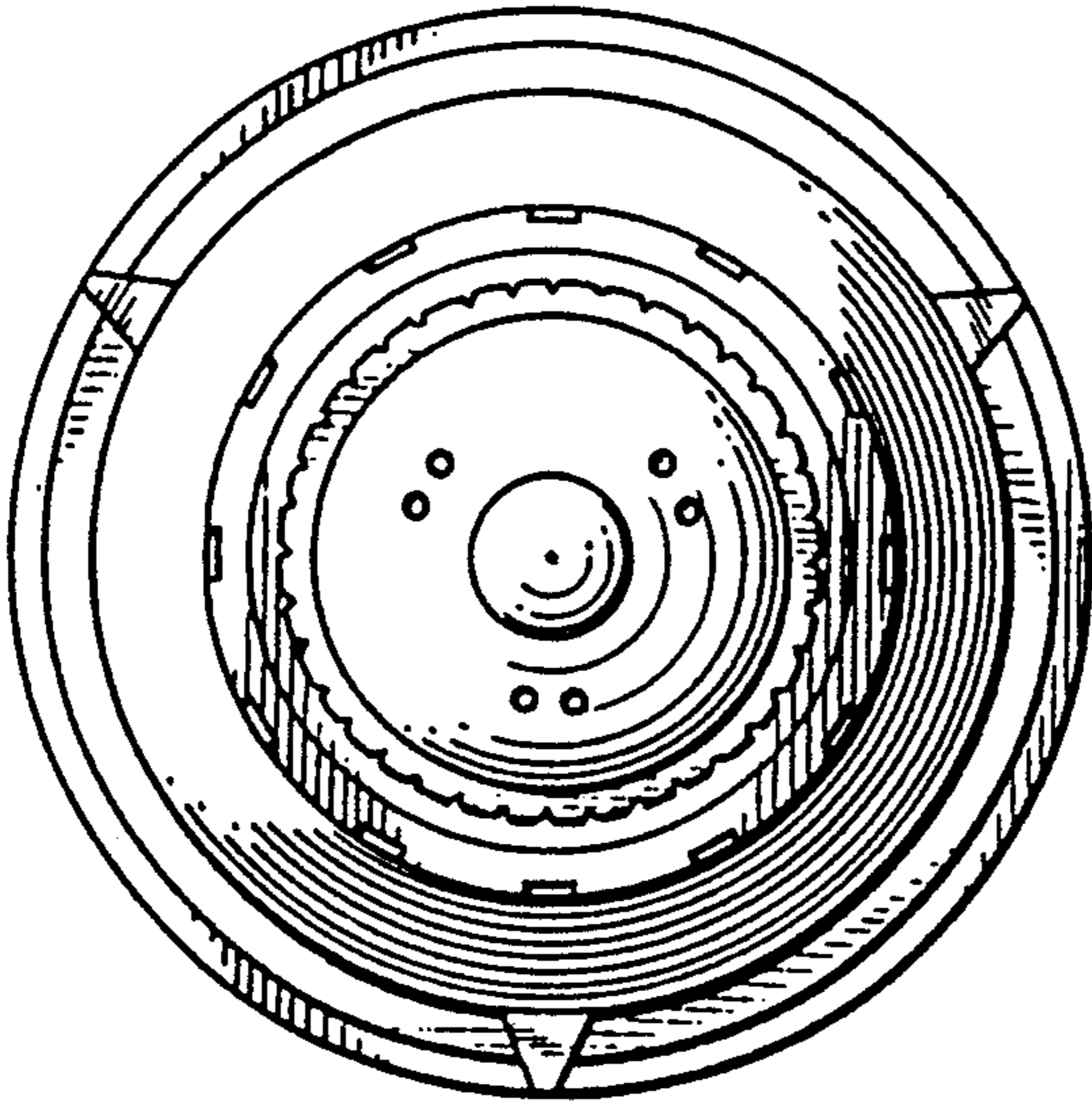


FIG. 2

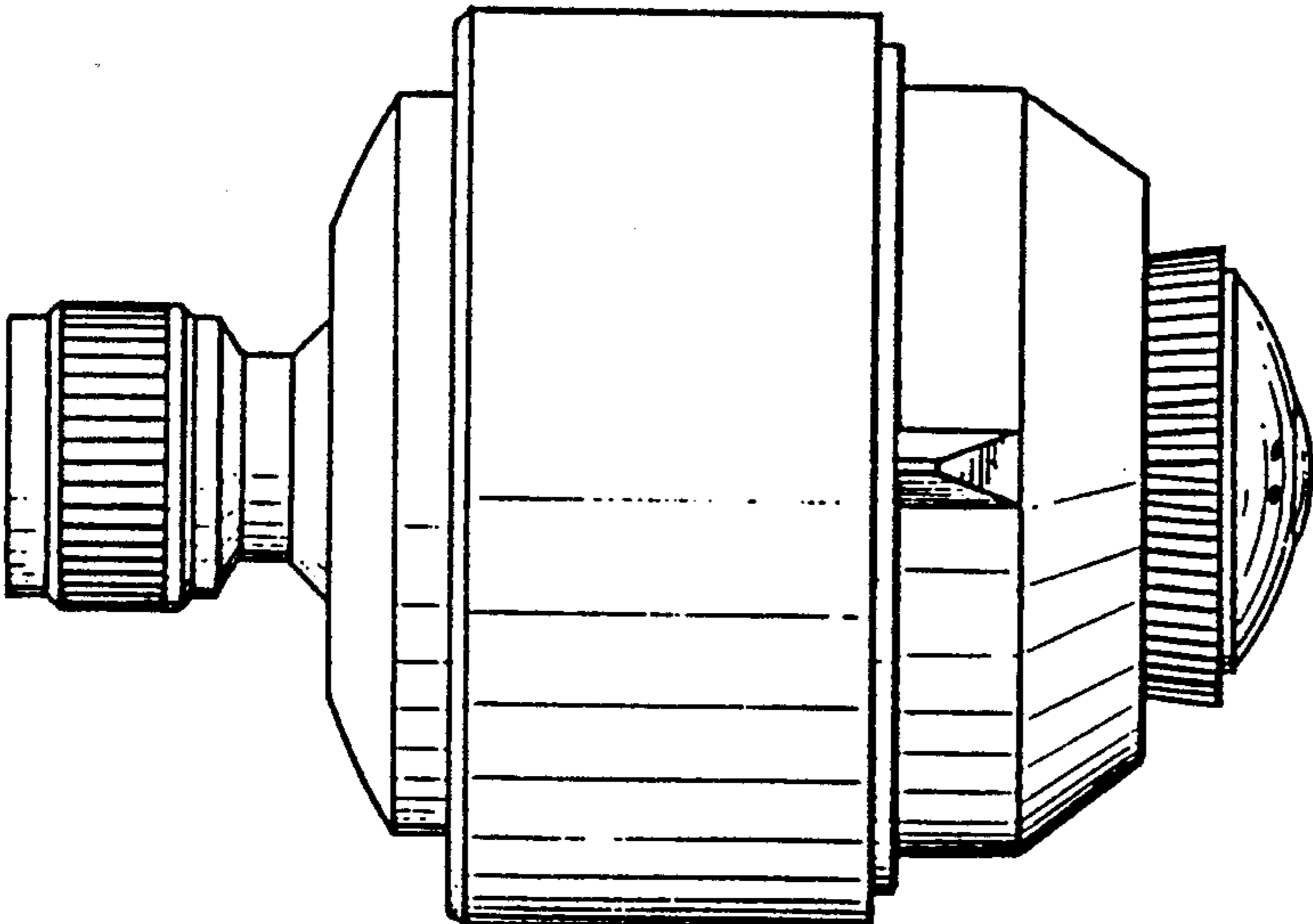
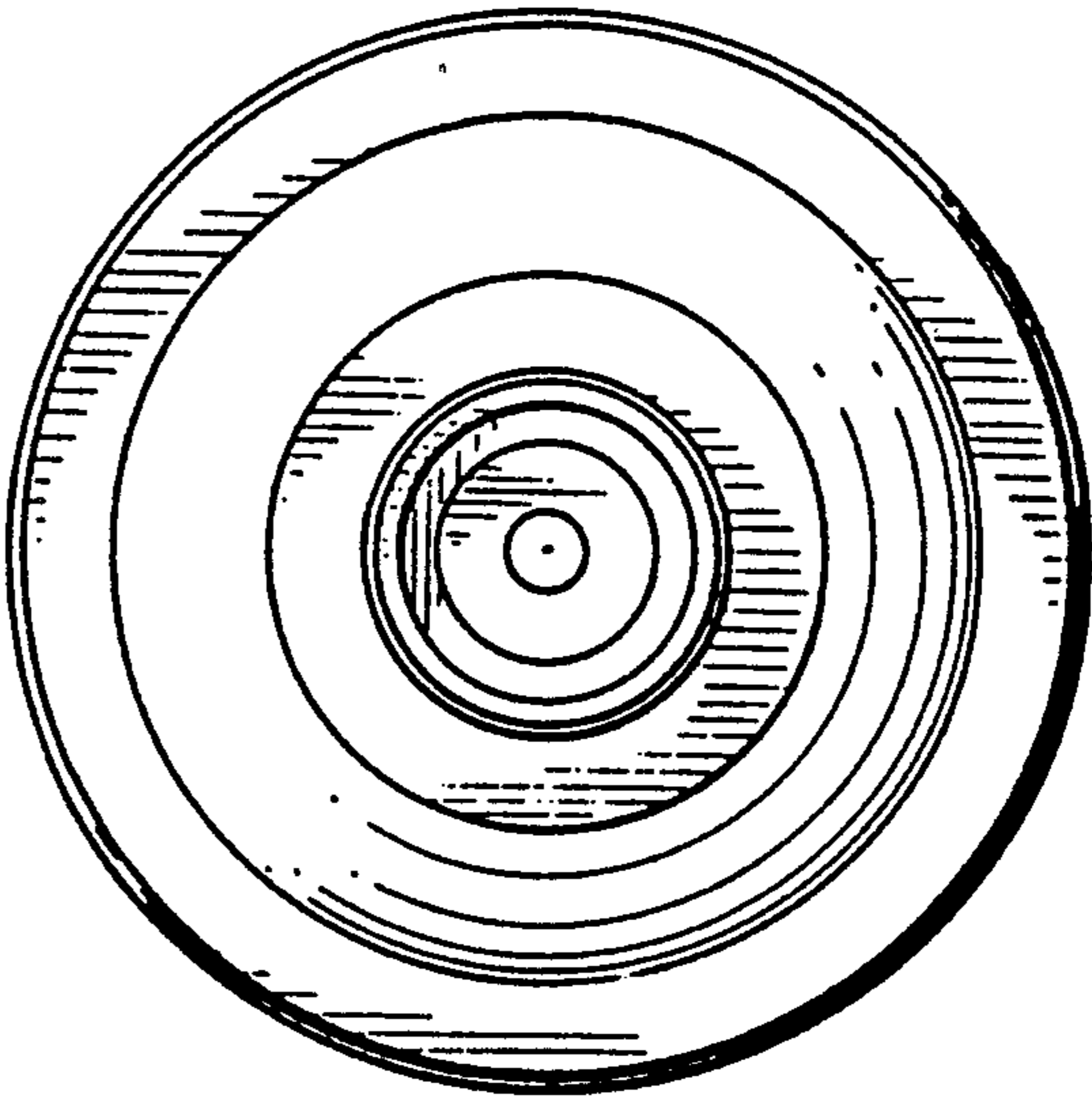


FIG. 3

FIG. 4

