

United States Patent [19]

Kapec et al.

[11] Patent Number: Des. 314,607

[45] Date of Patent: ** Feb. 12, 1991

[54] WATER PURIFIER

[75] Inventors: Jeffrey Kapec, West Port; Samuel Montague, Norwalk; Kazuma Tanaka, Cos Cob, all of Conn.

[73] Assignee: Electrolux Water Systems, Inc., Marietta, Ga.

[**] Term: 14 Years

[21] Appl. No.: 438,900

[22] Filed: Nov. 16, 1989

[52] U.S. Cl. D23/209

[58] Field of Search D23/200, 207-210; 210/136, 198.1, 205-206, 231, 241, 244-245, 257.1-257.2, 266, 258, 260-261, 269, 275, 282, 288-290, 295, 321.6, 321.64, 321.78, 416.3, 443-449

[56] References Cited

U.S. PATENT DOCUMENTS

D. 187,577 3/1960 Smith D23/207
D. 236,829 9/1975 Berry et al. D23/207

D. 290,638 6/1987 Bishop D23/207
D. 295,438 4/1988 Bray et al. D23/207
4,818,398 4/1989 Lott et al. 210/448 X

OTHER PUBLICATIONS

Brookstone Catalogue item water filter system, Jan. 1986, p. 42.

Primary Examiner—Susan J. Lucas

Assistant Examiner—M. H. Tung

Attorney, Agent, or Firm—McAulay Fisher Nissen & Goldberg

[57] CLAIM

The ornamental design for a water purifier, as shown and described.

DESCRIPTION

FIG. 1 is a top perspective view of a water purifier showing our new design, on a reduced scale; FIG. 2 is a front elevational view thereof; FIG. 3 is a left side elevational view thereof; FIG. 4 is a right side elevational view thereof; FIG. 5 is a top plan view thereof; and FIG. 6 is a bottom plan view thereof.

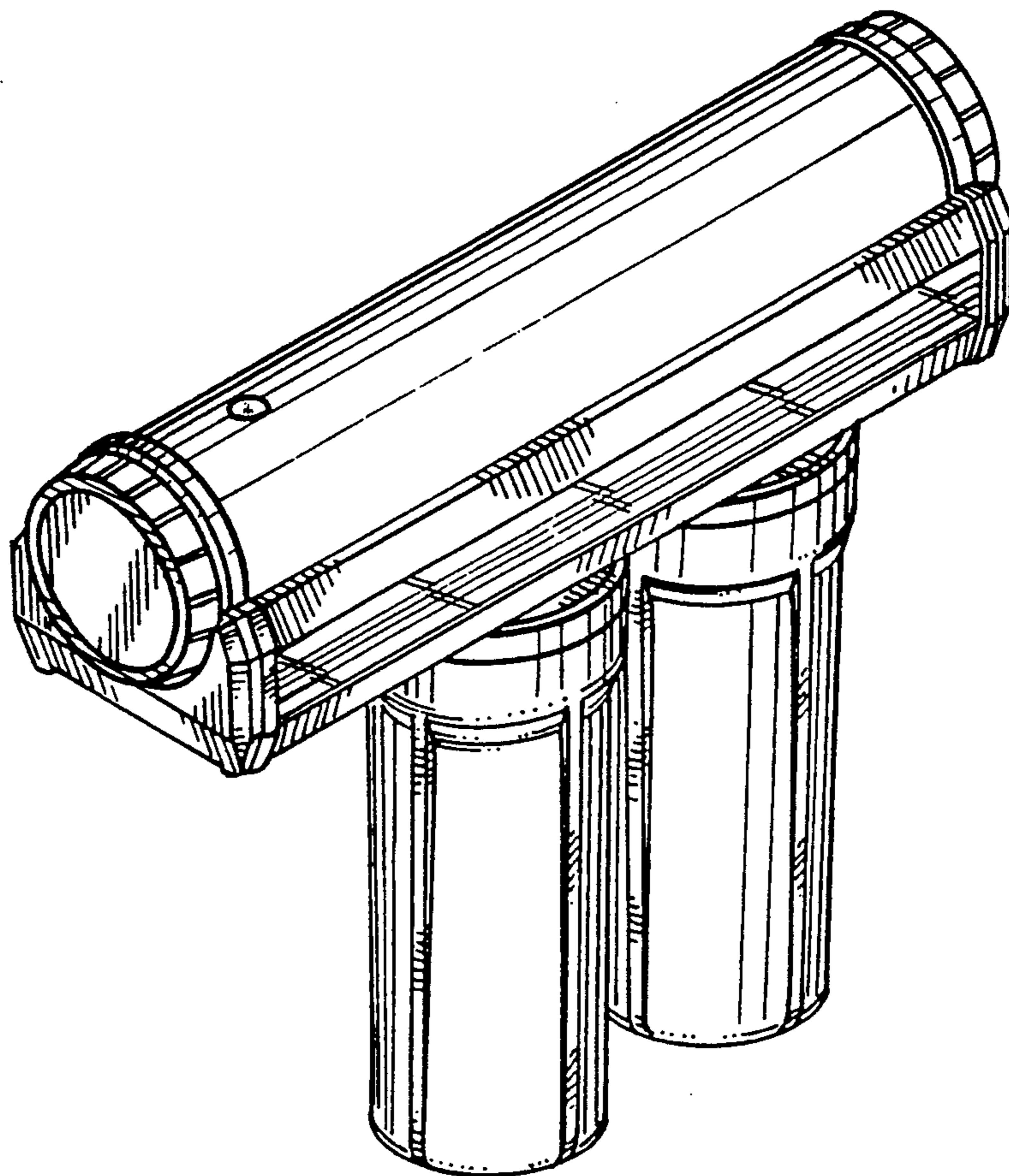


FIG. 1

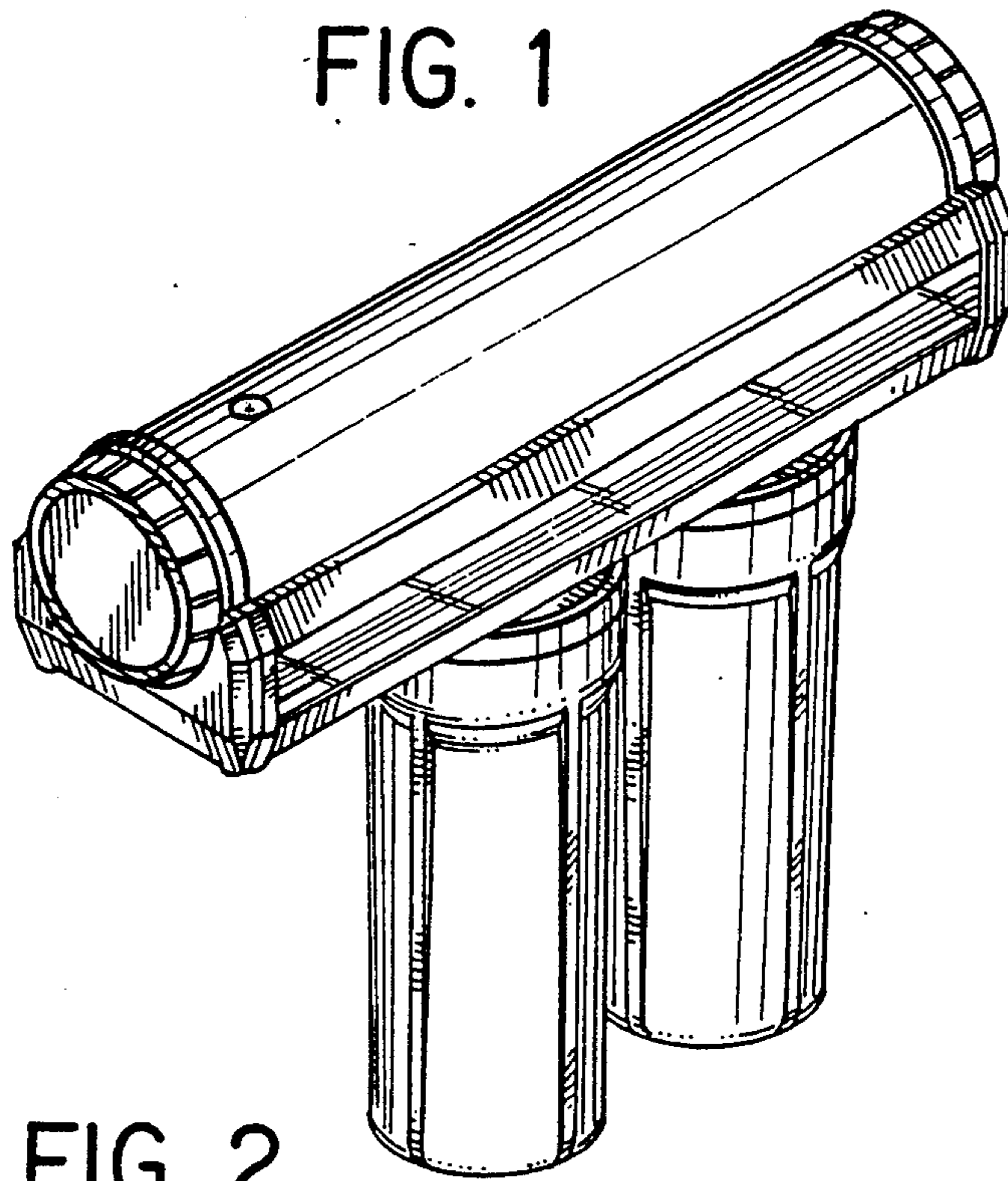


FIG. 2

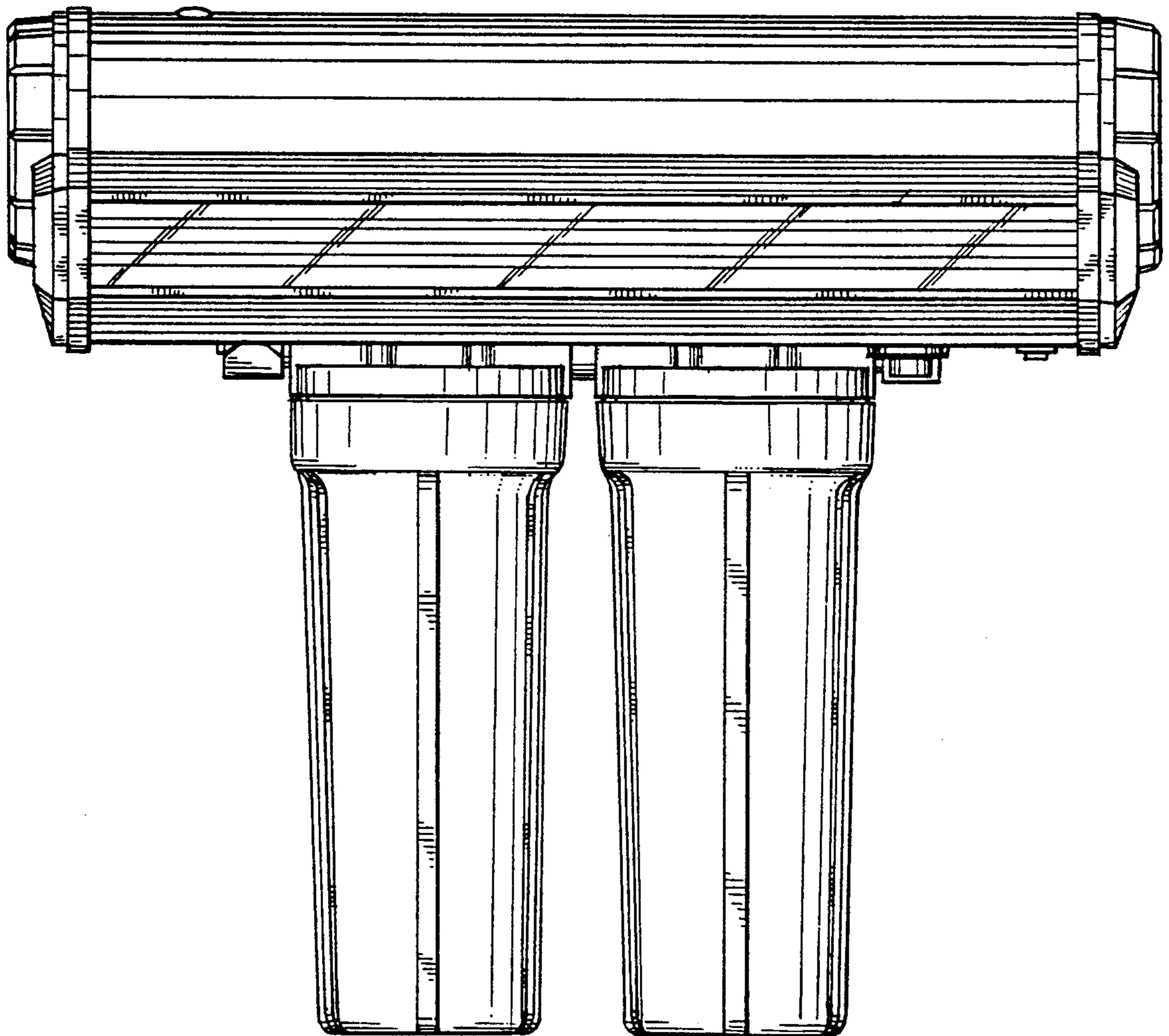


FIG. 3

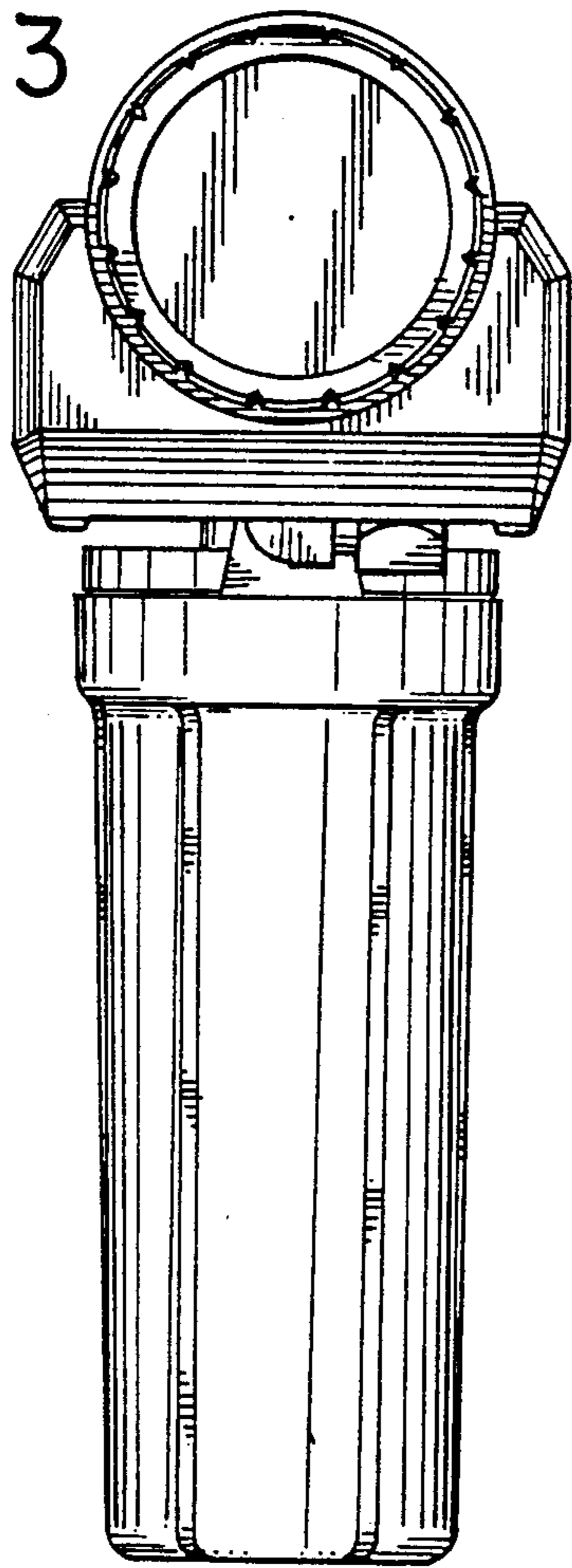


FIG. 4

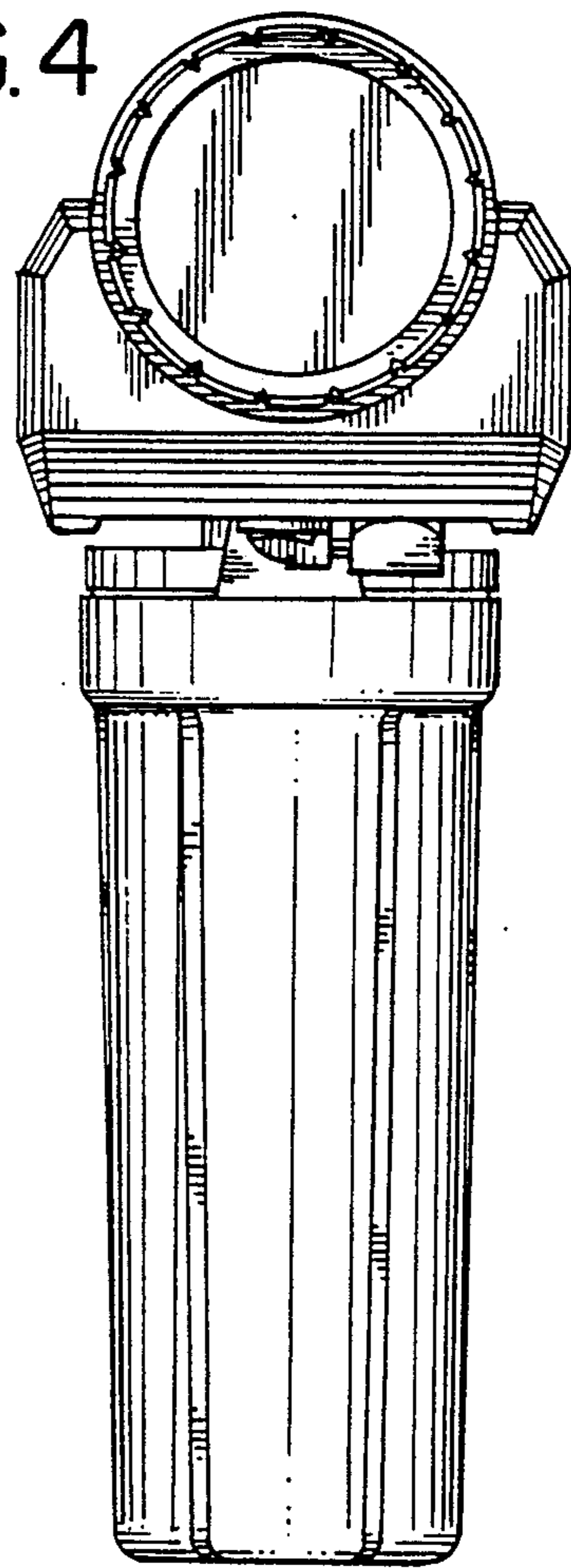


FIG. 5

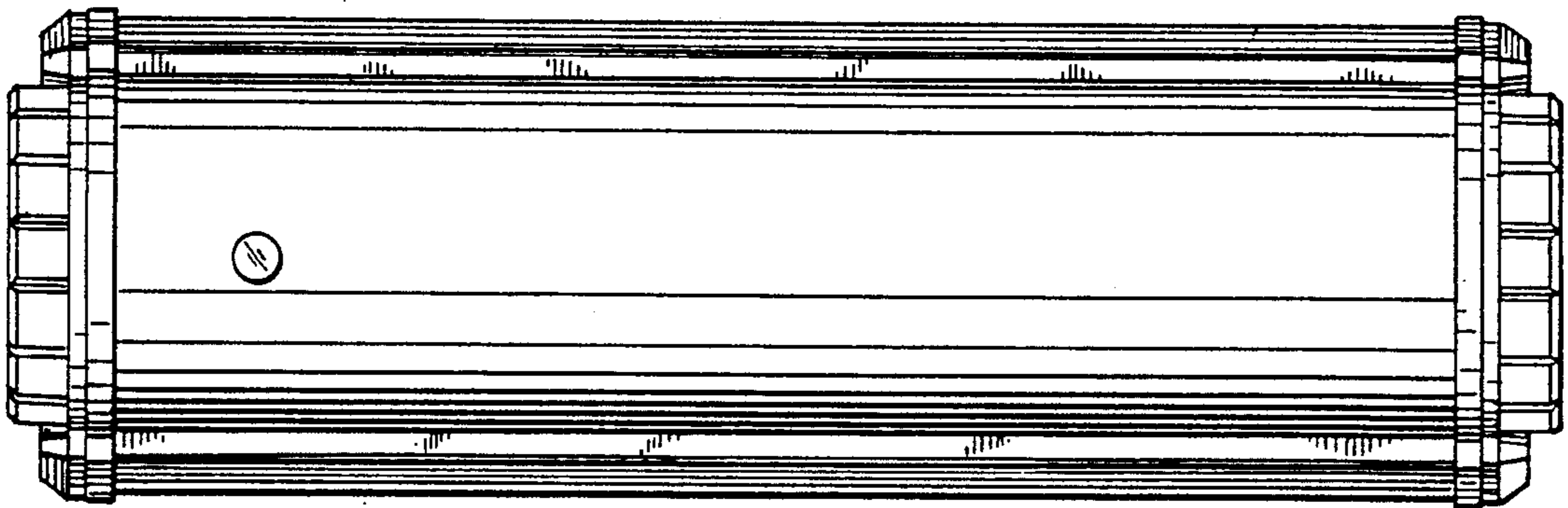


FIG. 6

