

[54] LINE CUTTING TOOL

[75] Inventor: Larry D. Banta, Hillsboro, Oreg.

[73] Assignee: LCD American, Inc., Hillsboro, Oreg.

[**] Term: 14 Years

[21] Appl. No.: 135,617

[22] Filed: Dec. 21, 1987

[52] U.S. Cl. D22/149; D22/134

[58] Field of Search D22/134, 149, 150, 199; D8/356, 98; 43/4, 25; 7/106; 114/218

[56] References Cited

U.S. PATENT DOCUMENTS

D. 200,582	3/1965	Klompus et al.	D22/149
3,112,726	12/1963	Faul	D8/356
3,521,393	7/1970	Gordon	43/25
3,825,961	7/1974	Klein	7/106
4,660,314	4/1987	Janssen et al.	43/4
4,726,140	2/1988	Mears	43/25
4,730,409	3/1988	Mitchell et al.	43/25

Primary Examiner—A. Hugo Word
Assistant Examiner—Doris V. Coles

Attorney, Agent, or Firm—Klarquist, Sparkman, Campbell, Leight & Whinston

[57] CLAIM

The ornamental design for a line cutting tool, as shown and described.

DESCRIPTION

FIG. 1 is a perspective view of a line cutting tool, showing my new design; the broken line depiction of a fishing rod shaft is for illustrative purposes only, and forms no part of the claimed design;

FIG. 2 is a top plan view thereof;

FIG. 3 is a right side elevational view thereof;

FIG. 4 is a front elevational view thereof;

FIG. 5 is a bottom plan view thereof;

FIG. 6 is a left side elevational view thereof; and

FIG. 7 is a rear elevational view thereof.

FIG. 8 is a right side elevational view of the tool portion of the line cutting tool;

FIG. 9 is a bottom plan view thereof;

FIG. 10 is a front elevational view thereof;

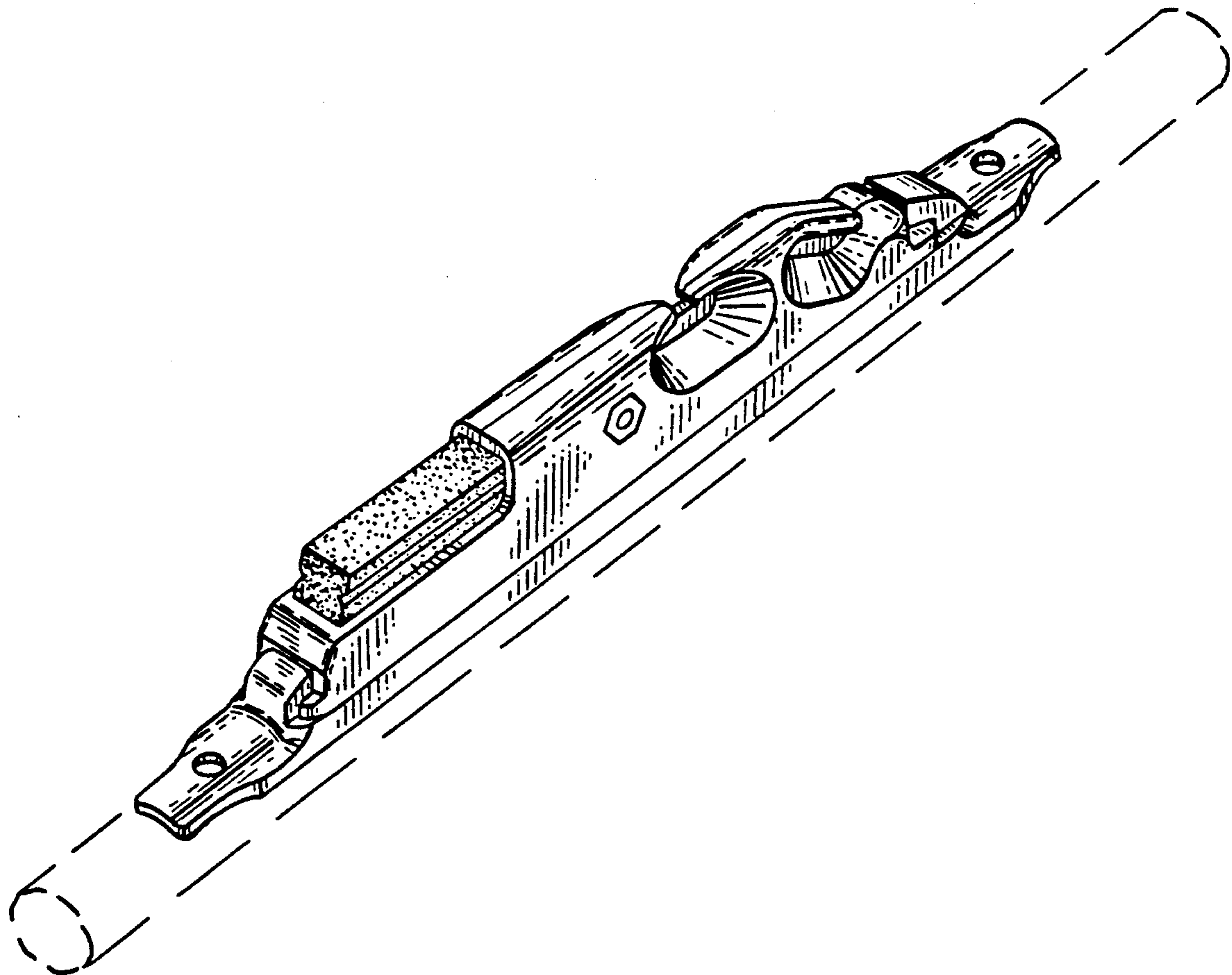
FIG. 11 is a rear elevational view thereof;

FIG. 12 is a right side elevational view of the base portion of the line cutting tool;

FIG. 13 is a top plan view thereof;

FIG. 14 is a front elevational view thereof;

FIG. 15 is a rear elevational view thereof.



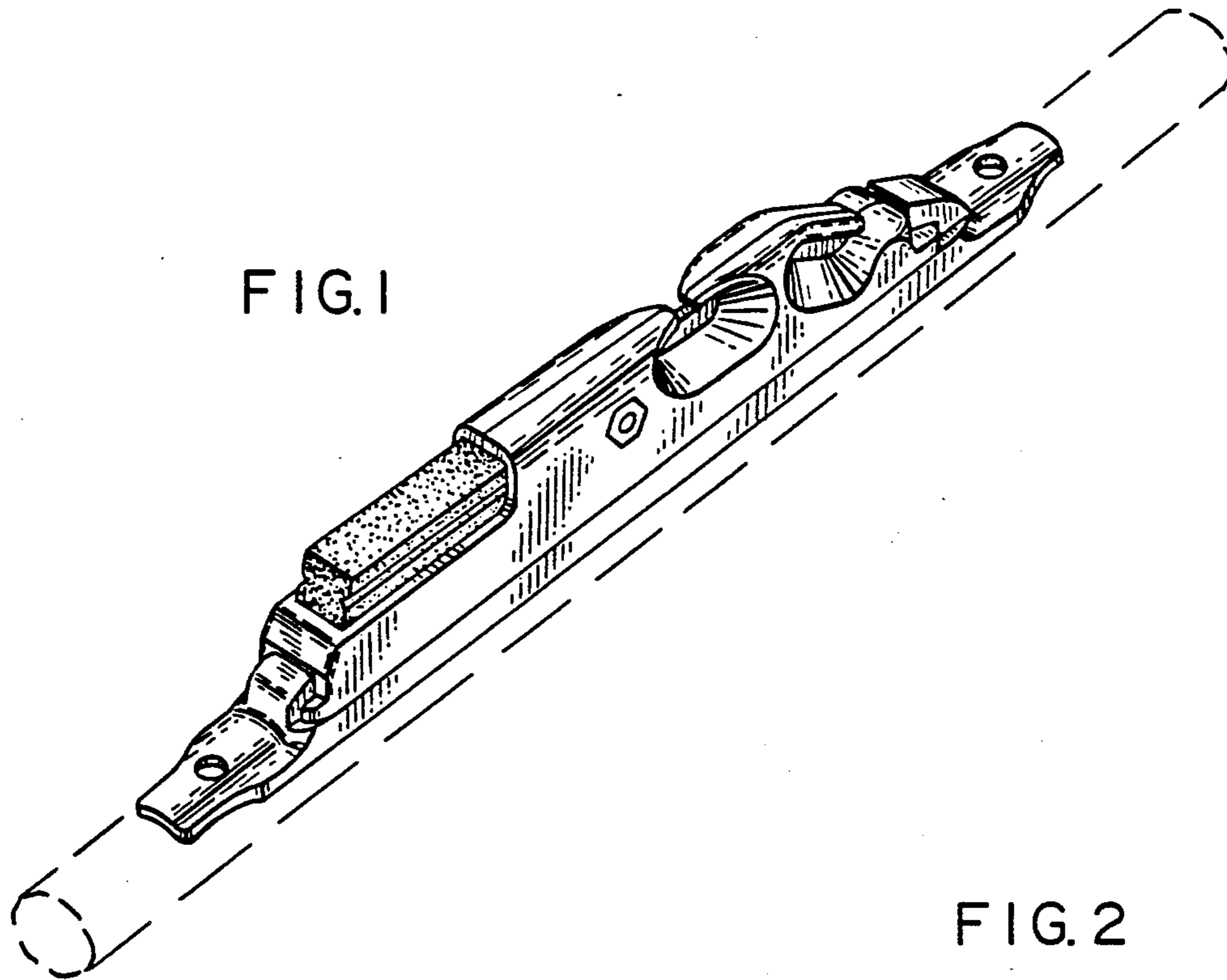


FIG. 1

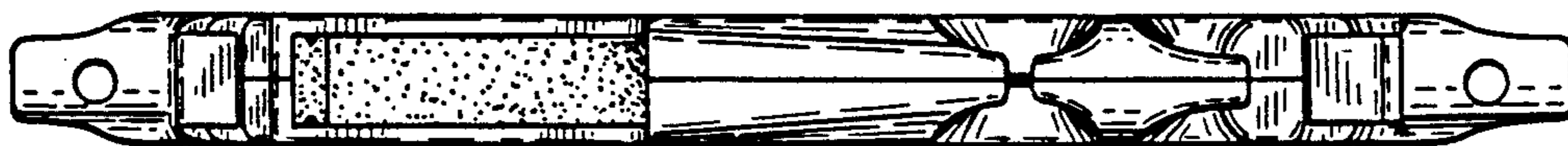


FIG. 2

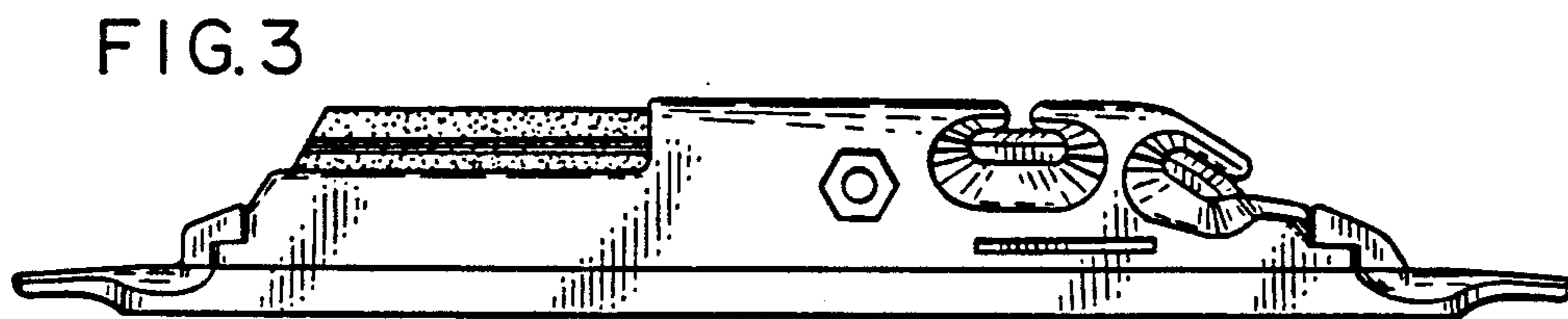


FIG. 3

FIG. 4

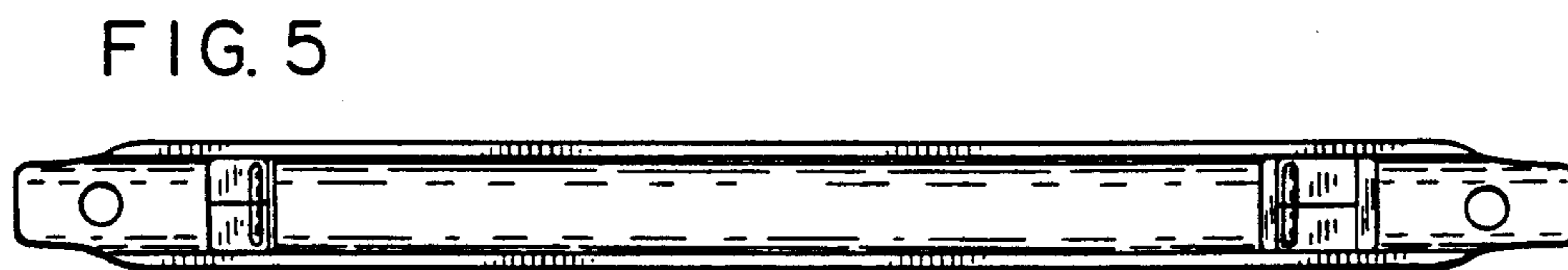


FIG. 5

FIG. 7

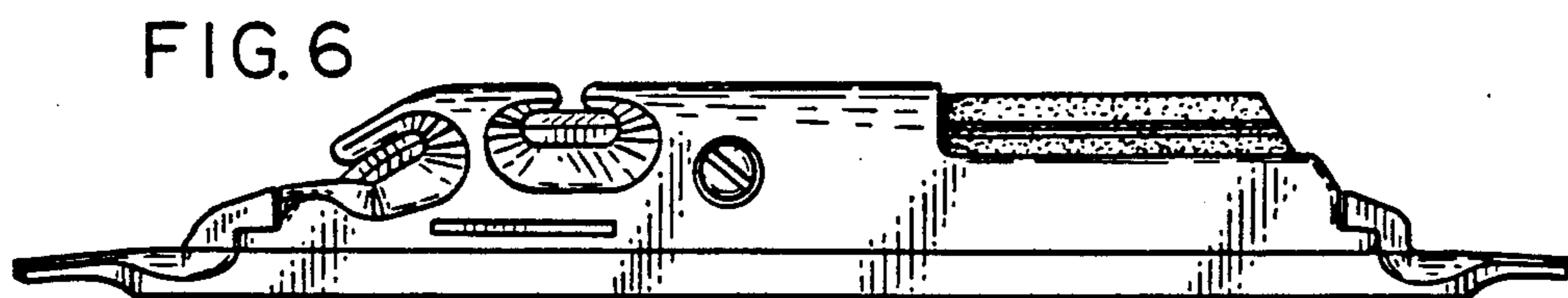


FIG. 6

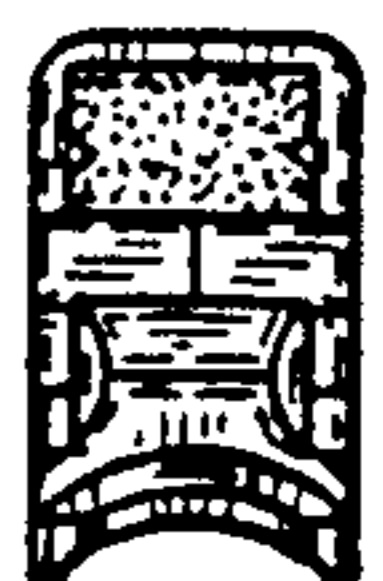


FIG. 8

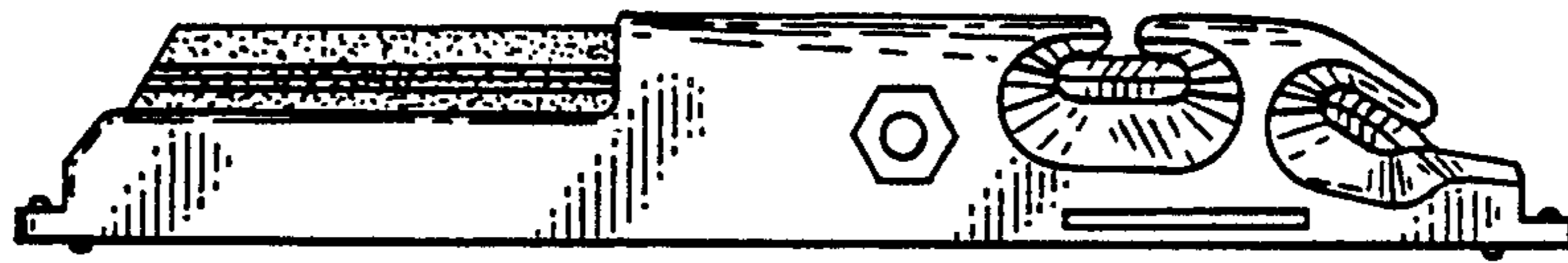


FIG. 9

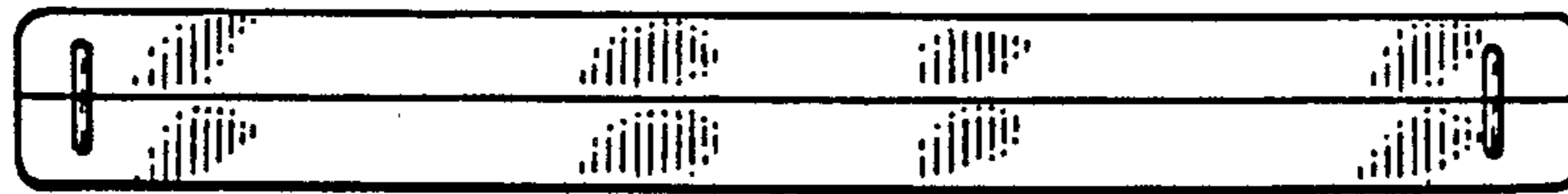


FIG. 10



FIG. 11



FIG. 12



FIG. 13



FIG. 14



FIG. 15

