

United States Patent [19]

Jackson et al.

[11] Patent Number: Des. 314,604

[45] Date of Patent: ** Feb. 12, 1991

[54] FISHING REEL

[75] Inventors: Dennis R. Jackson, Tulsa, Okla.;
Richard J. Robbins, Derby, Kans.

[73] Assignee: Zebco Corporation, Tulsa, Okla.

[**] Term: 14 Years

[21] Appl. No.: 225,012

[22] Filed: Jul. 27, 1988

[52] U.S. Cl. D22/141

[58] Field of Search D22/141, 140;
242/234-240

2,521,543 9/1950 Shakespeare et al. 242/235
3,074,665 1/1963 Morrow 242/240 X
4,154,413 5/1979 Hull 242/239

Primary Examiner—A. Hugo Word
Assistant Examiner—Doris V. Coles
Attorney, Agent, or Firm—Wood, Phillips, Mason,
Recktenwald & VanSanten

[57] CLAIM

The ornamental design for a fishing reel, as shown and described.

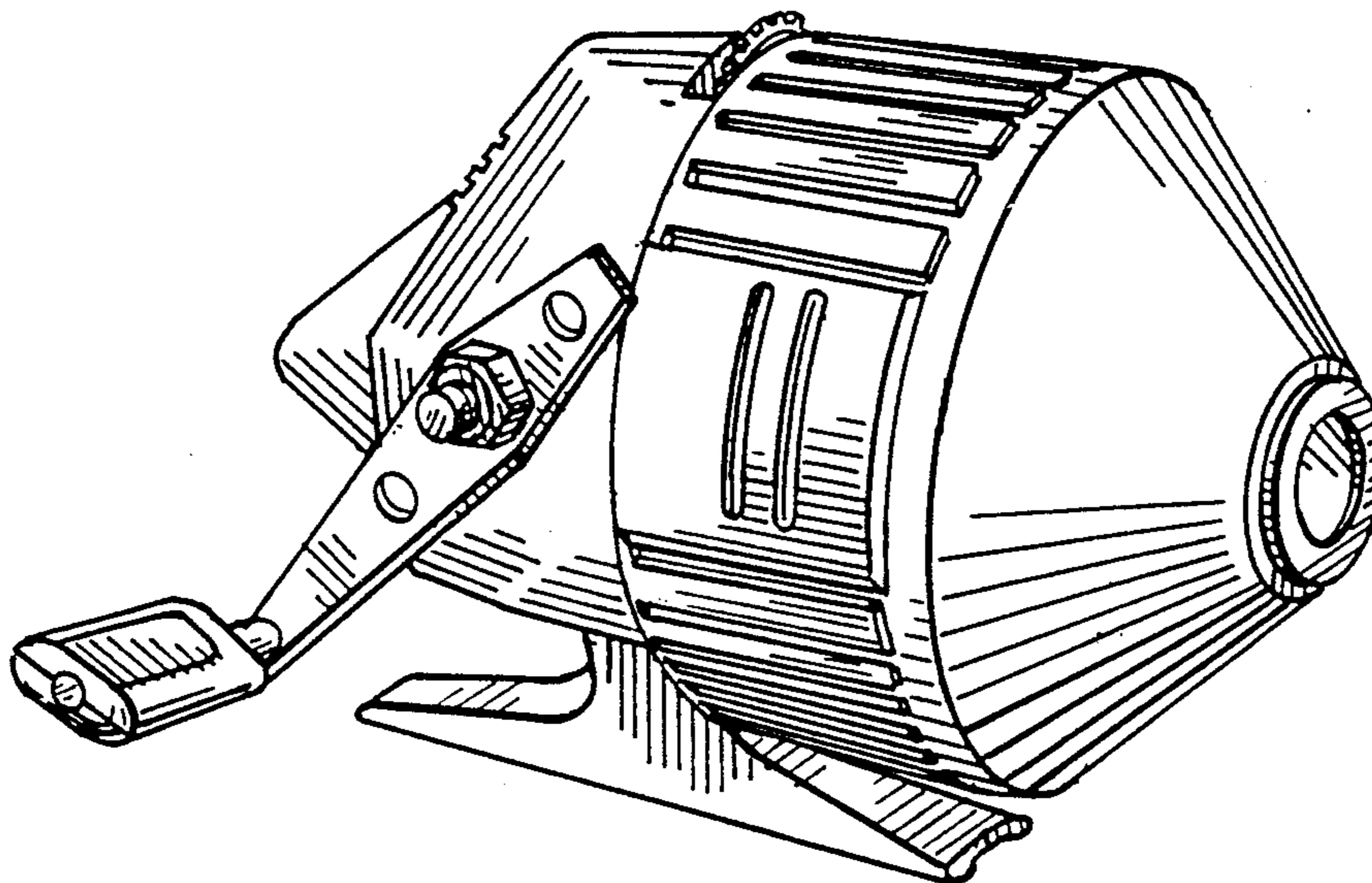
DESCRIPTION

FIG. 1 is a right side and front perspective view of a fishing reel, showing our new design;
FIG. 2 is a left side and rear perspective view thereof;
FIG. 3 is a right side elevational view thereof;
FIG. 4 is a front elevational view thereof;
FIG. 5 is a top plan view thereof;
FIG. 6 is a left side elevational view thereof;
FIG. 7 is a rear elevational view thereof; and
FIG. 8 is a bottom plan view thereof.

[56] References Cited

U.S. PATENT DOCUMENTS

D. 213,620 3/1969 Velte, Jr. D22/141
D. 273,220 3/1984 Iinuma et al. D22/141
D. 273,884 5/1984 Fee et al. D22/141
D. 273,885 5/1984 Robbins D22/141
D. 276,254 11/1984 Robbins D22/141
D. 280,540 9/1985 Robbins et al. D22/141



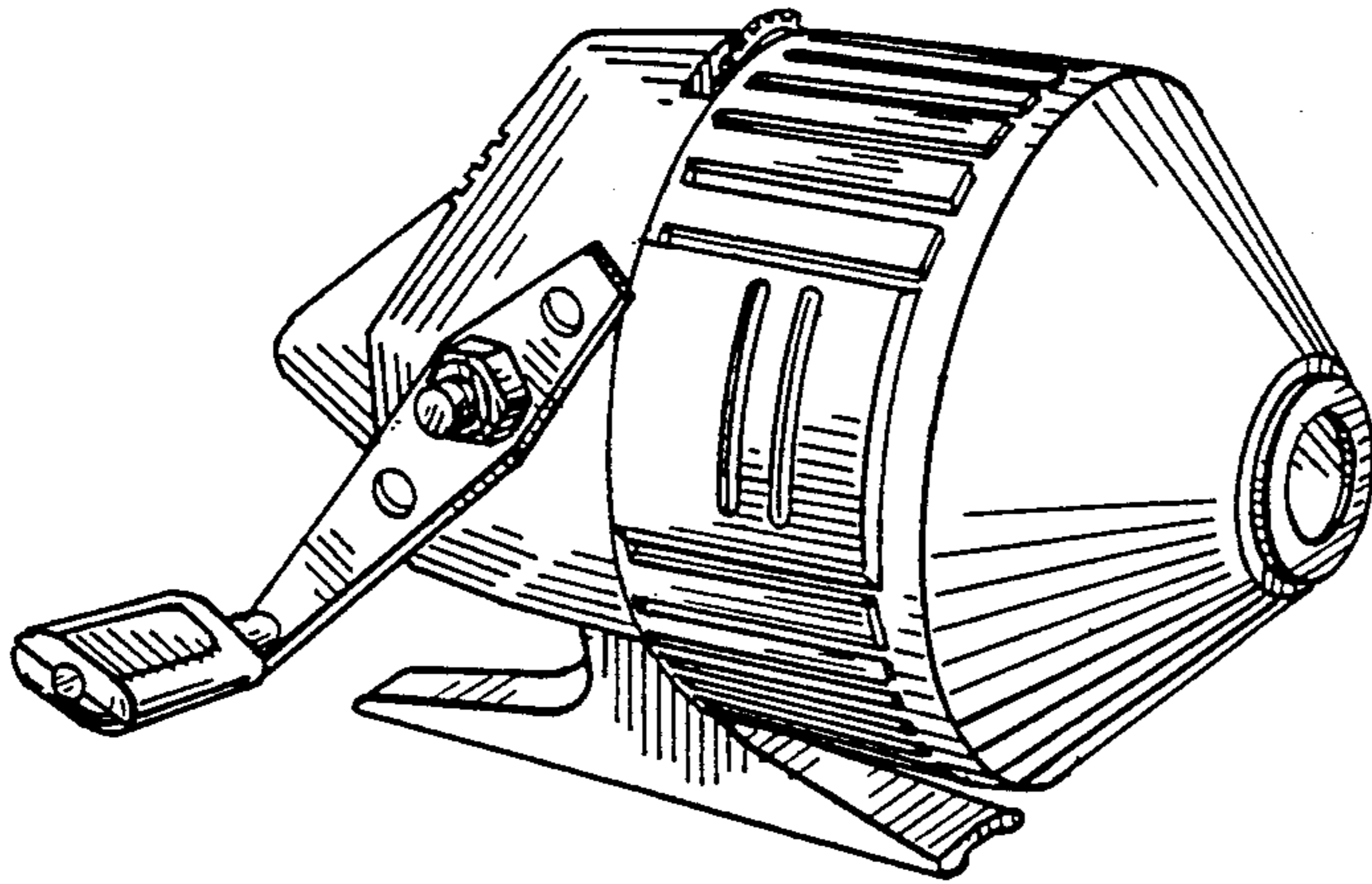


Fig. 1

Fig. 2

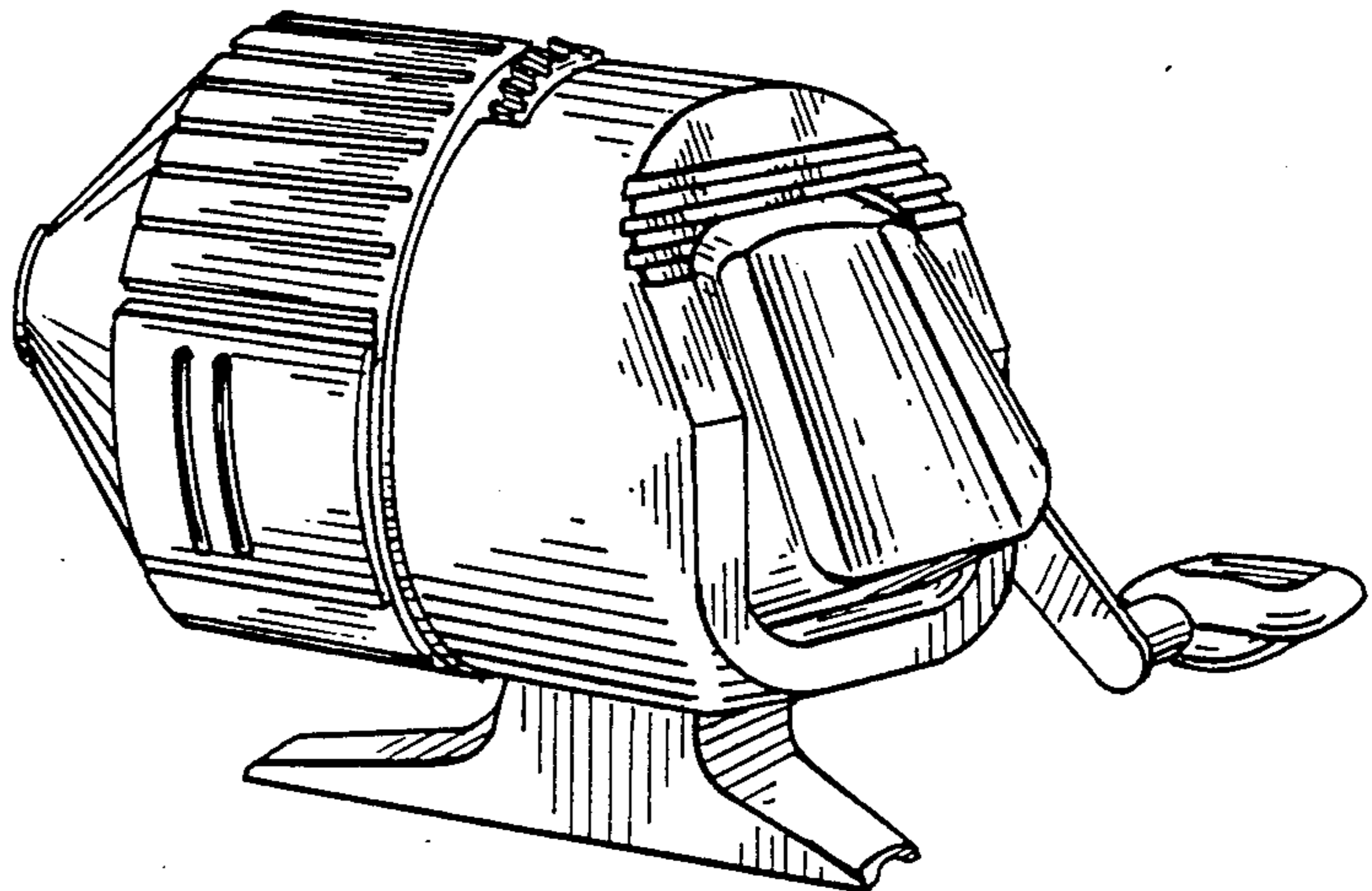


Fig. 3

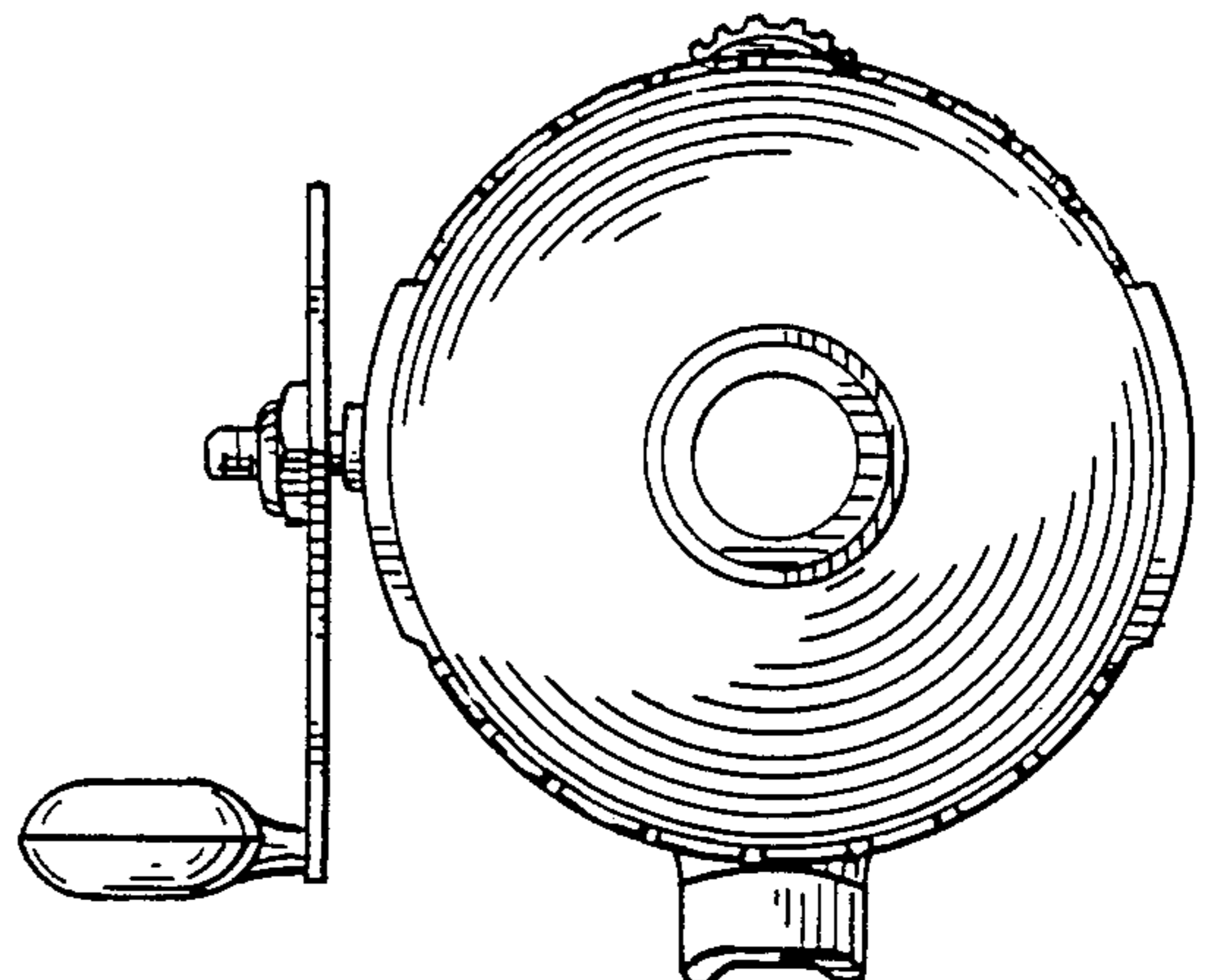
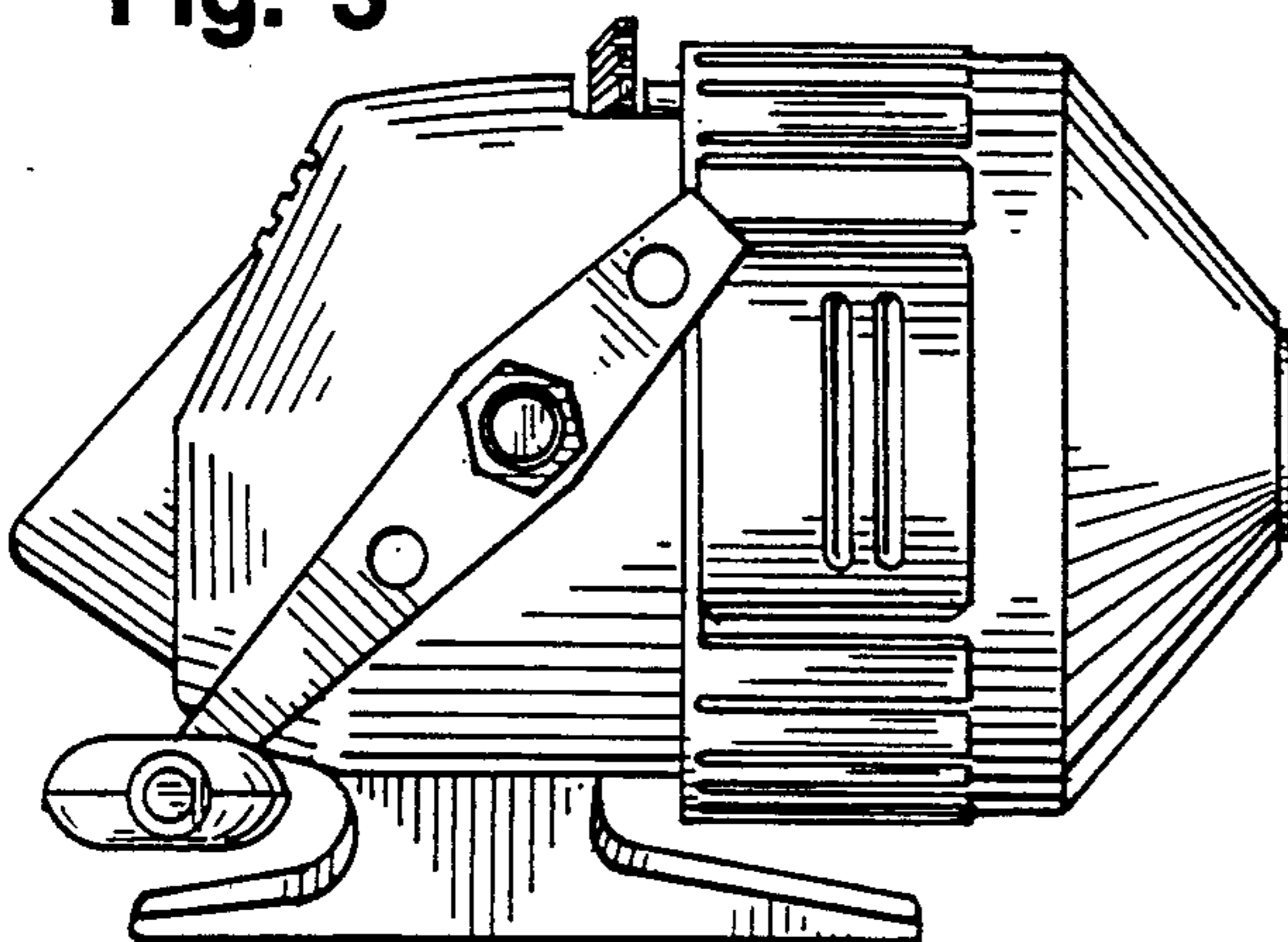


Fig. 4

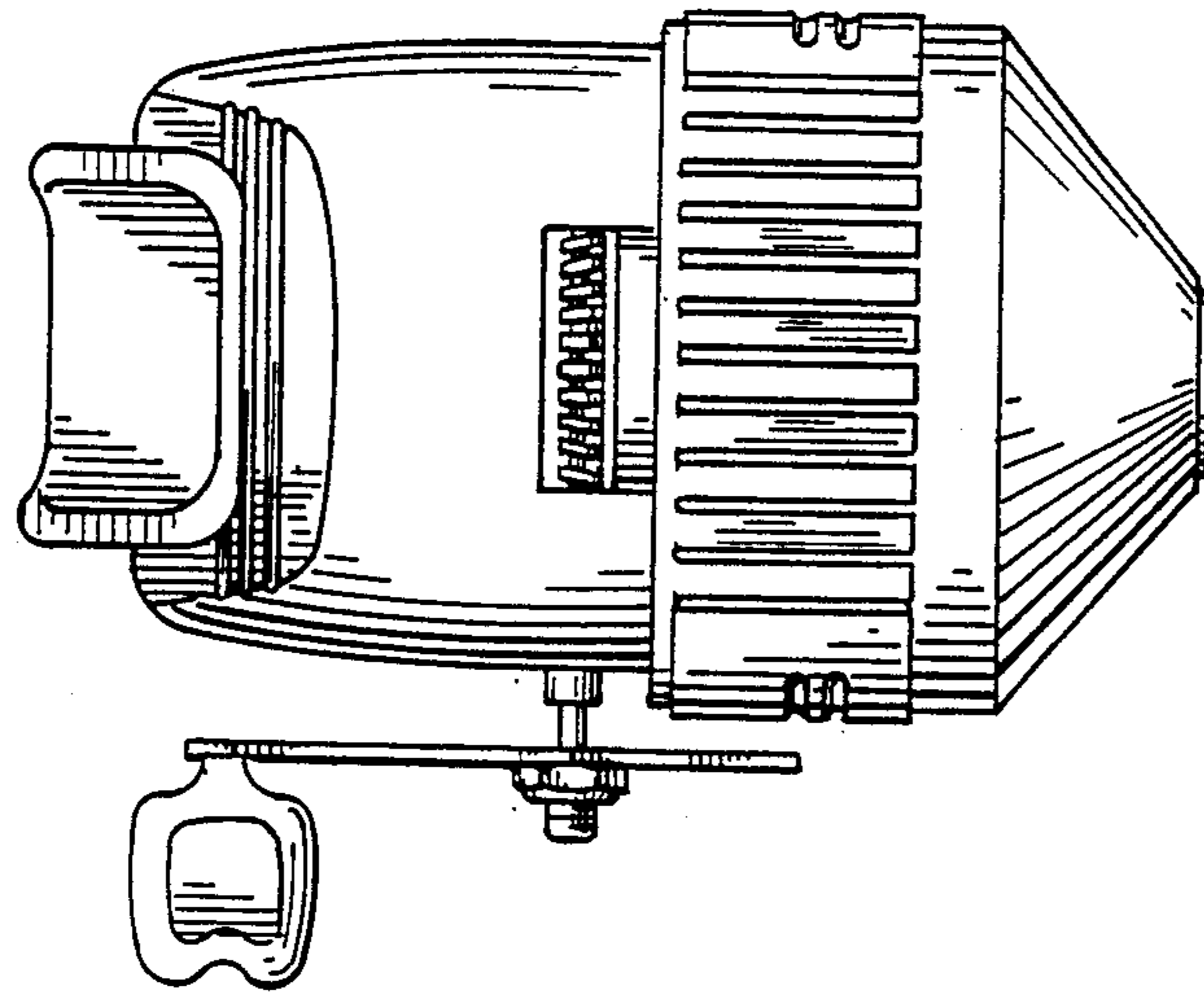


Fig. 5

Fig. 6

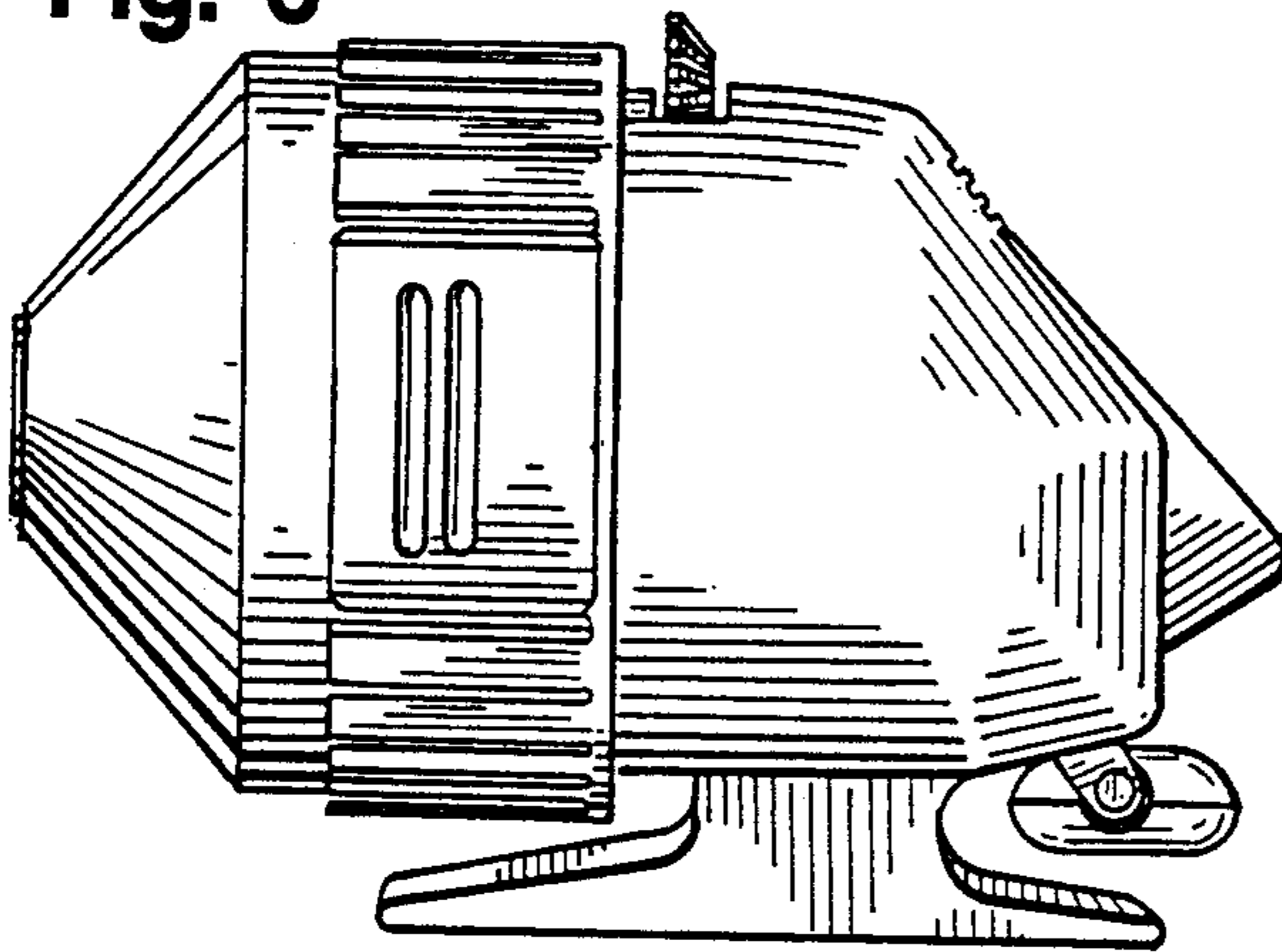


Fig. 7

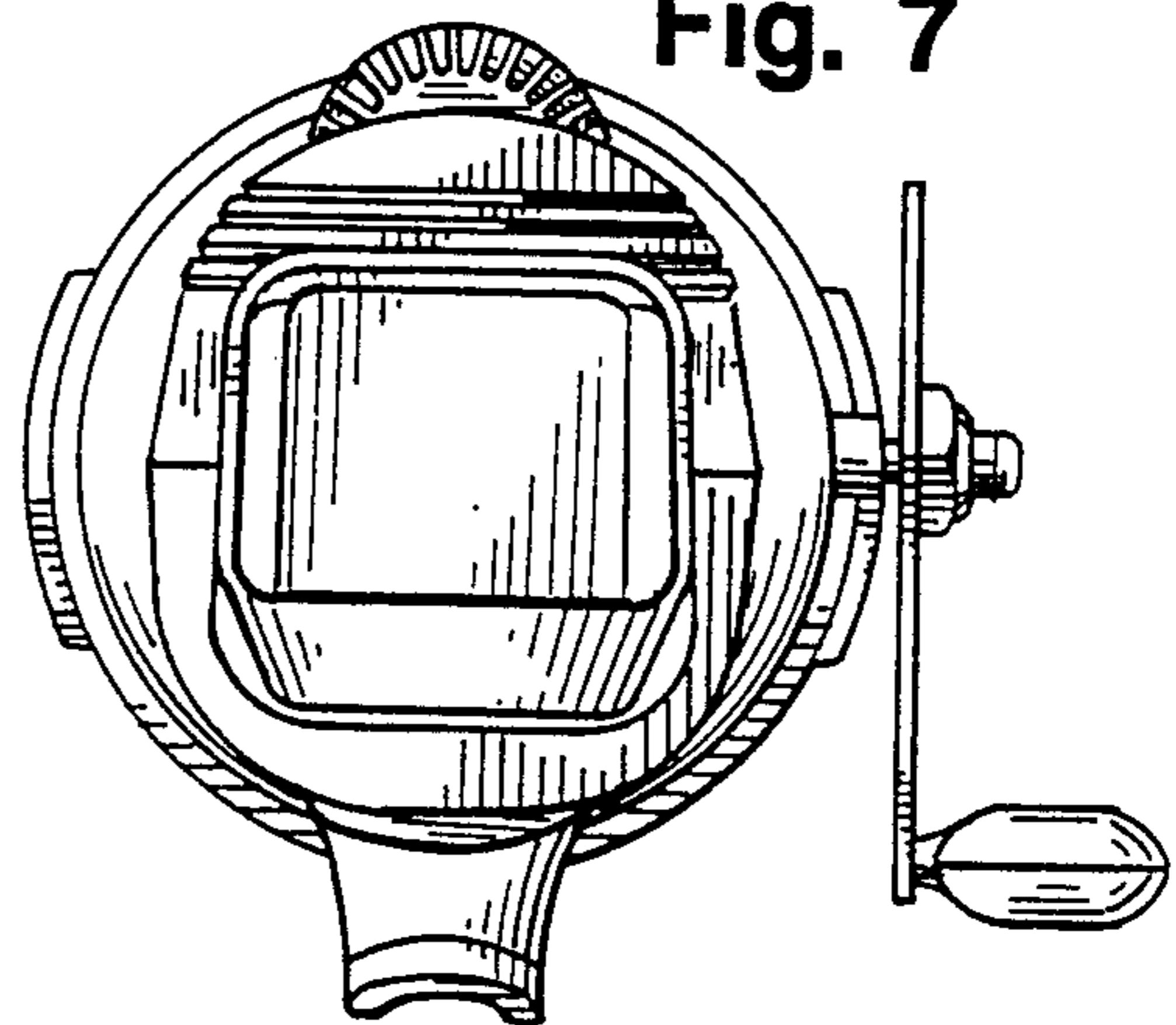


Fig. 8

