

[54] **LOW IMPACT STAIR CLIMBING EXERCISE APPARATUS**

[75] **Inventors:** Timothy O. Armstrong, Bellevue, Wash.; John W. Bull, Irvine, Calif.; David B. Smith, Bellevue, Wash.

[73] **Assignee:** Precor Incorporated, Bothell, Wash.

[**] **Term:** 14 Years

[21] **Appl. No.:** 307,373

[22] **Filed:** Feb. 9, 1989

Related U.S. Application Data

[63] Continuation-in-part of Ser. No. 109,103, Oct. 21, 1987, Pat. No. D. 304,358, which is a continuation-in-part of Ser. No. 12,119, Feb. 6, 1987, Pat. No. D. 302,451.

[52] **U.S. Cl.** **D21/195**

[58] **Field of Search** **D21/191-199;**
272/69, 70, 72, 97, 129, 134, 70.2, 130

[56] **References Cited**

U.S. PATENT DOCUMENTS

D. 251,313	3/1979	Jinotti	D21/194
D. 280,922	10/1985	Sieder	D21/191
D. 298,845	12/1988	Giger	D21/191
D. 302,451	7/1989	Bull et al.	D21/195
326,247	9/1885	Root .	
1,176,365	3/1916	Hartnett .	
1,521,487	12/1924	Turner .	
2,079,594	5/1937	Clem .	
2,253,996	8/1941	Bechman .	
2,969,060	1/1961	Swanda et al. .	
3,495,824	2/1970	Cuinier .	
3,511,500	5/1970	Dunn .	
3,529,474	9/1970	Olson et al. .	
3,582,069	6/1971	Flick et al. .	
3,587,319	6/1971	Andrews .	
3,598,404	8/1971	Bowman .	
3,628,791	12/1971	Garcia .	
3,747,924	7/1973	Champoux .	
3,756,595	9/1973	Hague .	

3,758,112	9/1973	Crum et al. .
3,759,511	9/1973	Zinkin et al. .
3,792,860	2/1974	Selnes .
3,814,420	6/1974	Encke .
3,970,302	7/1976	McFee .
3,976,058	8/1976	Tidwell .
4,336,934	6/1982	Hanagan et al. .
4,550,908	11/1985	Dixon .
4,600,187	7/1986	Schenker .
4,618,139	10/1986	Haaheim .
4,650,181	3/1987	Yang .
4,659,075	4/1987	Wilkinson .
4,676,501	6/1987	Hoagland et al. .
4,681,316	7/1987	DeCloux . .
4,684,126	8/1987	Dalebout et al. .
4,708,338	11/1987	Potts .
4,733,858	3/1988	Lan .

FOREIGN PATENT DOCUMENTS

0073744	3/1983	European Pat. Off. .
523174	4/1931	Fed. Rep. of Germany .
2243794	9/1972	Fed. Rep. of Germany .
2919494	11/1980	Fed. Rep. of Germany .
197806	12/1976	Netherlands .
WO86/02008	4/1986	PCT Int'l Appl. .
593-703	2/1978	U.S.S.R. .
2010101	6/1979	United Kingdom .

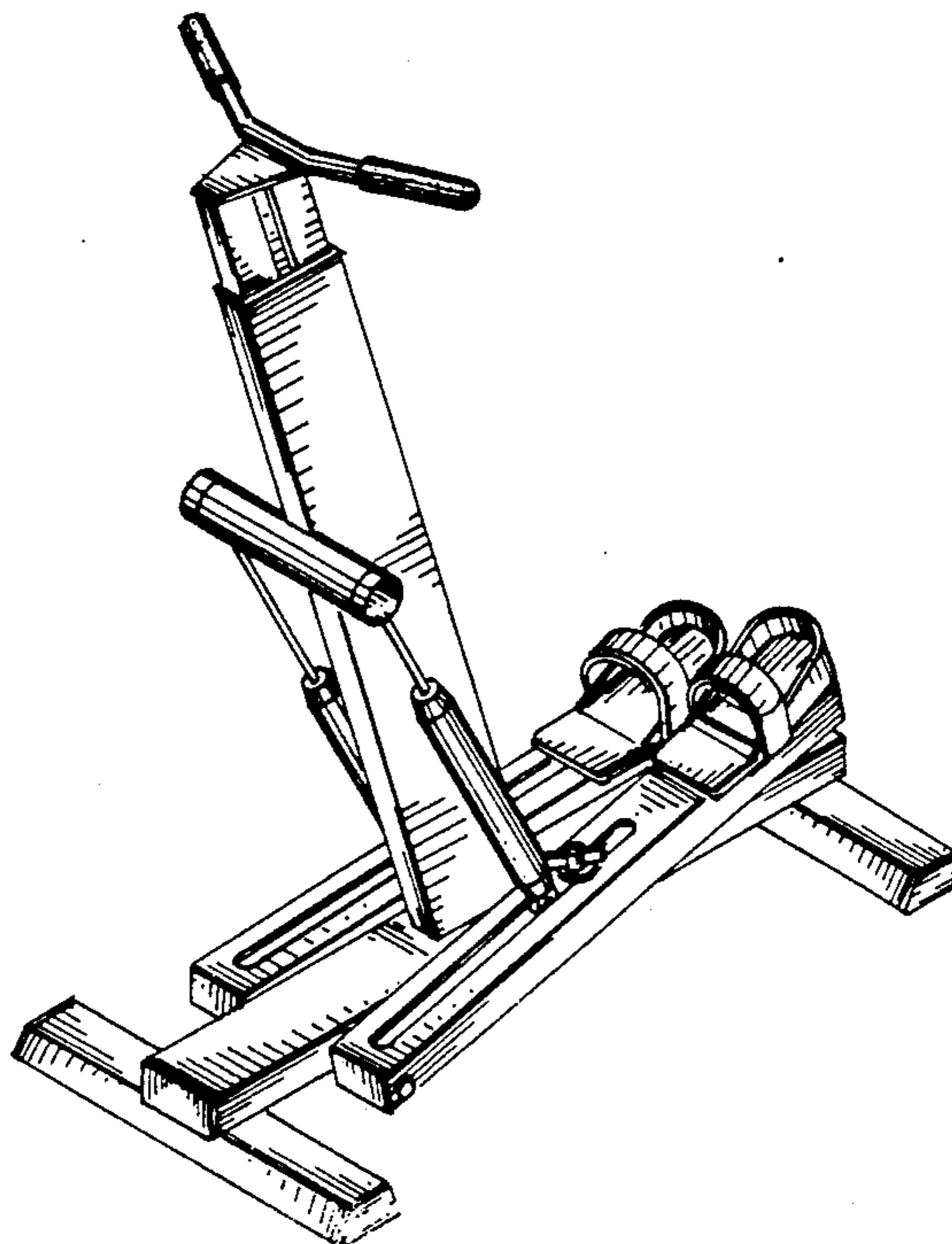
Primary Examiner—Charles A. Rademaker
Attorney, Agent, or Firm—Christensen, O'Connor, Johnson & Kindness

[57] **CLAIM**

The ornamental design for a low impact stair climbing exercise apparatus, as shown and described.

DESCRIPTION

FIG. 1 is a front perspective view of a low impact stair climbing exercise apparatus showing our new design; FIG. 2 is a side elevational view thereof, the side opposite being substantially a mirror image; FIG. 3 is a front elevational view thereof; FIG. 4 is a rear elevational view thereof; FIG. 5 is a top plan view thereof; and, FIG. 6 is a bottom plan view thereof;



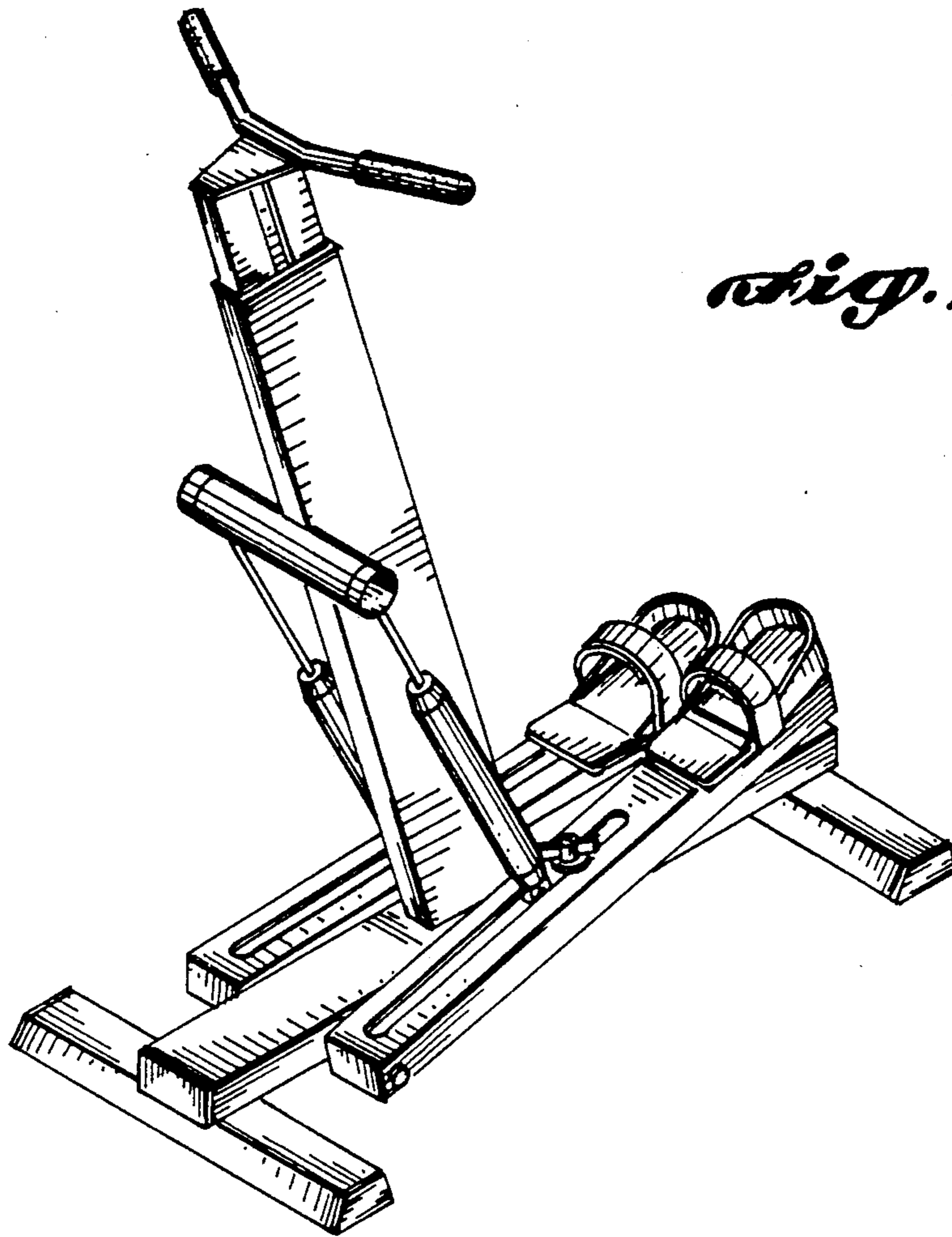
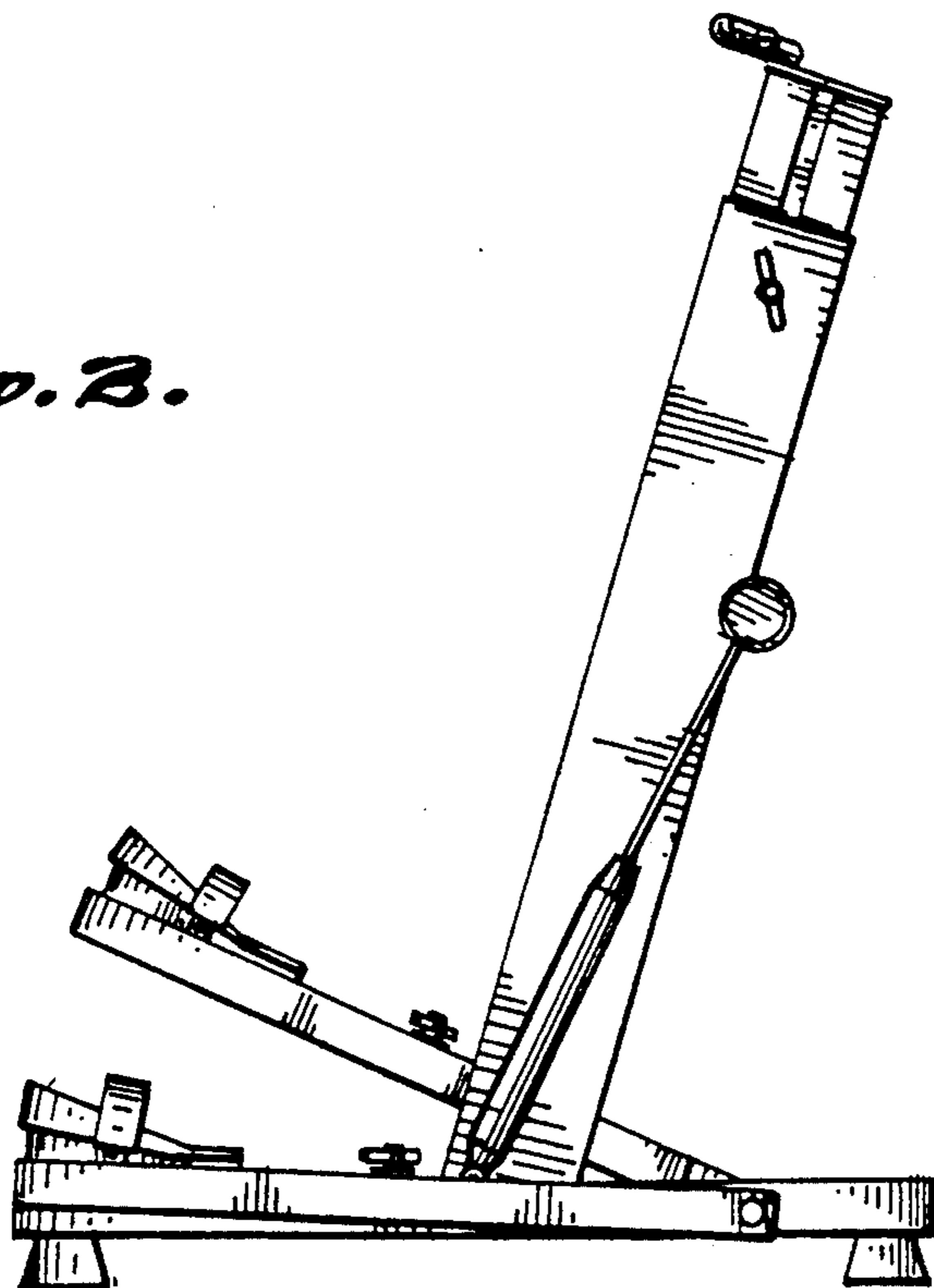


Fig. 1.

Fig. 2.



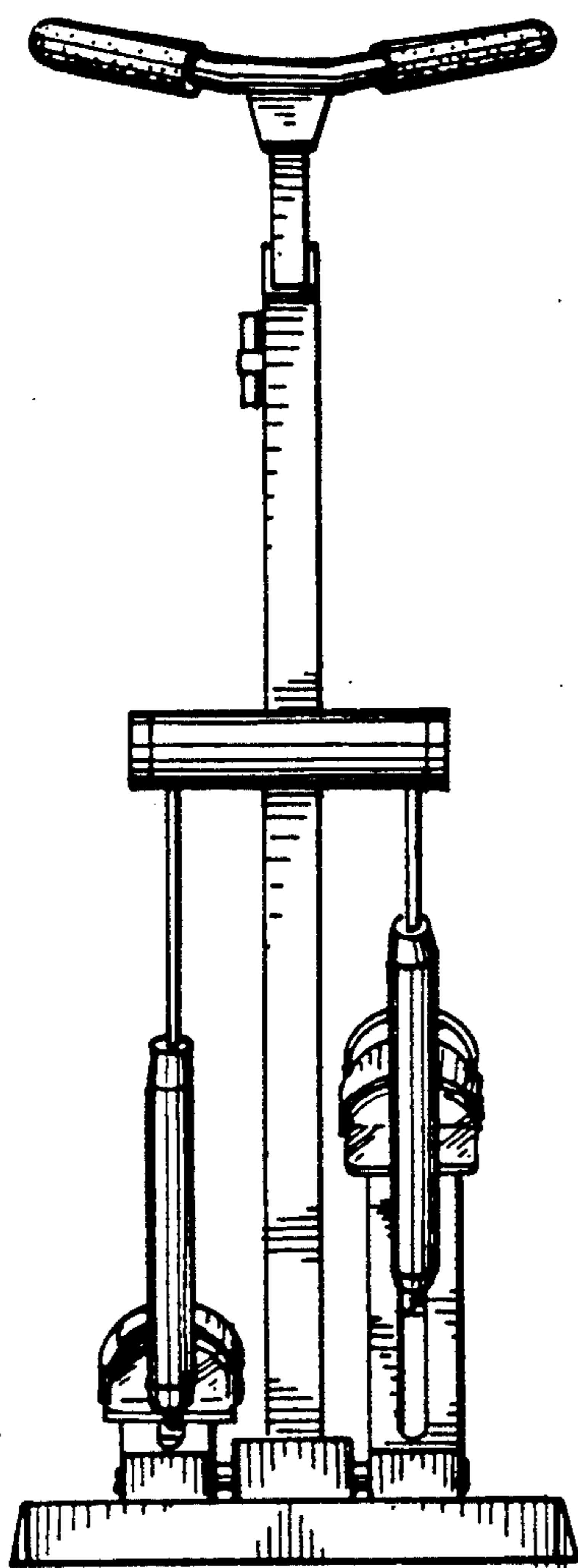


Fig. 3.

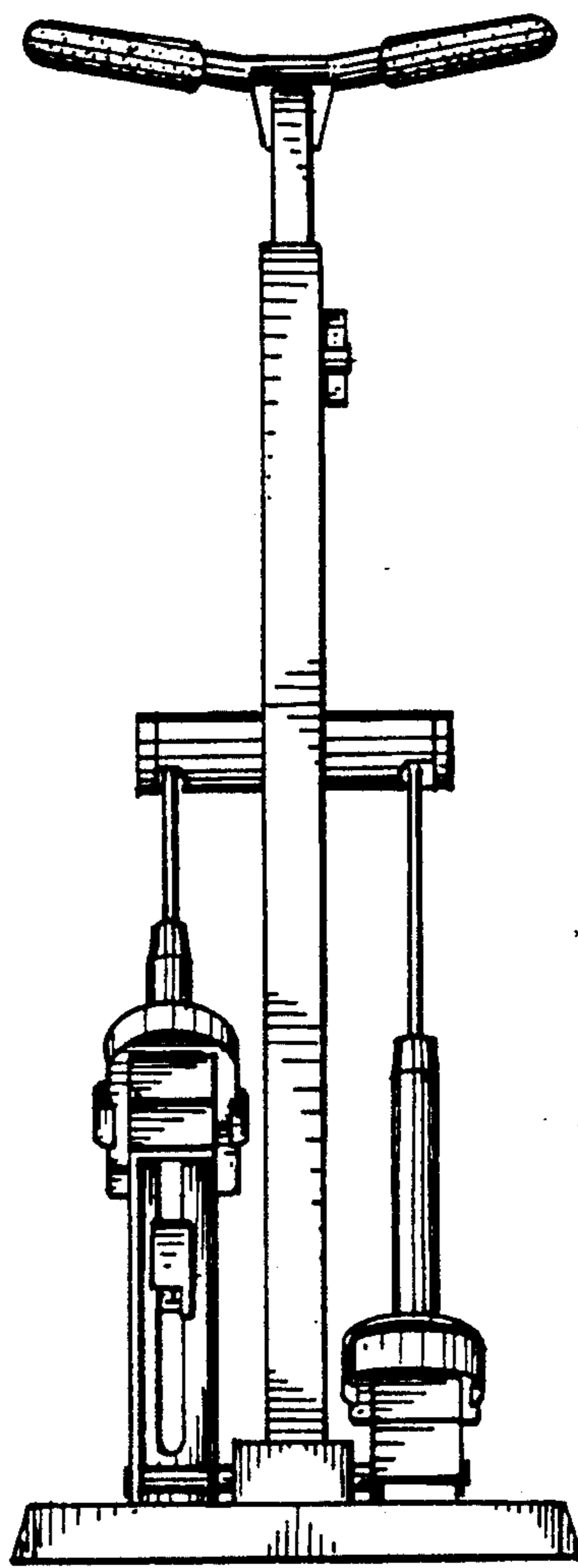


Fig. 4.

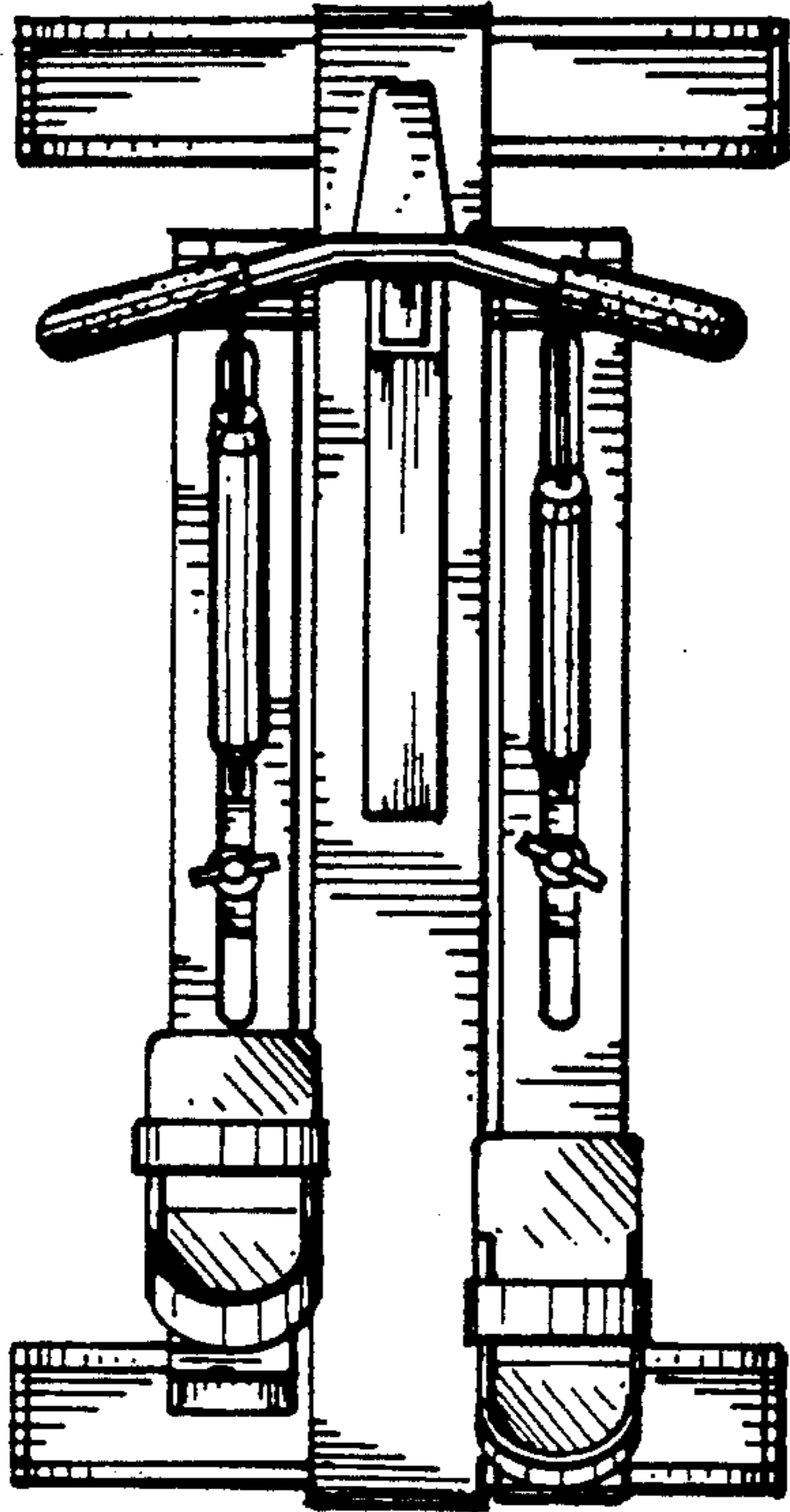


Fig. 5.

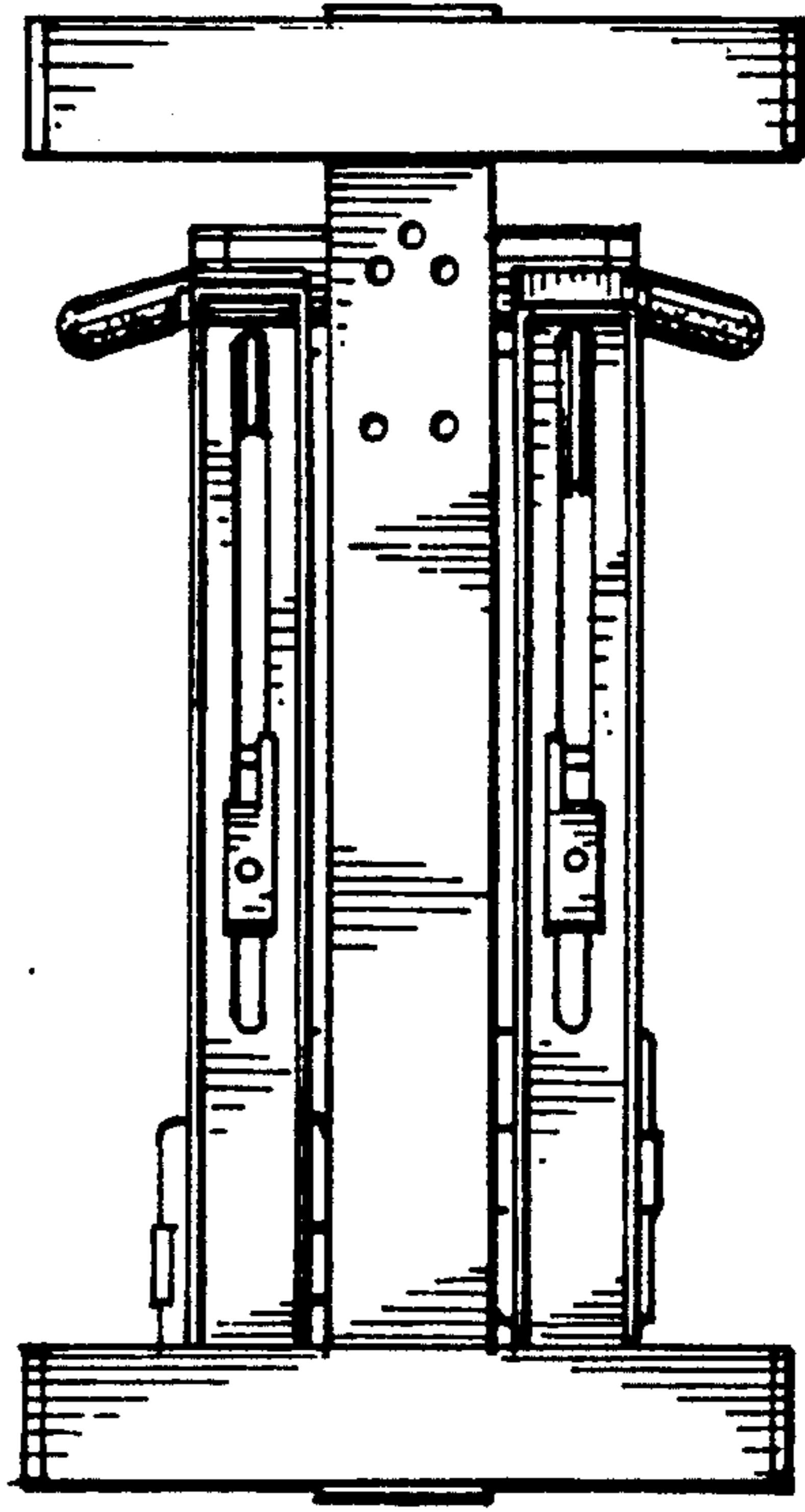


Fig. 6.

UNITED STATES PATENT AND TRADEMARK OFFICE
CERTIFICATE OF CORRECTION

PATENT NO. : Des. 314,597

DATED : February 12, 1991

Page 1 of 5

INVENTOR(S) : Timothy O. Armstrong et al.

It is certified that error appears in the above-identified patent and that said Letters Patent is hereby corrected as shown below:

On the title page:

The title page showing the illustrative figure should be deleted to appear as per the attached title page.

Sheets 1-3 of the drawings should be deleted to be replaced with Sheets 1-3 of drawings, consisting of Figs. 1-6, as shown on the attached pages.

**Signed and Sealed this
Seventh Day of January, 1992**

Attest:

HARRY F. MANBECK, JR.

Attesting Officer

Commissioner of Patents and Trademarks

United States Patent [19]

Armstrong et al.

[11] **Patent Number: Des. 314,597**

[45] **Date of Patent: ** Feb. 12, 1991**

[54] **LOW IMPACT STAIR CLIMBING EXERCISE APPARATUS**

[75] **Inventors: Timothy O. Armstrong, Bellevue, Wash.; John W. Bull, Irvine, Calif.; David B. Smith, Bellevue, Wash.**

[73] **Assignee: Precor Incorporated, Bothell, Wash.**

[**] **Term: 14 Years**

[21] **Appl. No.: 307,373**

[22] **Filed: Feb. 9, 1989**

Related U.S. Application Data

[63] Continuation-in-part of Ser. No. 109,103, Oct. 21, 1987, Pat. No. D. 304,358, which is a continuation-in-part of Ser. No. 12,119, Feb. 6, 1987, Pat. No. D. 302,451.

[52] **U.S. Cl. D21/195**

[58] **Field of Search D21/191-199; 272/69, 70, 72, 97, 129, 134, 70.2, 130**

[56] **References Cited**

U.S. PATENT DOCUMENTS

D. 251,313	3/1979	Jinotti	D21/194
D. 280,922	10/1985	Sieder	D21/191
D. 298,845	12/1988	Giger	D21/191
D. 302,451	7/1989	Buil et al.	D21/195
326,247	9/1885	Root	
1,176,365	3/1916	Hartnett	
1,521,487	12/1924	Turner	
2,079,594	5/1937	Clem	
2,253,996	8/1941	Bechman	
2,969,060	1/1961	Swanda et al.	
3,495,824	2/1970	Cuinier	
3,511,500	5/1970	Dunn	
3,529,474	9/1970	Olson et al.	
3,582,069	6/1971	Flick et al.	
3,587,319	6/1971	Andrews	
3,598,404	8/1971	Bowman	
3,628,791	12/1971	Garcia	
3,747,924	7/1973	Champoux	
3,756,595	9/1973	Hague	

3,758,112	9/1973	Crum et al.
3,759,511	9/1973	Zinkin et al.
3,792,860	2/1974	Selnes
3,814,420	6/1974	Encke
3,970,302	7/1976	McFee
3,976,058	8/1976	Tidwell
4,336,934	6/1982	Hanagan et al.
4,550,908	11/1985	Dixon
4,600,187	7/1986	Schenker
4,618,139	10/1986	Haaheim
4,650,181	3/1987	Yang
4,659,075	4/1987	Wilkinson
4,676,501	6/1987	Hoagland et al.
4,681,316	7/1987	DeCloux
4,684,126	8/1987	Dalebout et al.
4,708,338	11/1987	Potts
4,733,858	3/1988	Lan

FOREIGN PATENT DOCUMENTS

0073744	3/1983	European Pat. Off.
523174	4/1931	Fed. Rep. of Germany
2243794	9/1972	Fed. Rep. of Germany
2919494	11/1980	Fed. Rep. of Germany
197806	12/1976	Netherlands
WO86/02008	4/1986	PCT Int'l Appl.
593-703	2/1978	U.S.S.R.
2010101	6/1979	United Kingdom

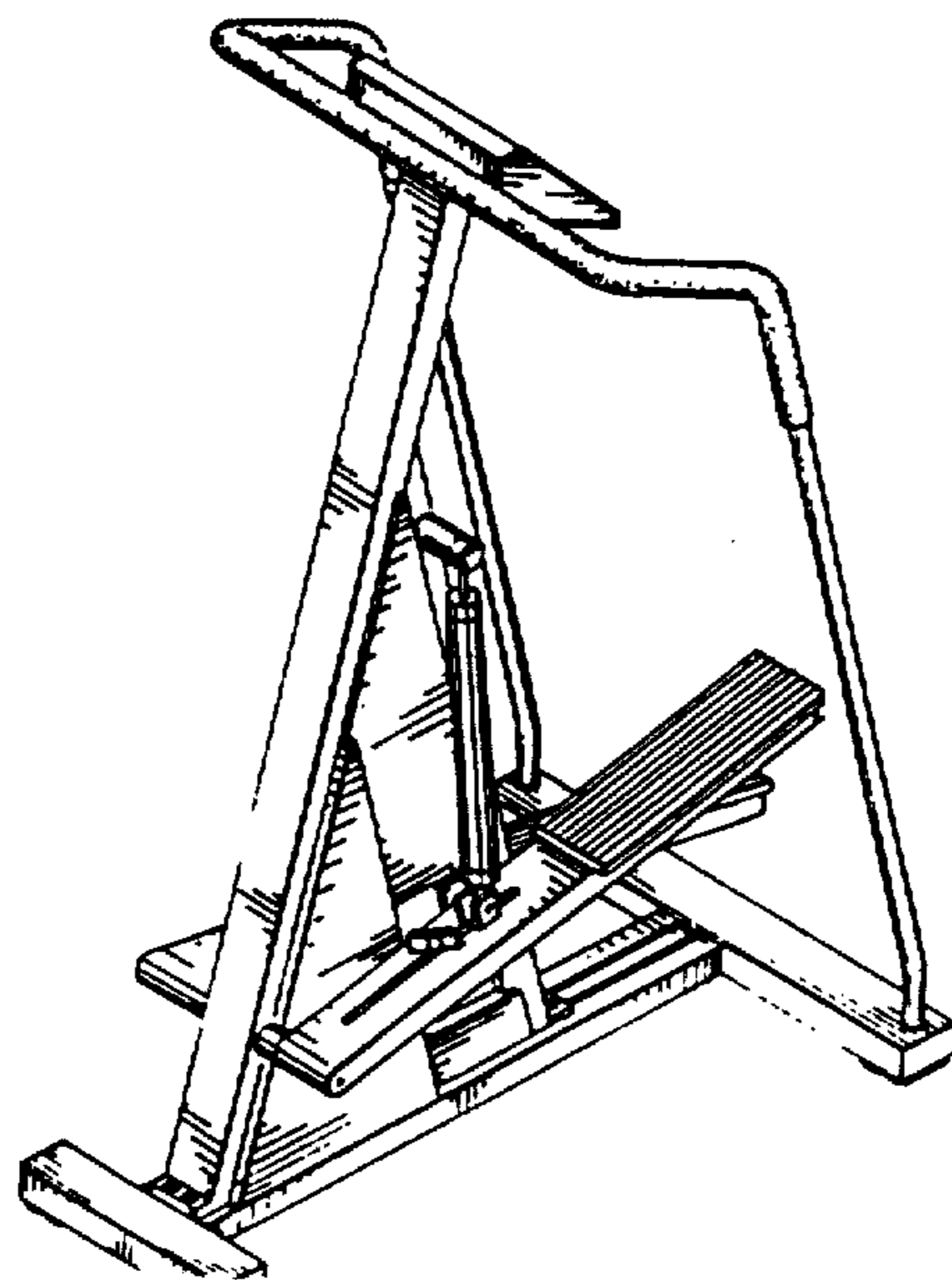
Primary Examiner—Charles A. Rademaker
Attorney, Agent, or Firm—Christensen, O'Connor, Johnson & Kindness

[57] **CLAIM**

The ornamental design for a low impact stair climbing exercise apparatus, as shown and described.

DESCRIPTION

FIG. 1 is a front perspective view of a low impact stair climbing exercise apparatus showing our new design; FIG. 2 is a side elevational view thereof, the side opposite being substantially a mirror image; FIG. 3 is a front elevational view thereof; FIG. 4 is a rear elevational view thereof; FIG. 5 is a top plan view thereof; and, FIG. 6 is a bottom plan view thereof;



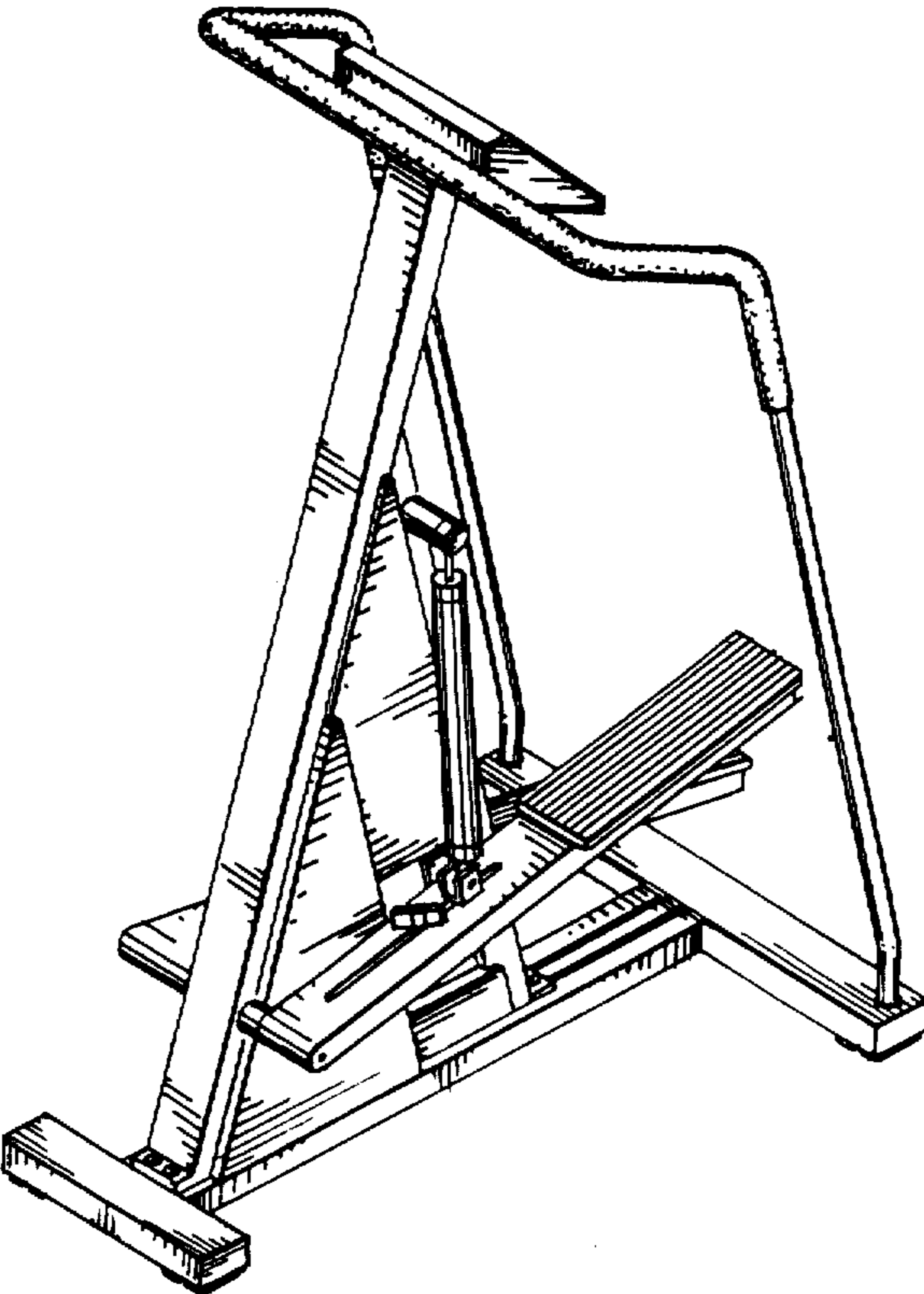


Fig. 1.

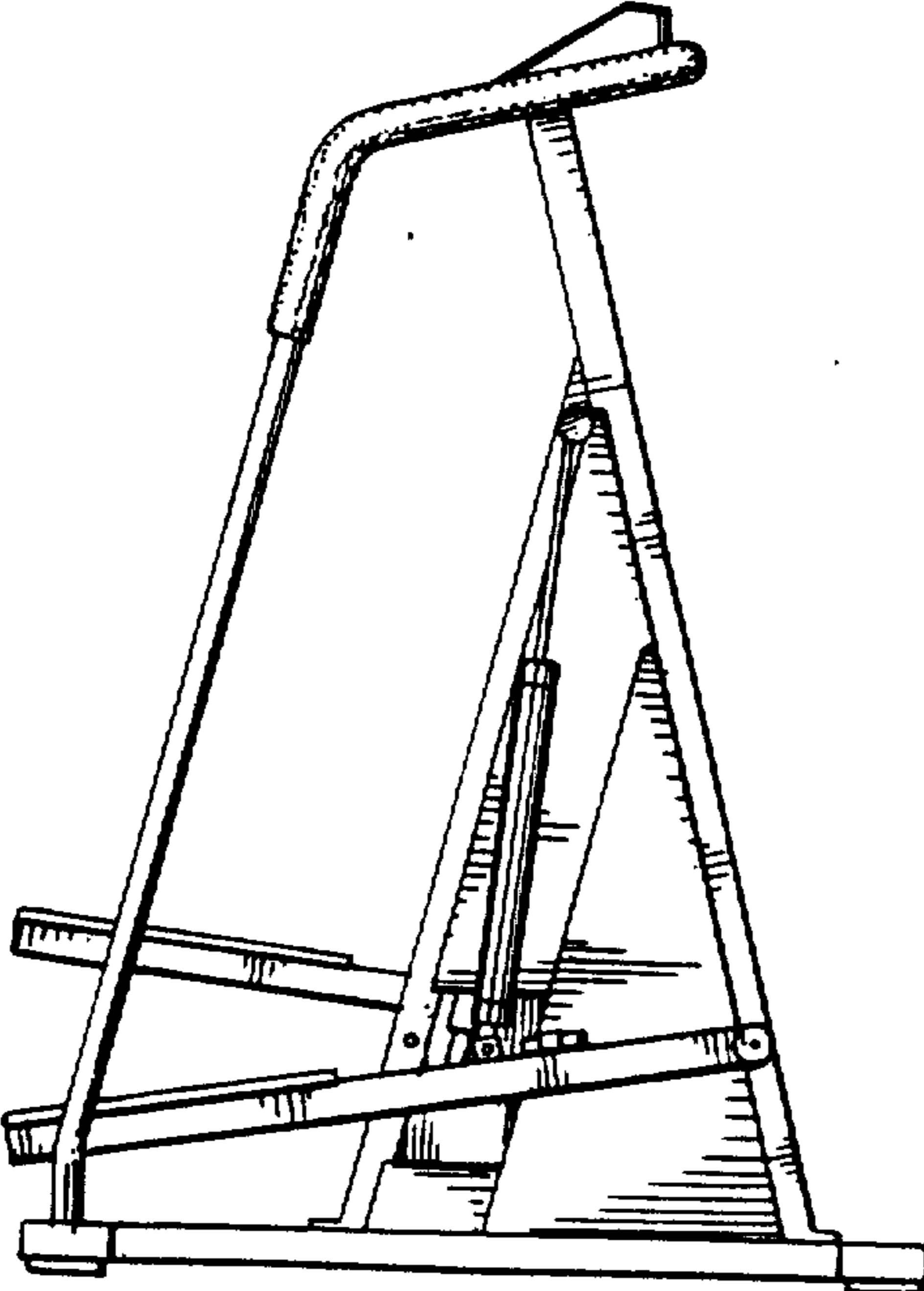


Fig. 2.

Fig. 3.

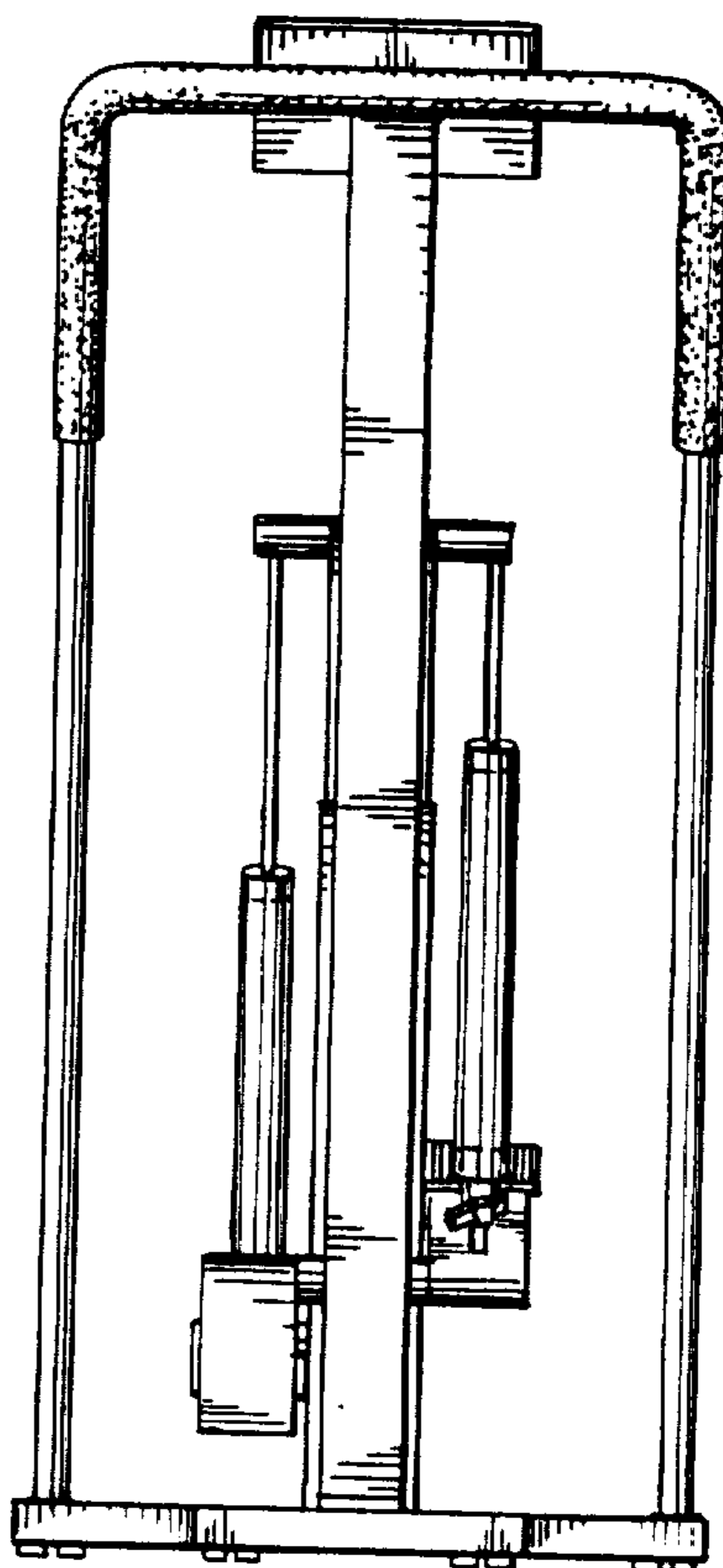
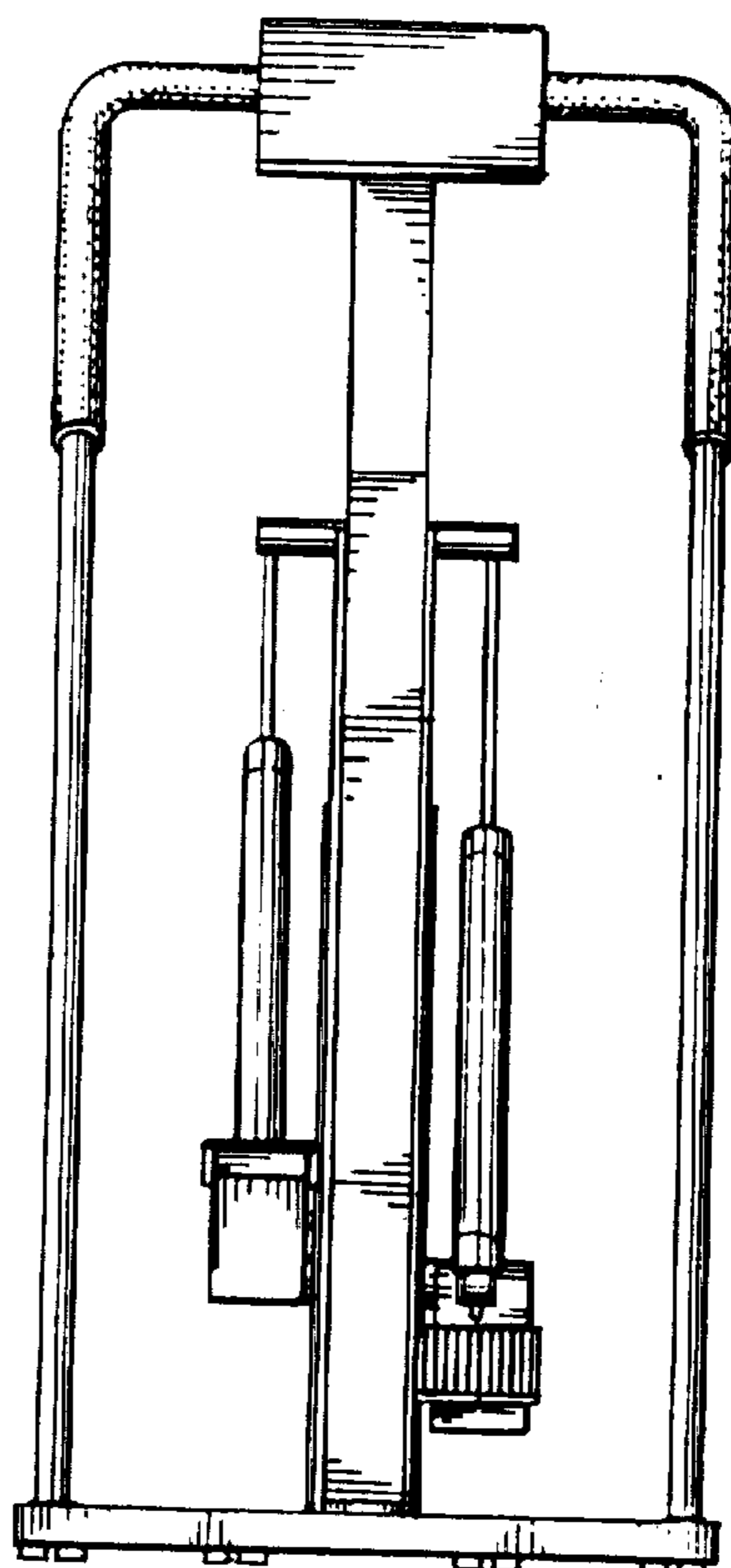


Fig. 4.



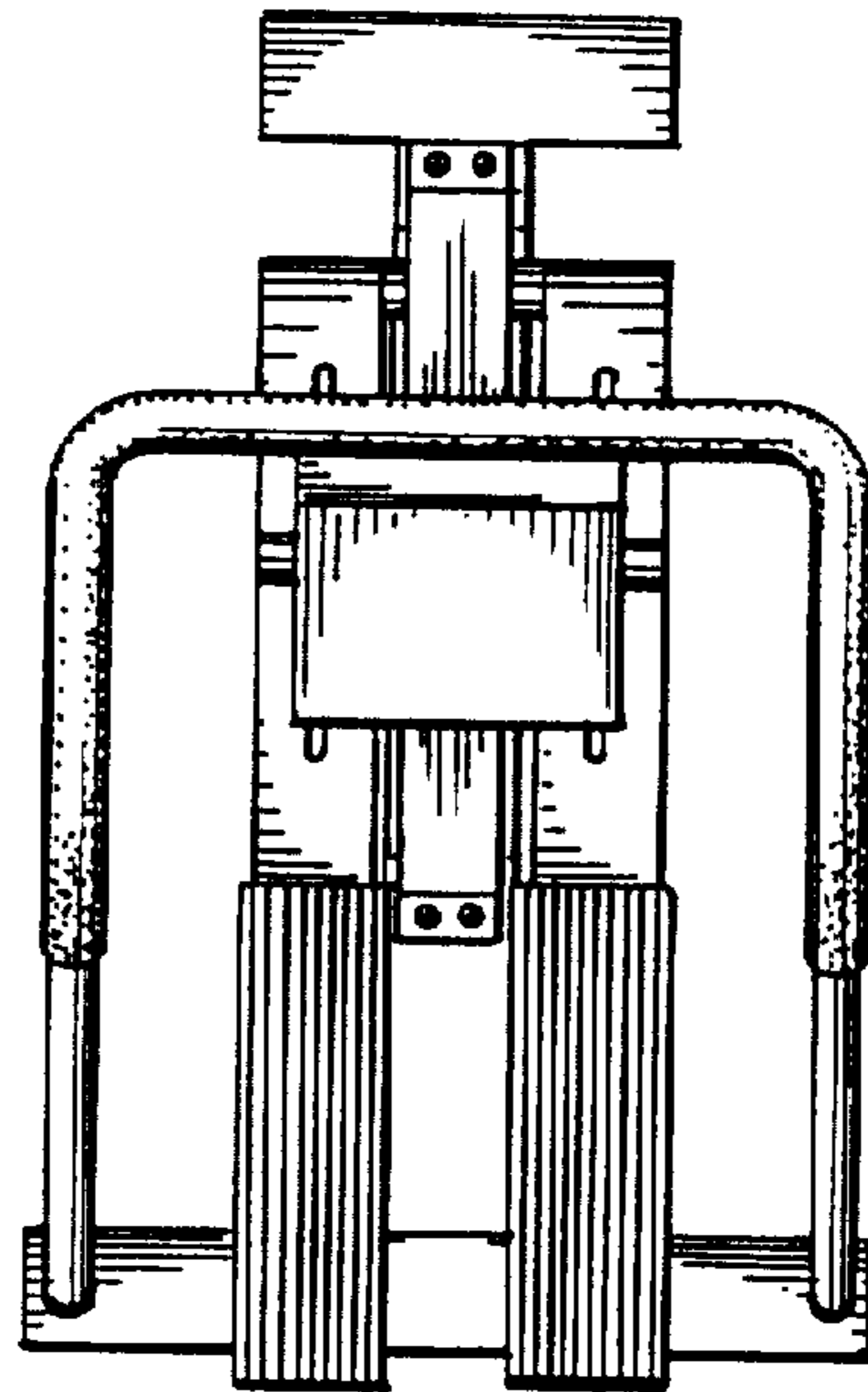


Fig. 5.

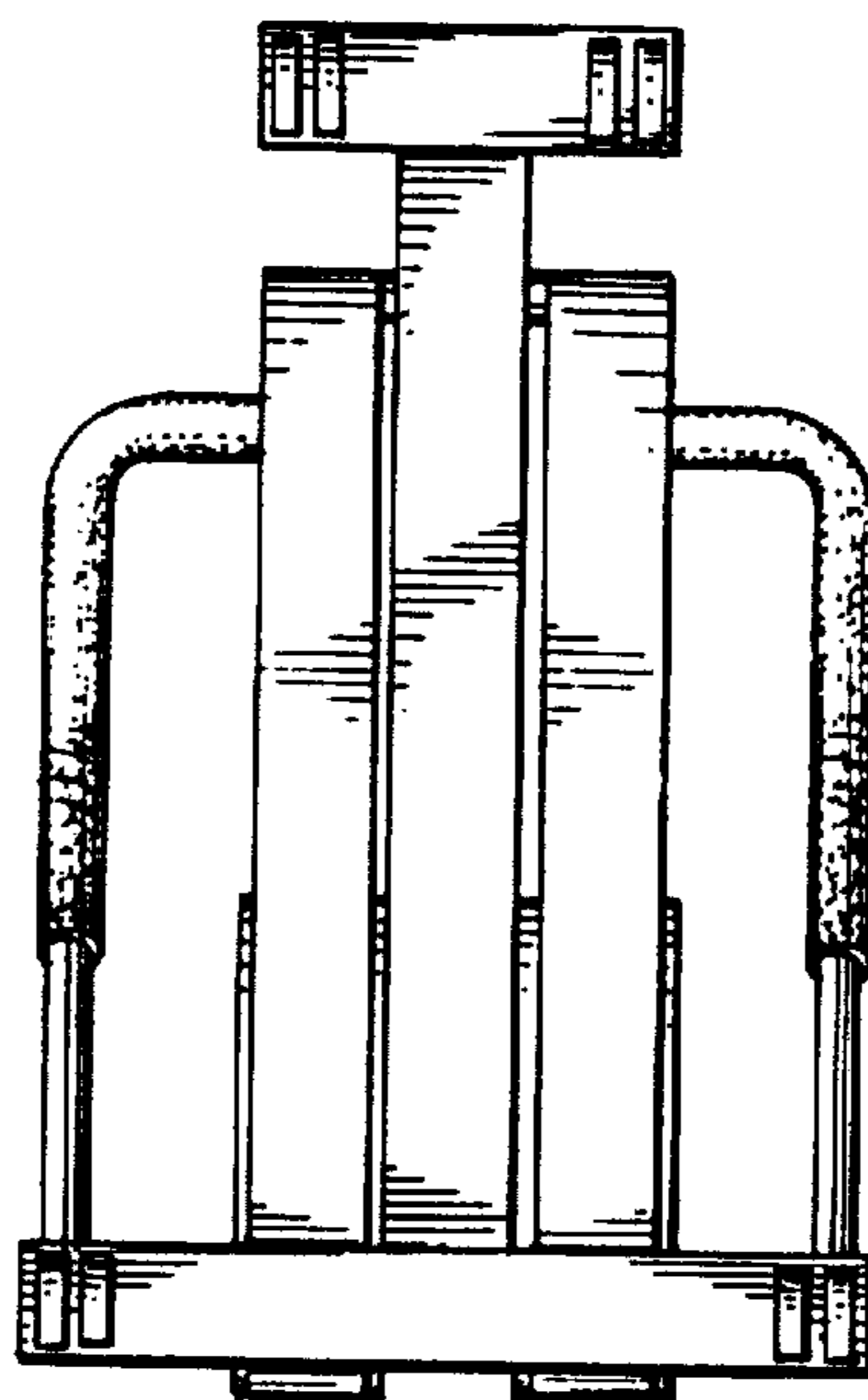


Fig. 6.