

United States Patent [19]

Cherry et al.

[11] Patent Number: **Des. 314,596**

[45] Date of Patent: **** Feb. 12, 1991**

[54] **ARM AND SHOULDER PHYSICAL EXERCISER**

[76] Inventors: **Morris J. Cherry**, P.O. Box 443, Shelbyville, Ind. 46176; **John W. Coan**, 3549 Brookside Pkwy., Indianapolis, Ind. 46201

[**] Term: **14 Years**

[21] Appl. No.: **203,214**

[22] Filed: **Jun. 7, 1988**

[52] U.S. Cl. **D21/195**

[58] Field of Search **D21/191-199;**
272/67, 68, 119, 134, 143, 144, 131

[56] **References Cited**

U.S. PATENT DOCUMENTS

D. 261,294 10/1981 Clink et al. **D21/198**

D. 280,228 8/1985 Gold **D21/194**
D. 290,033 5/1987 Policastro **D21/198**
4,570,925 2/1986 Kock et al. **272/67**
4,625,963 12/1986 Lancellotti **272/67**

Primary Examiner—Charles A. Rademaker
Attorney, Agent, or Firm—Henderson & Sturm

[57] **CLAIM**

The ornamental design for an arm and shoulder physical exerciser, as shown and described.

DESCRIPTION

FIG. 1 is a front perspective view of an arm and shoulder physical exerciser showing our new design; FIG. 2 is a left side elevational view thereof; FIG. 3 is a front elevational view thereof; FIG. 4 is a rear elevational view thereof; FIG. 5 is a right side elevational view thereof; and, FIG. 6 is a top plan view thereof.

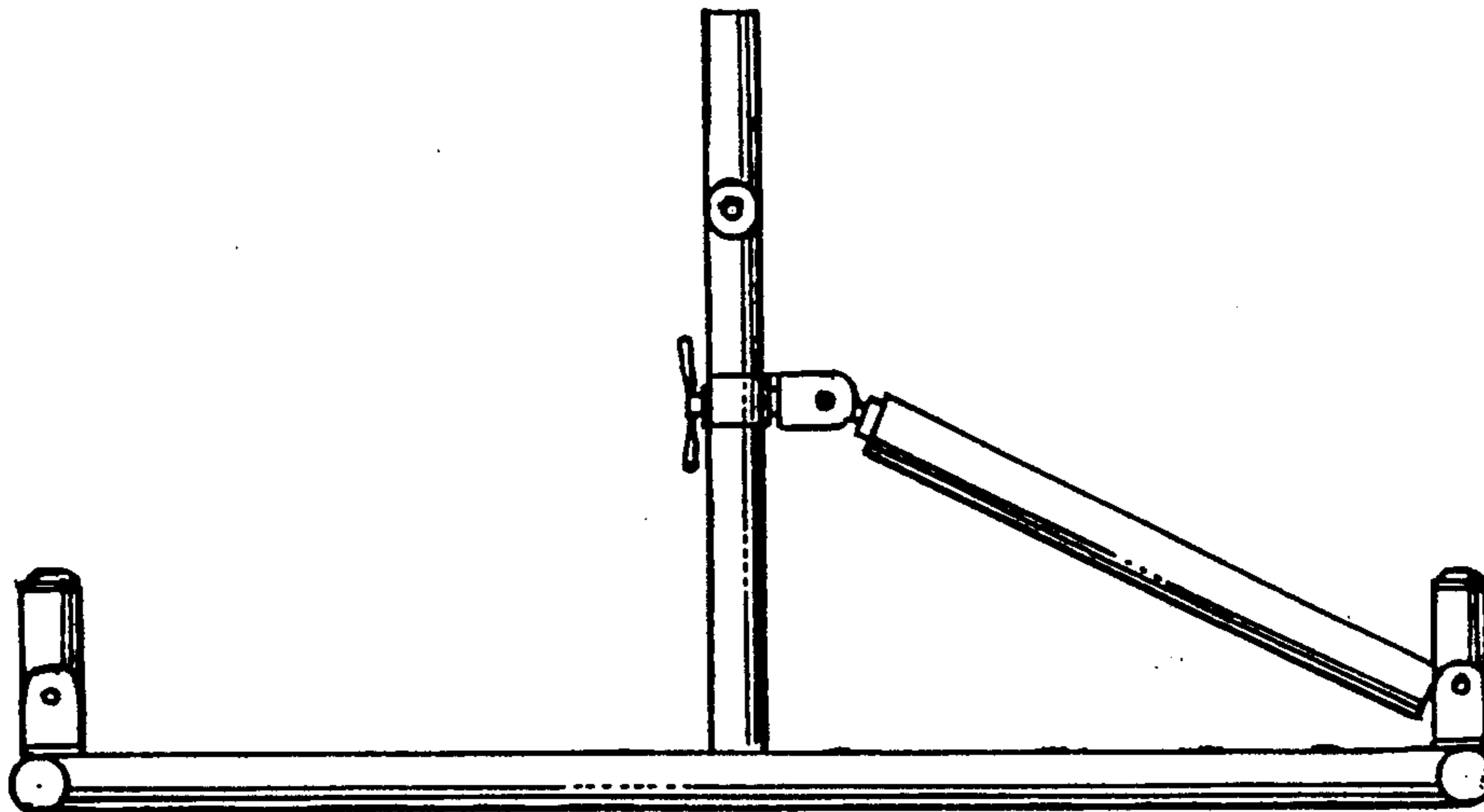


FIG. 1.

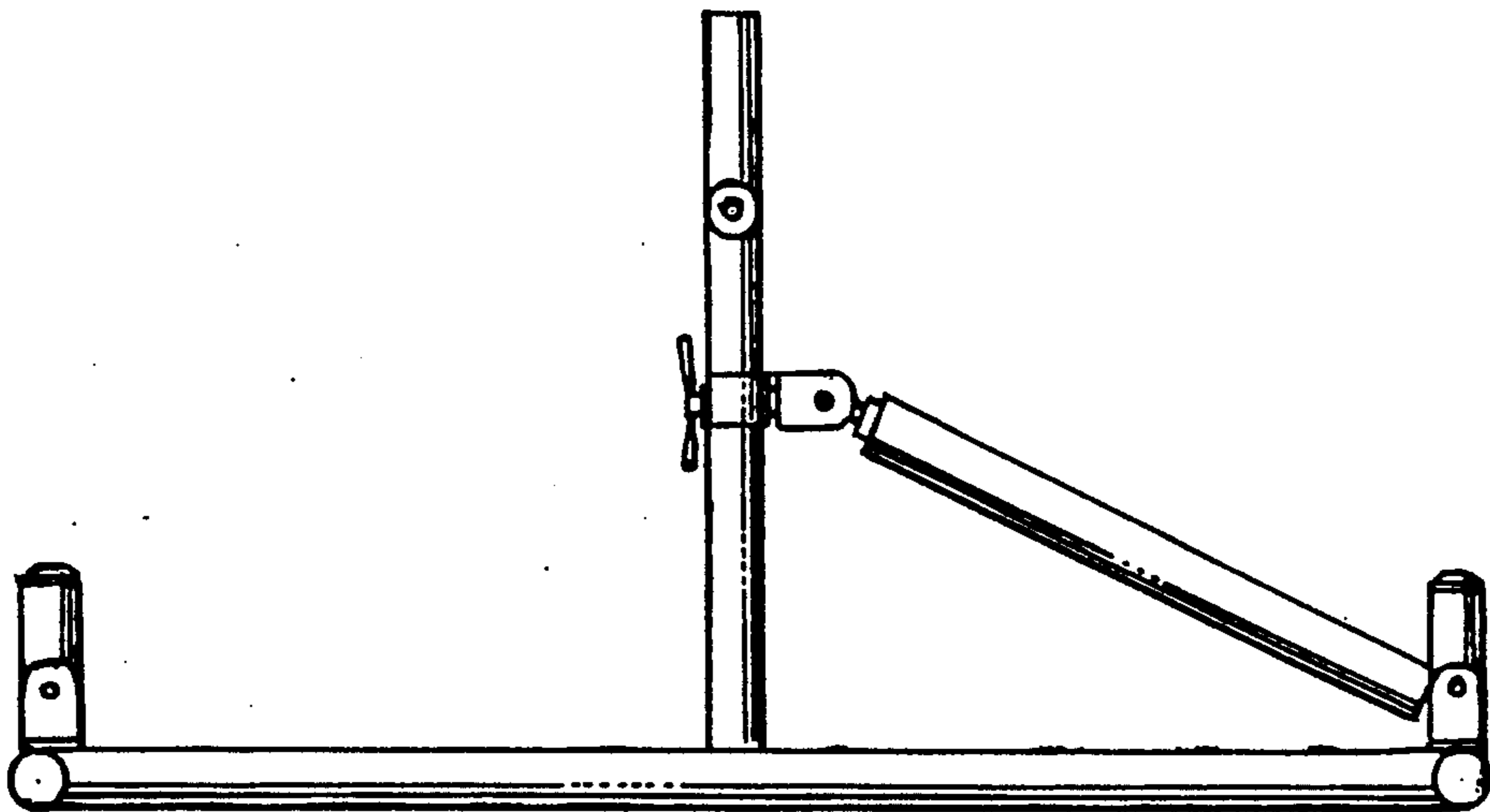
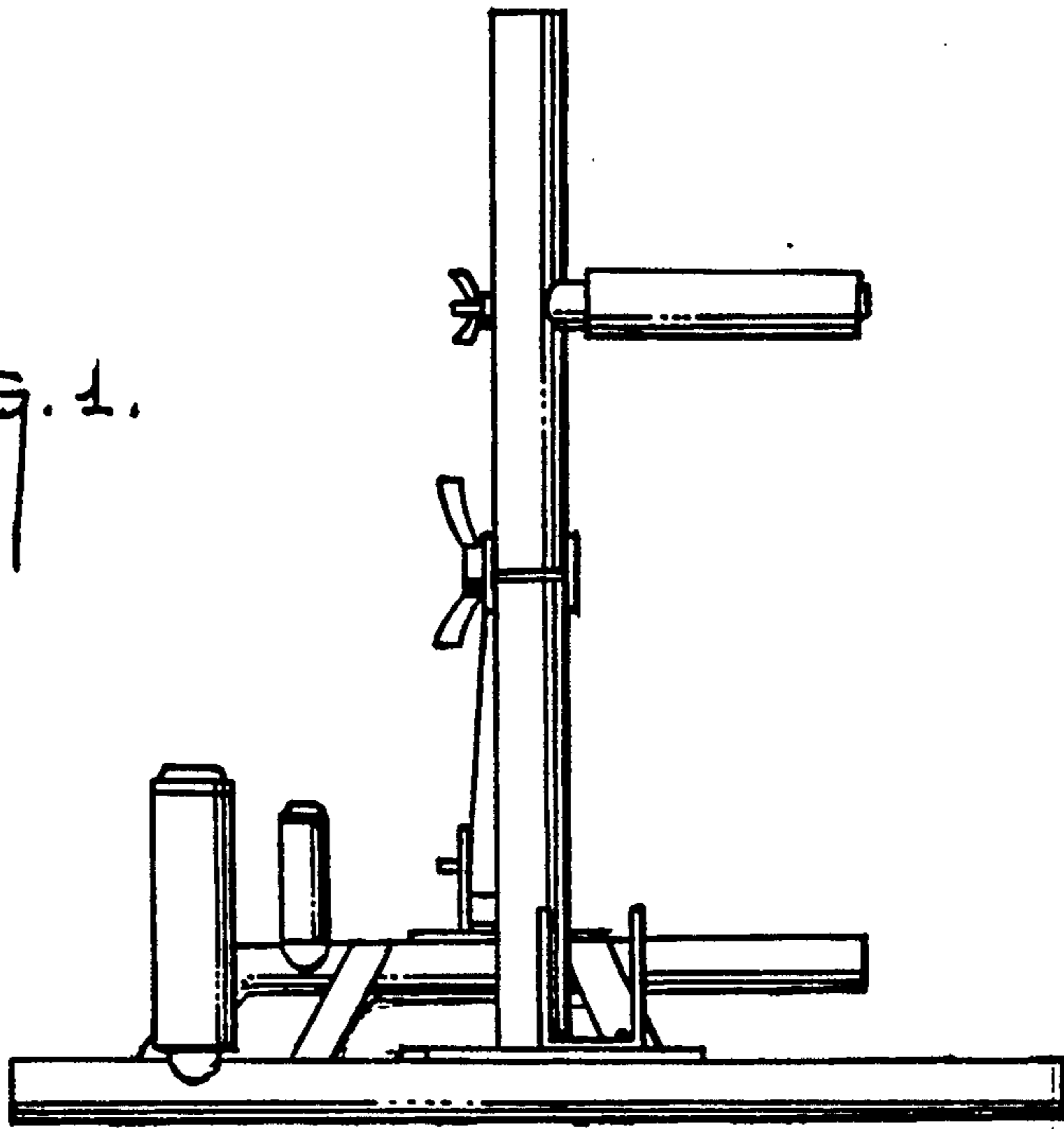


FIG. 2.

FIG. 3.

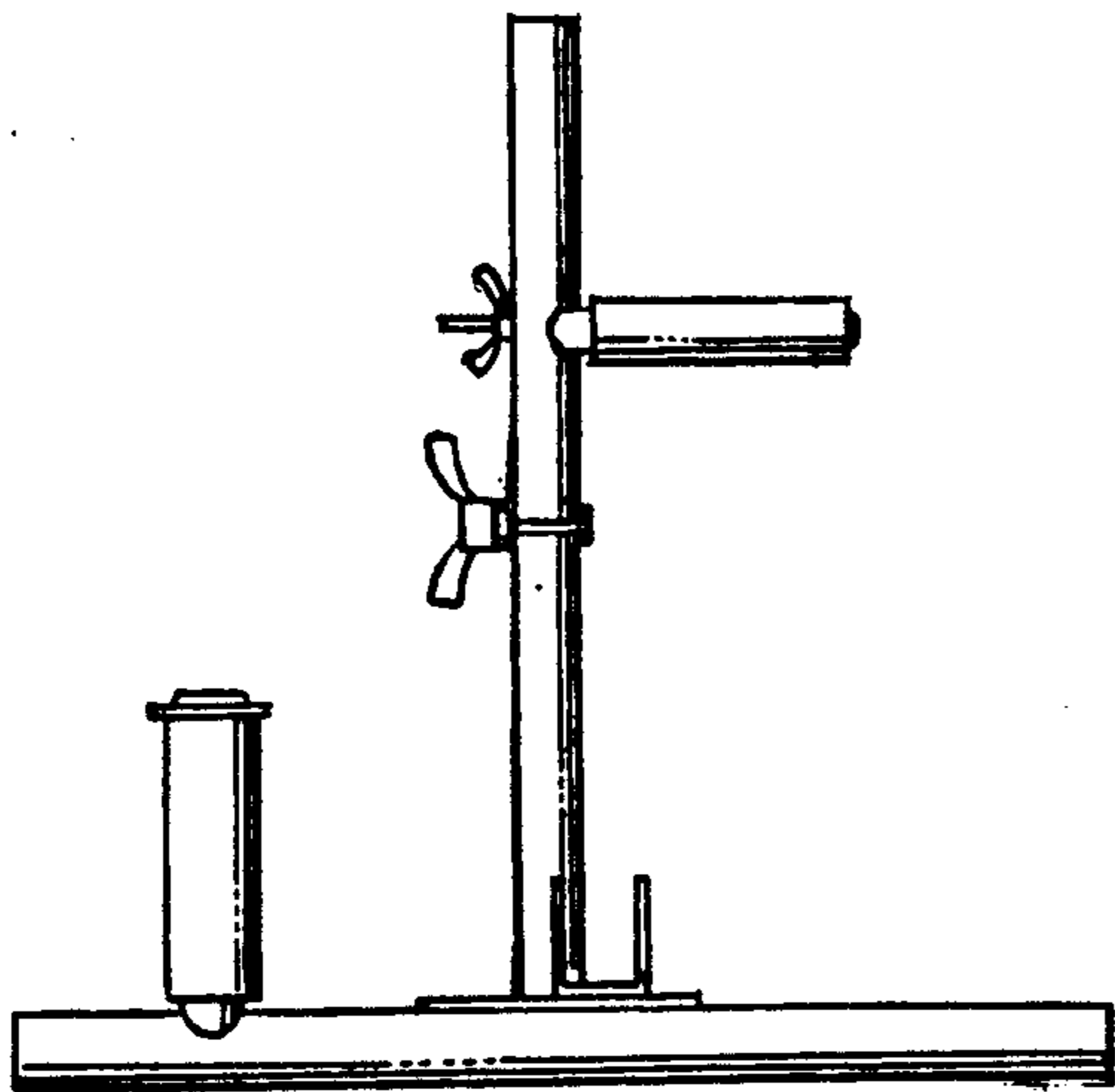


FIG. 4.

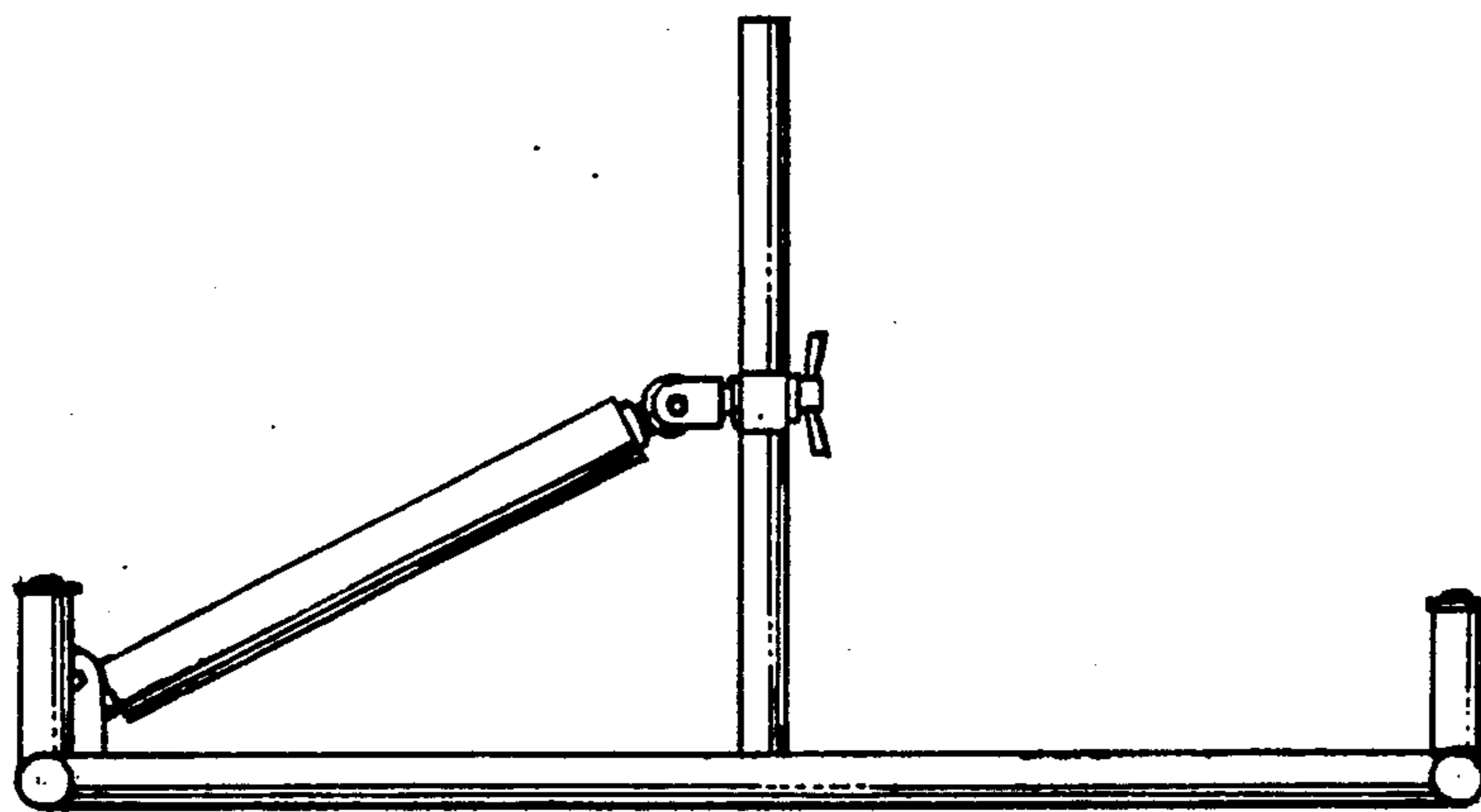
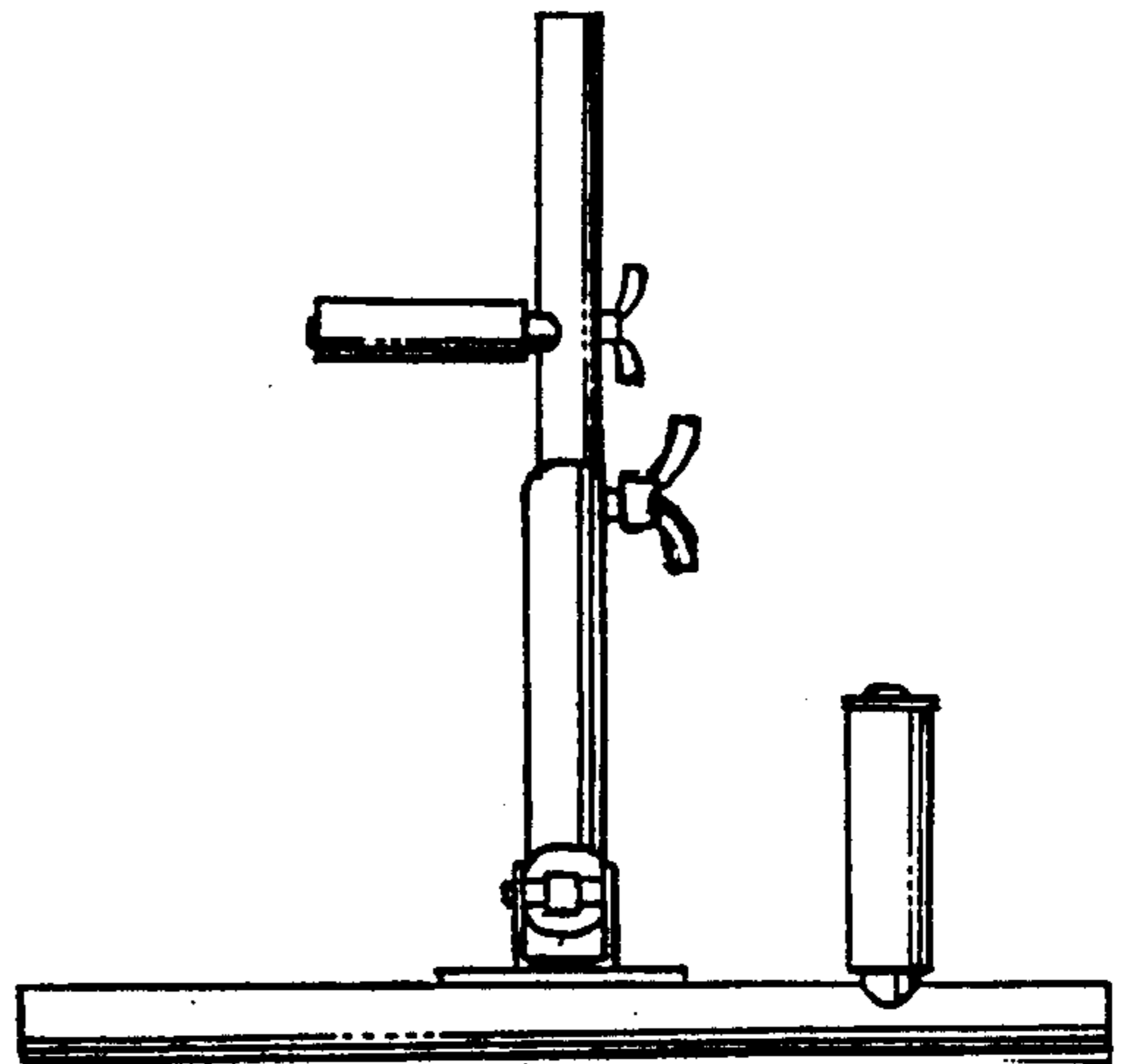


FIG. 5.

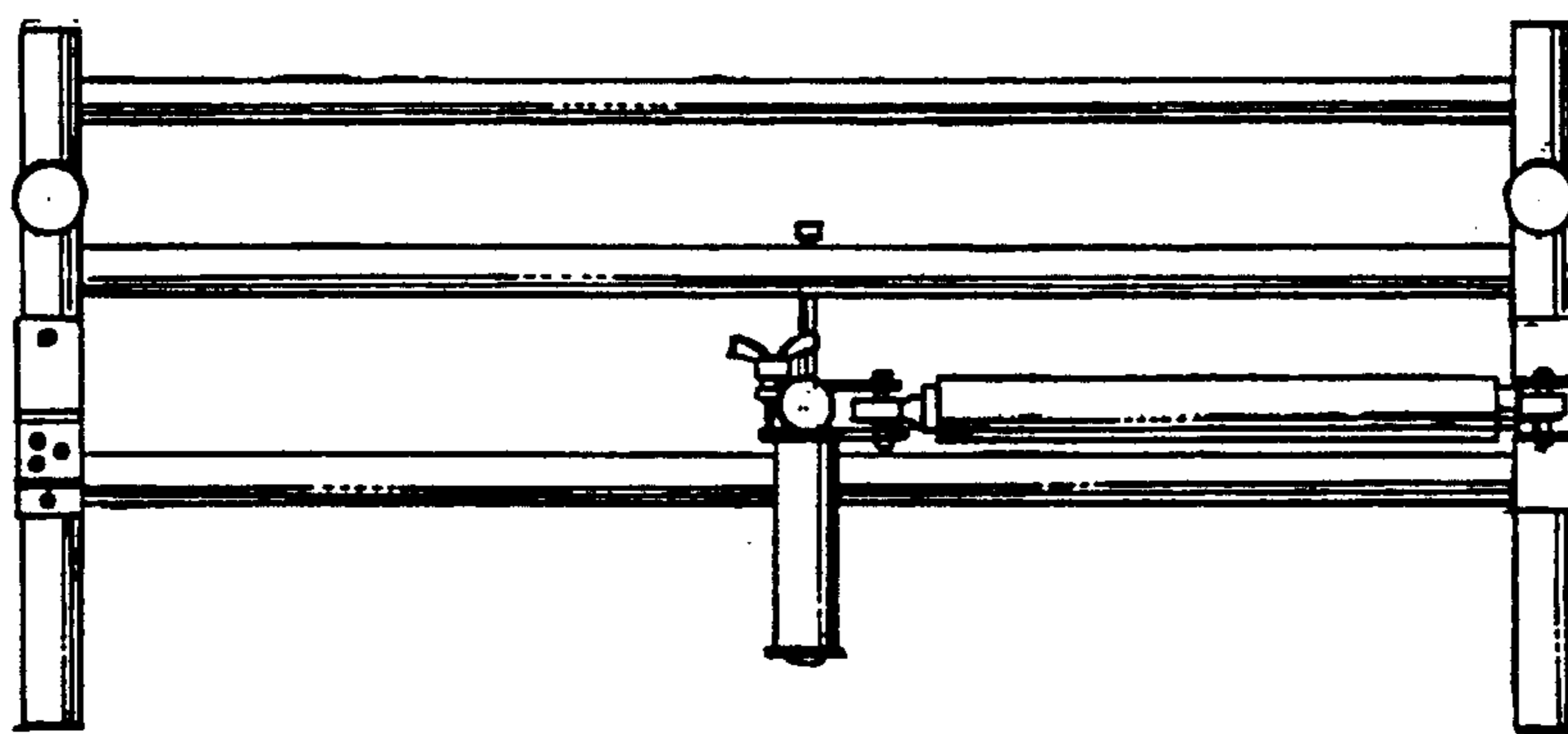


FIG. 6.