

[54] **BOOKMARK**

[76] Inventor: Joel F. Cooley, 4311 Forest Park Blvd., St. Louis, Mo. 63108

[**] Term: 14 Years

[21] Appl. No.: 441,412

[22] Filed: Nov. 27, 1989

[52] U.S. Cl. D19/34

[58] Field of Search D19/34; 24/67 R, 67.11; 281/4, 17, 19.1, 42, 43, 45, 3.1, 15.1; 283/40, 36, 39

[56] **References Cited**

U.S. PATENT DOCUMENTS

D. 24,233	4/1895	Stone	D19/34
D. 111,589	10/1938	Rabbin et al.	D19/34
1,322,796	11/1919	Kissel	281/42
1,540,777	6/1925	Hellerman	D19/34 X
1,809,943	6/1931	Ockenden	D19/34 X
1,958,831	5/1934	Lorenz	D19/34 X
2,060,624	11/1936	Kenedy	281/42
2,096,354	10/1937	Bershad	D19/34 X
2,282,939	5/1942	Clawson	D19/34 X
2,664,847	1/1954	Orman	D19/34 X
3,059,609	10/1962	Sealana	D19/34 X

Primary Examiner—Wallace R. Burke
Assistant Examiner—Pamela J. Schmidt

Attorney, Agent, or Firm—Paul M. Denk

[57] **CLAIM**

The ornamental design for the bookmark, as shown and described.

DESCRIPTION

FIG. 1 is a top perspective view of a bookmark showing my new design with a book shown in broken lines for illustrative purposes only, forming no part of the claimed design;

FIG. 2 is a front elevational view of the bookmark in FIG. 1;

FIG. 3 is a left side elevational view thereof;

FIG. 4 is a rear elevational view thereof;

FIG. 5 is a right side elevational view thereof;

FIG. 6 is a top plan view thereof;

FIG. 7 is a bottom plan view thereof;

FIG. 8 is a top perspective view of a second embodiment showing my new design with a book shown in broken lines for illustrative purposes only, forming no part of the claimed design;

FIG. 9 is a front elevational view of the bookmark in FIG. 8;

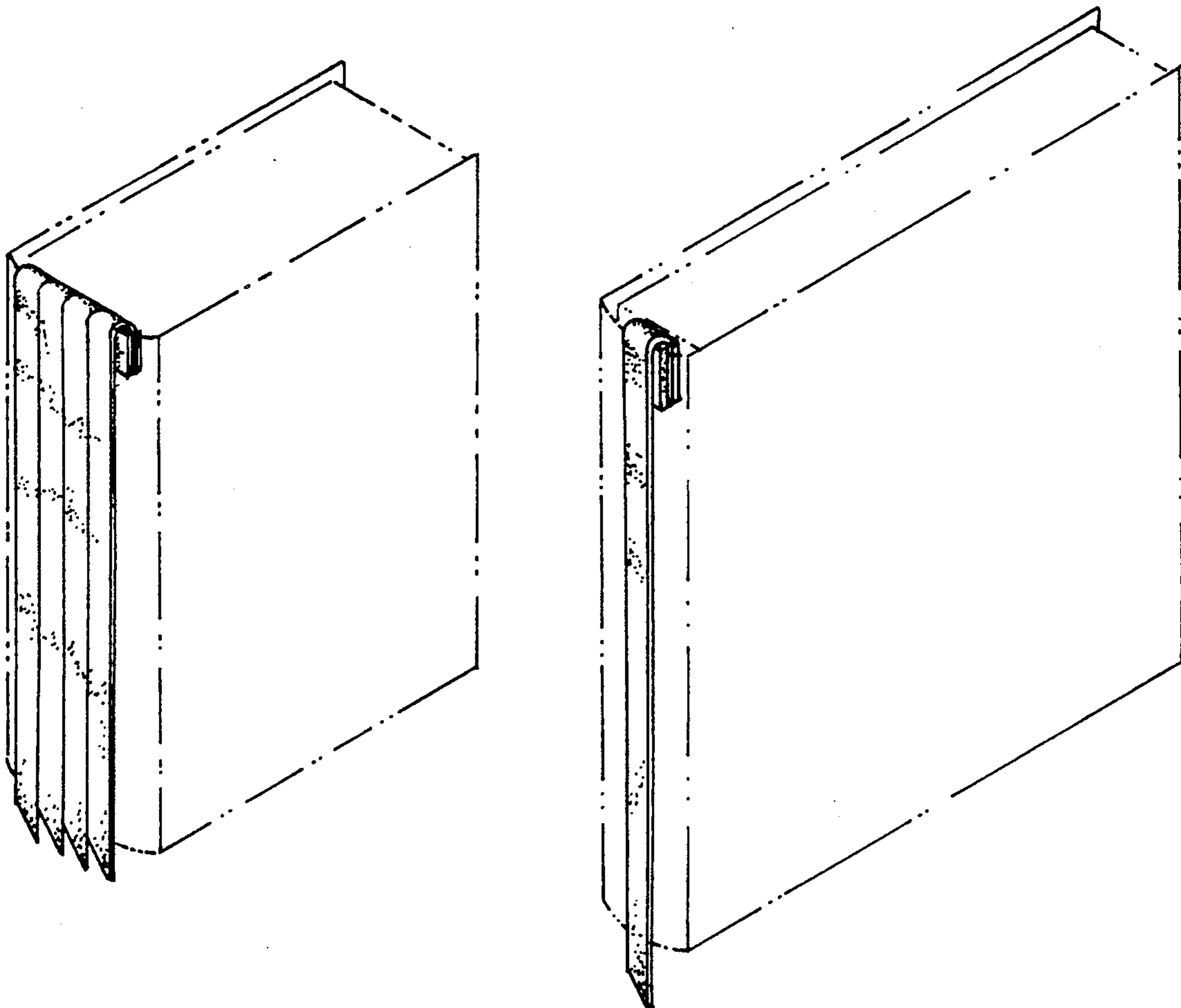
FIG. 10 is a rear elevational view thereof;

FIG. 11 is a left side elevational view thereof;

FIG. 12 is a right side elevational view thereof;

FIG. 13 is a top plan view thereof; and

FIG. 14 is a bottom plan view thereof.



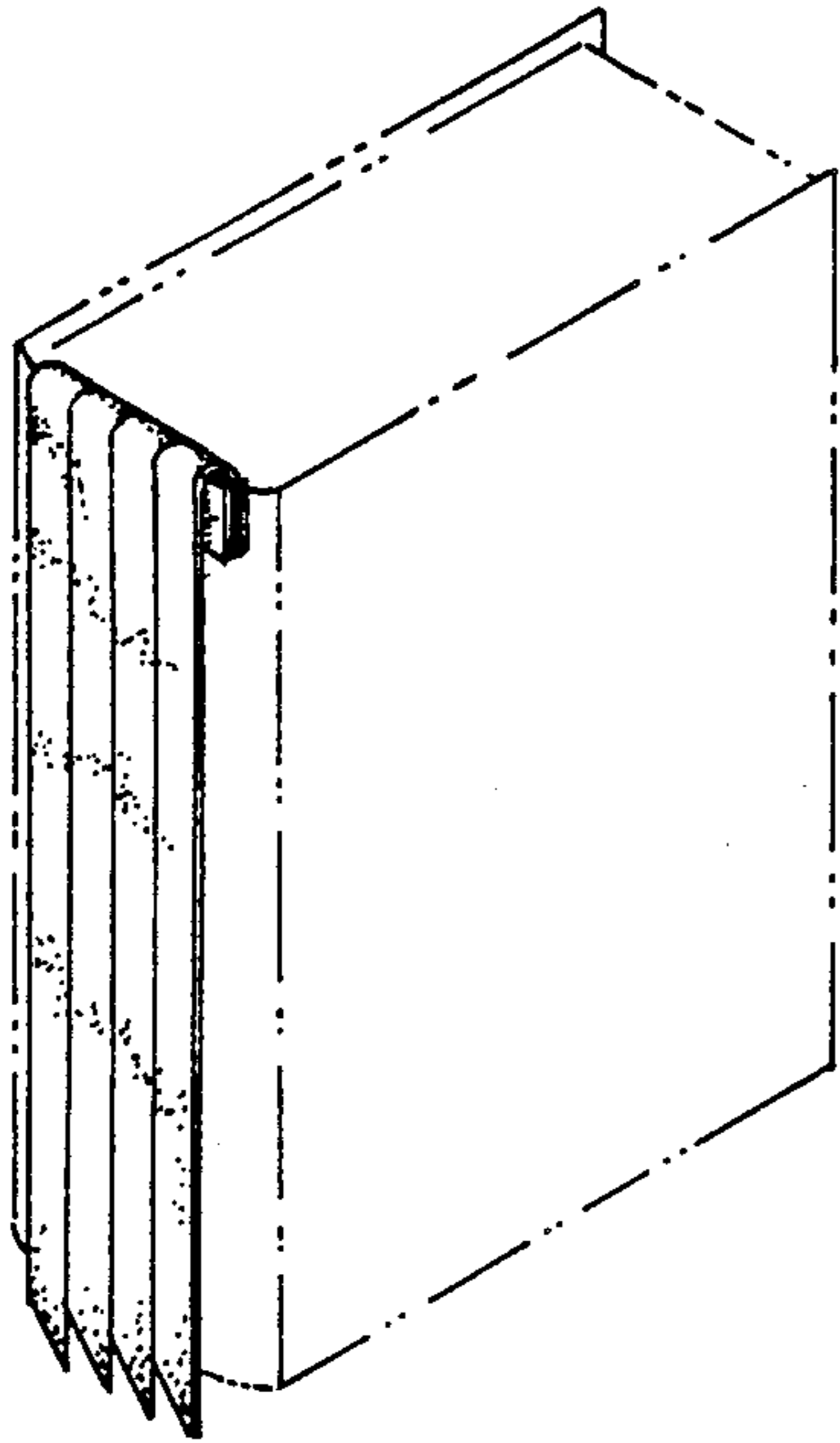


FIG. 1.

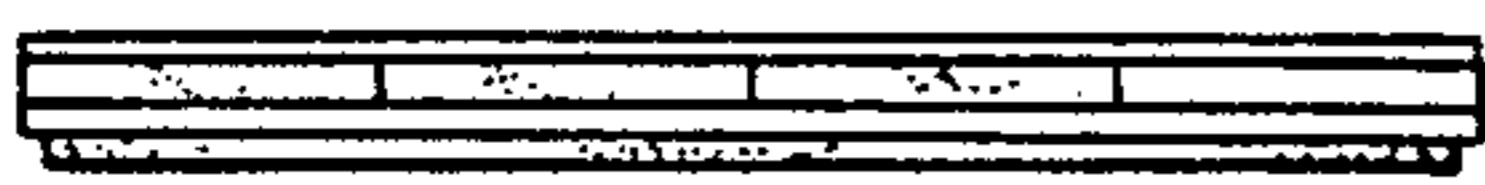


FIG. 6.

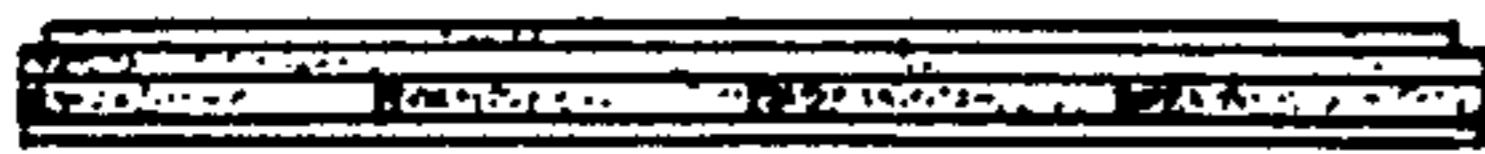


FIG. 7.

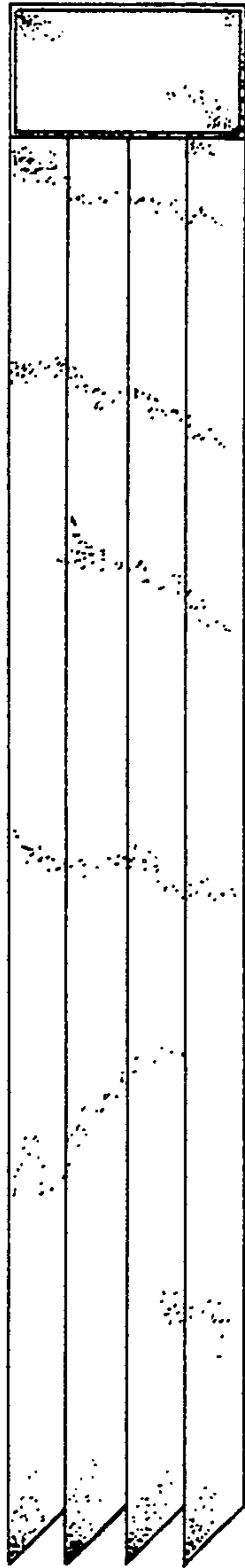


FIG. 4.



FIG. 3.



FIG. 2.



FIG. 5.

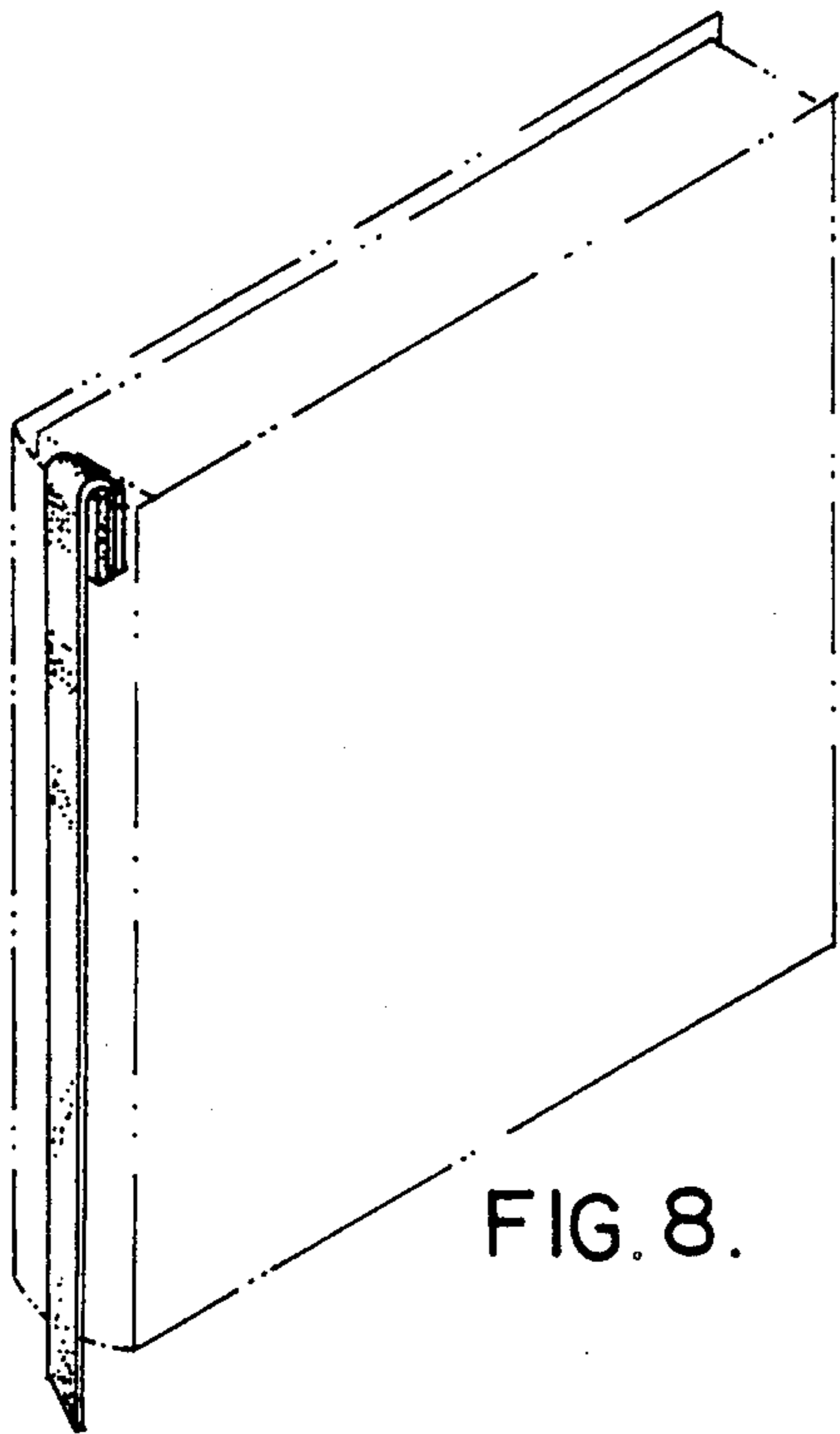


FIG. 8.



FIG. 13.

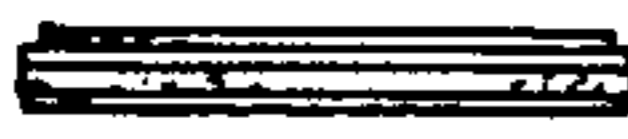


FIG. 14.



FIG. 10. FIG. 11. FIG. 9. FIG. 12.