

[54] PRINTING MACHINE

2,863,385 12/1958 Wright ..... D18/14  
2,907,271 10/1959 Stielow ..... 101/123  
3,094,921 6/1963 James ..... D18/13

[75] Inventor: Chun M. W. Chan, Hong Kong,  
Hong Kong

[73] Assignee: Space Lab (Hong Kong) Enterprises  
Limited, Hong Kong, Hong Kong

[\*\*] Term: 14 Years

[21] Appl. No.: 911

[22] Filed: Dec. 31, 1986

[52] U.S. Cl. .... D18/14

[58] Field of Search ..... 493/914; D18/14, 19,  
D18/13, 23, 15; 101/133, 123

[56] References Cited

U.S. PATENT DOCUMENTS

|            |         |               |       |         |
|------------|---------|---------------|-------|---------|
| D. 27,220  | 6/1897  | McNutt        | ..... | D18/23  |
| D. 155,154 | 9/1949  | Halvorsen     | ..... | D18/14  |
| D. 156,748 | 1/1950  | Lamm          | ..... | D18/14  |
| D. 158,287 | 4/1950  | Hunt          | ..... | D18/14  |
| D. 180,507 | 6/1957  | Colyer et al. | ..... | D18/14  |
| D. 192,306 | 2/1962  | Dashew        | ..... | D18/14  |
| D. 229,512 | 12/1973 | Ashton et al. | ..... | D18/14  |
| 963,423    | 7/1910  | Devine        | ..... | 493/914 |
| 1,130,790  | 3/1915  | Brown         | ..... | 493/914 |
| 1,176,710  | 3/1916  | Devine        | ..... | 493/914 |

OTHER PUBLICATIONS

Hong Kong Enterprise; 3/86; p. 130; Do It Yourself  
Printing.  
Hong Kong Enterprise; 3/86; p. 160; Hot Printer 2000.

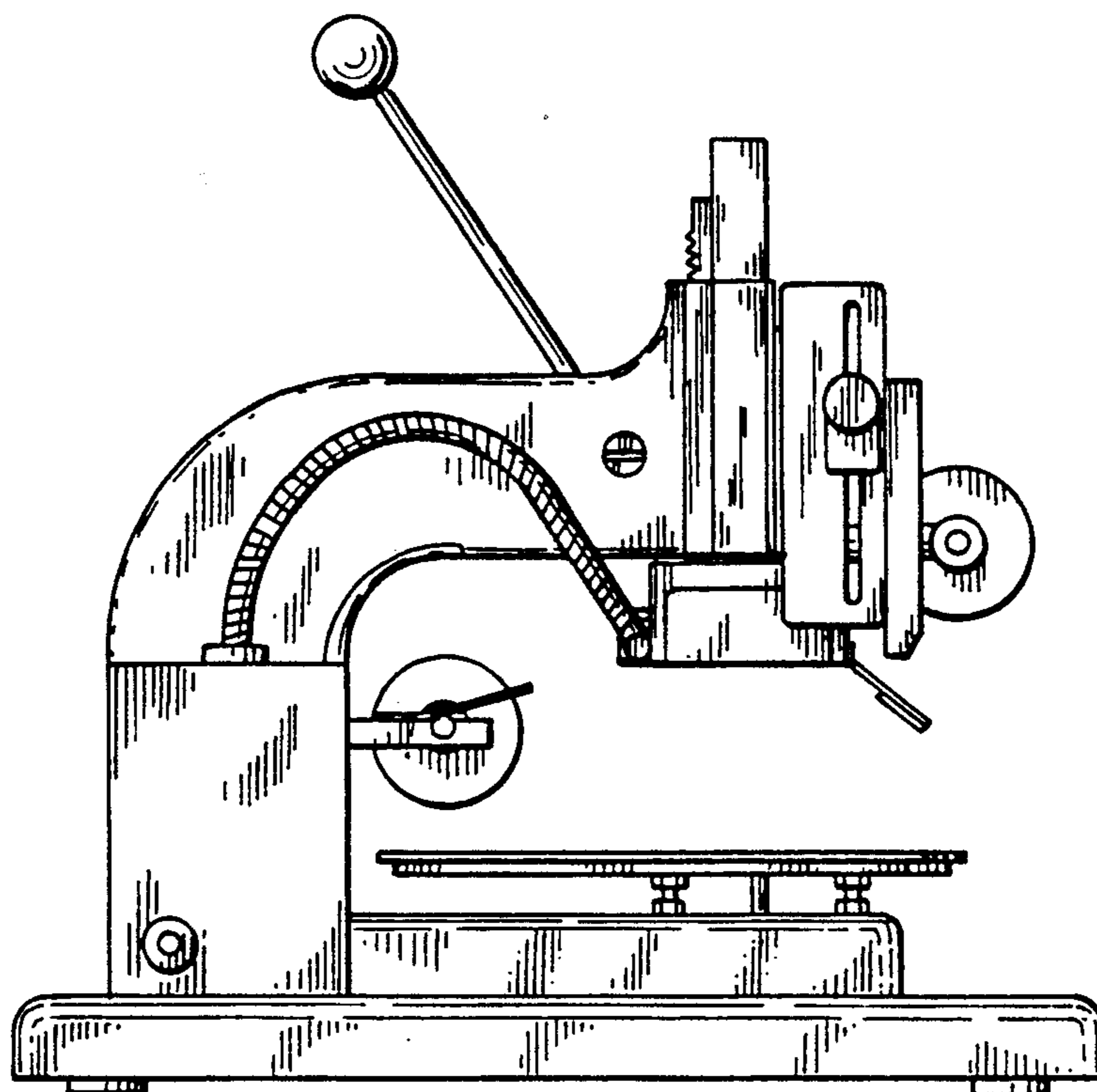
Primary Examiner—James R. Largen  
Assistant Examiner—Cathy Anne MacCormac  
Attorney, Agent, or Firm—Townsend and Townsend

[57] CLAIM

The ornamental design for a printing machine, as shown  
and described.

DESCRIPTION

FIG. 1 is a front elevational view of a printing machine  
showing my new design;  
FIG. 2 is a rear elevational view thereof;  
FIG. 3 is a top plan view thereof;  
FIG. 4 is a bottom plan view thereof;  
FIG. 5 is a left side elevational view thereof;  
FIG. 6 is a right side elevational view; and  
FIG. 7 is a right side elevational view showing the  
printing machine in working order.



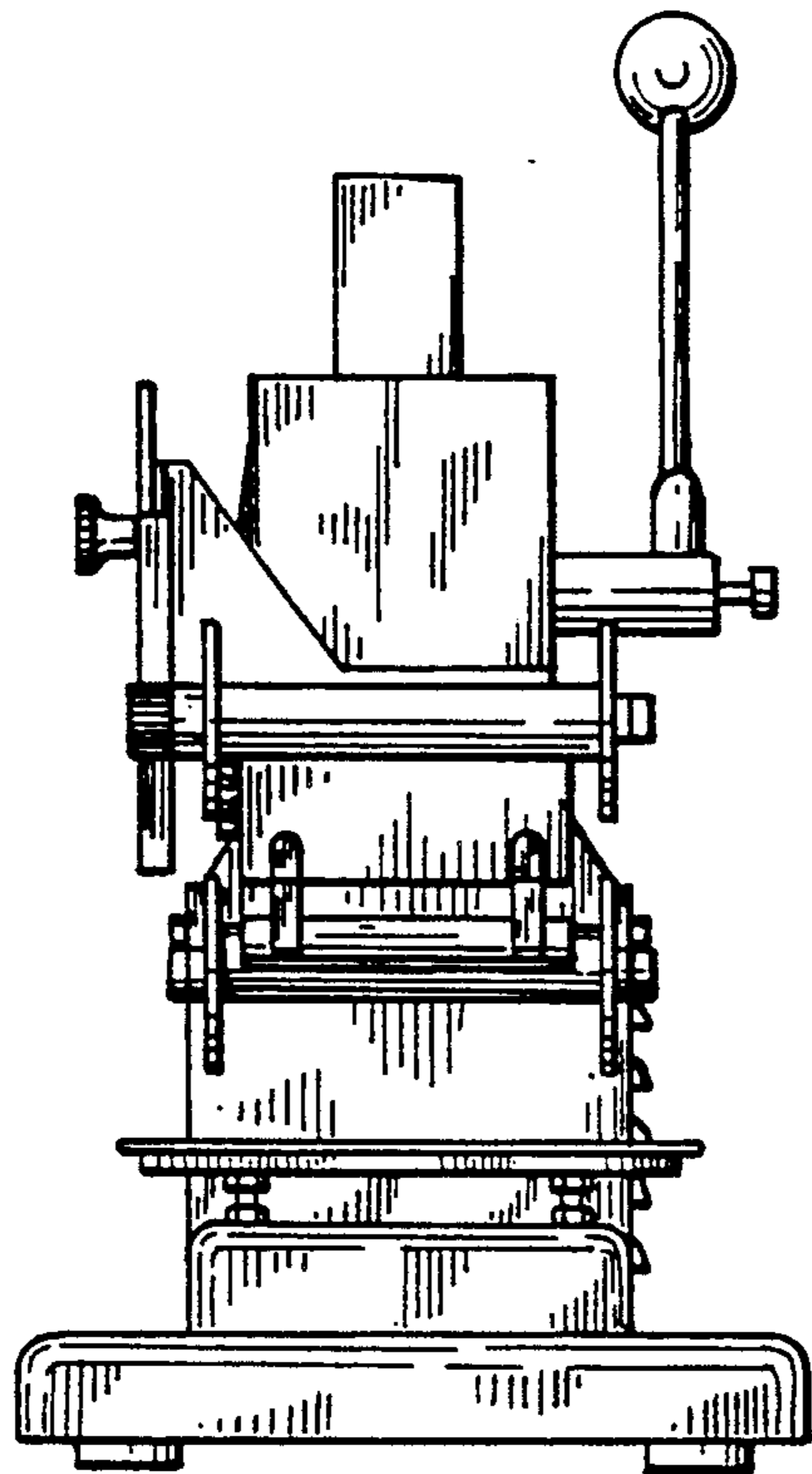


FIG. 1

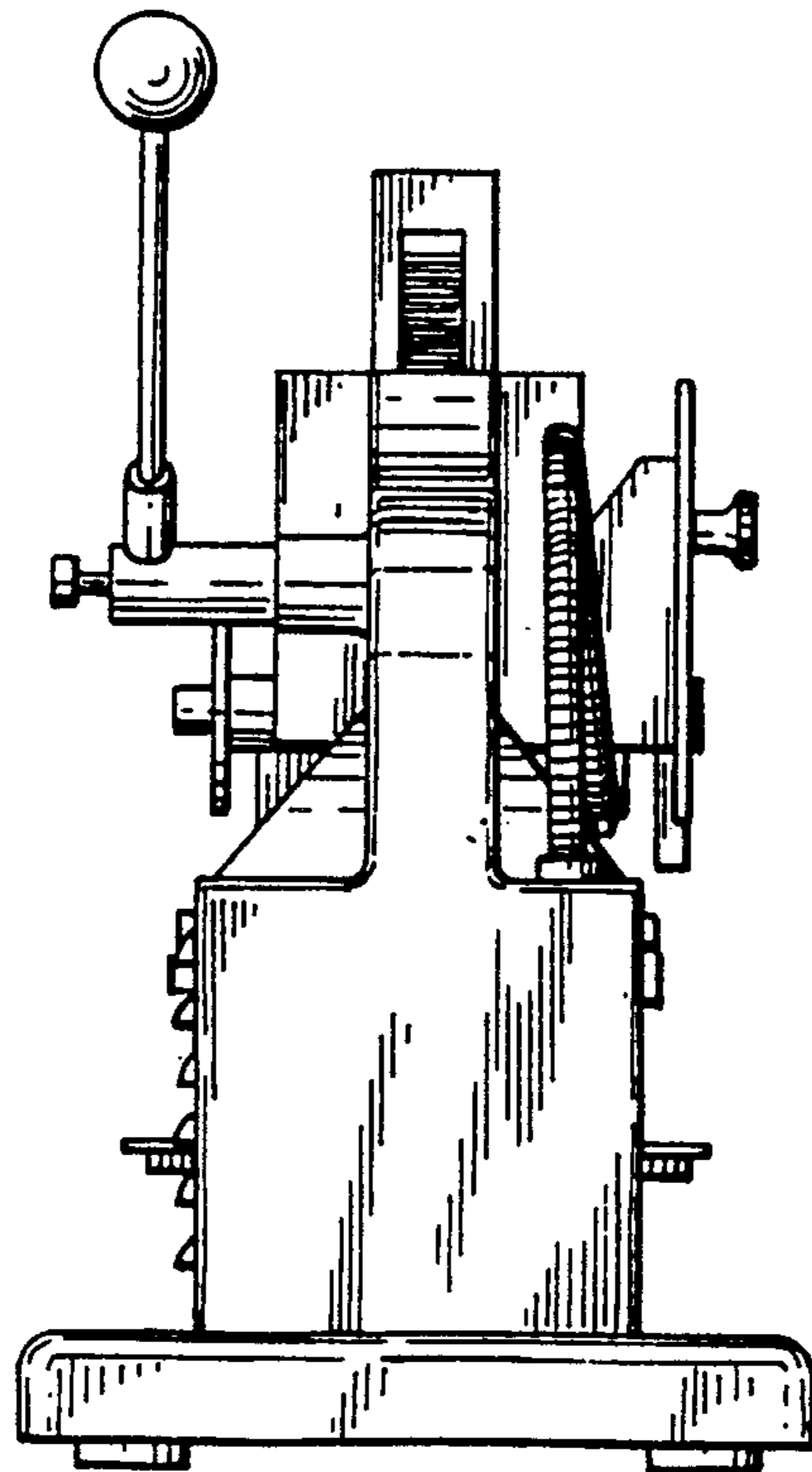


FIG. 2

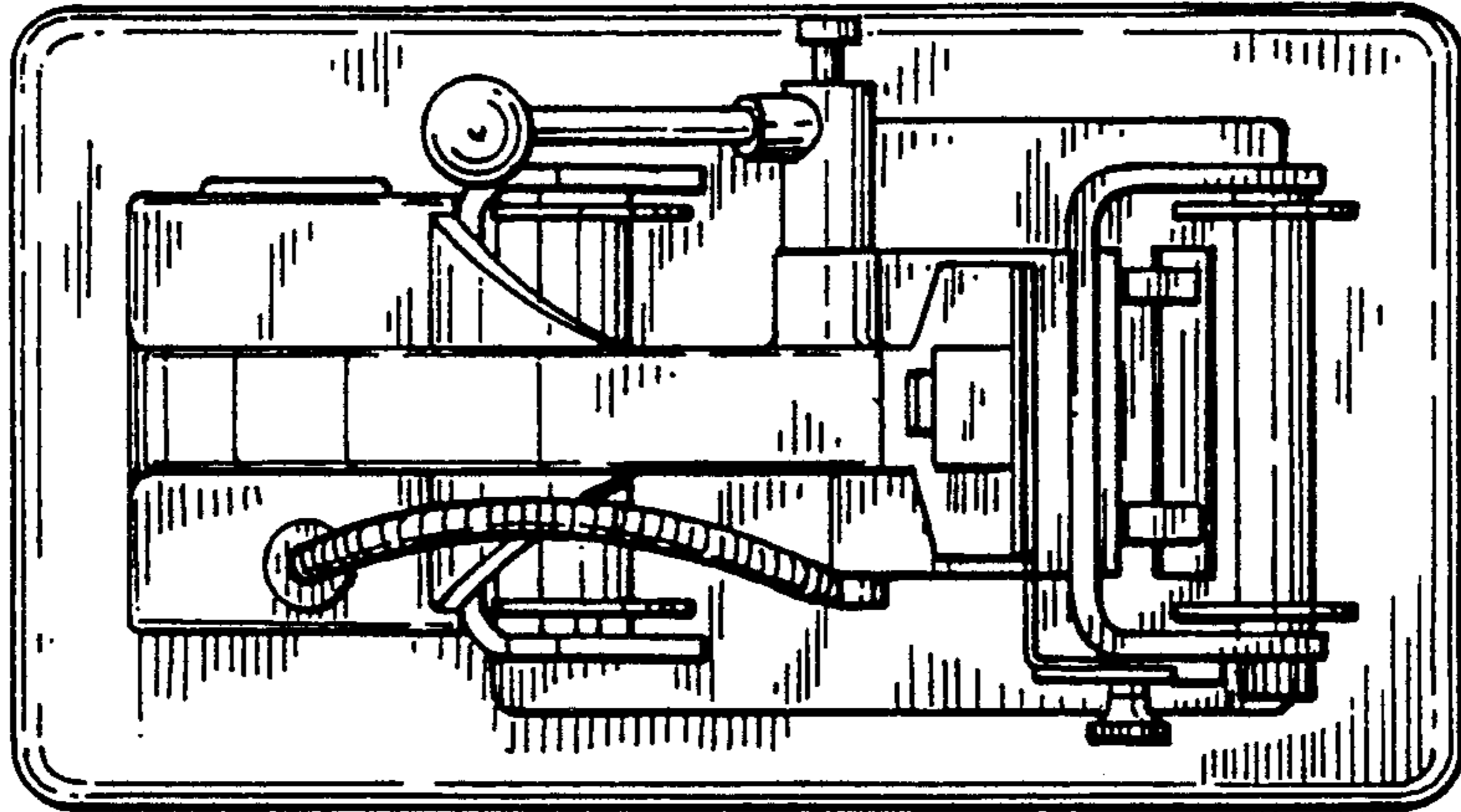


FIG. 3

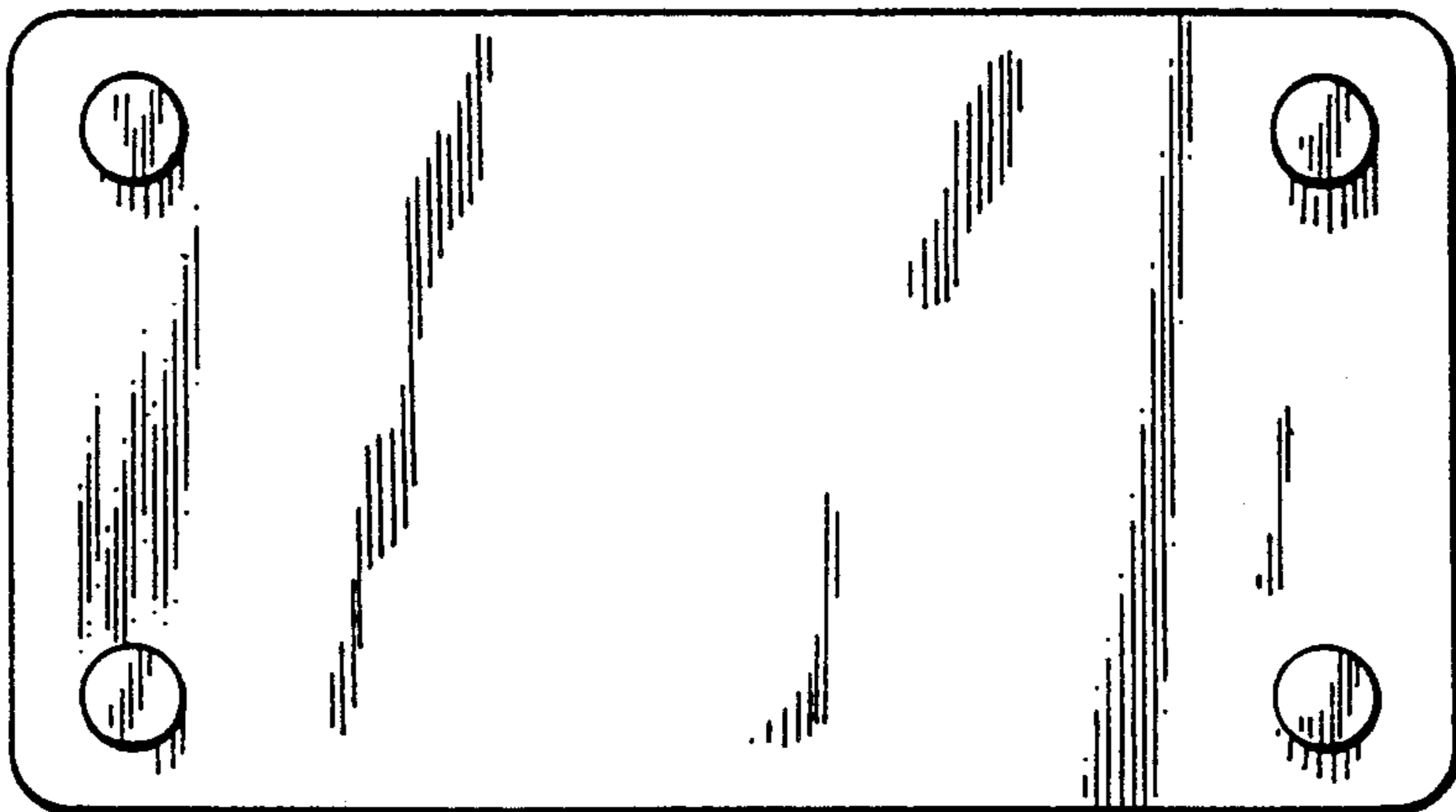


FIG. 4

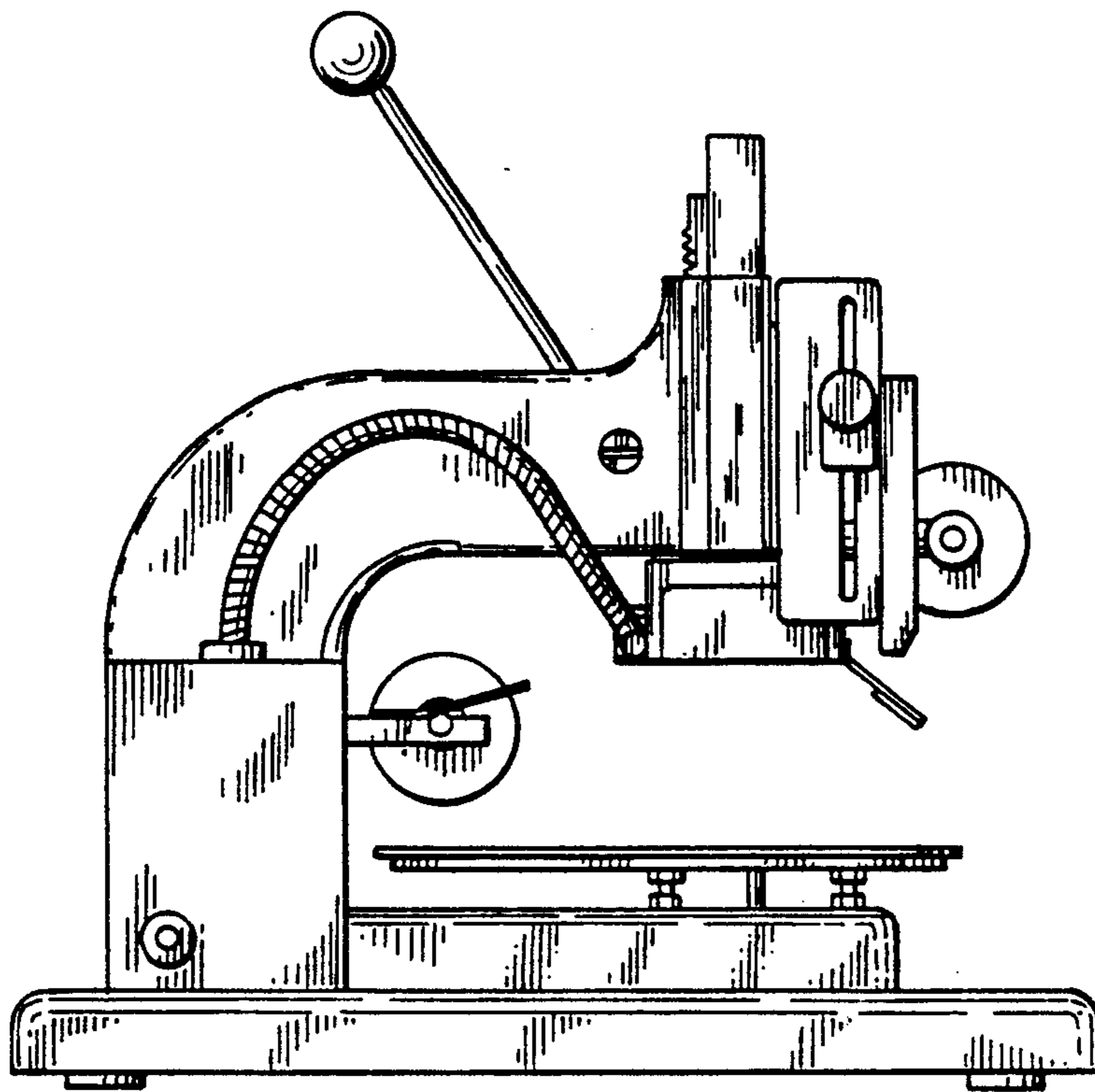


FIG. 5

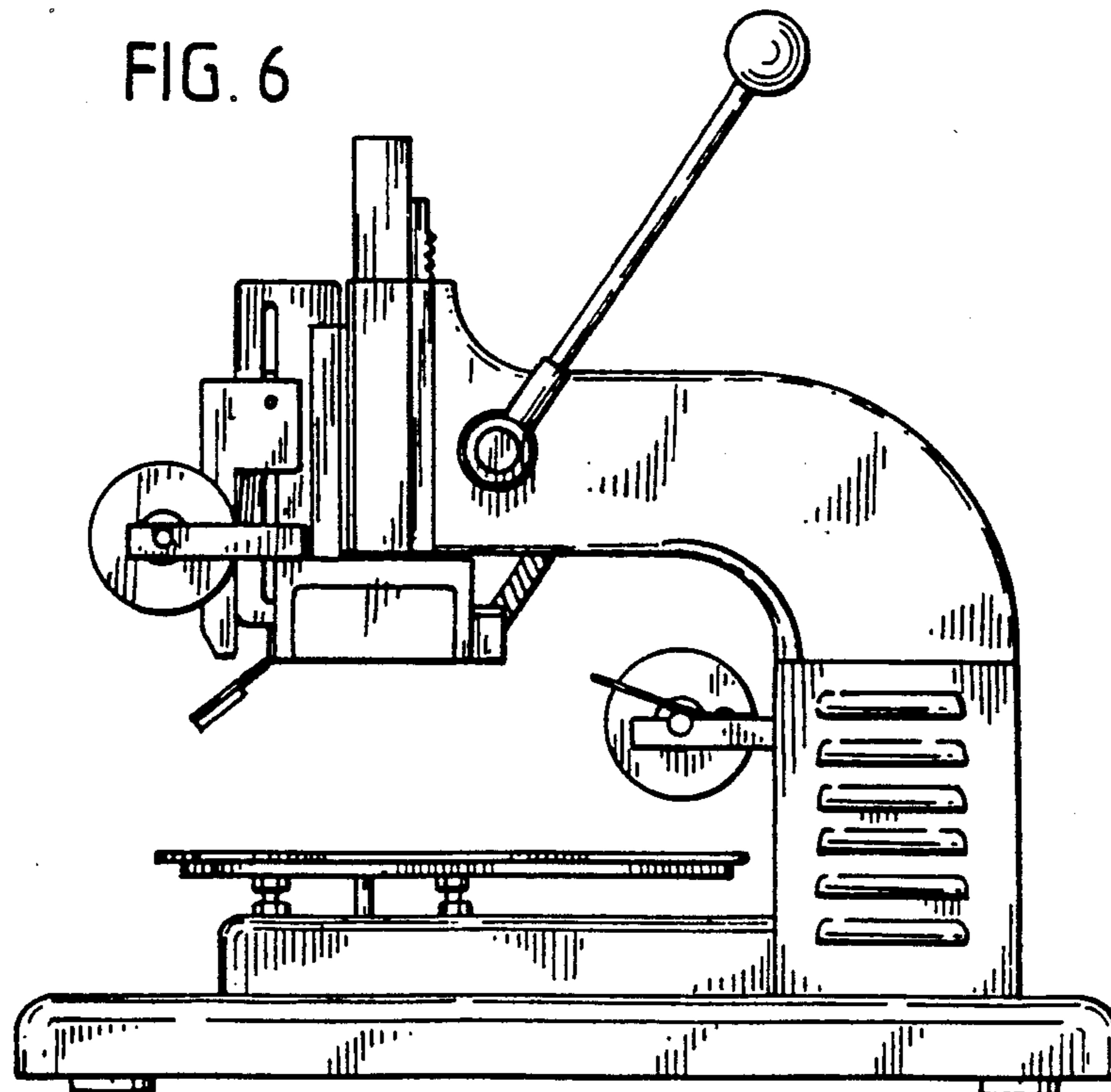


FIG. 6

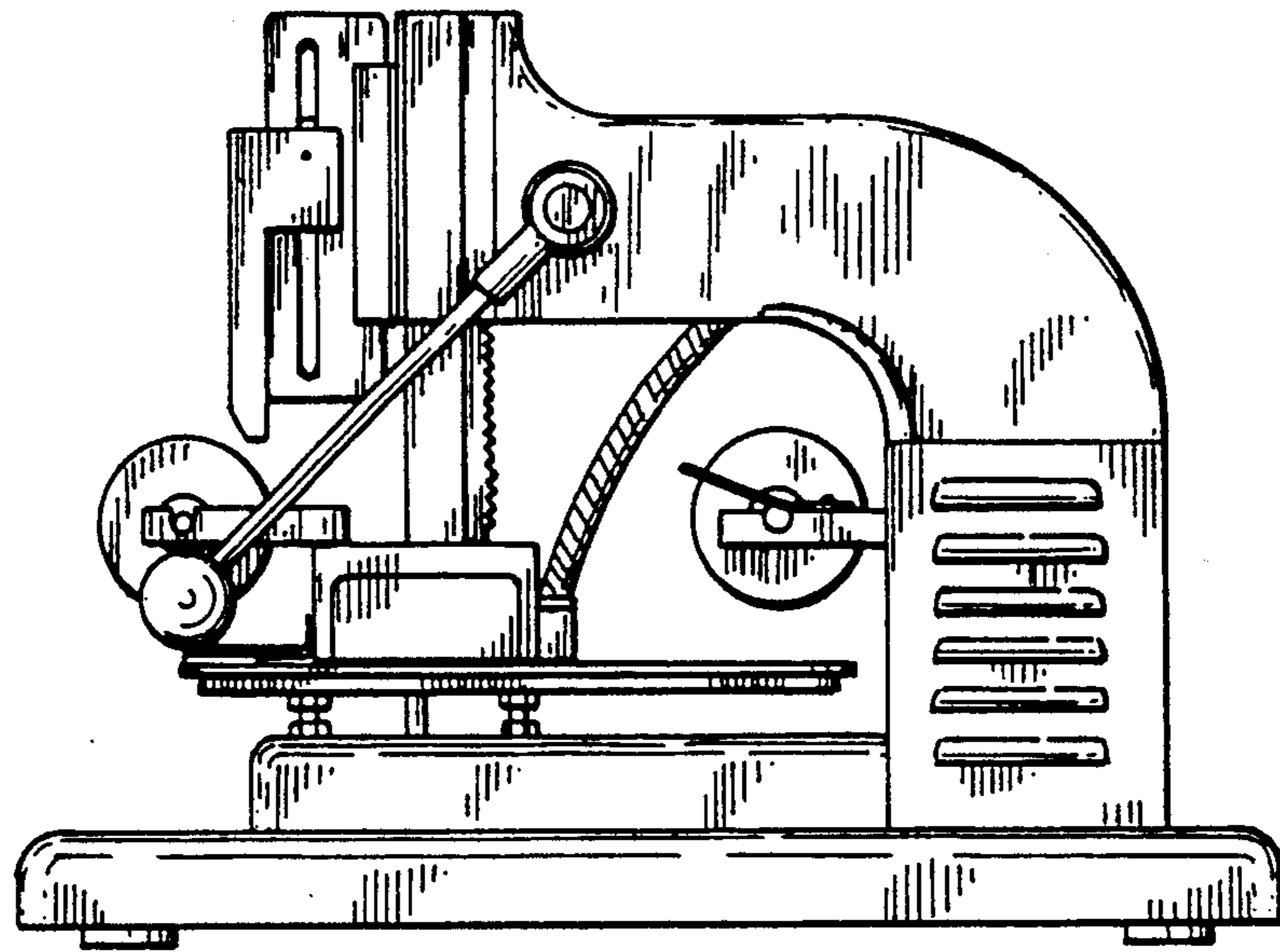


FIG. 7