

[54] **MATERIAL SPREADER FRAME**

4,657,431 4/1987 Morrison 404/108

[75] **Inventor: Donald R. Morrison, Charlotte, N.C.**

[73] **Assignee: Amida Industires, Inc., Rock Hill, S.C.**

[**] **Term: 14 Years**

[21] **Appl. No.: 159,568**

[22] **Filed: Feb. 23, 1988**

[52] **U.S. Cl. D15/13; D15/28**

[58] **Field of Search D15/10, 13, 28, 33; 404/72, 79, 101, 102, 108, 110, 119**

[56] **References Cited**

U.S. PATENT DOCUMENTS

4,375,351	3/1983	Allen	404/119
4,411,554	10/1983	Gratzfeld	404/101
4,555,200	11/1985	Morrison	404/72
4,607,979	8/1986	Morrison	404/110

OTHER PUBLICATIONS

Morrisons Material Spreader Brochure (undated).
Allen Engineering Corp. Material Spreader Brochure
©1982.

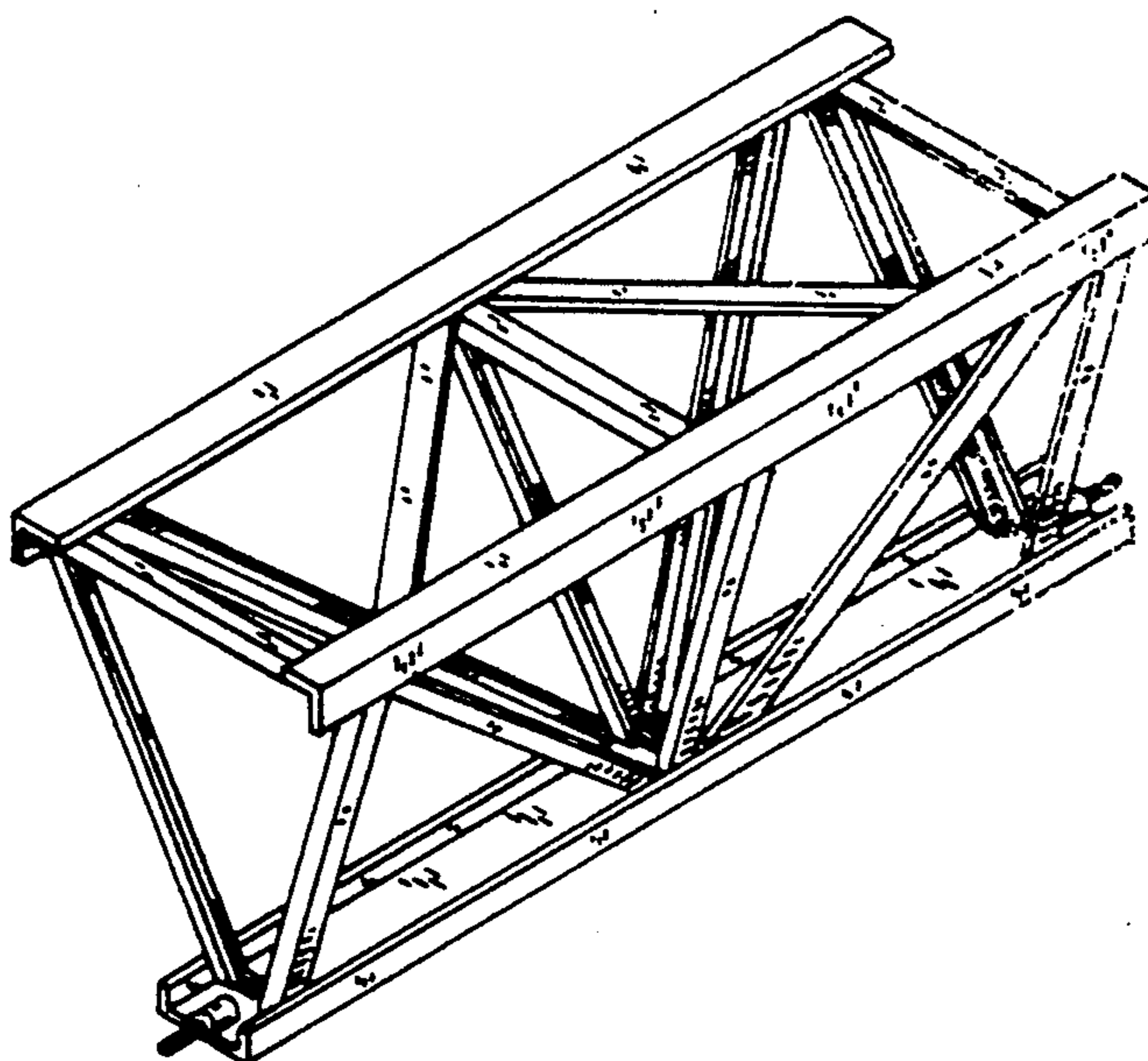
Primary Examiner—B. J. Bullock
Assistant Examiner—Sandra Morris
Attorney, Agent, or Firm—Olive & Olive

[57] **CLAIM**

The ornamental design for a material spreader frame, as shown and described.

DESCRIPTION

FIG. 1 is a top plan view of a material spreader frame showing my new design;
FIG. 2 is a bottom plan view thereof;
FIG. 3 is an end view thereof;
FIG. 4 is a side elevational view thereof;
FIG. 5 is a reduced top perspective view thereof.



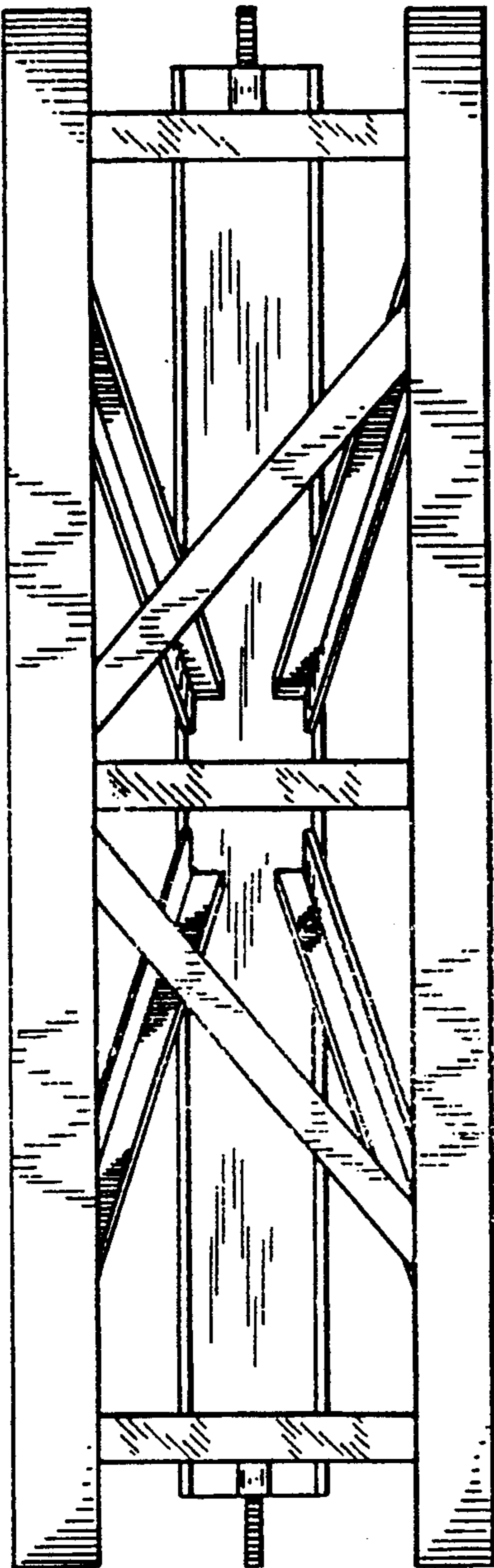


FIG. 1

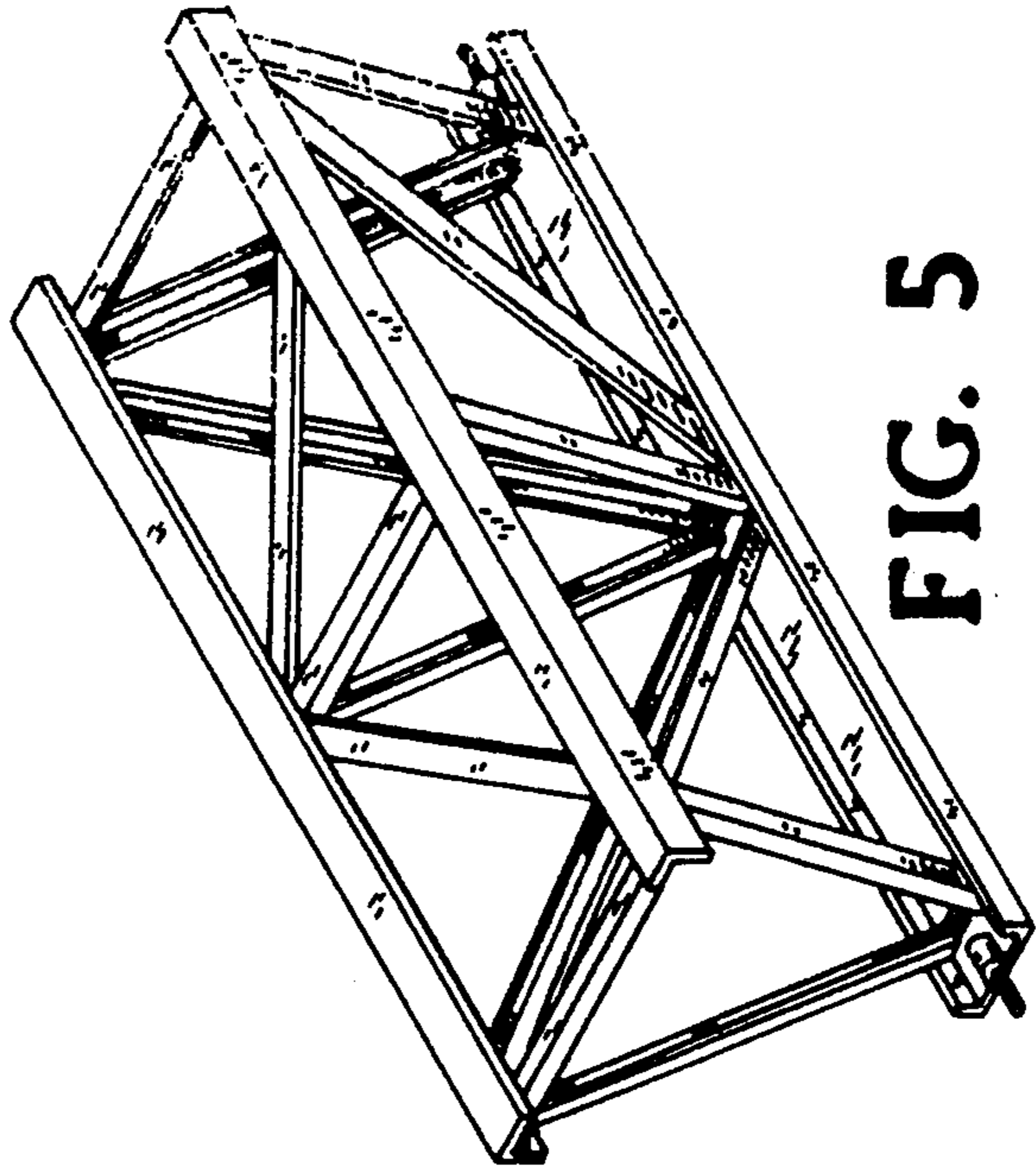


FIG. 5

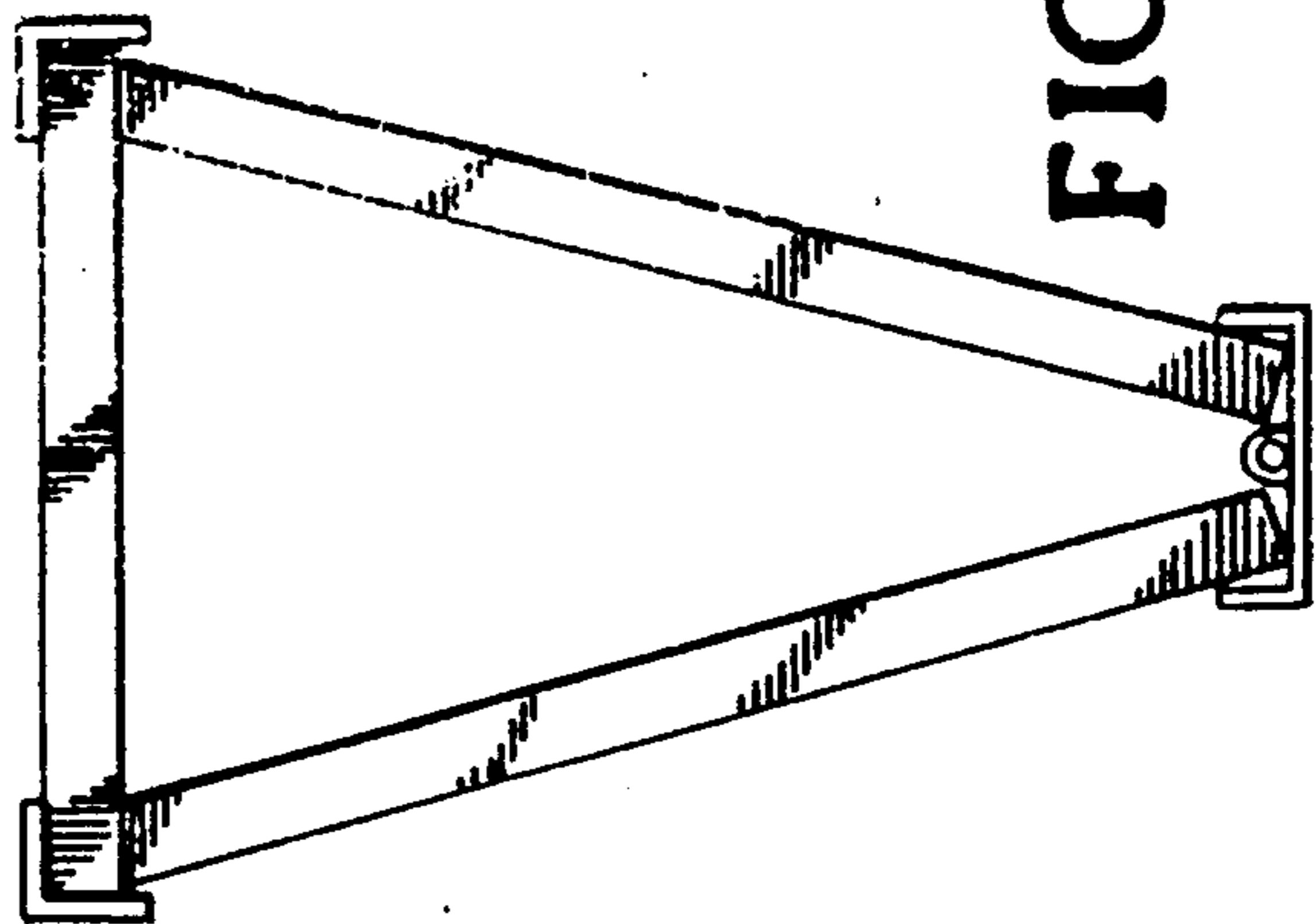


FIG. 3

FIG. 2

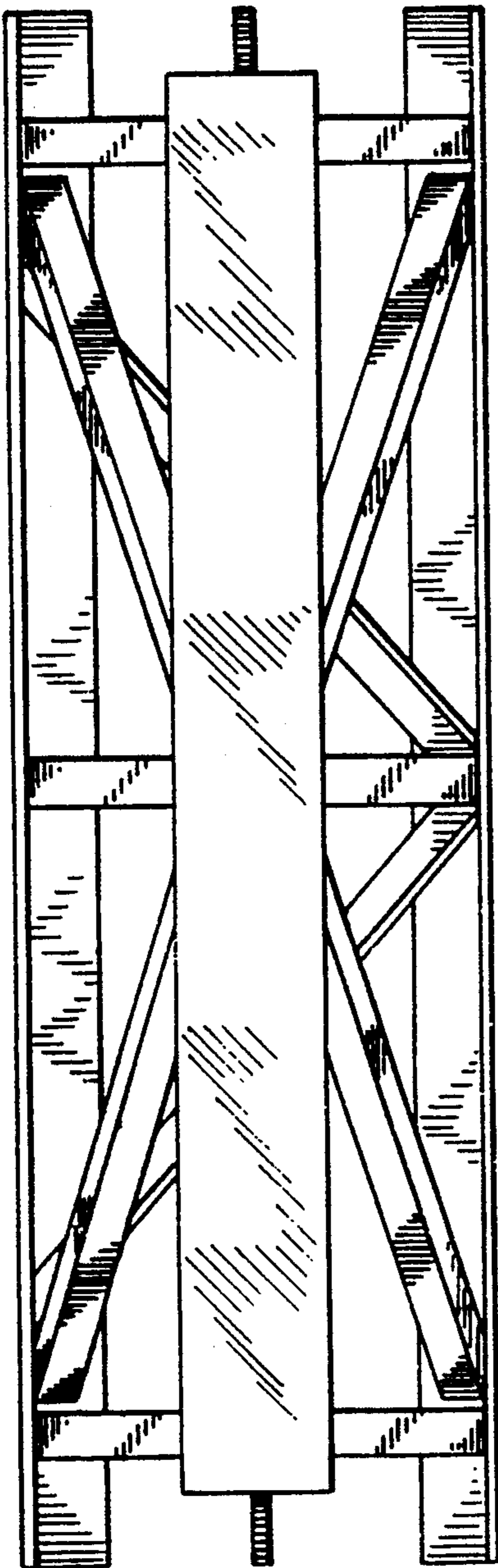


FIG. 4

