

[54] **FACSIMILE TRANSCEIVER** D. 304,450 11/1989 Hosogai et al. D14/118

[75] Inventor: **Hideo Tsuruoka**, Chiba, Japan

[73] Assignee: **Tokyo Electric Co., Ltd.**, Tokyo, Japan

[**] Term: **14 Years**

[21] Appl. No.: **168,328**

[22] Filed: **Mar. 15, 1988**

[30] **Foreign Application Priority Data**

Aug. 21, 1987 [JP]	Japan	33690/87
Aug. 21, 1987 [JP]	Japan	33691/87
Aug. 21, 1987 [JP]	Japan	33692/87

[52] U.S. Cl. **D14/118**

[58] Field of Search **D14/118, 141, 248; D18/36, 37; 358/400, 401**

[56] **References Cited**

U.S. PATENT DOCUMENTS

D. 299,494	1/1989	Tsuruoka	D14/118
D. 304,187	10/1989	Komatsu	D14/118

OTHER PUBLICATIONS

Today's Office; Nov. 1986; p. 69; top right-DigitalFax. Office Products Dealer; Nov. 1987; p. 91; Teli Vax-aFax.

Modern Office Technology; Oct. 1987; p. 109; bottom left-Ricoh Models FAX20 and FAX60.

Primary Examiner—Theodore M. Shooman
Attorney, Agent, or Firm—Bacon & Thomas

[57] **CLAIM**

The ornamental design for a facsimile transceiver, as shown and described.

DESCRIPTION

FIG. 1 is a front elevational view of a facsimile transceiver showing my new design; FIG. 2 is a top plan view thereof; FIG. 3 is a right side elevational view thereof; FIG. 4 is a rear elevational view thereof; FIG. 5 is a left side elevational view thereof; and FIG. 6 is a bottom plan view thereof.

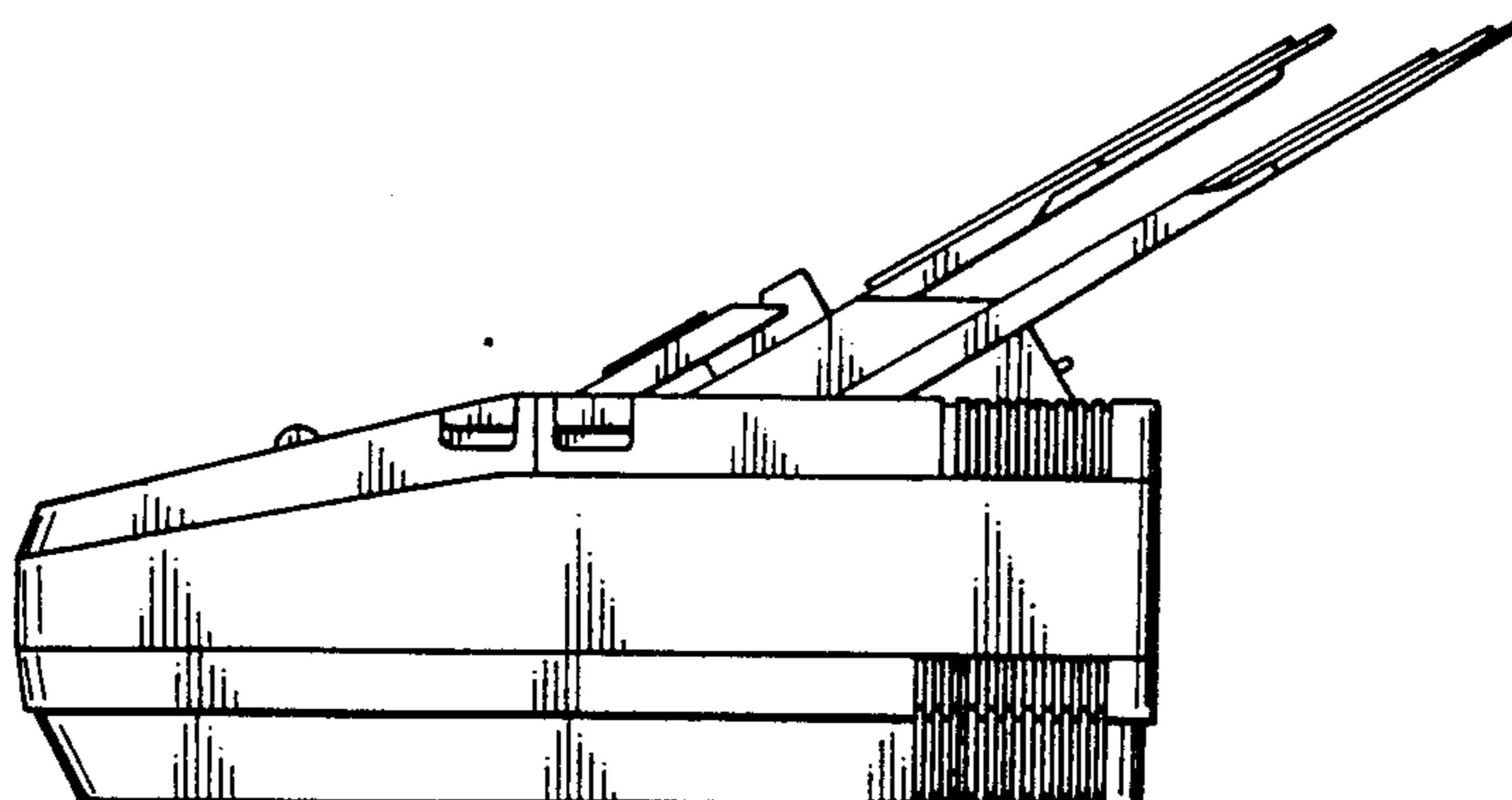
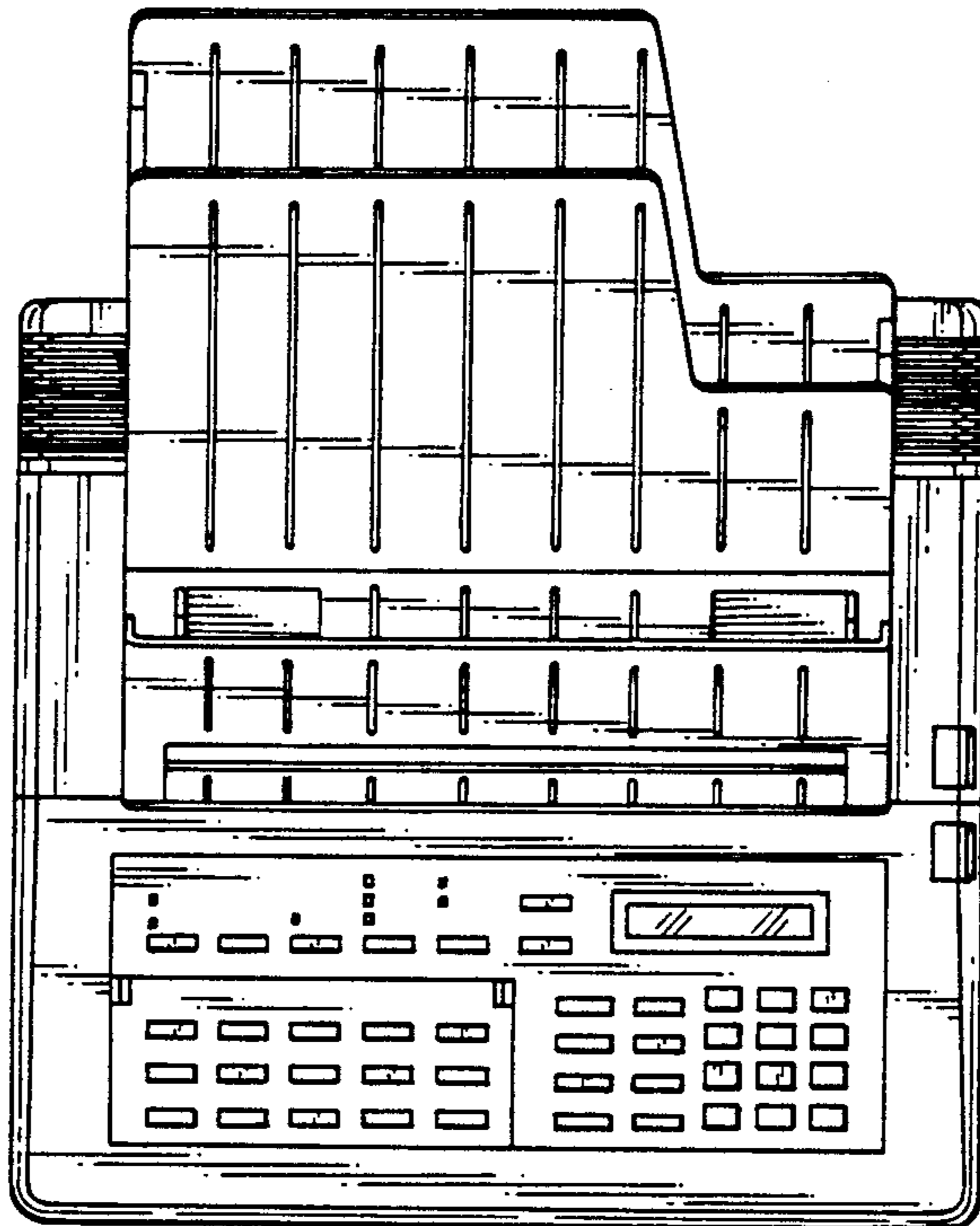


FIG. 2

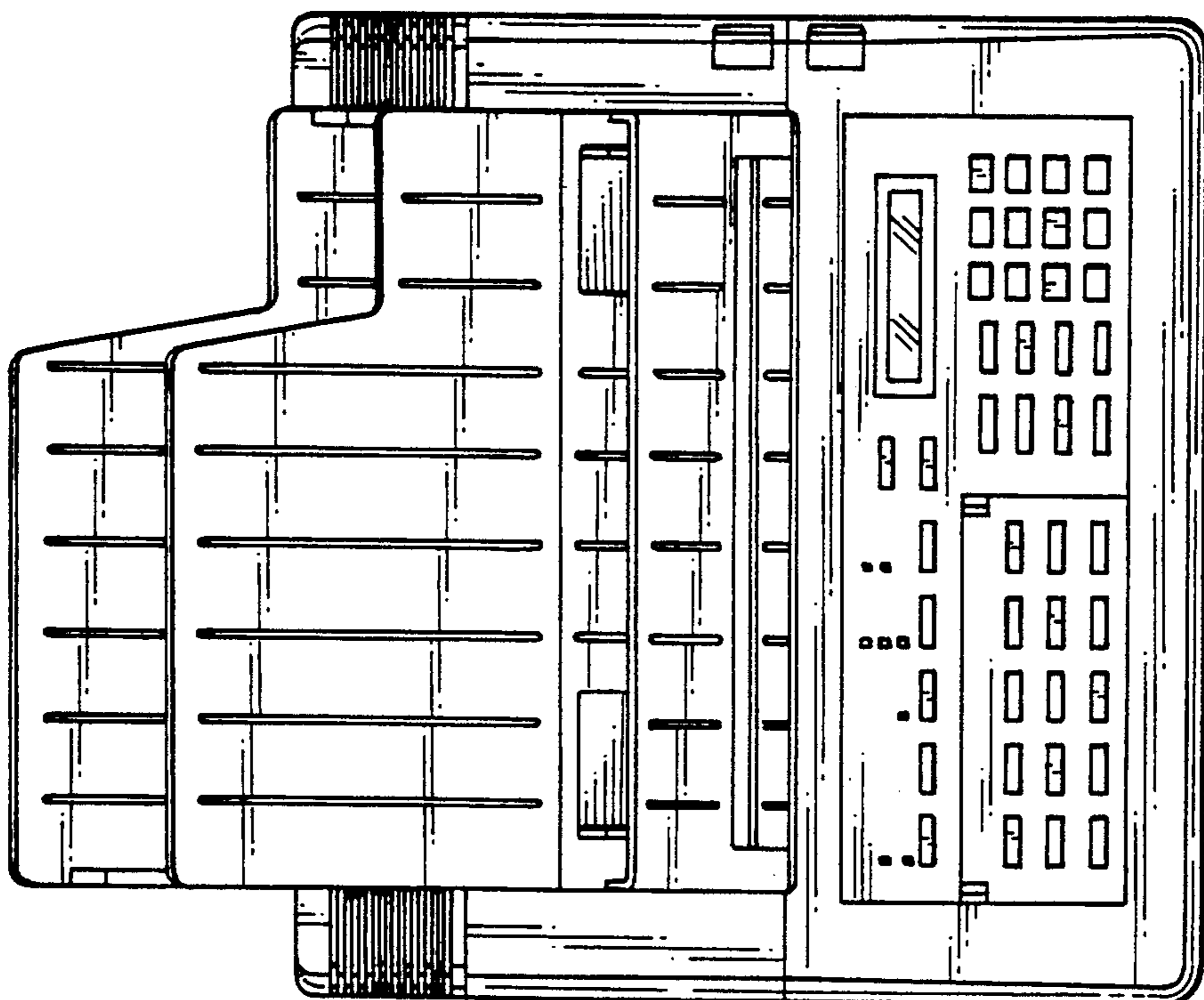


FIG. 1

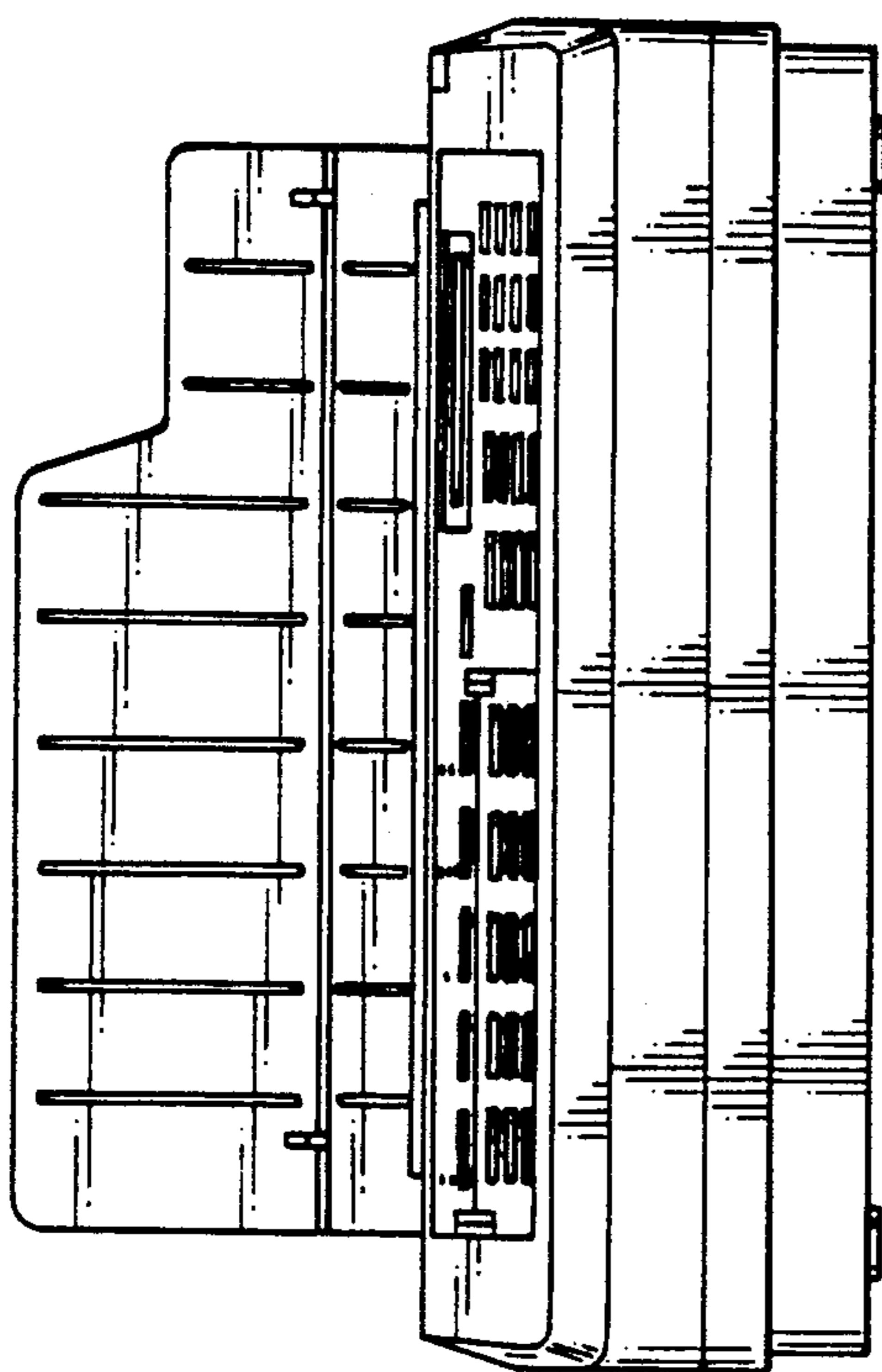


FIG. 3

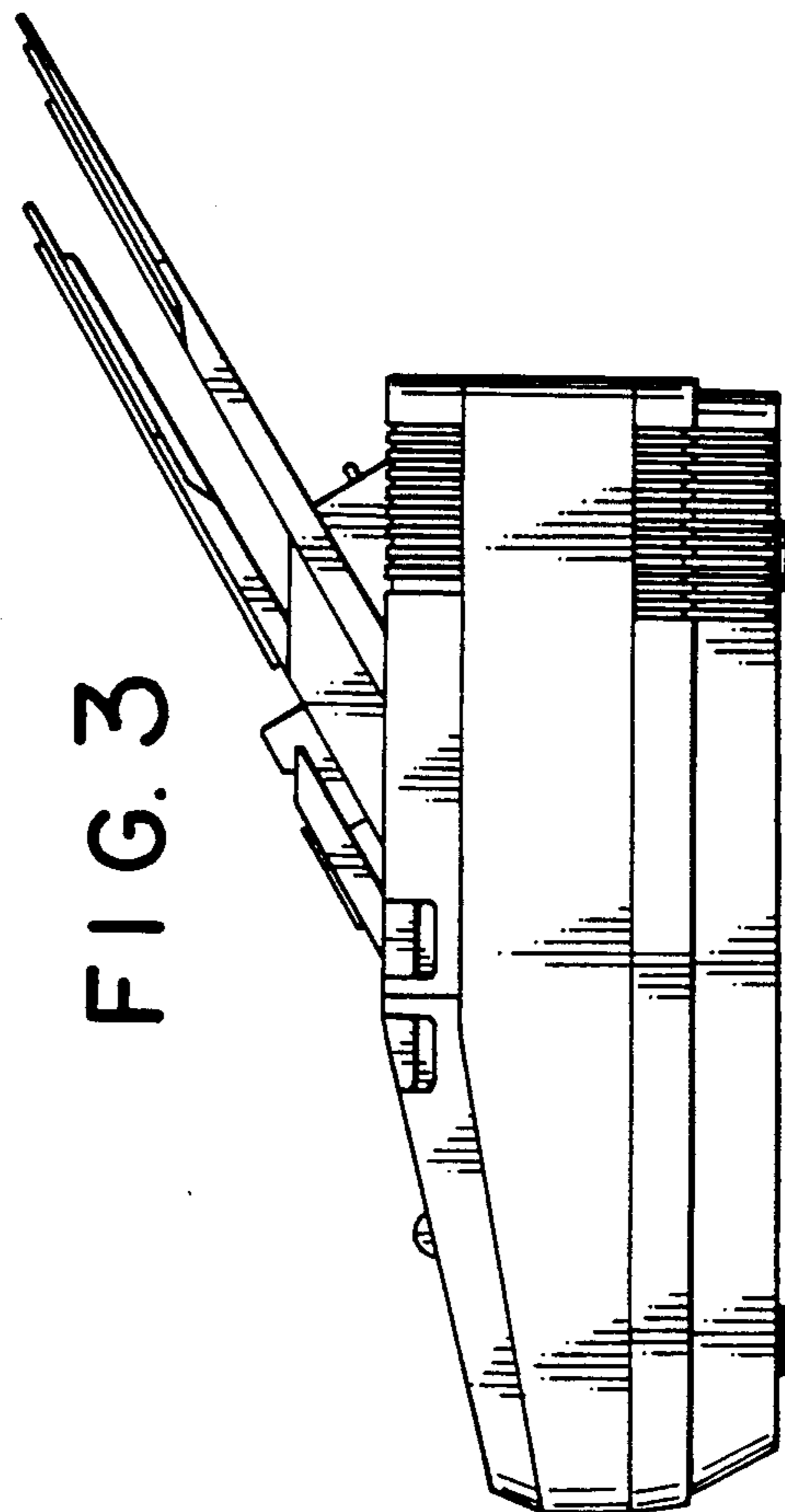


FIG. 6

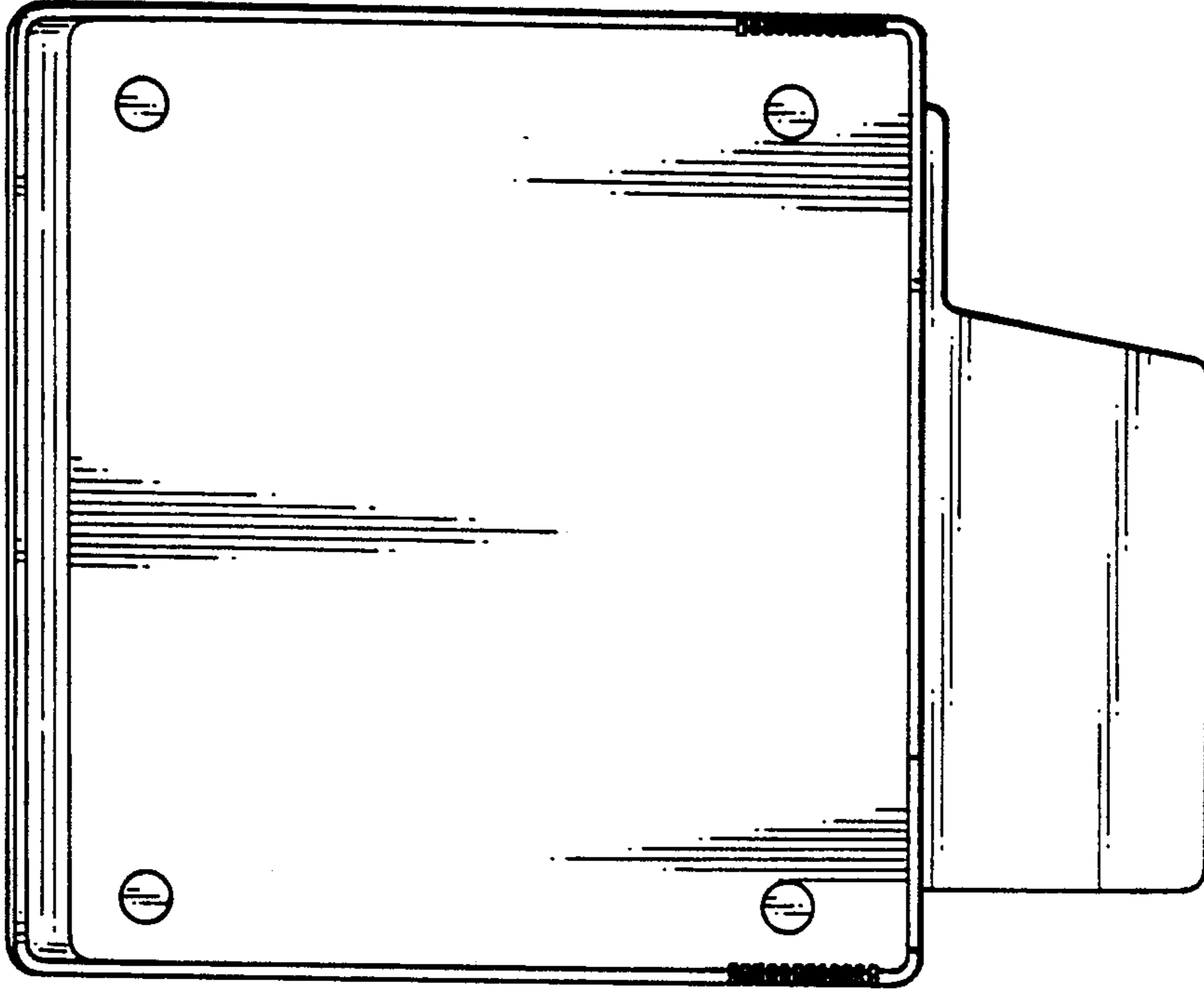


FIG. 4

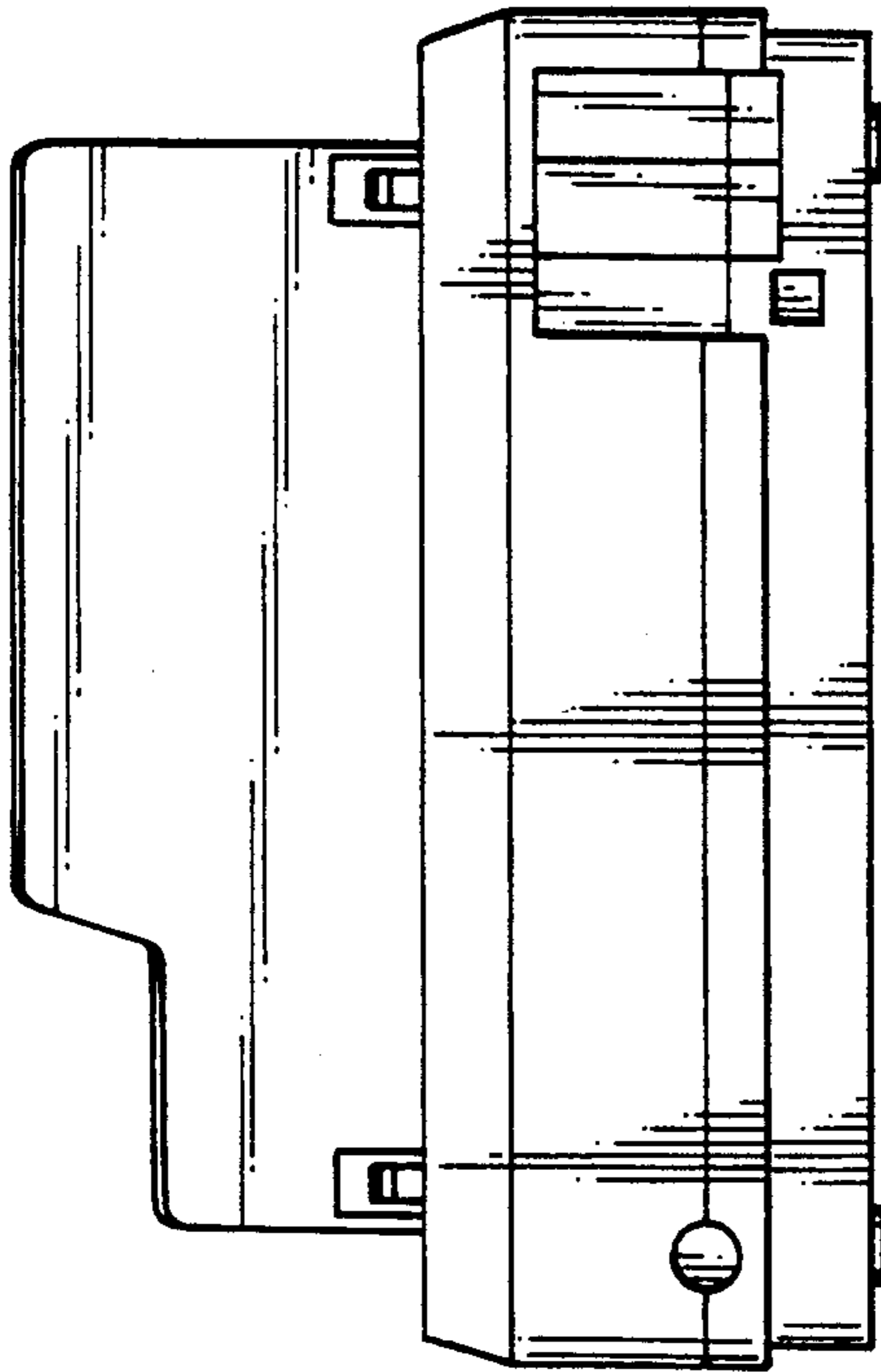


FIG. 5

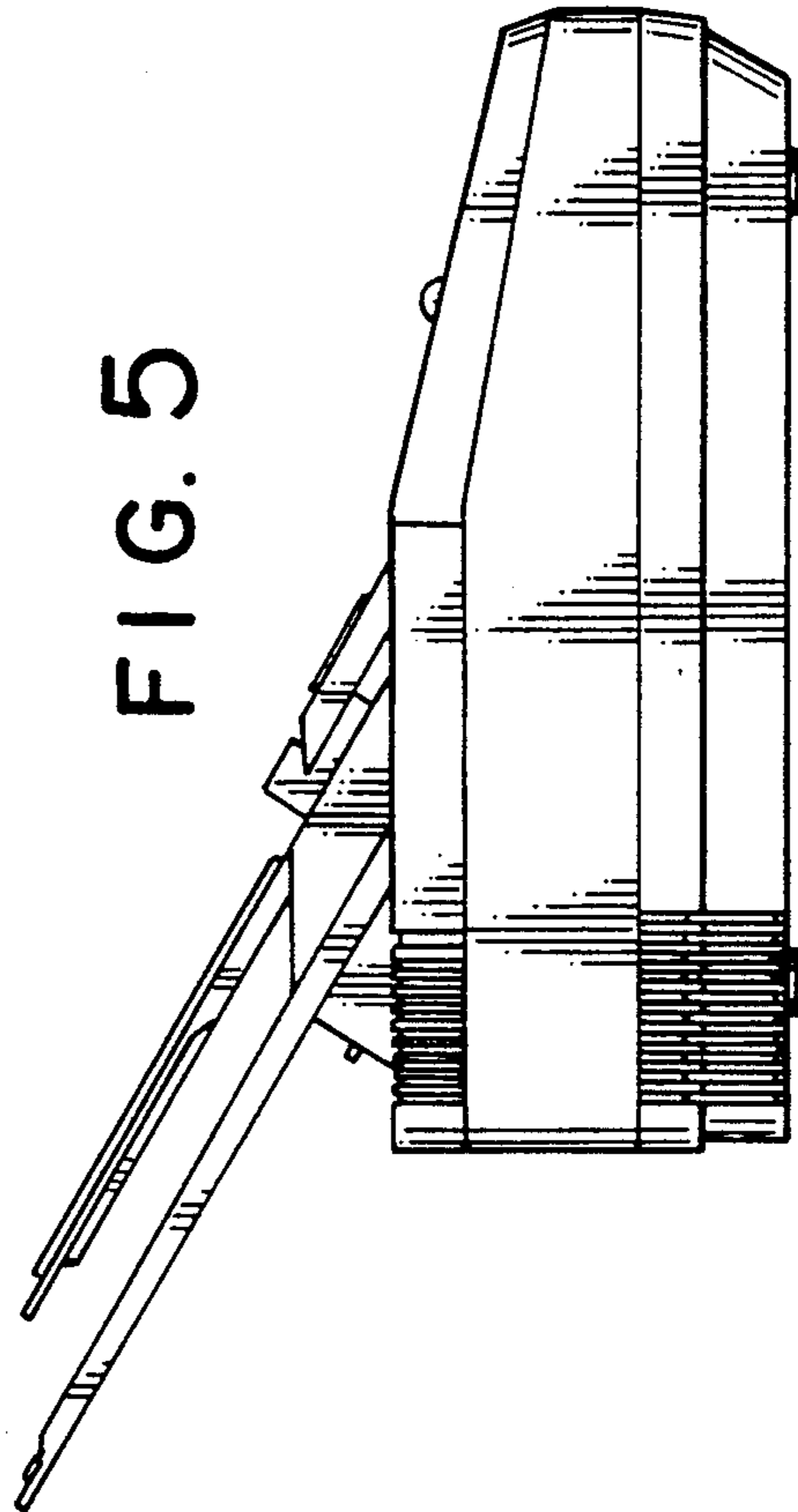


FIG. 8

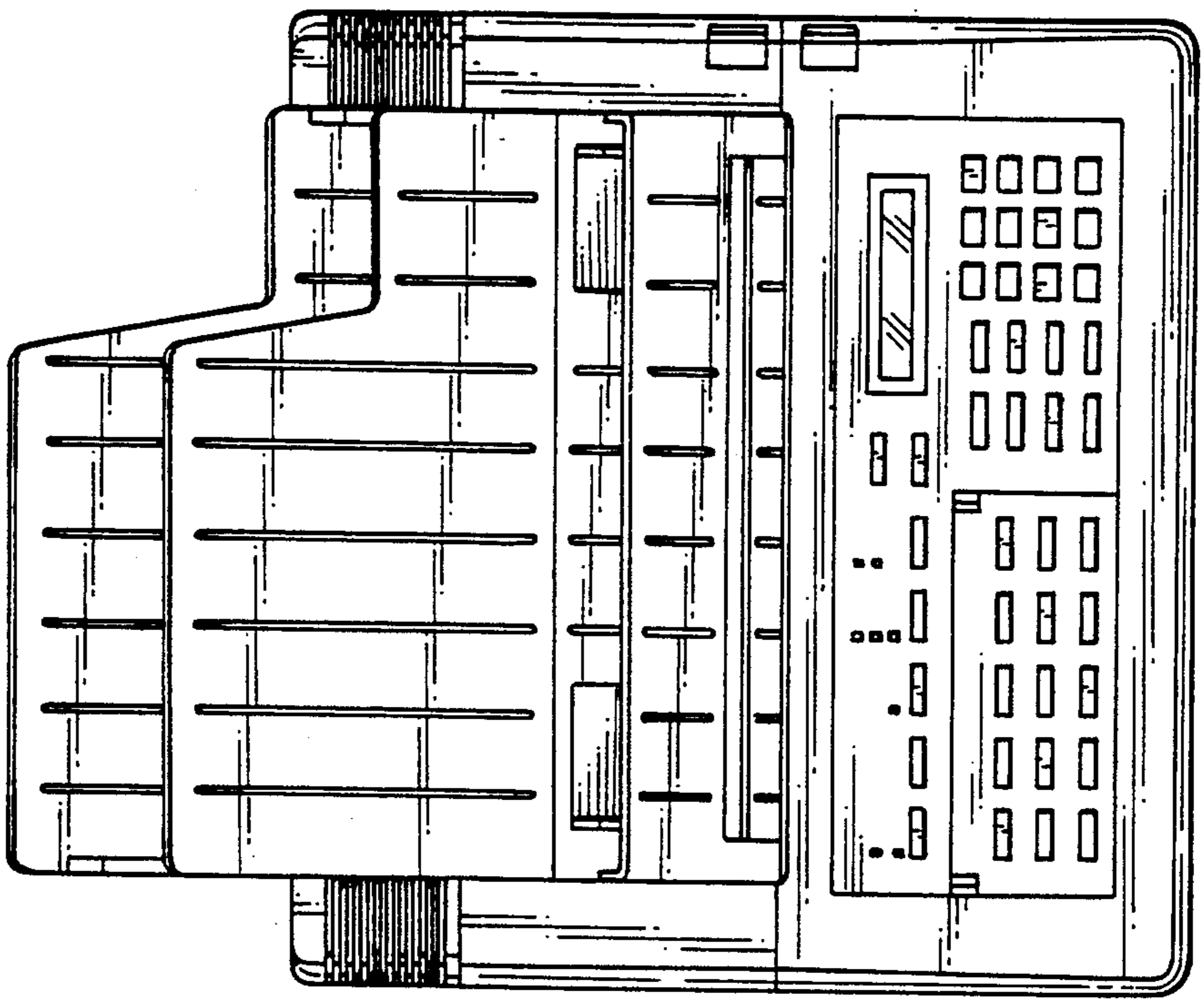


FIG. 7

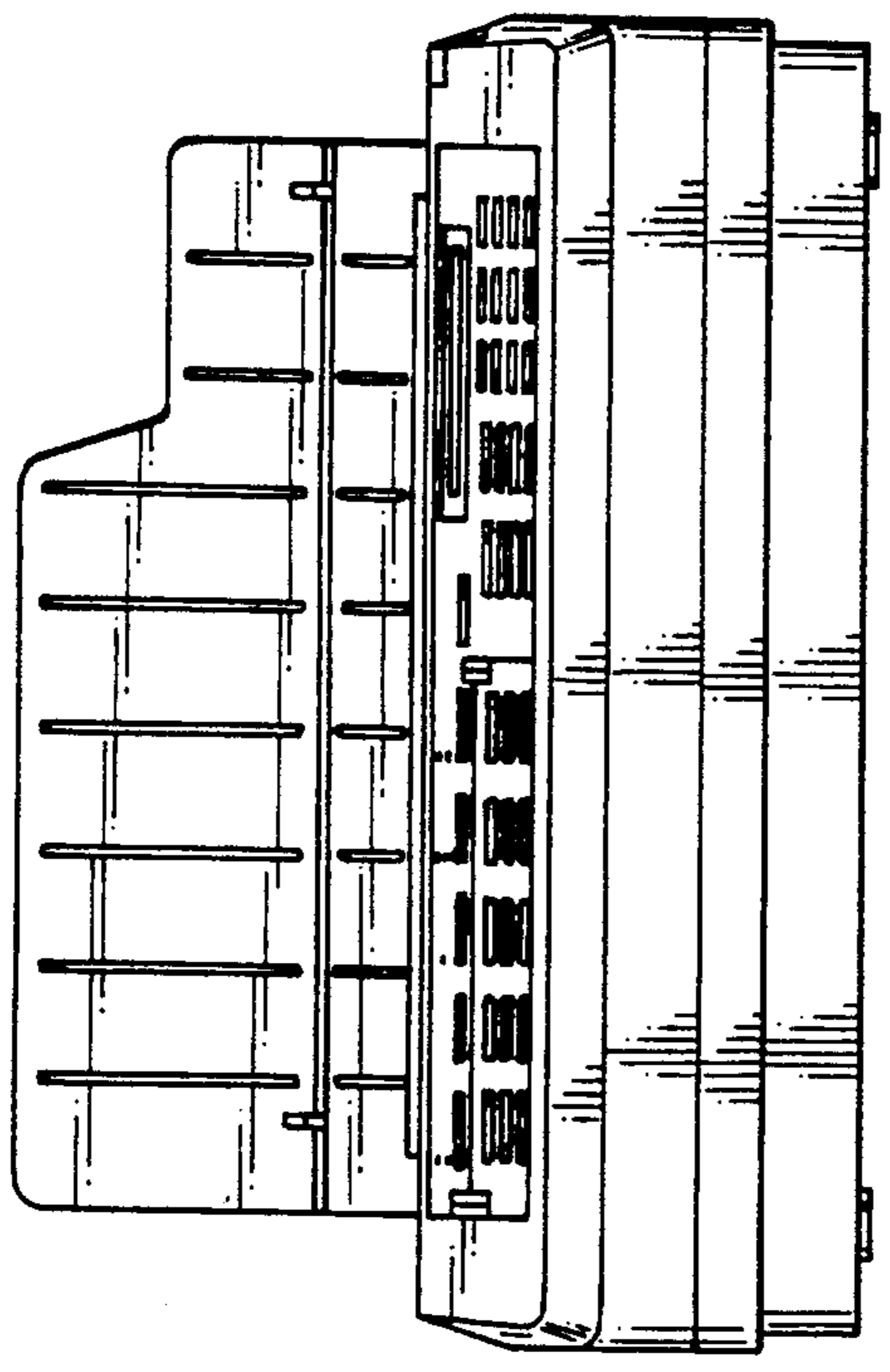


FIG. 9

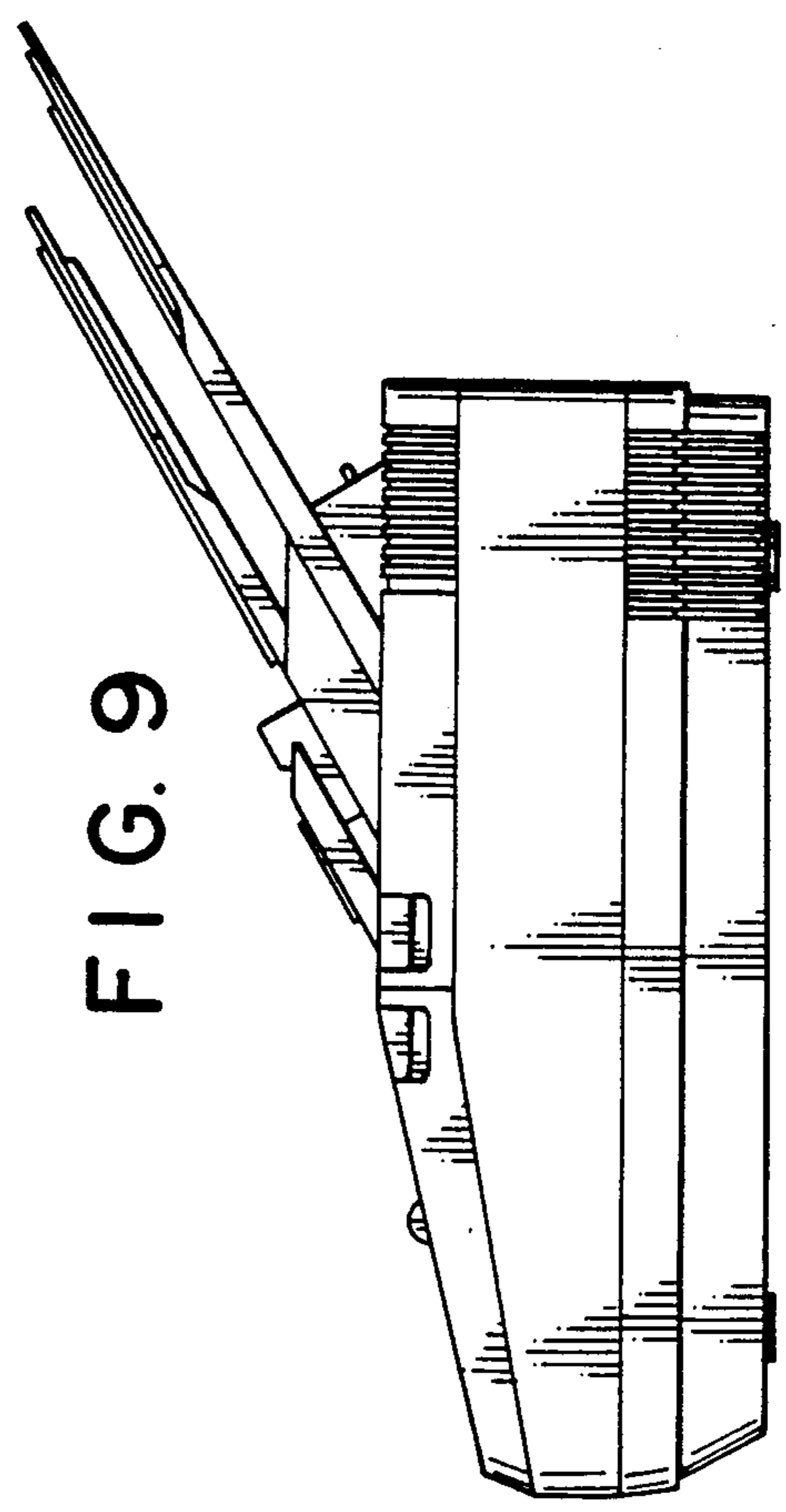


FIG. 12

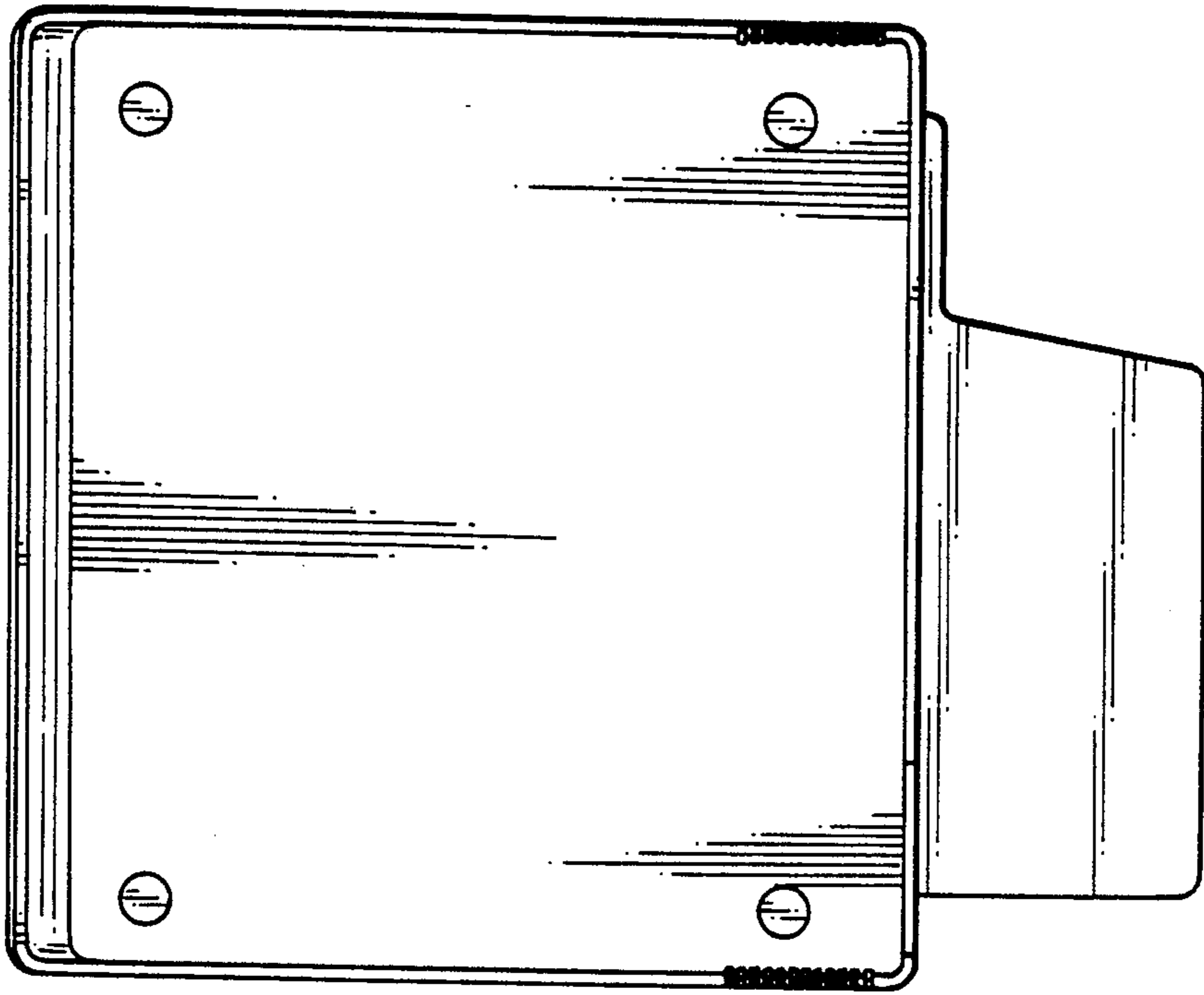


FIG. 10

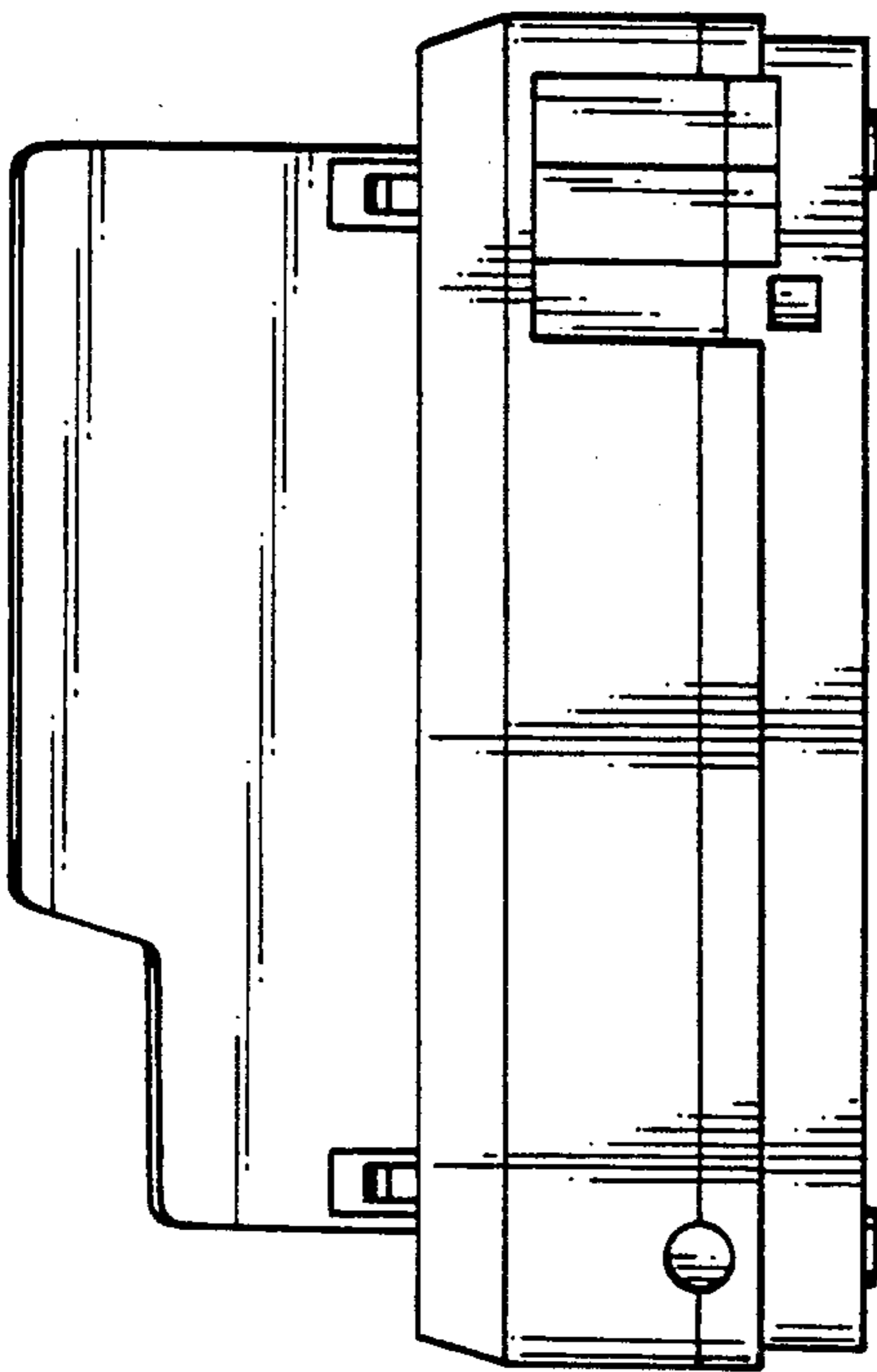


FIG. 11

