

[54] FRONT PANEL FOR PERSONAL COMPUTER

[75] Inventor: George E. Martin, Austin, Tex.

[73] Assignee: Compuadd Corporation, Austin, Tex.

[**] Term: 14 Years

[21] Appl. No.: 270,125

[22] Filed: Nov. 11, 1988

[52] U.S. Cl. D14/115

[58] Field of Search D14/100, 101, 106, 113, D14/114, 115, 124, 125; D18/1, 7, 11, 12; 340/700, 706, 711, 712; 358/249, 254; 364/706-710

[56] References Cited

U.S. PATENT DOCUMENTS

- D. 249,945 10/1978 Freijd D14/115
- D. 257,510 11/1980 Fow et al. D14/115
- D. 277,482 2/1985 Matsuda et al. D14/239
- D. 281,940 12/1985 Steventon et al. D14/124 X
- D. 289,875 5/1987 Satherley D14/115

- D. 293,785 1/1988 Wysong et al. D14/239
- D. 300,930 5/1989 Kerezman et al. D14/115
- D. 302,428 7/1989 Klebba D14/115

Primary Examiner—Wallace R. Burke
Assistant Examiner—Freda S. Nunn
Attorney, Agent, or Firm—Baker & Botts

[57] CLAIM

The ornamental design for front panel for personal computer, as shown and described.

DESCRIPTION

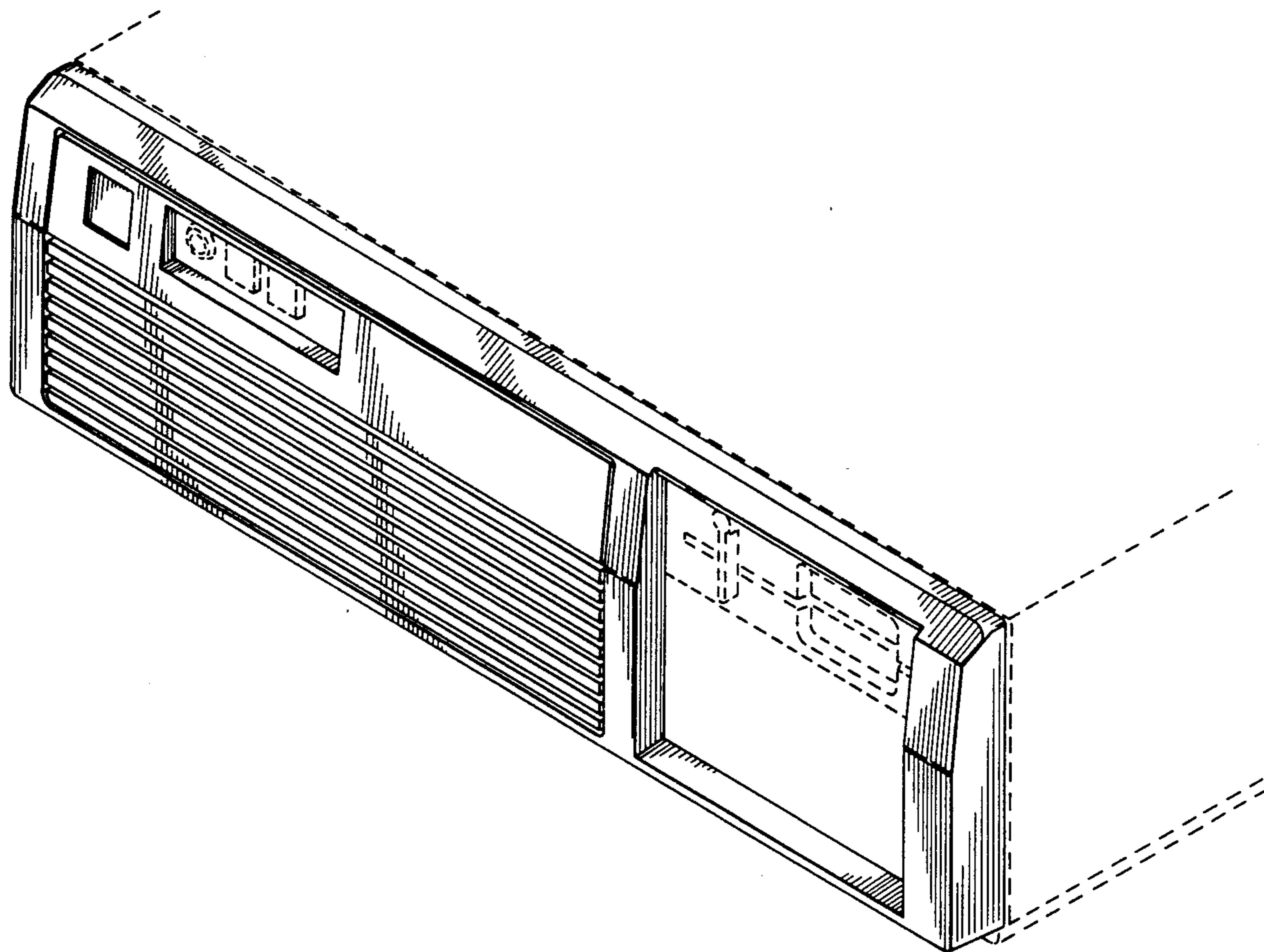
FIG. 1 is a top, front, side perspective view of a front panel for personal computer showing my new design, the computer and control elements being shown in broken lines for illustrative purposes only and form no part of the claimed design;

FIG. 2 is a front elevational view thereof;

FIG. 3 is a top plan view thereof;

FIG. 4 is a bottom plan view thereof; and

FIG. 5 is a side elevational view thereof, the opposite side elevational view being a mirror image of that shown.



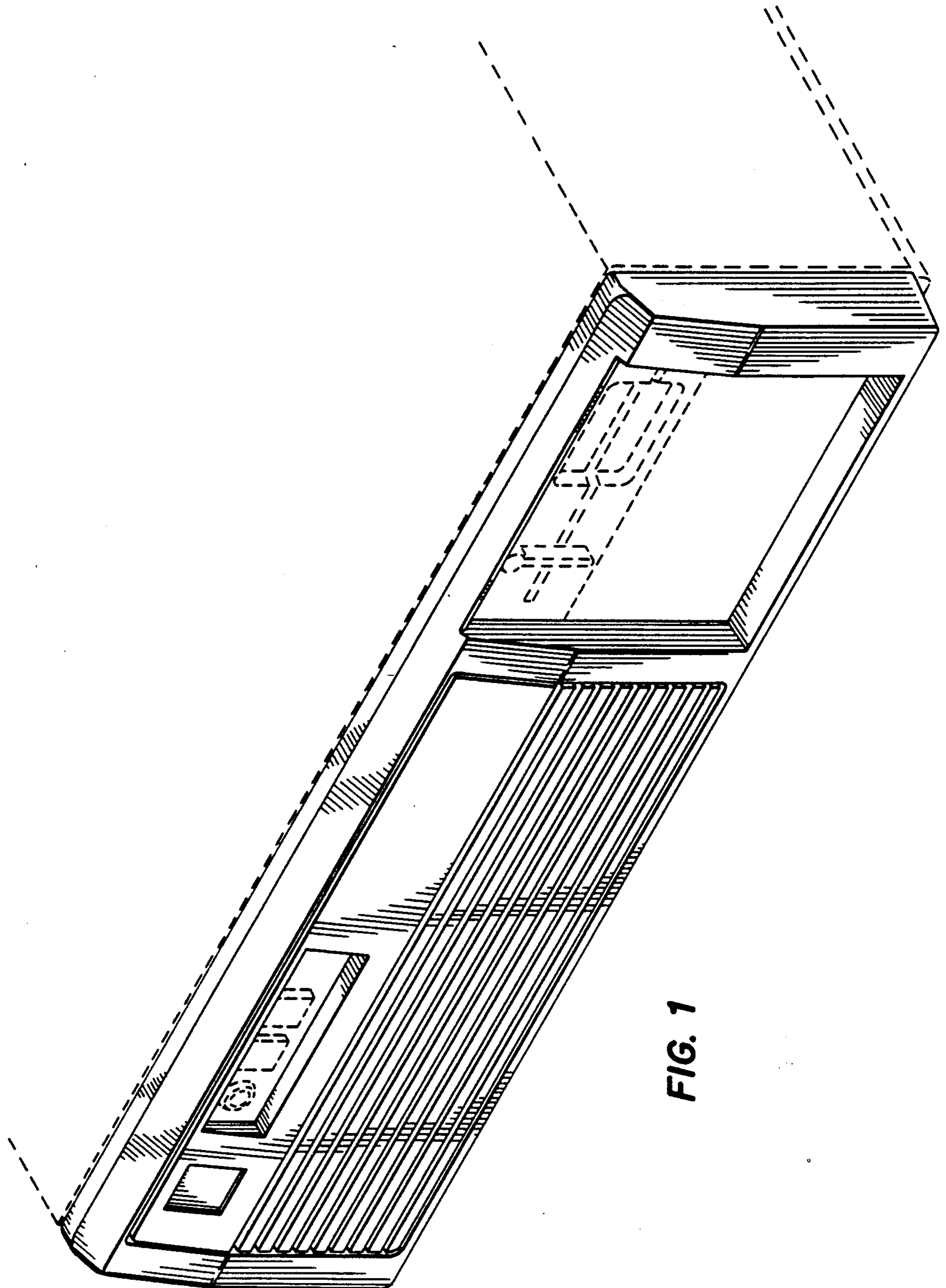


FIG. 1

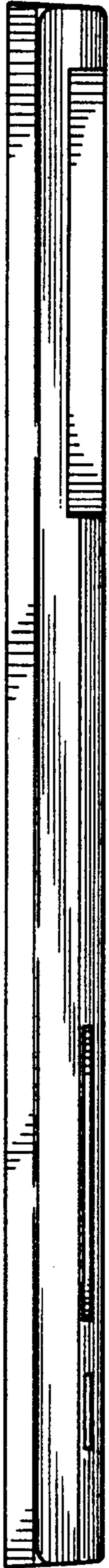


FIG. 3

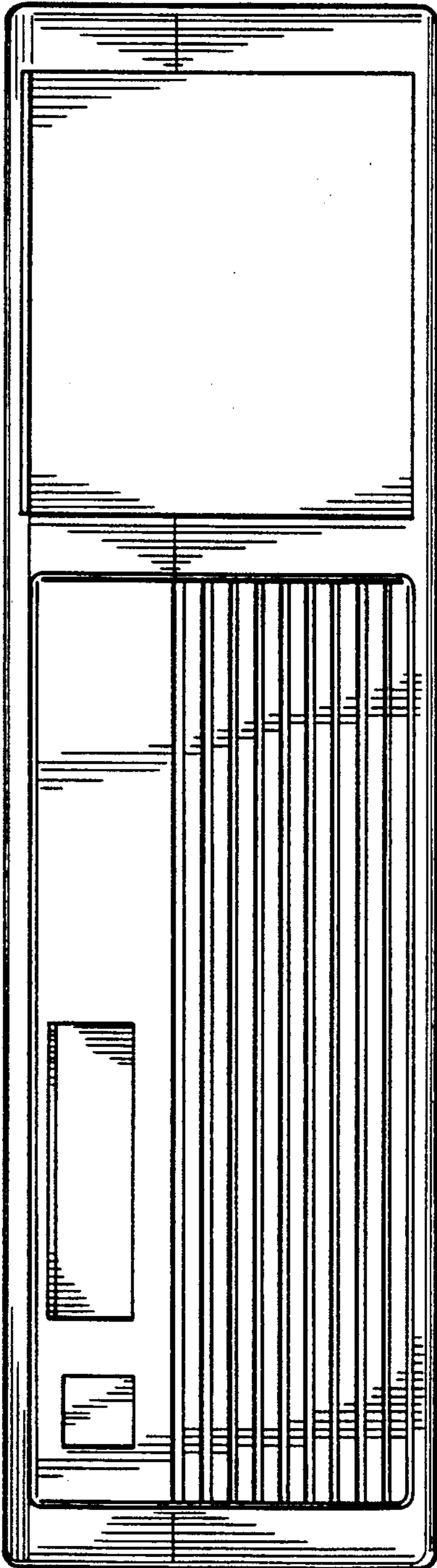


FIG. 2

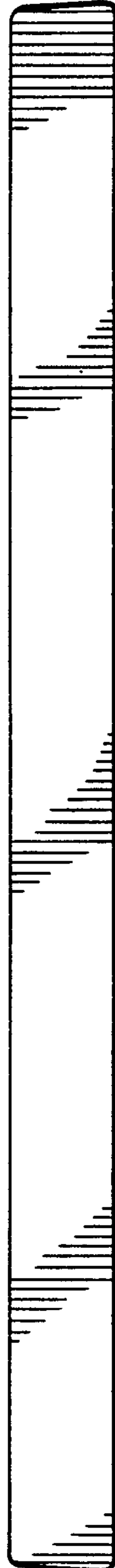


FIG. 4

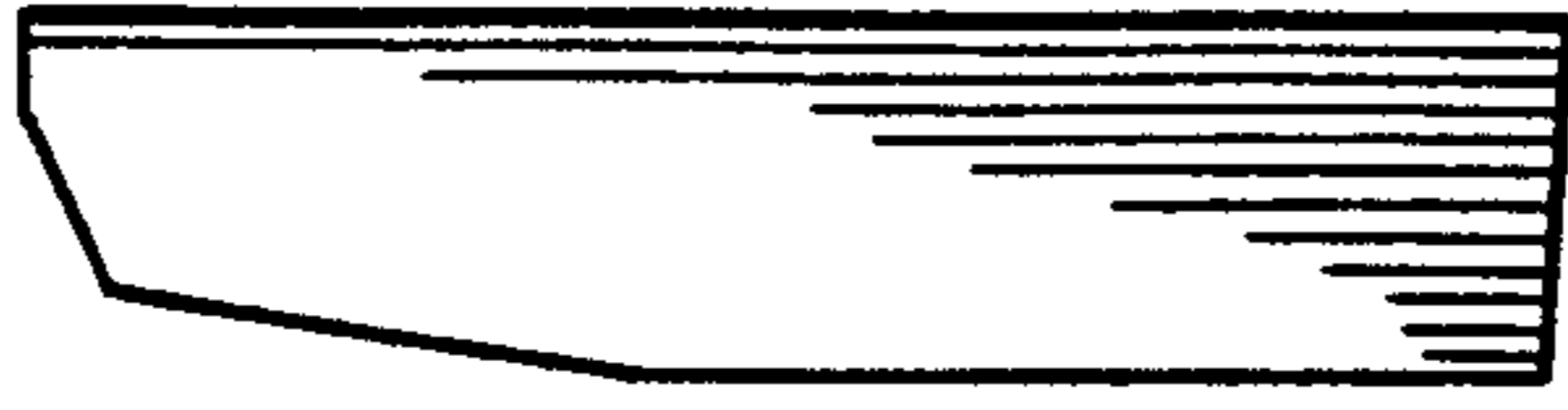


FIG. 5