

United States Patent [19]

Davis et al.

[11] Patent Number: **Des. 314,565**

[45] Date of Patent: **** Feb. 12, 1991**

[54] **DOCUMENT HOLDER FOR ATTACHMENT TO A COMPUTER KEYBOARD**

[75] Inventors: **Dale G. Davis, Warren, Mich.; Shane E. Davis, 8228 Paige, Warren, Mich. 48089**

[73] Assignee: **Shane E. Davis, Warren, Mich.**

[*] Notice: The portion of the term of this patent subsequent to Feb. 12, 2005 has been disclaimed.

[**] Term: **14 Years**

[21] Appl. No.: **92,286**

[22] Filed: **Sep. 2, 1987**

[52] U.S. Cl. **D14/114**

[58] Field of Search D14/100, 106, 114; D6/512, 567, 419, 449, 509; 24/455, 488, 67.1, 67.5; 40/341, 353, 354; 211/45; 248/127, 146, 152, 218.4, 205.1, 176, 225.1, 231.3, 289.1, 298, 316.2, 316.3, 442.2, 452, 447, 447.1, 917-925

[56] **References Cited**

U.S. PATENT DOCUMENTS

D. 283,320 4/1986 Yomo D6/509 X

3,106,799 10/1963 Gawthrop 248/452
4,475,705 10/1984 Henneberg et al. 248/442.2 X
4,546,947 10/1985 Gesten 248/442.2
4,619,429 10/1986 Mazza 248/442.2 X
4,632,471 12/1986 Visnapuu 248/442.2 X
4,693,443 9/1987 Drain 248/918 X
4,836,489 6/1989 Chu 248/442.2

Primary Examiner—Wallace R. Burke
Assistant Examiner—Freda S. Nunn
Attorney, Agent, or Firm—Krass & Young

[57] CLAIM

The ornamental design for document holder for attachment to a computer keyboard, as shown and described.

DESCRIPTION

FIG. 1 is a front perspective view of a document holder for attachment to a computer keyboard, showing our new design thereof, the monitor and keyboard are shown in broken lines for illustrative purposes only and form no part of the claimed design;

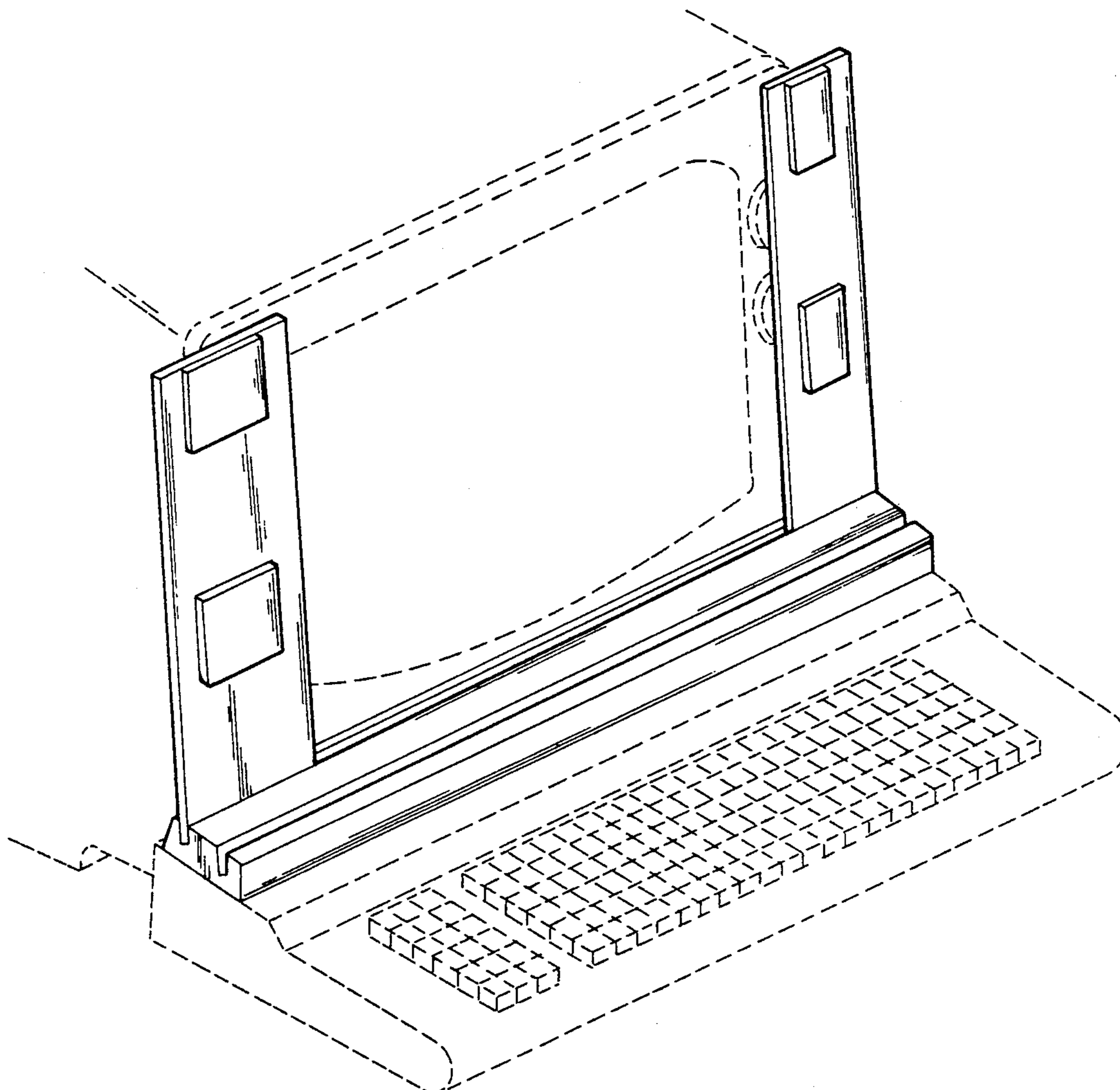
FIG. 2 is a front elevational view thereof;

FIG. 3 is a top plan view thereof;

FIG. 4 is a bottom plan view thereof;

FIG. 5 is a right side elevational view thereof, the left side being a mirror image; and

FIG. 6 is a rear elevational view thereof.



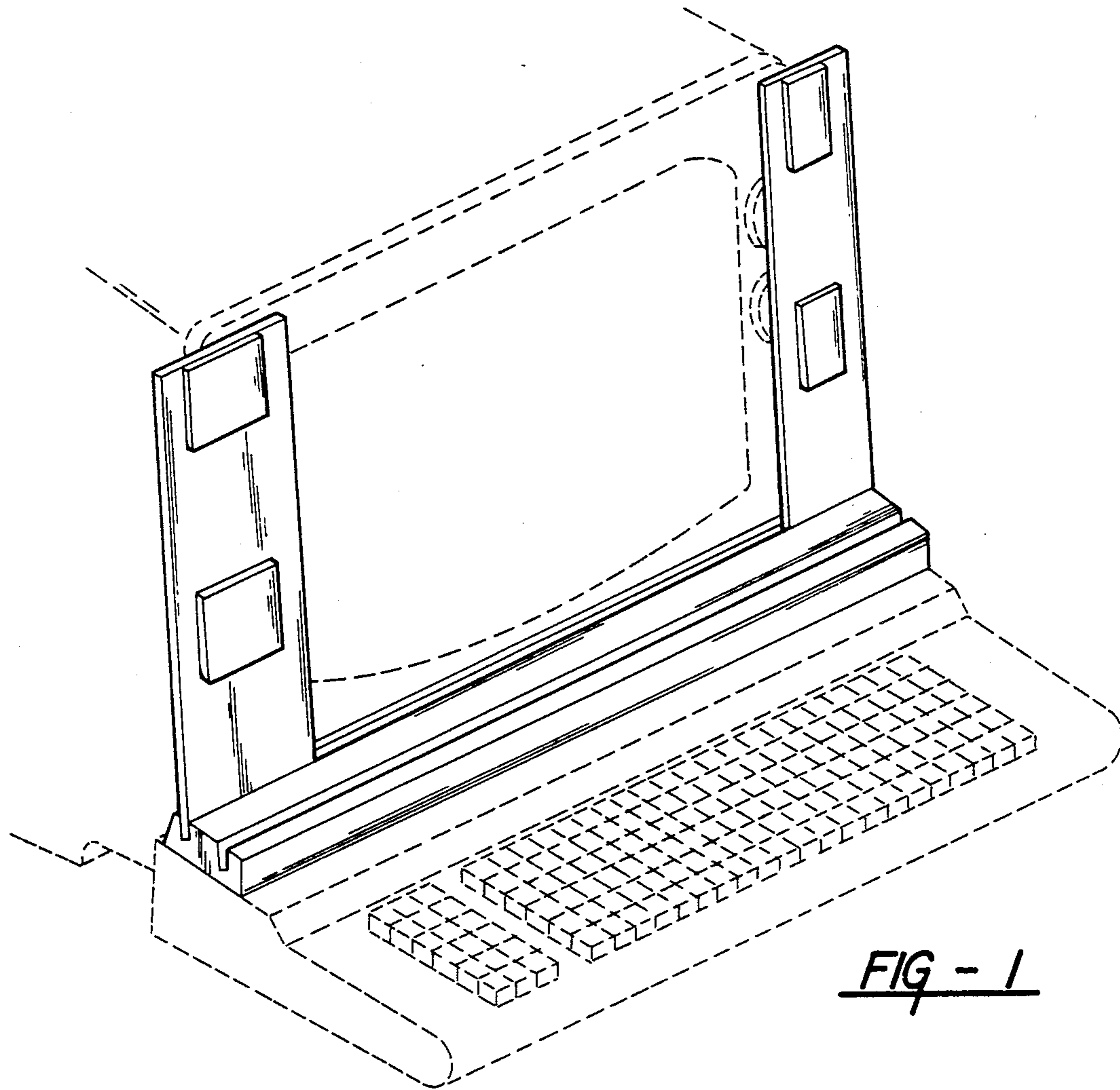


FIG - 1

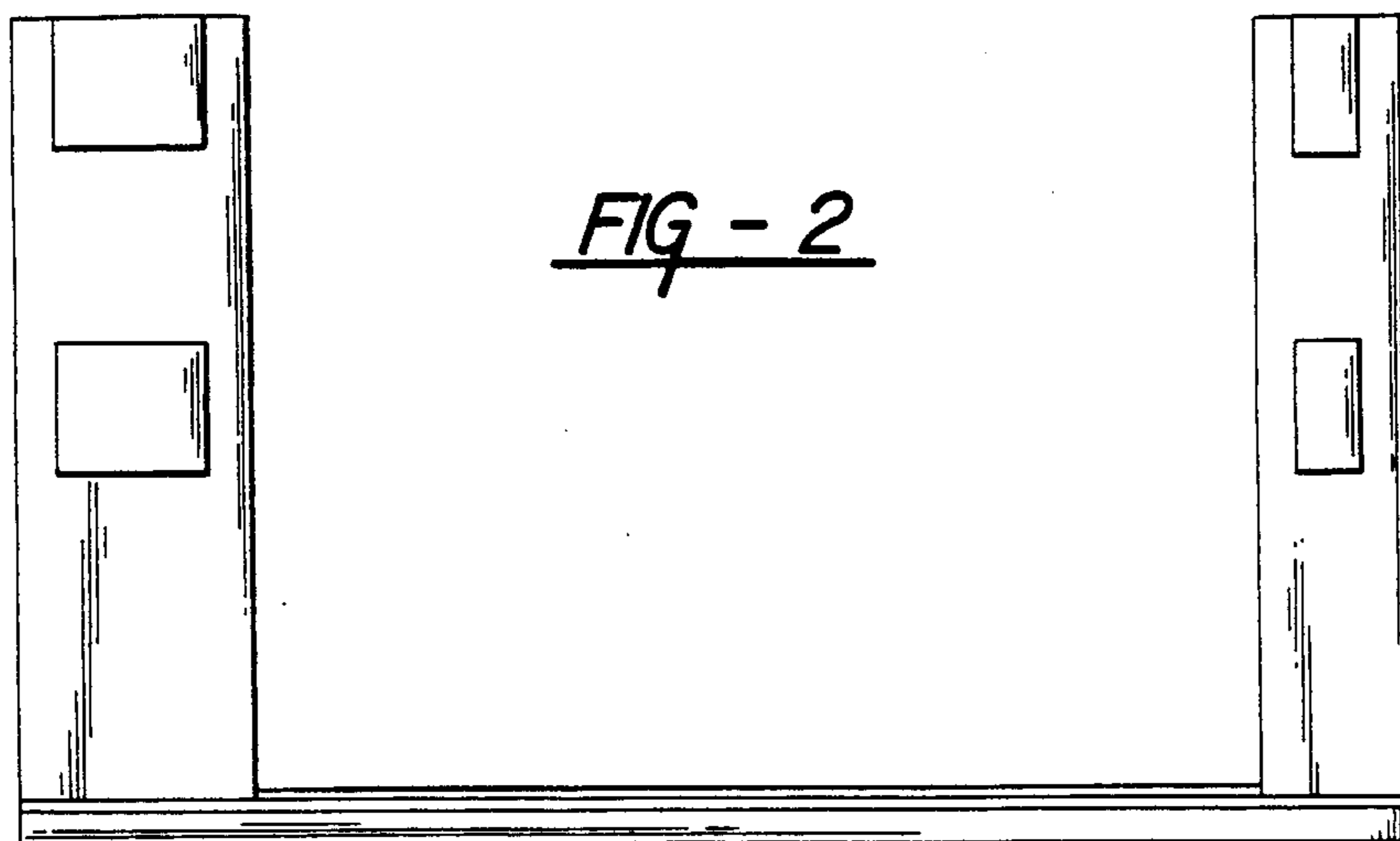


FIG - 2

