

[54] DISPLAY FOR PERSONAL COMPUTER

[75] Inventors: Douglas R. Grundstrom, San Jose; Dennis J. Boyle, Menlo Park; Nelson S. Au, Foster City; Michael J. Nuttal, Palo Alto; Matthew A. Herron, Menlo Park, all of Calif.

[73] Assignee: Dynabook Technologies Corporation, Westlake Village, Calif.

[\*\*] Term: 14 Years

[21] Appl. No.: 288,109

[22] Filed: Dec. 22, 1988

[52] U.S. Cl. .... D14/113

[58] Field of Search ..... D14/100, 106, 107, 113, D14/115; D18/1, 7, 11, 12; 235/145 A, 145 R; 312/208; 340/700, 706, 711, 712; 341/22, 23; 358/249, 254; 364/706-710; 400/489, 492, 496

[56] References Cited

U.S. PATENT DOCUMENTS

D. 263,967 4/1982 Sakai et al. .... D18/7

D. 266,762 11/1982 Gibson ..... D14/113  
D. 267,880 2/1983 Marshall ..... D14/113  
D. 290,702 7/1987 Stern et al. .... D14/113  
D. 293,579 1/1988 Davis ..... D14/113

Primary Examiner—Wallace R. Burke  
Assistant Examiner—Freda S. Nunn  
Attorney, Agent, or Firm—Lyon & Lyon

[57] CLAIM

The ornamental design for a display for a personal computer, as shown and described.

DESCRIPTION

FIG. 1 is a top, front, right side perspective view of a display for personal computer showing our new design; FIG. 2 is a front elevational view thereof; FIG. 3 is a rear elevational view thereof; FIG. 4 is a left side elevational view thereof; FIG. 5 is a right side elevational view thereof; FIG. 6 is a top plan view thereof; and FIG. 7 is a bottom plan view thereof. In FIGS. 2-7 the supports of the design are shown folded toward the rear of the housing.

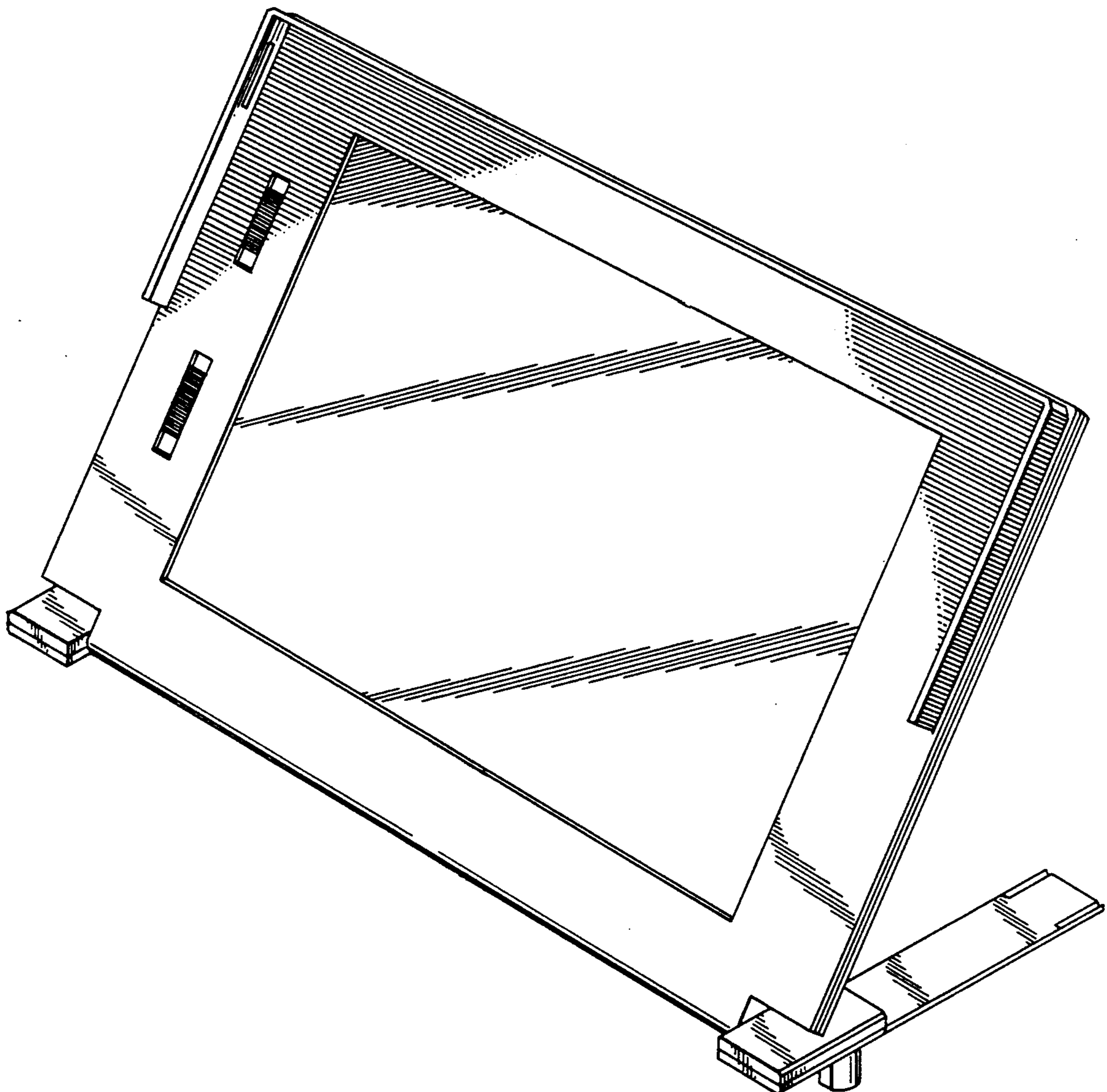
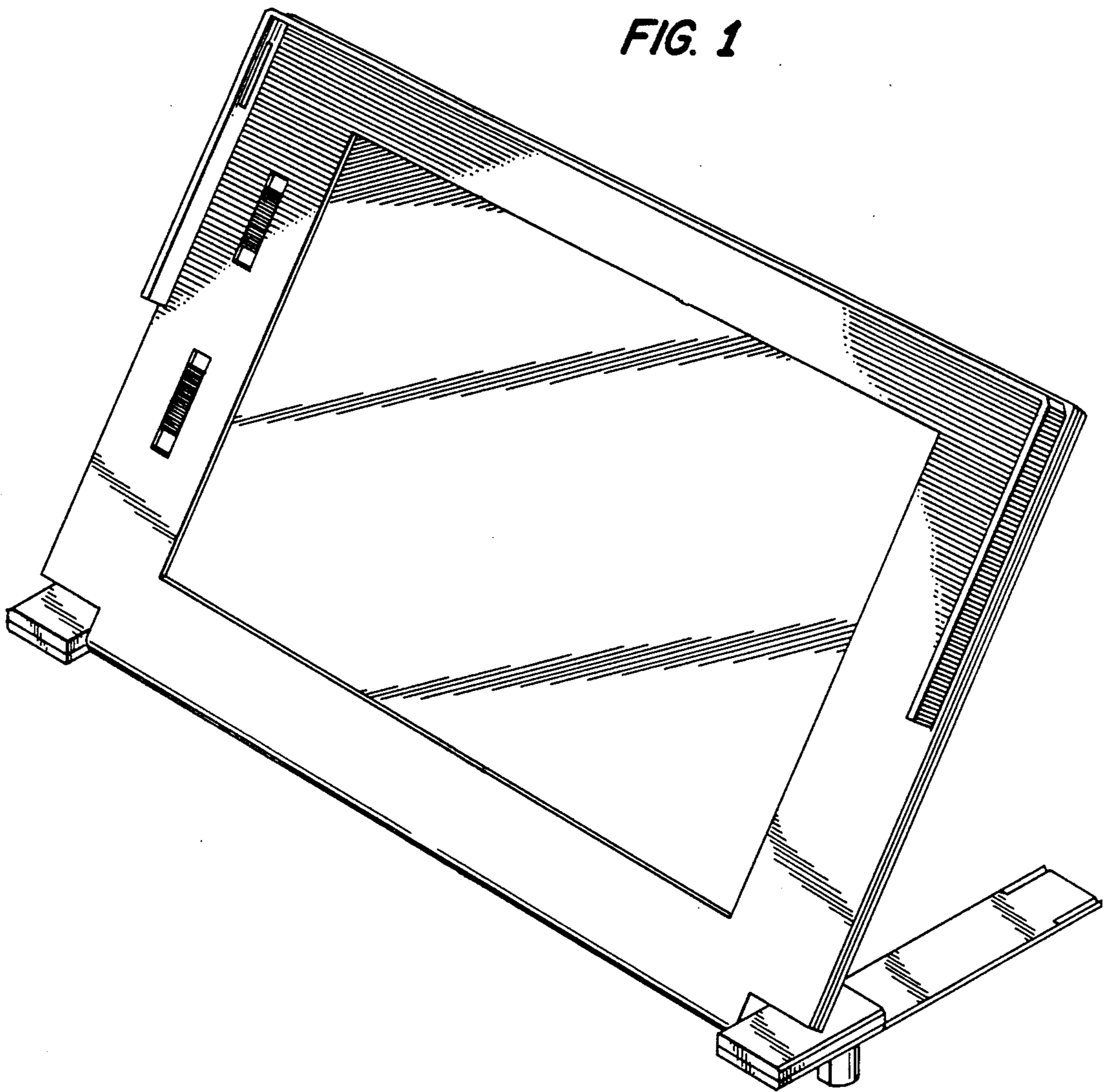
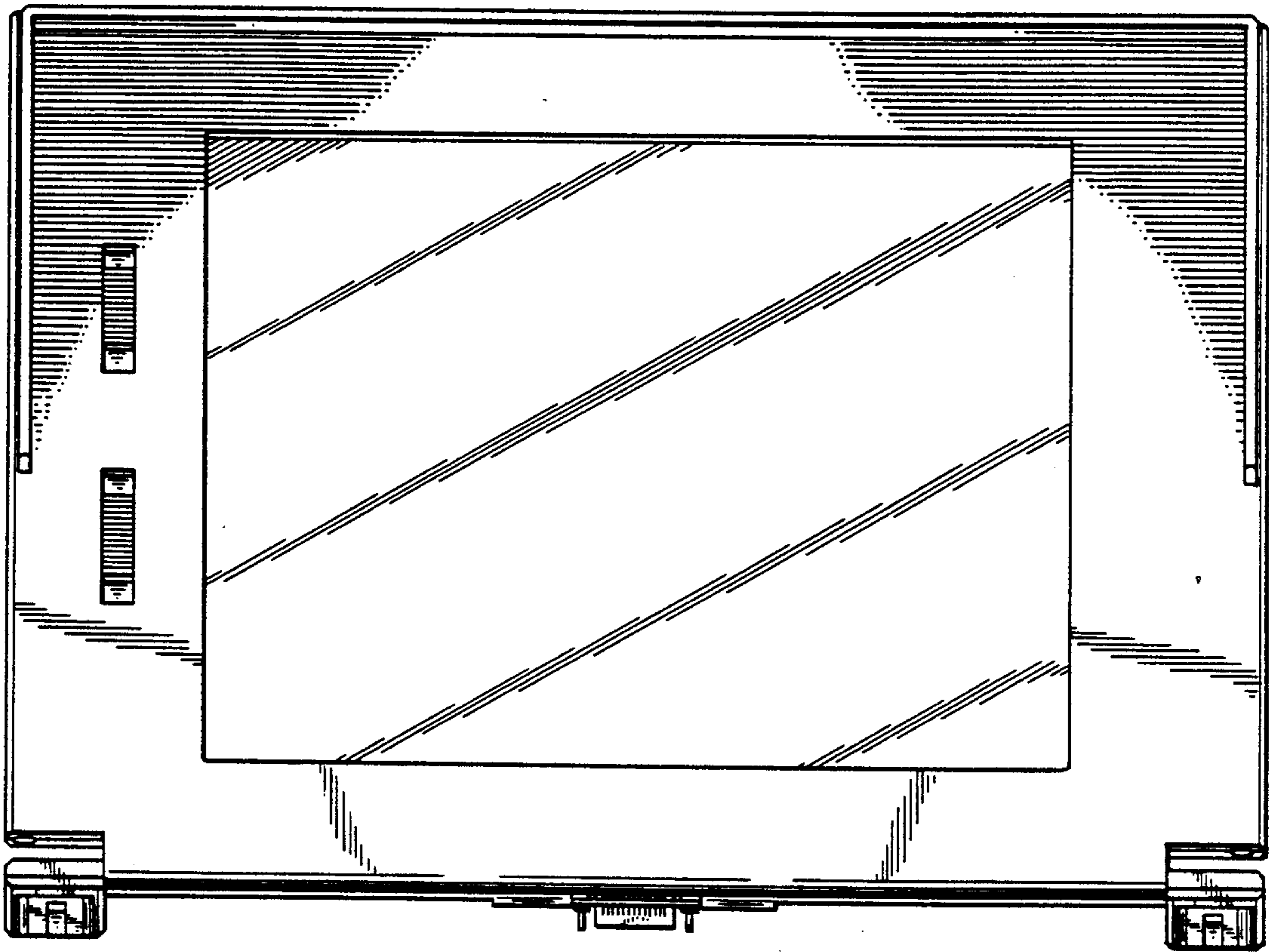


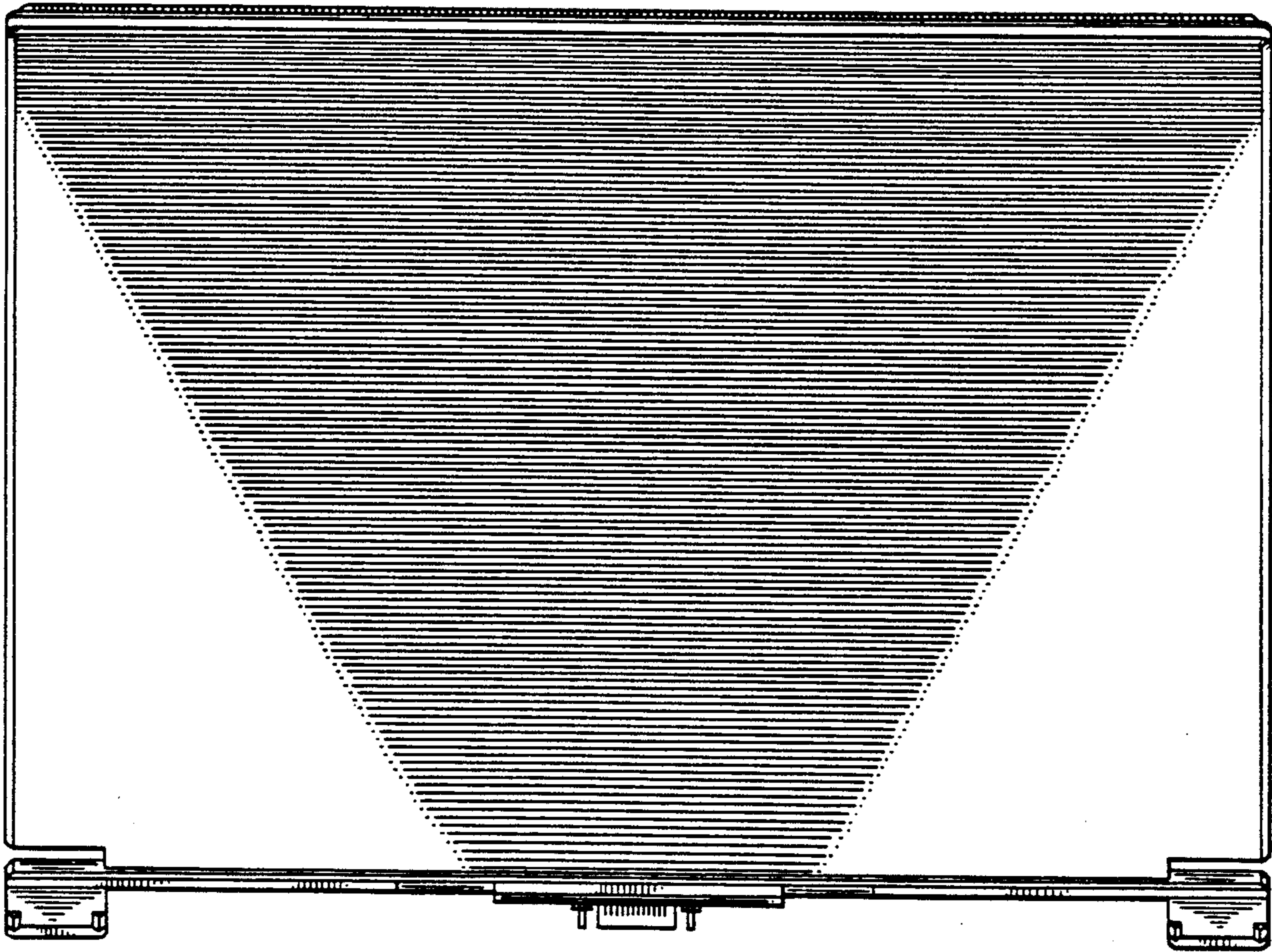
FIG. 1



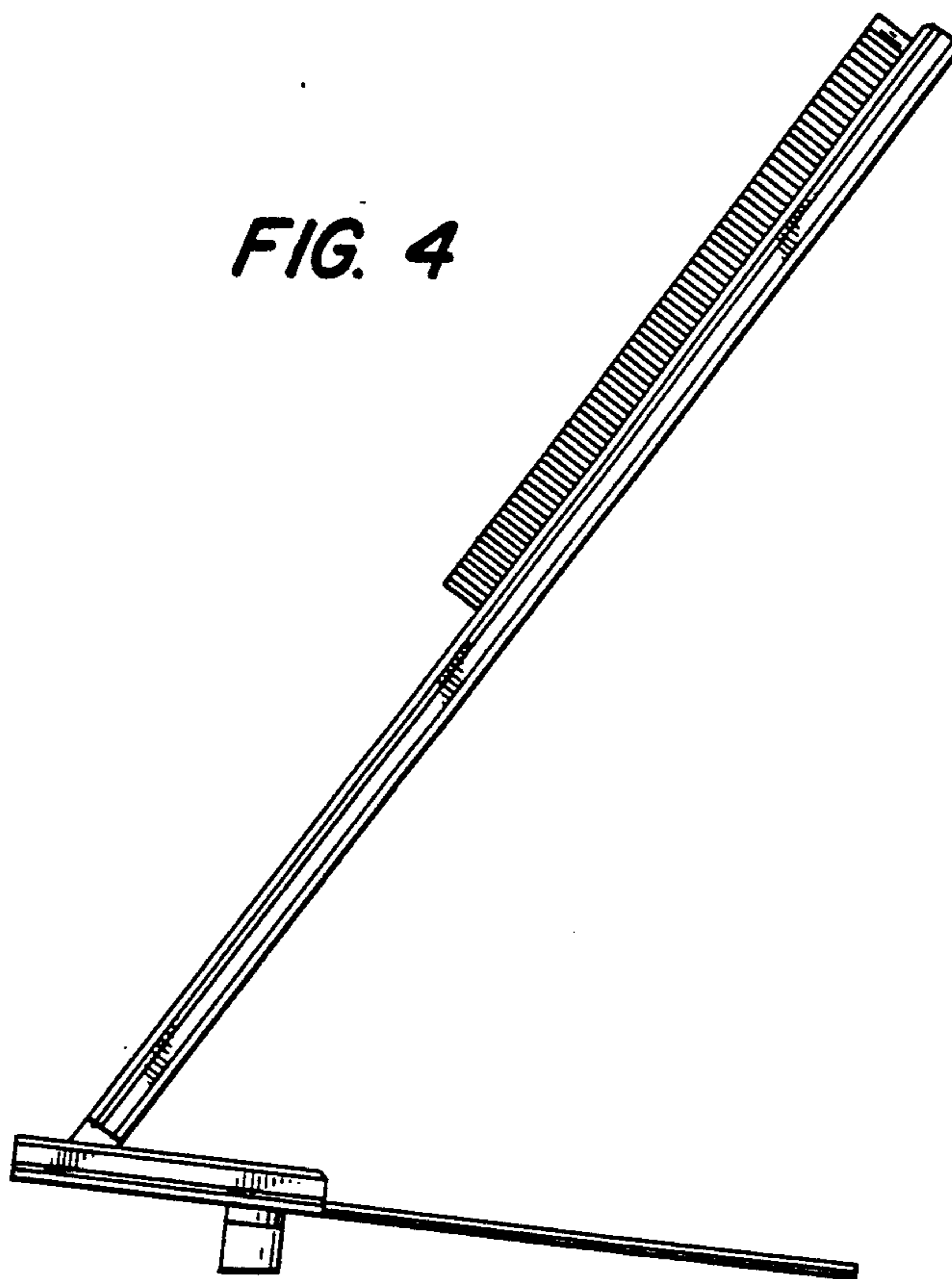
*FIG. 2*



*FIG. 3*



**FIG. 4**



**FIG. 5**

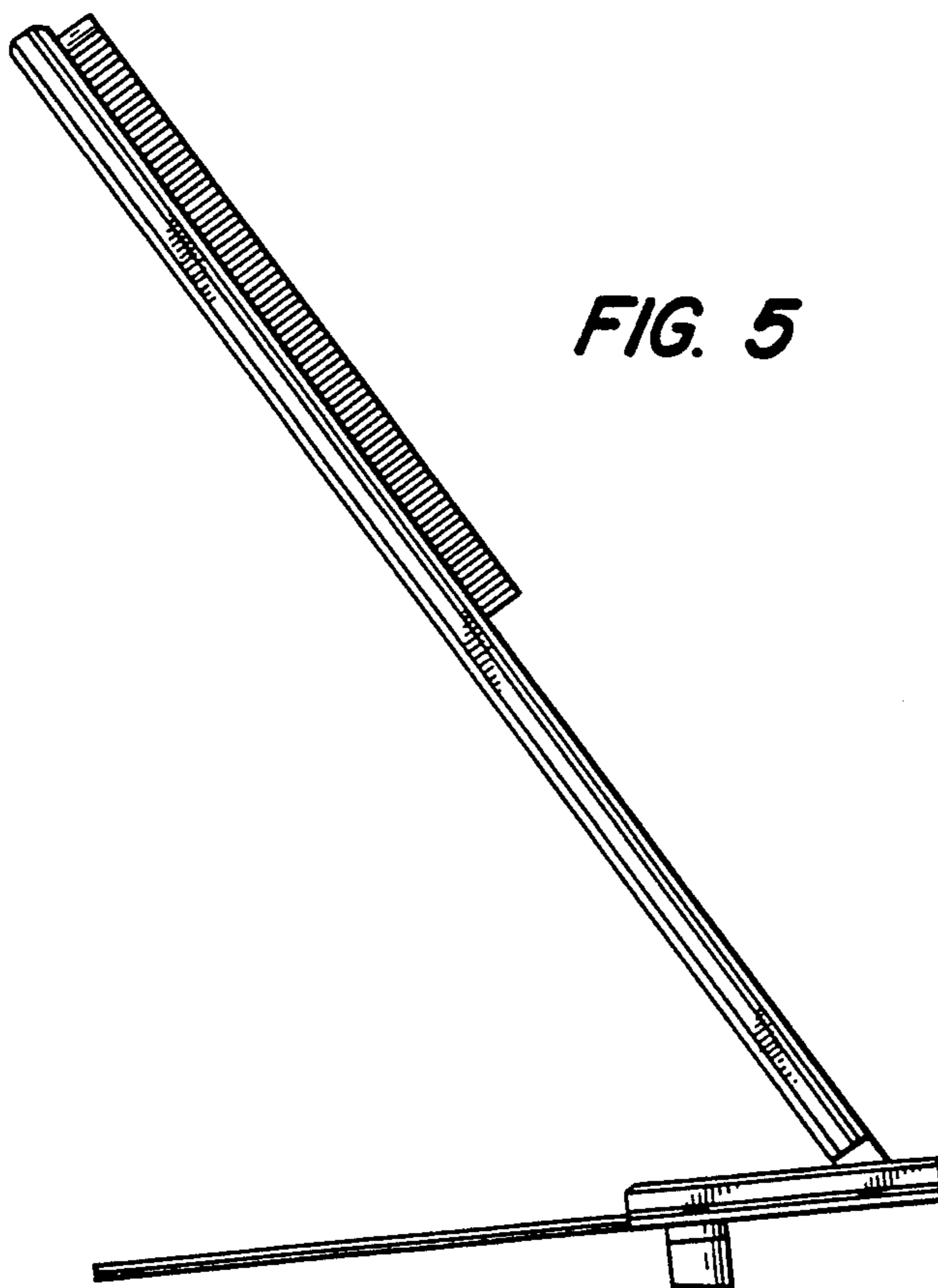


FIG. 6

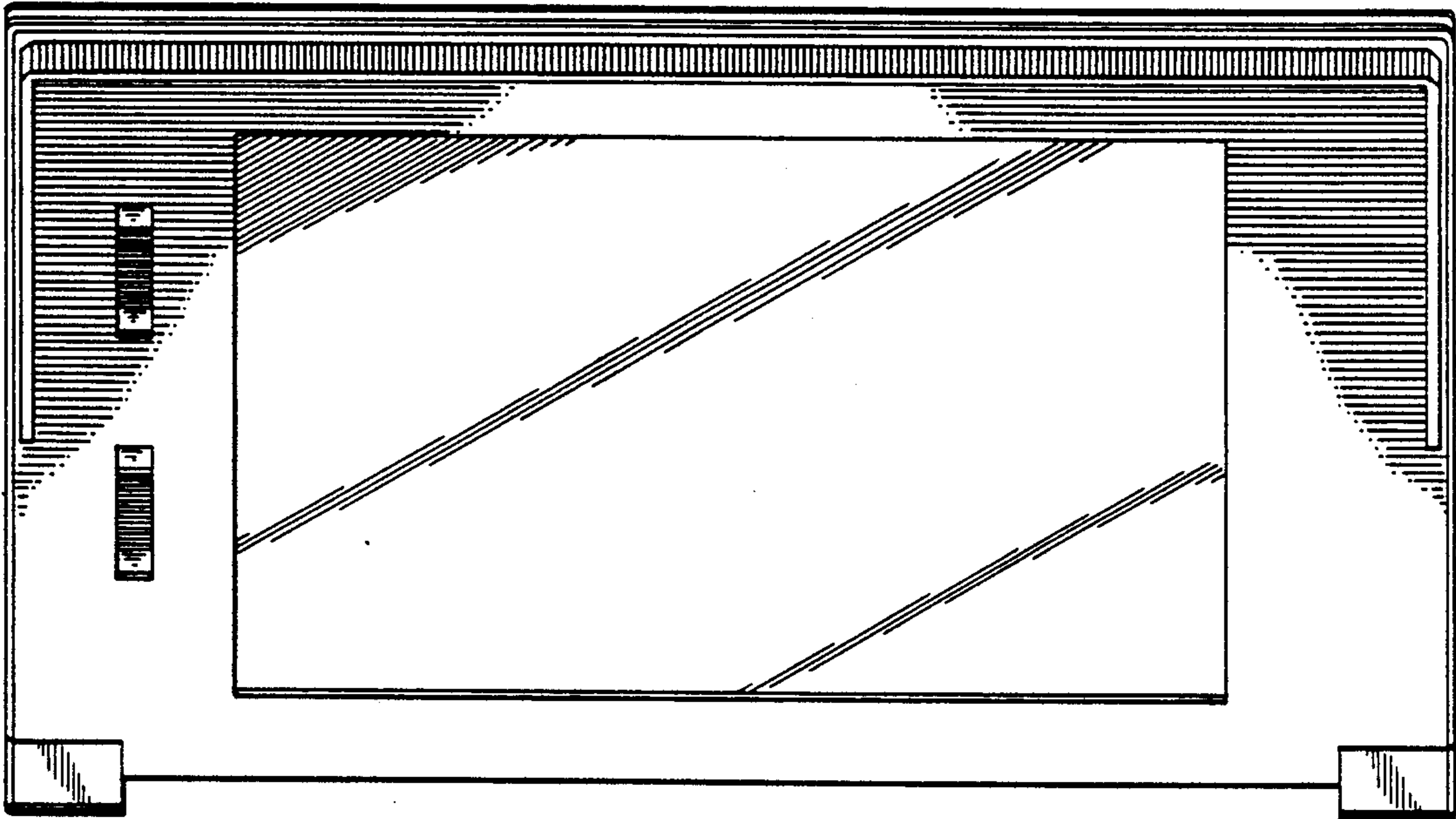


FIG. 7

