

[54] STREAMING CASSETTE TAPE DRIVE

[75] Inventors: Masafumi Ito, Tokyo; Shigeru Hasegawa, Kodaira; Minoru Sube, Hachioji; Katsuhiko Takashima, Yokohama, all of Japan

[73] Assignee: TEAC Corporation, Japan

[\*\*] Term: 14 Years

[21] Appl. No.: 381,163

[22] Filed: Jul. 18, 1989

[30] Foreign Application Priority Data

Sep. 26, 1988 [JP] Japan ..... 63-37642

[52] U.S. Cl. .... D14/108

[58] Field of Search ..... D14/100, 101, 102, 103, D14/105, 106, 108, 109, 135, 161; D13/162, 184, 199; D6/509-512; 360/97-99, 137; 361/331, 332, 380, 381, 390-395, 399, 415, 426; 312/138.1, 208

[56] References Cited

U.S. PATENT DOCUMENTS

D. 264,082	4/1982	Hutcheson .....	D14/107
D. 308,047	5/1990	Aderman et al. ....	D14/100
D. 309,727	8/1990	Stead .....	D14/100
4,481,552	11/1984	Dona et al. ....	360/97.02 X

Primary Examiner—Wallace R. Burke  
Assistant Examiner—Freda S. Nunn  
Attorney, Agent, or Firm—Andrus, Sceales, Starke & Sawall

[57] CLAIM

The ornamental design for a streaming cassette tape drive, as shown and described.

DESCRIPTION

FIG. 1 is a front elevational view of a streaming cassette tape drive showing our new design; FIG. 2 is a rear elevational view thereof; FIG. 3 is a left side elevational view thereof; FIG. 4 is a right side elevational view thereof; FIG. 5 is a top plan view thereof; FIG. 6 is a bottom plan view thereof; FIG. 7 is a top, front, right side perspective view thereof, the tray being drawn out.

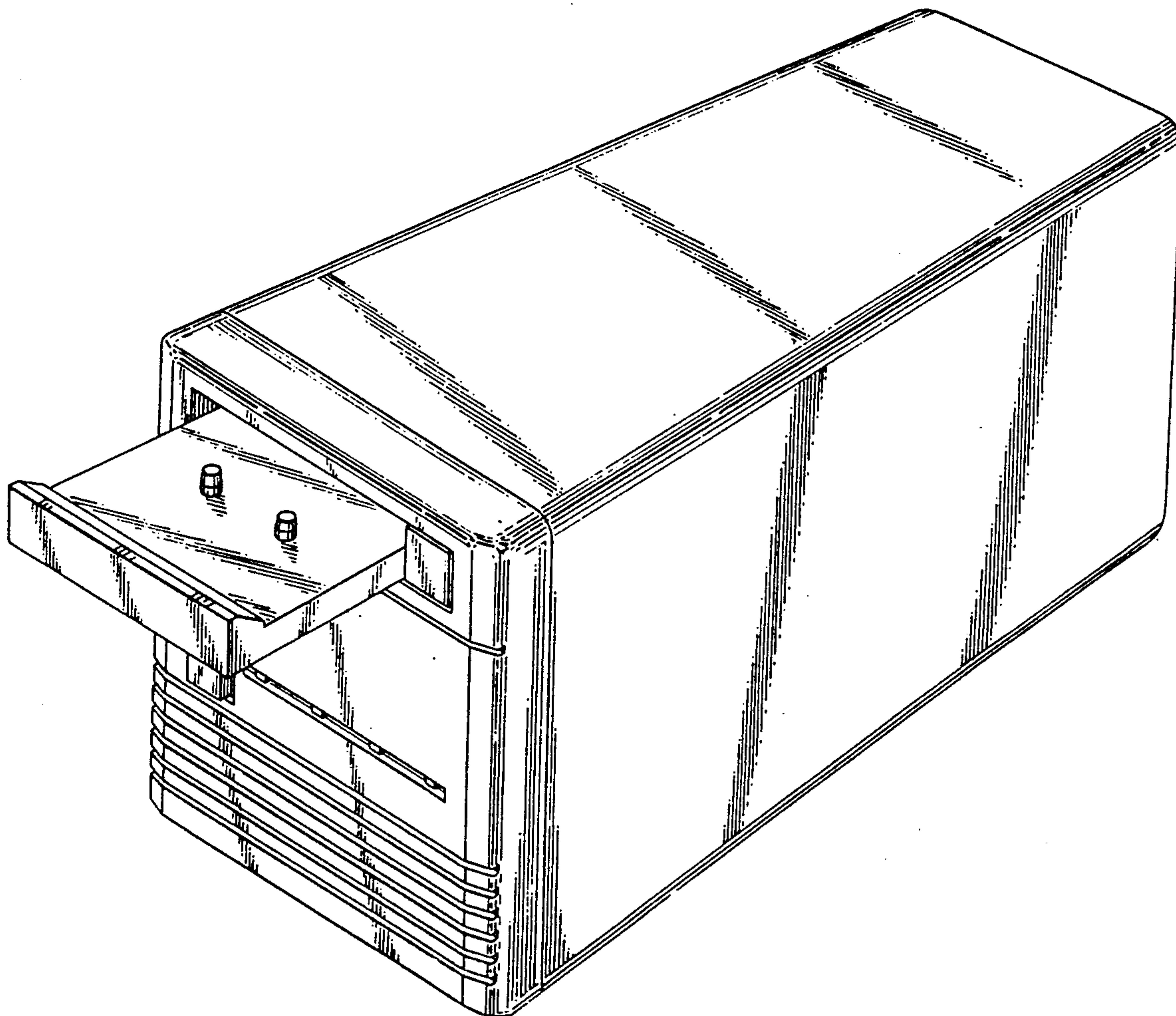


FIG. 1

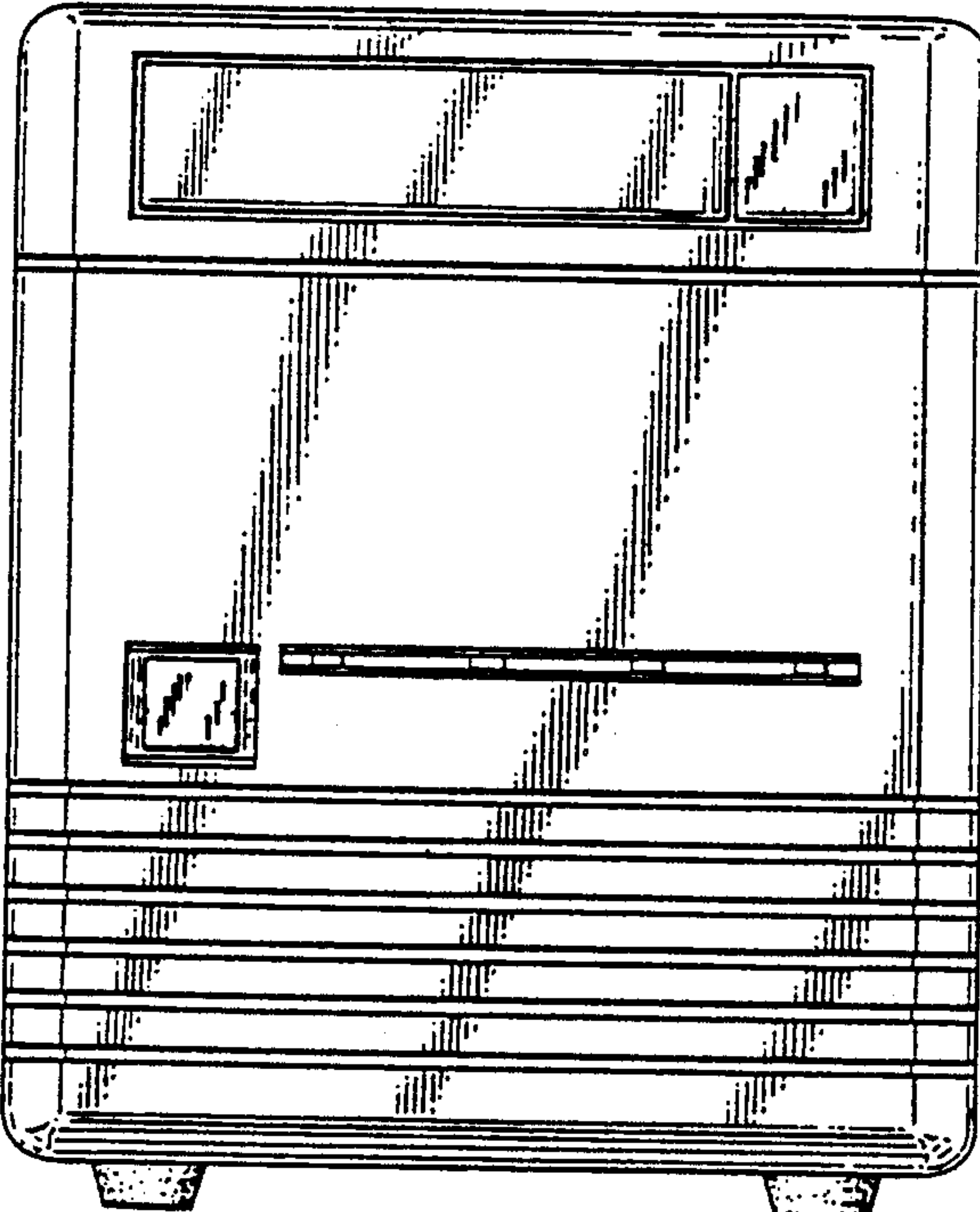


FIG. 2

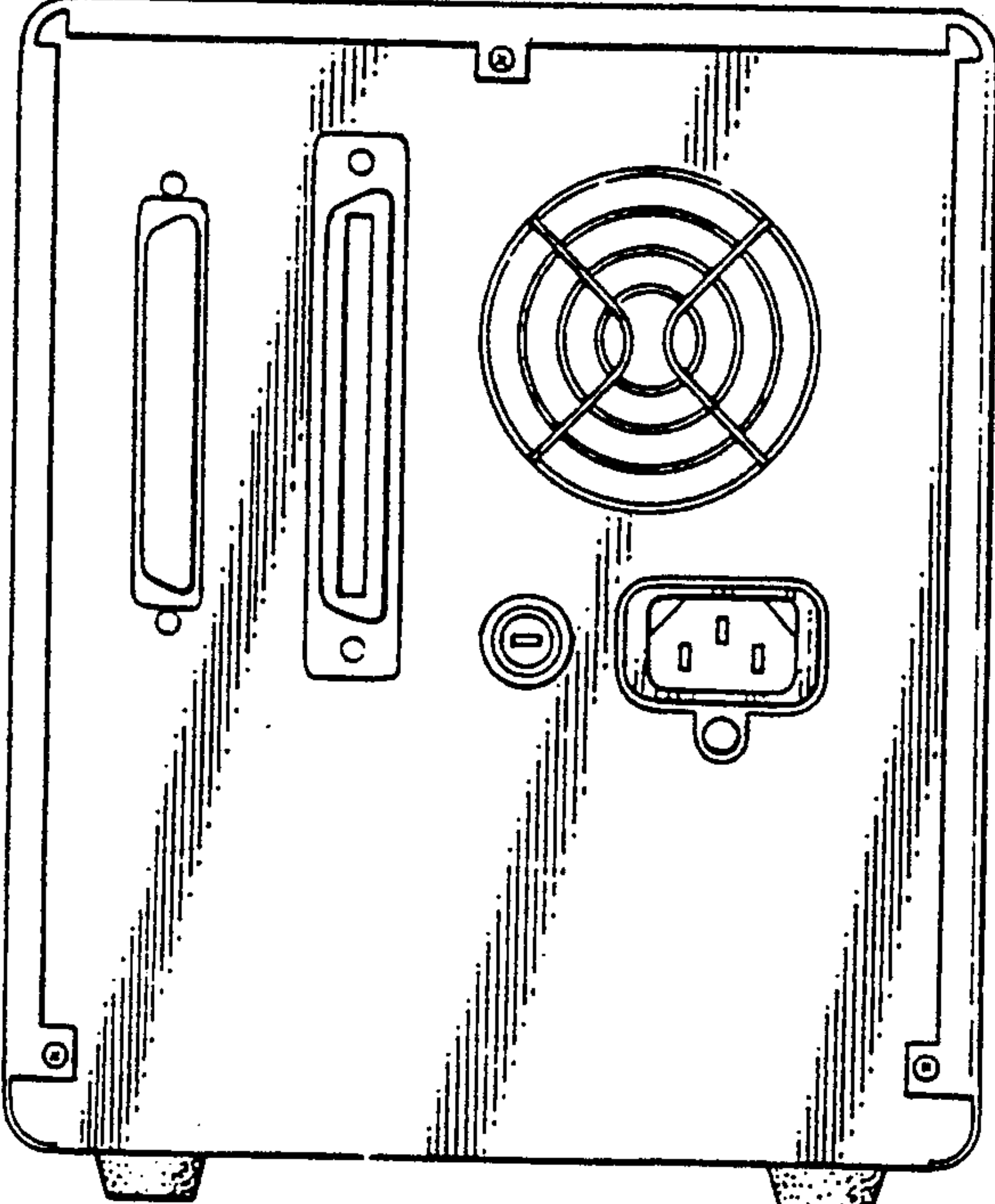


FIG. 3

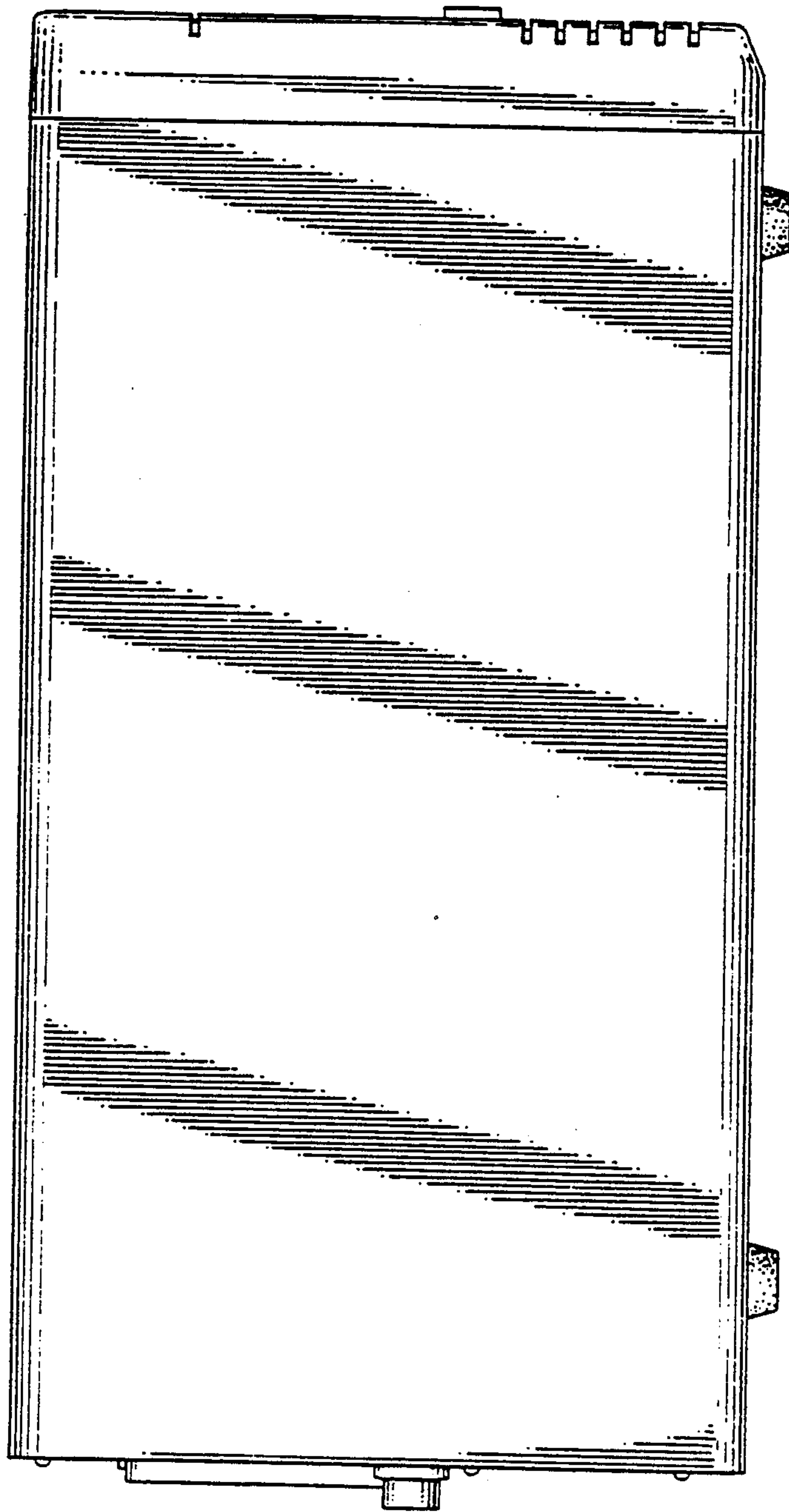


FIG. 4

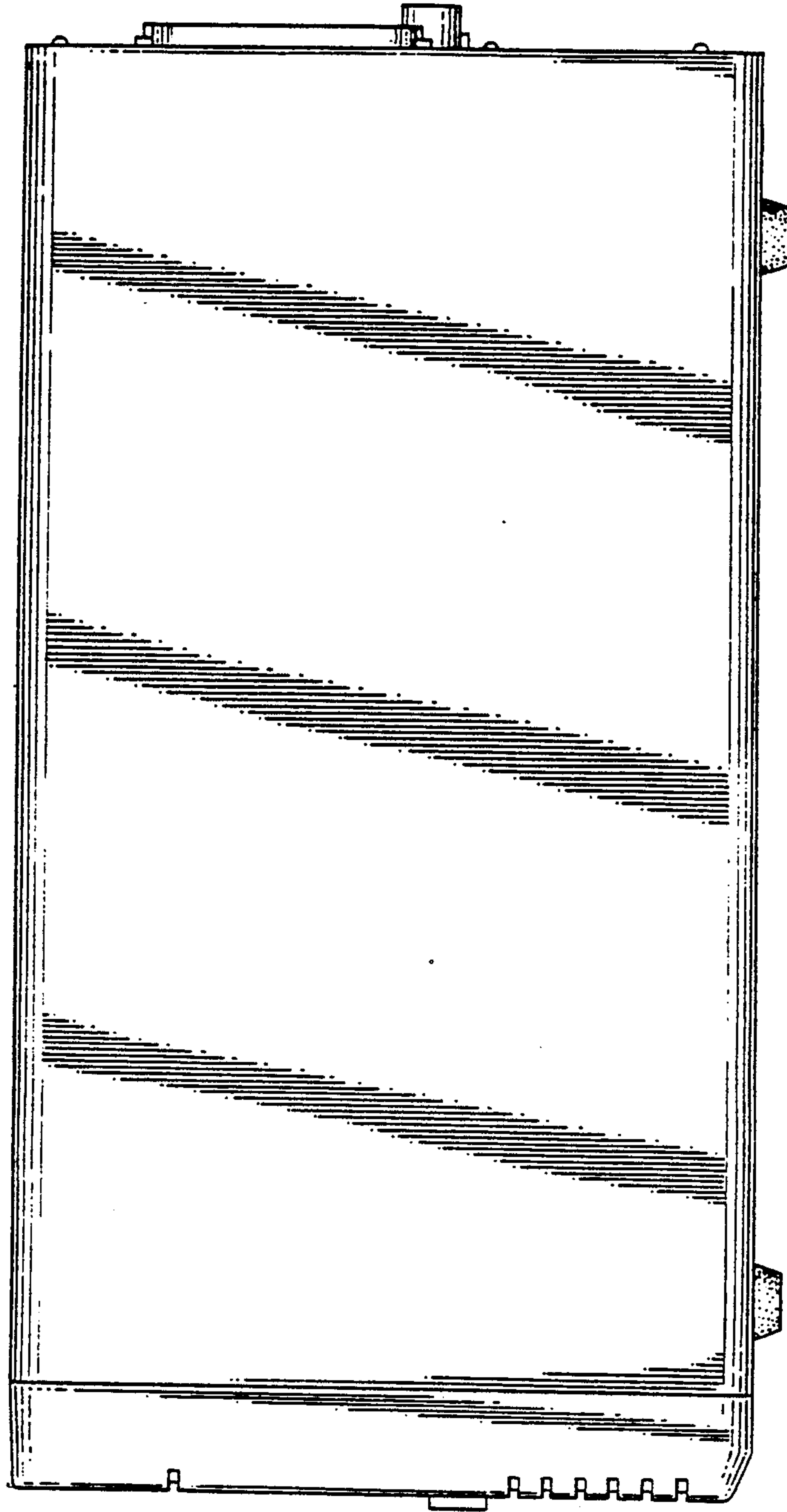




FIG. 5

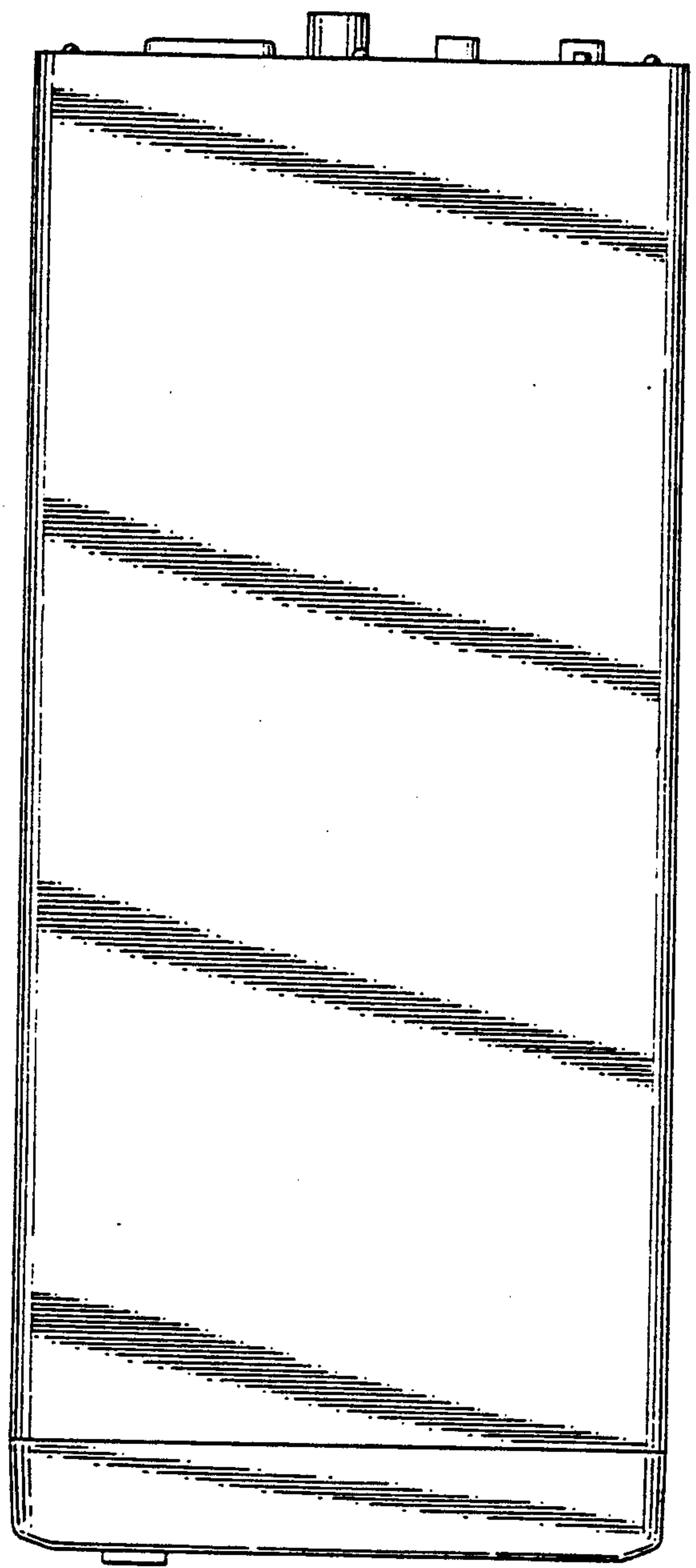
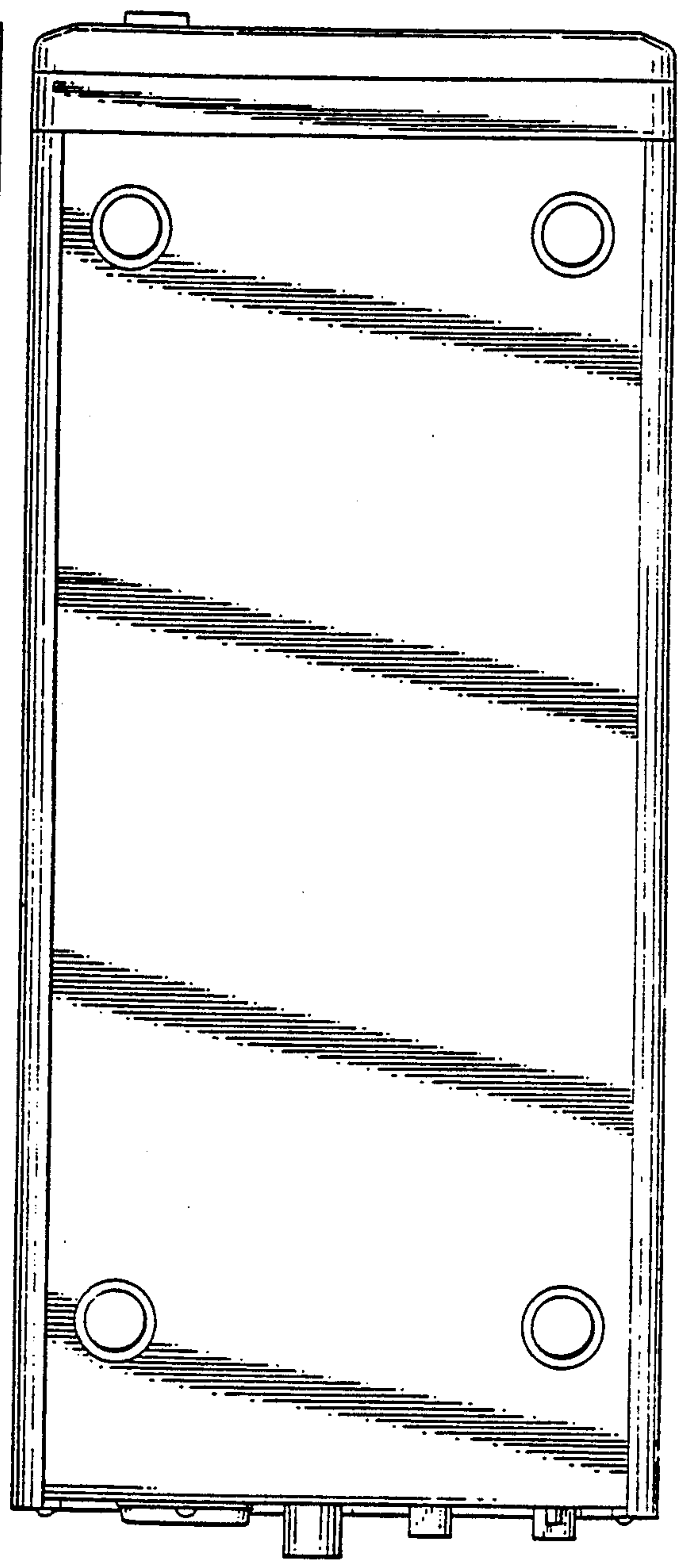


FIG. 6



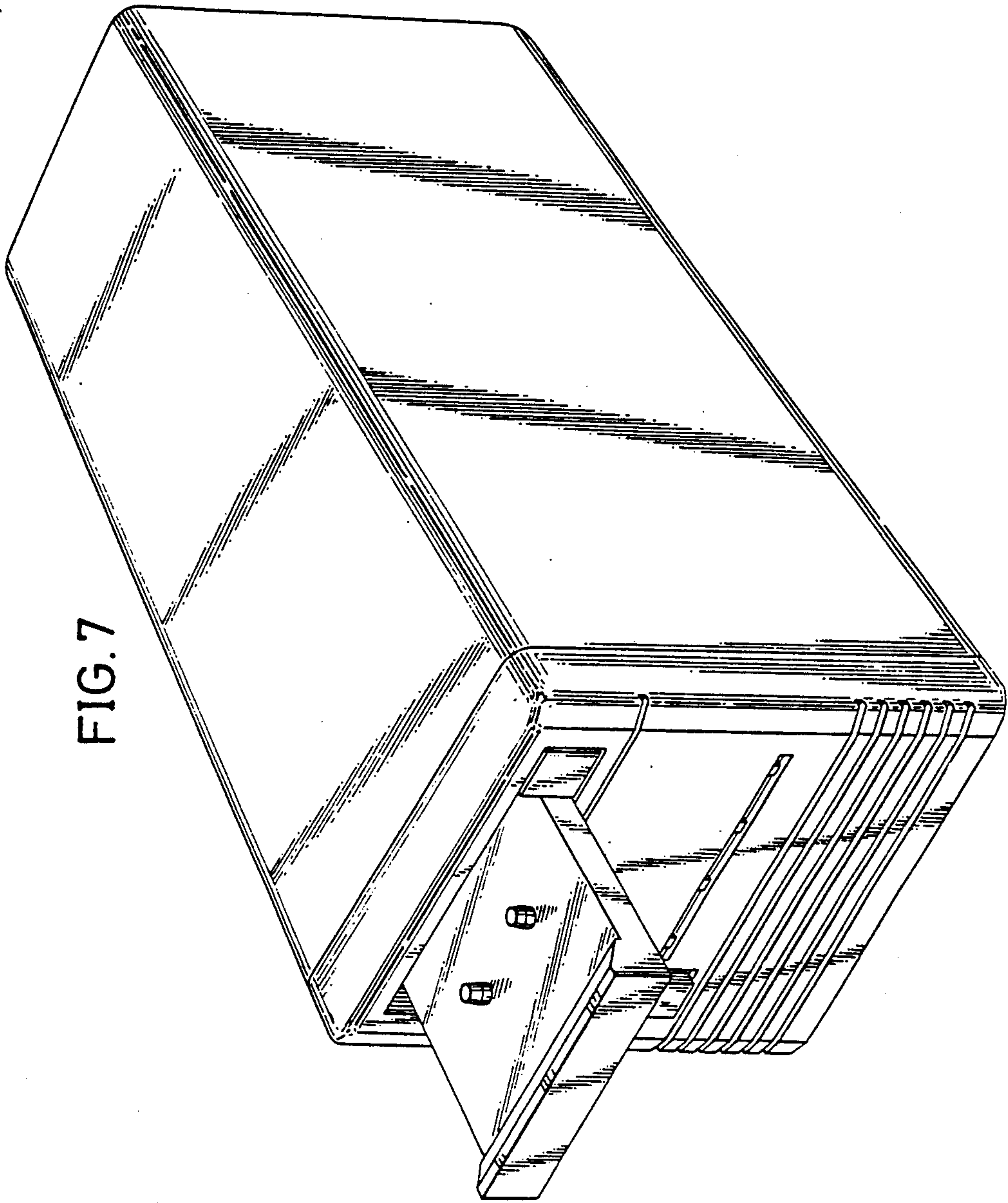


FIG. 7