

[54] SWITCH GUARD

[75] Inventor: Robert D. Aggson, Boulder, Colo.  
[73] Assignee: Aggson Family, Inc., Boulder, Colo.  
[\*\*] Term: 14 Years  
[21] Appl. No.: 381,513

[22] Filed: Jul. 18, 1989  
[52] U.S. Cl. .... D13/173; D13/160;  
D13/199; D9/423; D8/353

[58] Field of Search ..... D13/177, 152, 156;  
D8/350, 353; D9/420, 423; D16/124, 128, 129;  
439/135, 136; 174/67, 28; 220/3.3, 3.8, 242,  
335; 200/293, 333; D3/34, 78, 103

[56] References Cited

U.S. PATENT DOCUMENTS

D. 21,762	8/1892	Estes	.....	D3/78
D. 218,881	10/1970	Leibson	.....	D9/423
3,023,923	3/1962	Geib et al.	.....	D9/423 X
3,096,409	7/1963	Hubbell et al.	.....	D8/353 X
3,204,807	9/1965	Ramsing	.....	220/242
3,651,983	3/1972	Haugen	.....	220/339 X
4,381,063	4/1983	Leong	.....	220/8.3 X

Primary Examiner—Susan J. Lucas  
Assistant Examiner—Joel Sincavage  
Attorney, Agent, or Firm—Donald W. Margolis

[57] CLAIM

The ornamental design for a switch guard, as shown and described.

DESCRIPTION

FIG. 1 is a perspective view of a switch guard showing my new design.

FIG. 2 is a front elevational view of a switch guard showing my new design in the open position. The broken line showing of the switch and switch plate in FIGS. 1 and 2 is included for the purposes of illustrating environmental elements only and forms no part of the claimed design;

FIG. 3 is a front elevational view of a switch guard showing my new design in the closed position;

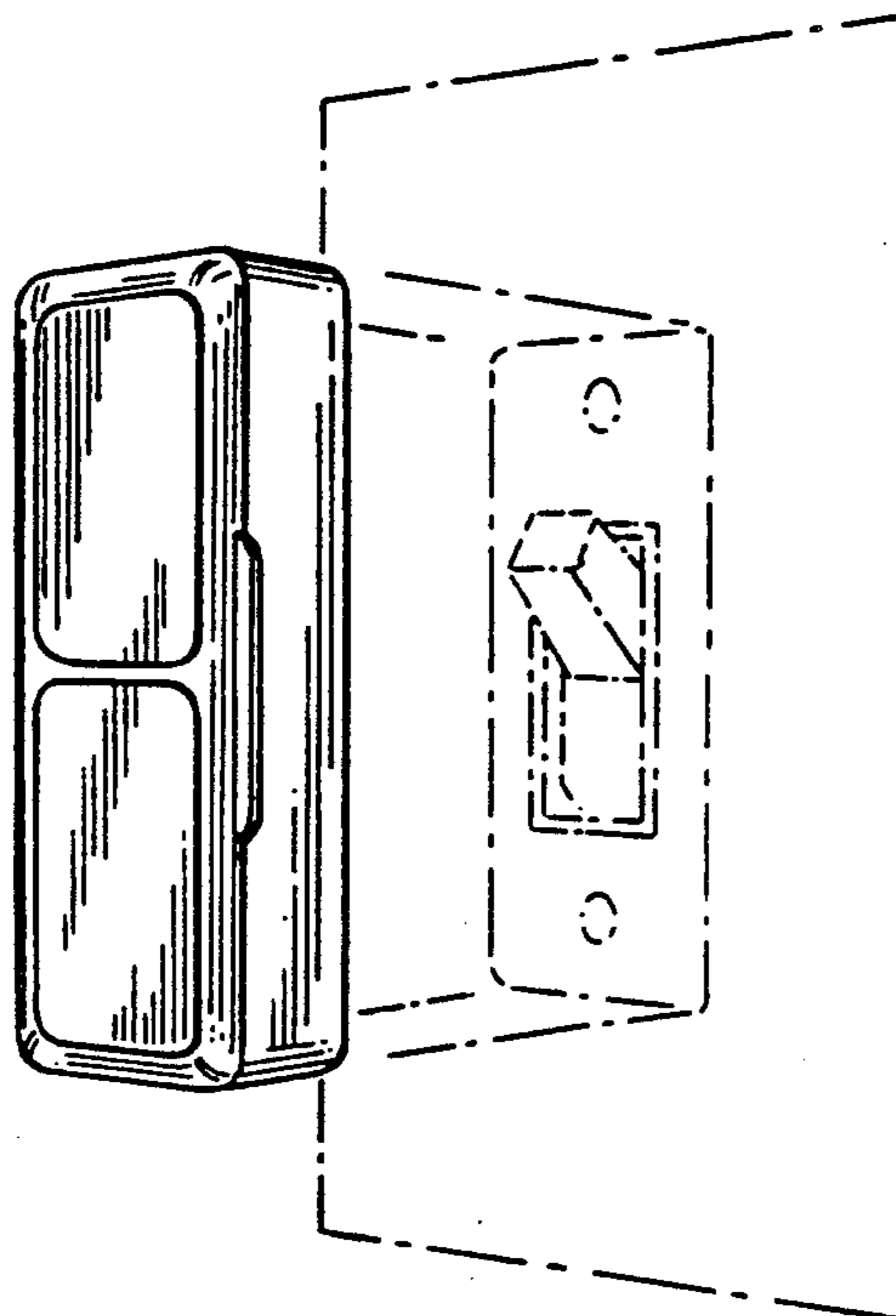
FIG. 4 is a rear elevational view thereof;

FIG. 5 is a right side elevational view thereof;

FIG. 6 is a left side elevational view thereof;

FIG. 7 is a top plan view thereof; and

FIG. 8 is a bottom plan view thereof.



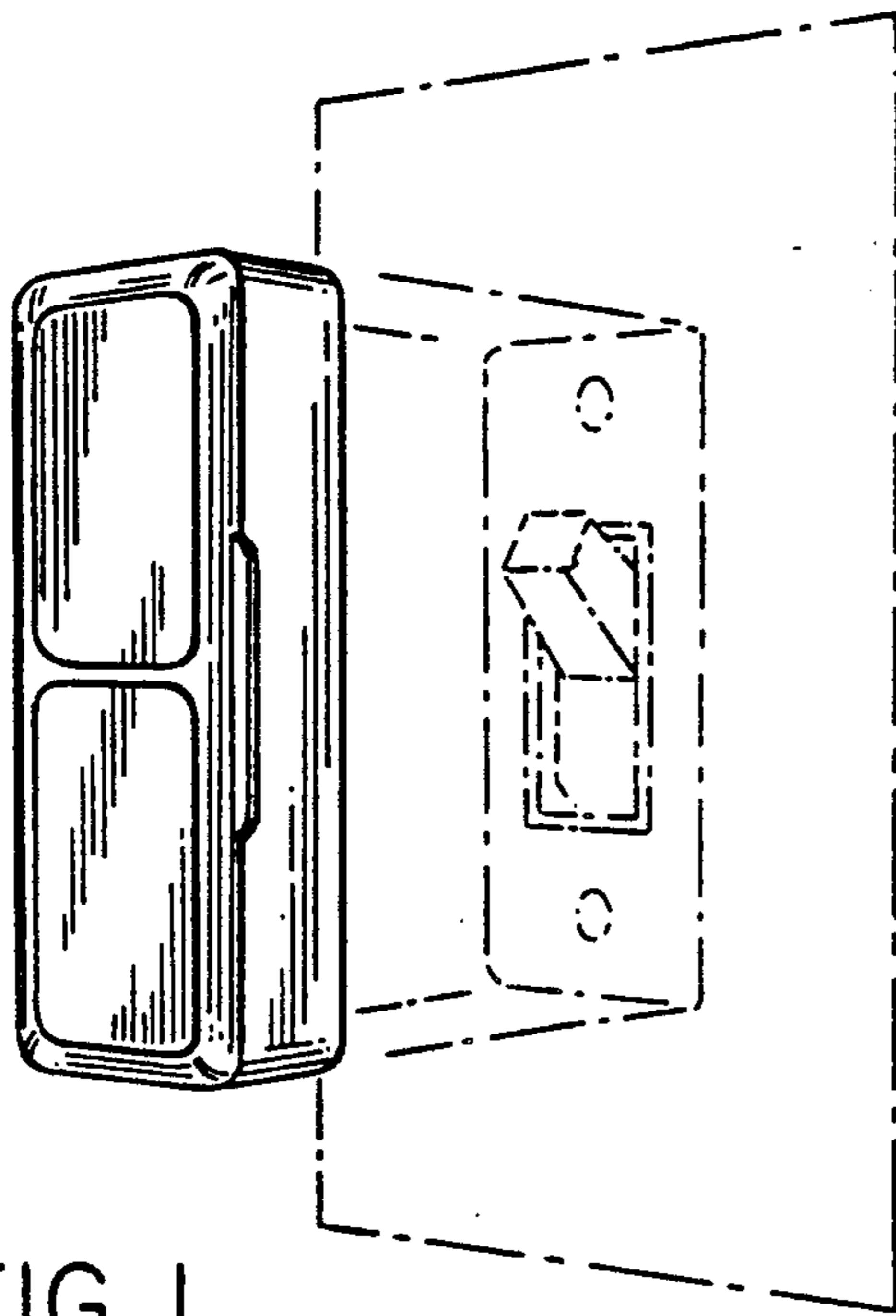


FIG. 1.

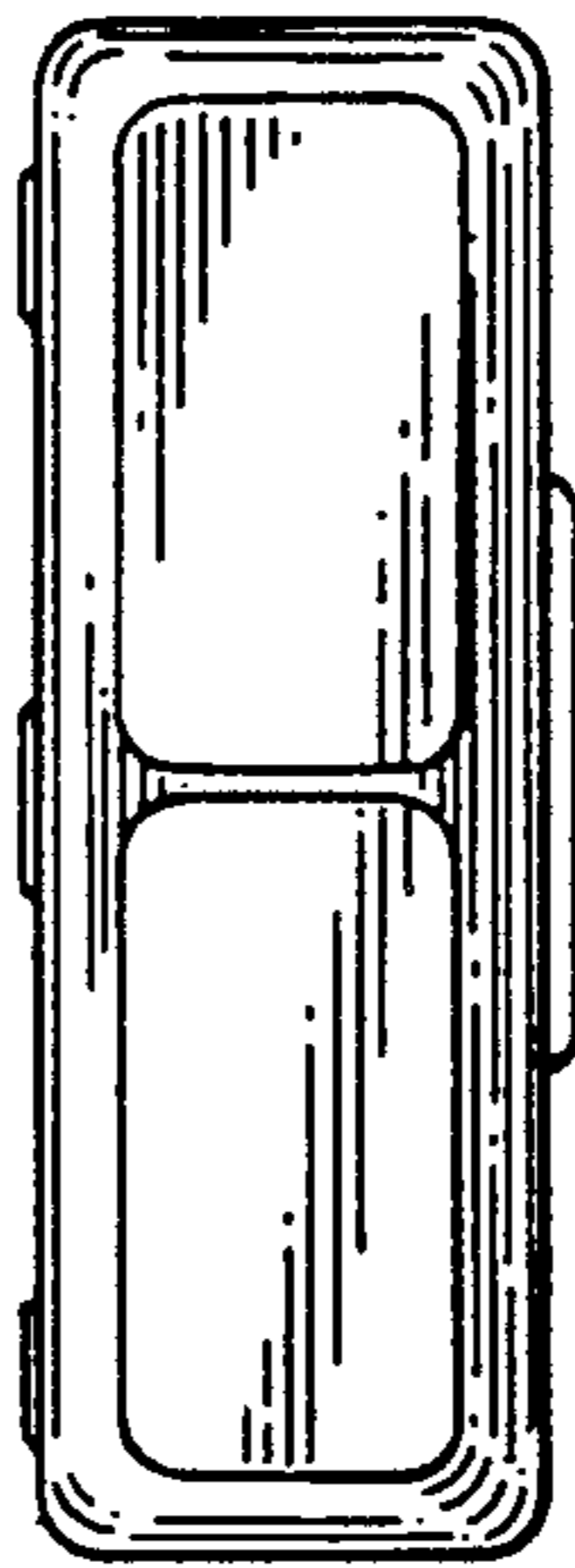


FIG. 3.

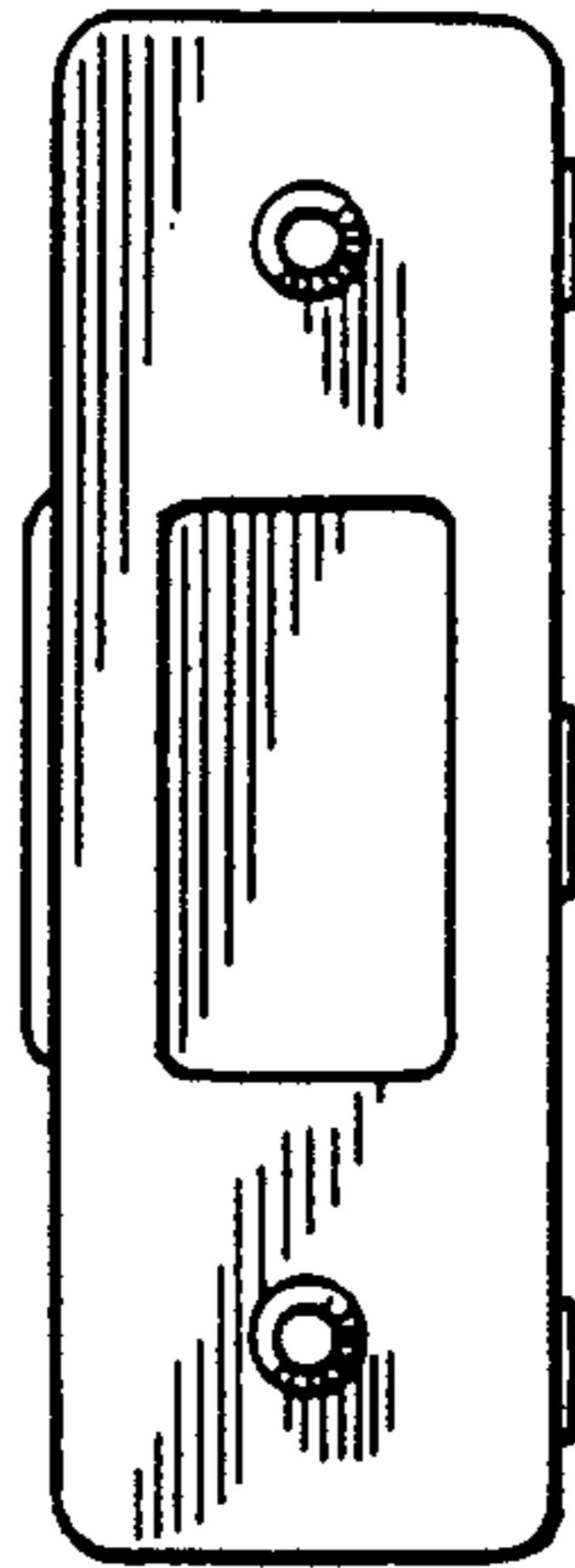


FIG. 4.

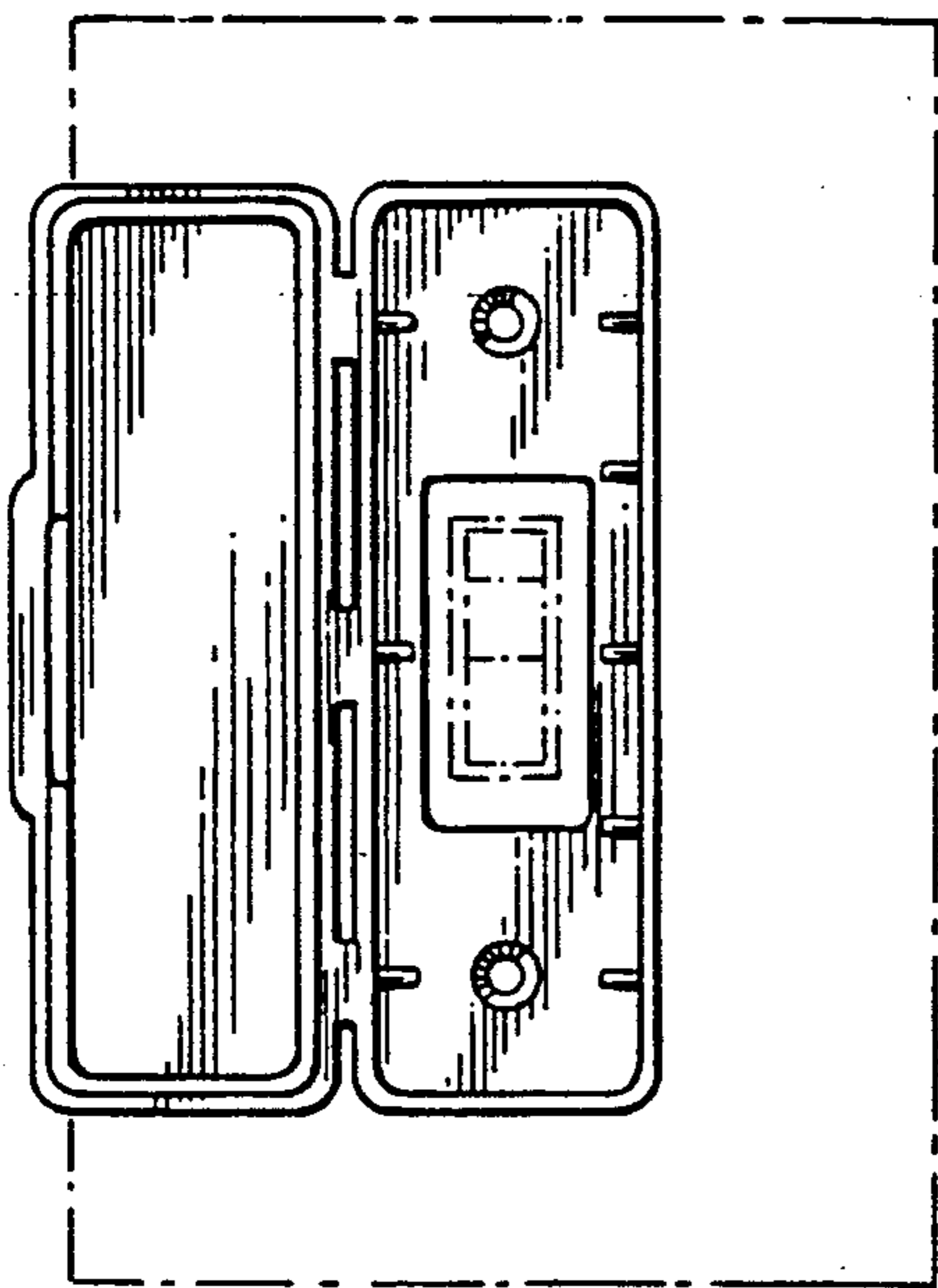


FIG. 2.

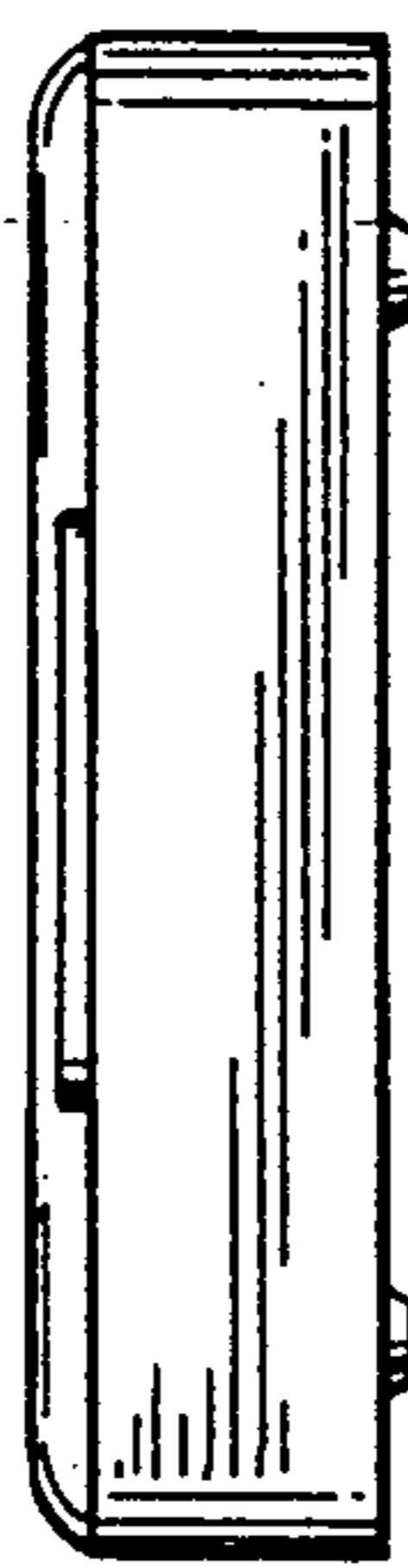


FIG. 5.



FIG. 6.



FIG. 7.



FIG. 8.