

[54] **TRICYCLE**

[75] **Inventor: Ray G. Kelly, Kirkwood, Mo.**

[73] **Assignee: Angeler Nursery Toys, Inc., Pacific, Mo.**

[\*\*] **Term: 14 Years**

[21] **Appl. No.: 387,120**

[22] **Filed: Jul. 31, 1989**

**Related U.S. Application Data**

[62] **Division of Ser. No. 131,522, Dec. 11, 1987, Pat. No. D. 304,813.**

[52] **U.S. Cl. .... D12/112**

[58] **Field of Search ..... D12/112, 113, 109; 280/202, 273, 282, 7.1, 7.16**

[56] **References Cited**

**U.S. PATENT DOCUMENTS**

D. 158,454	5/1950	Glamb	.....	D12/113
D. 158,455	5/1950	Glamb	.....	D12/113
D. 159,104	6/1950	Smith	.....	D12/113
D. 176,037	11/1955	Rhoades	.....	D12/113

D. 250,404	11/1978	Reese	.....	D12/113
1,218,943	3/1917	Hudry	.....	D12/113
1,606,269	11/1926	Stack	.....	D12/113
2,232,661	2/1941	Hedstrom	.....	D12/113
3,062,559	11/1962	Hewitt	.....	D12/113

**OTHER PUBLICATIONS**

American Bicyclist & Motorcyclist, 2/84, p. 92, Start-rike, top right side of page.

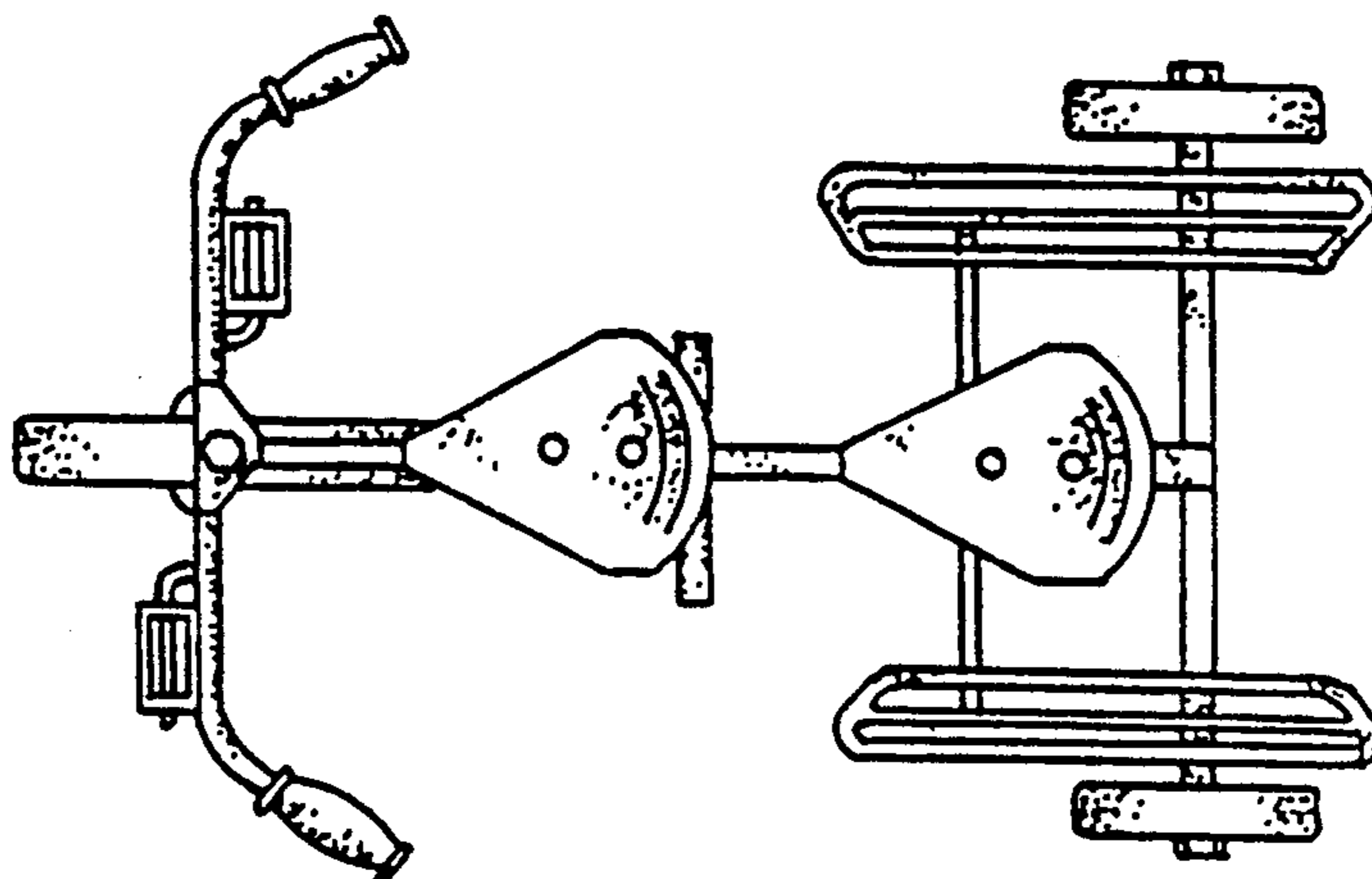
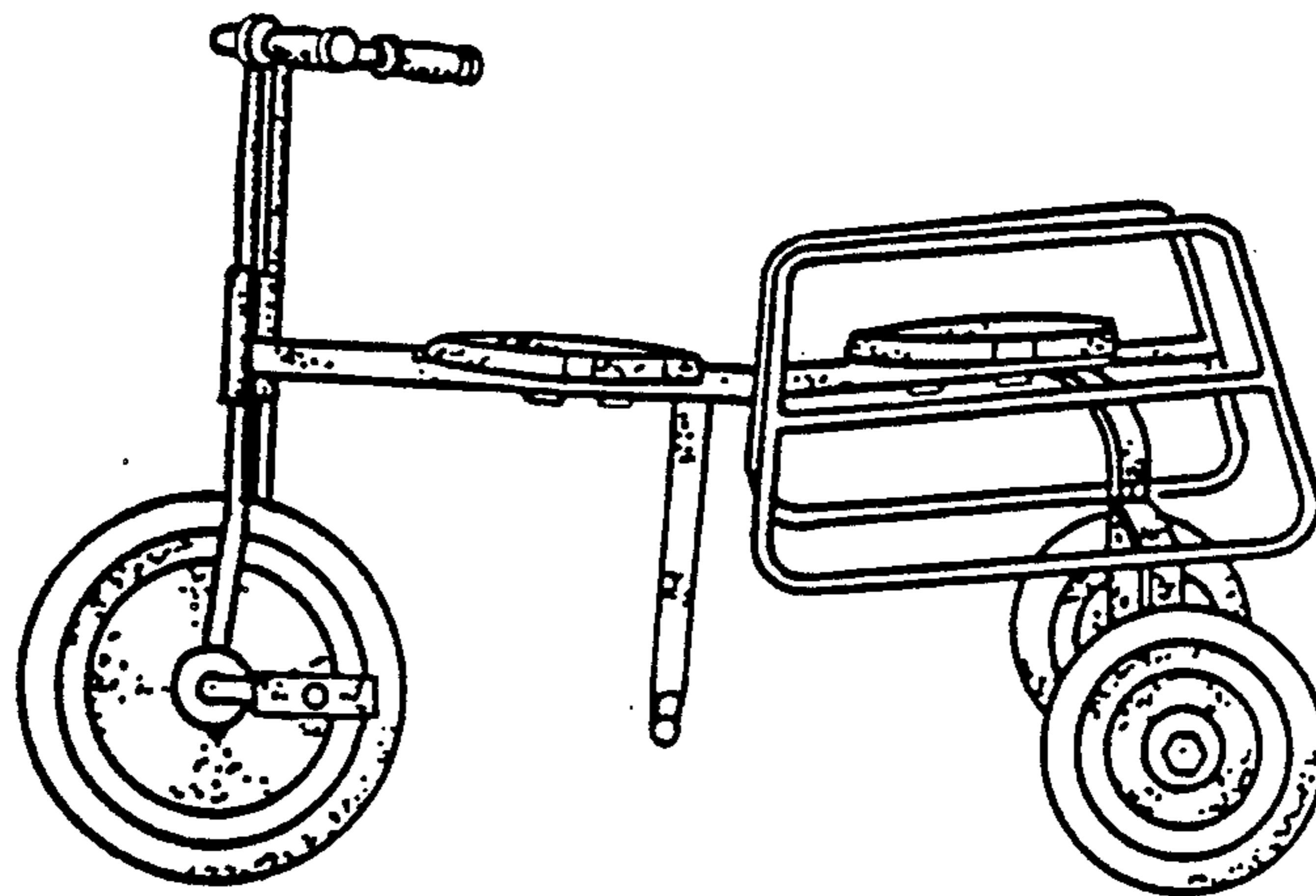
*Primary Examiner*—James M. Gandy  
*Attorney, Agent, or Firm*—Paul M. Denk

[57] **CLAIM**

The ornamental design for a tricycle, as shown and described.

**DESCRIPTION**

FIG. 1 is a side perspective view of a tricycle showing my new design;  
 FIG. 2 is a top plan view thereof;  
 FIG. 3 is a side elevation view thereof, the opposite side being a mirror image of that shown;  
 FIG. 4 is a rear elevation view thereof;  
 FIG. 5 is a bottom plan view thereof; and  
 FIG. 6 is a front elevation view thereof.



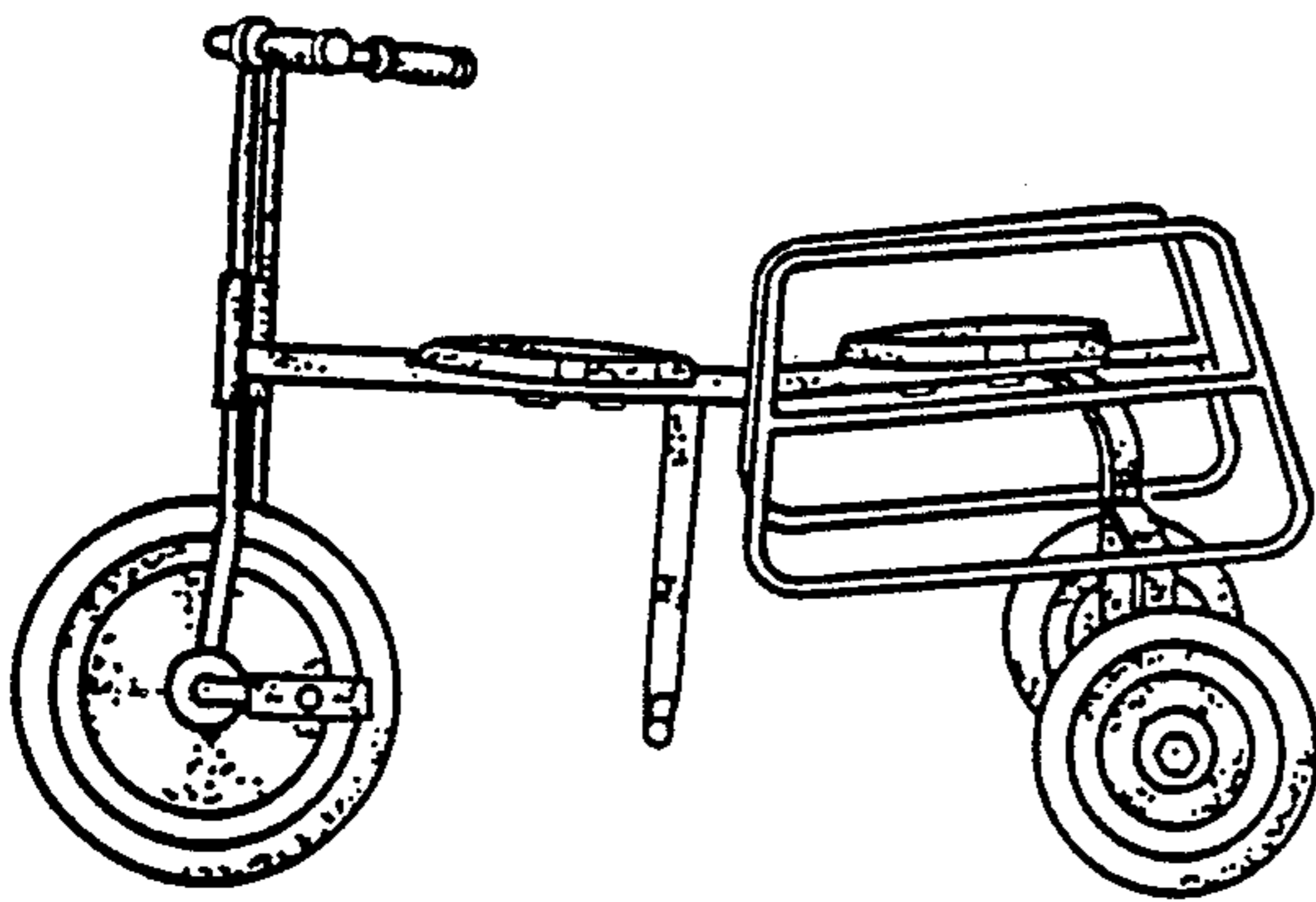


FIG. 1

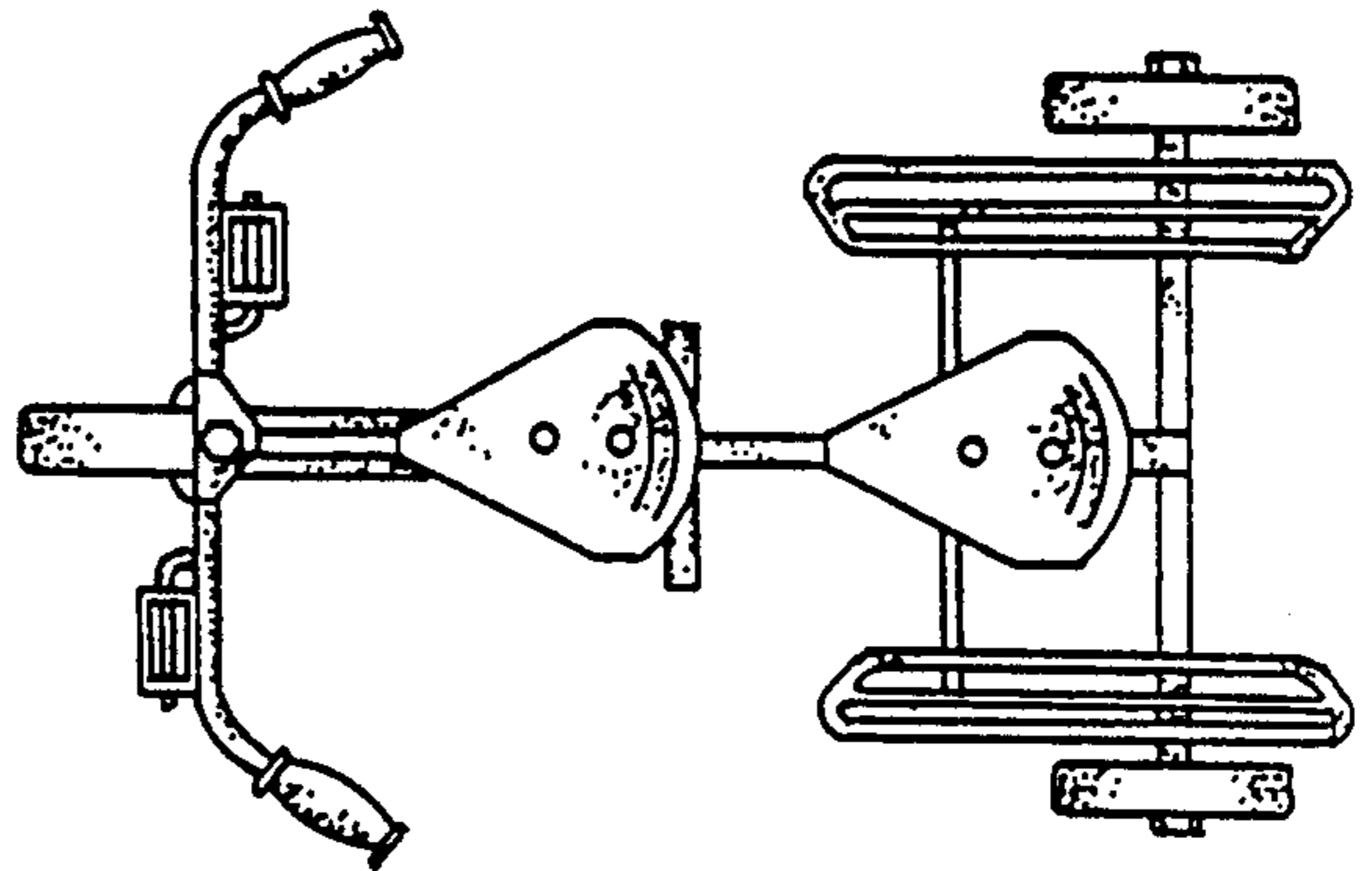


FIG. 2

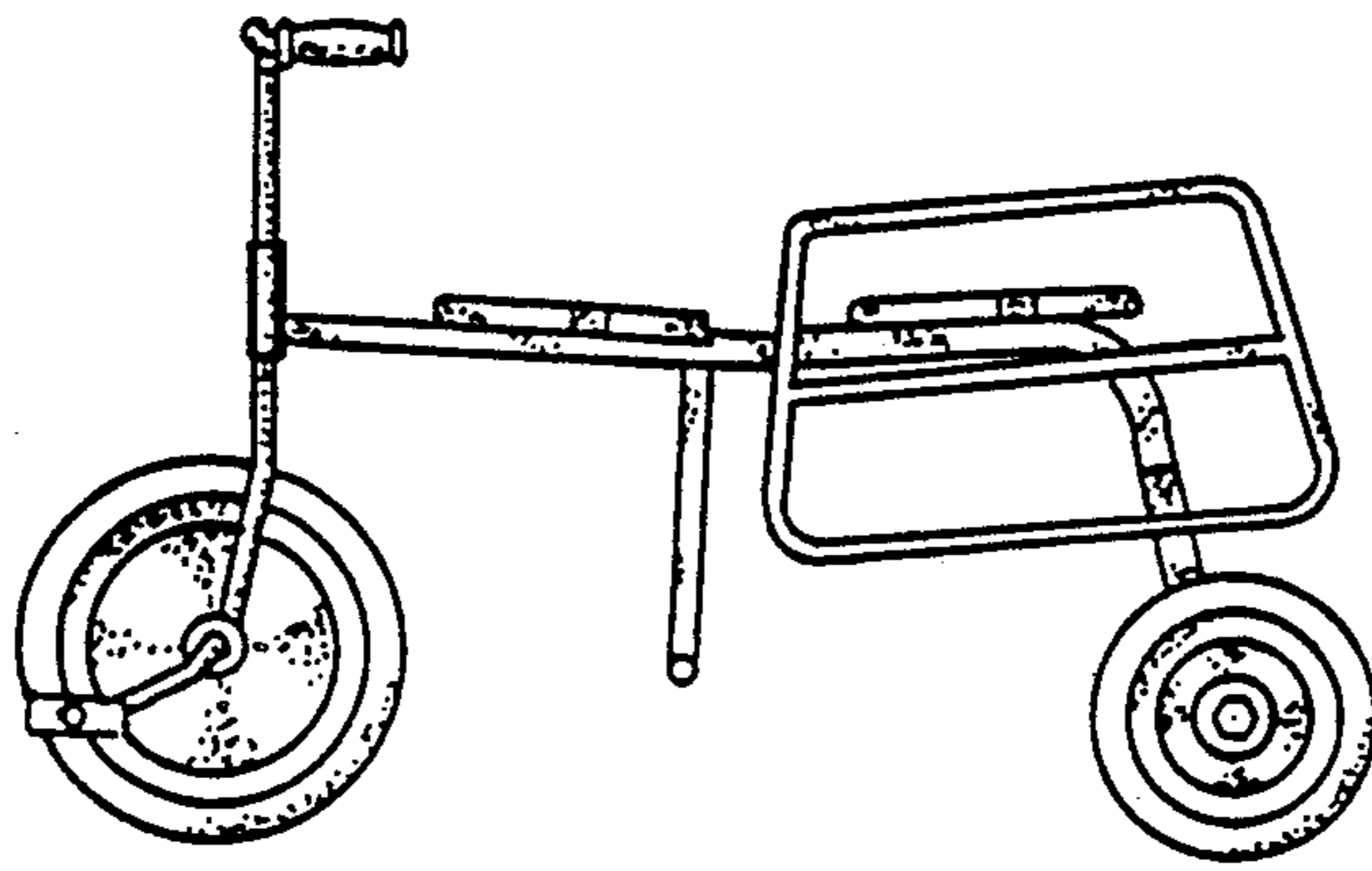


FIG. 3

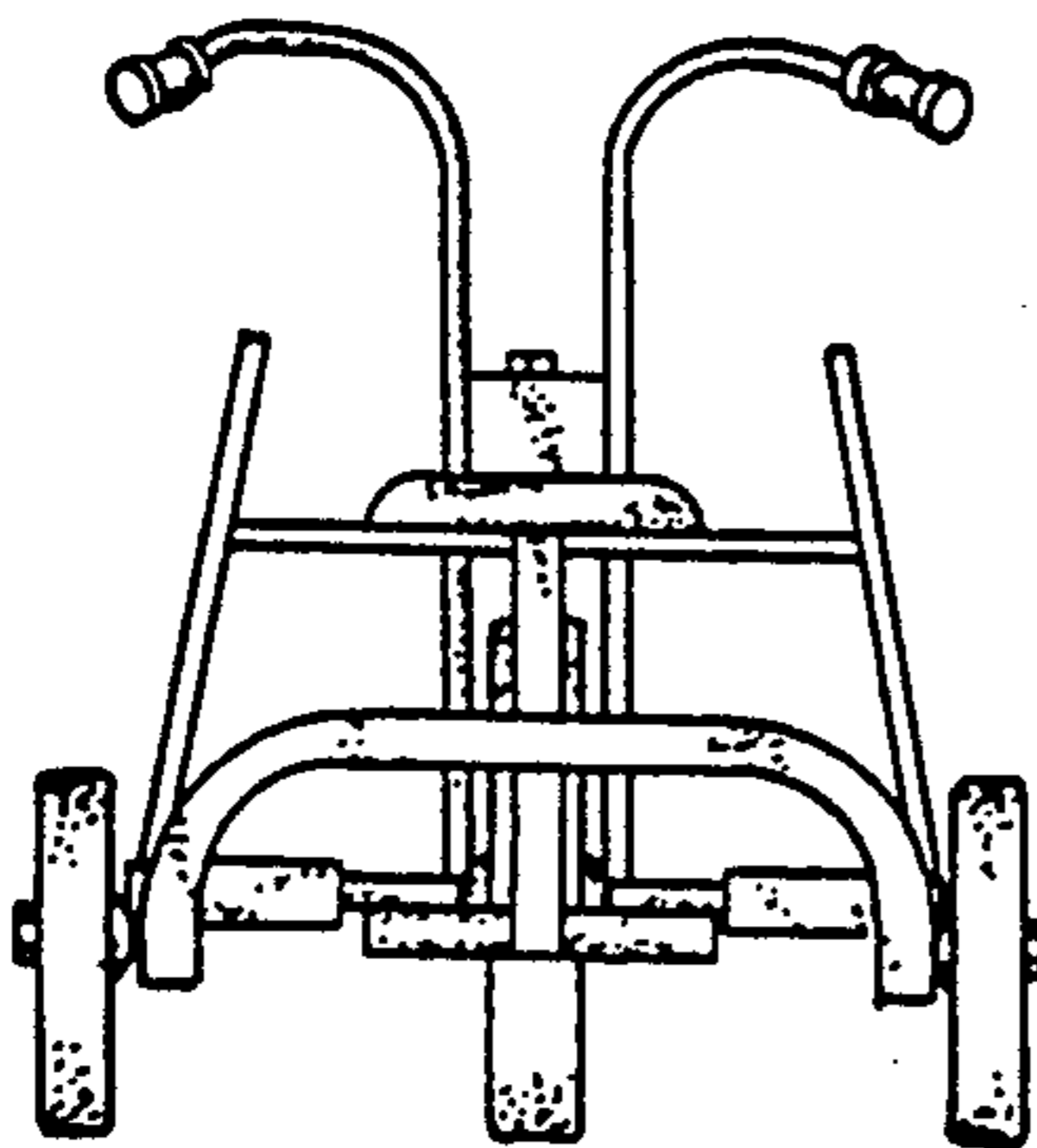


FIG. 4

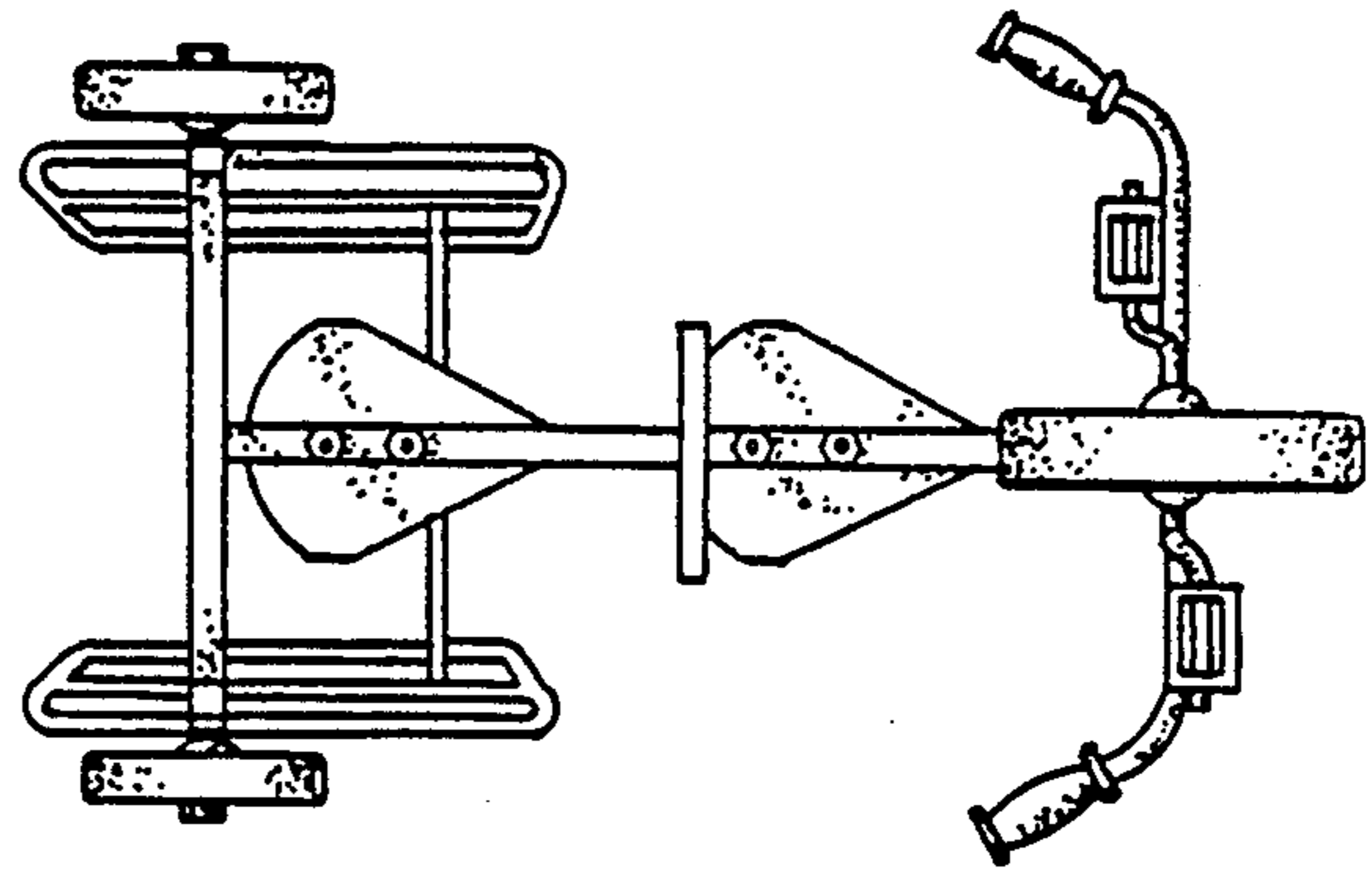


FIG. 5

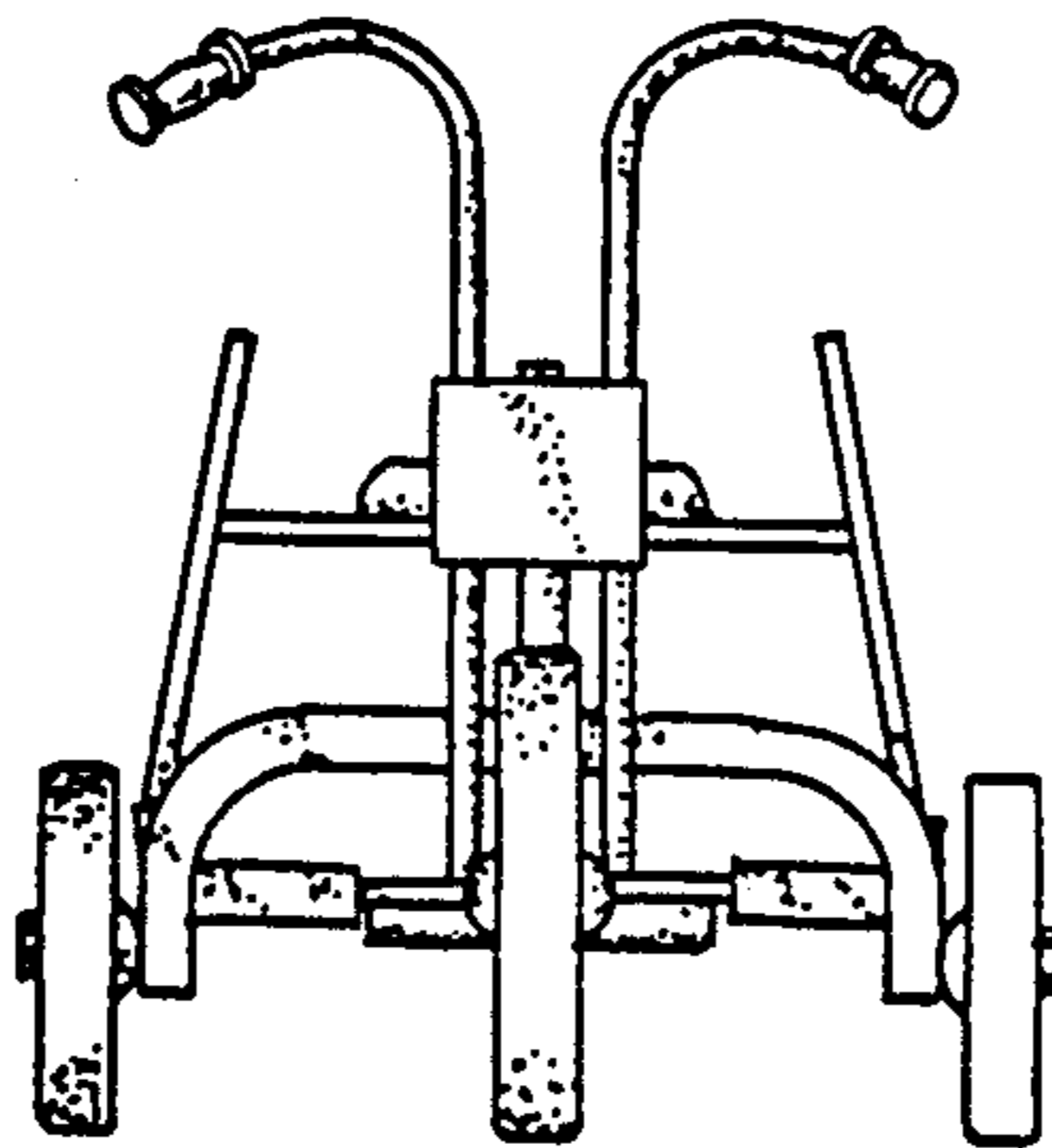


FIG. 6

UNITED STATES PATENT AND TRADEMARK OFFICE  
CERTIFICATE OF CORRECTION

PATENT NO. : Des. 314,547  
DATED : Feb. 12, 1991  
INVENTOR(S) : Ray G. Kelly

It is certified that error appears in the above—identified patent and that said Letters Patent is hereby corrected as shown below:

ON TITLE PAGE Item [73]

Please change name of Assignee from "Angeler" to  
---Angeles---.

Signed and Sealed this  
Fourth Day of August, 1992

*Attest:*

DOUGLAS B. COMER

*Attesting Officer*

*Acting Commissioner of Patents and Trademarks*