

[54] **CAR SPEAKER ENCLOSURE**

[76] **Inventor: Claudio A. Insaurrealde, 461 Poplar Ave., San Bruno, Calif. 94066**  
[\*\*] **Term: 14 Years**  
[21] **Appl. No.: 215,453**  
[22] **Filed: Jul. 5, 1988**  
[52] **U.S. Cl. .... D14/210; D14/213; D14/215**  
[58] **Field of Search ..... D14/204-216, D14/221, 224; 312/7.1; 181/144-145, 148, 152-153, 155, 157, 198-199; 381/24, 86-88, 90, 159; D12/114, 155, 195**

[56] **References Cited**  
**U.S. PATENT DOCUMENTS**

D. 242,853 12/1976 Dixon ..... D12/114  
4,178,473 12/1979 Vermeren ..... 381/86 X  
4,551,849 11/1985 Kasai et al. .... 381/86  
4,582,162 4/1986 Katsuno ..... 181/144 X

**FOREIGN PATENT DOCUMENTS**

2406366 6/1979 France ..... 381/86

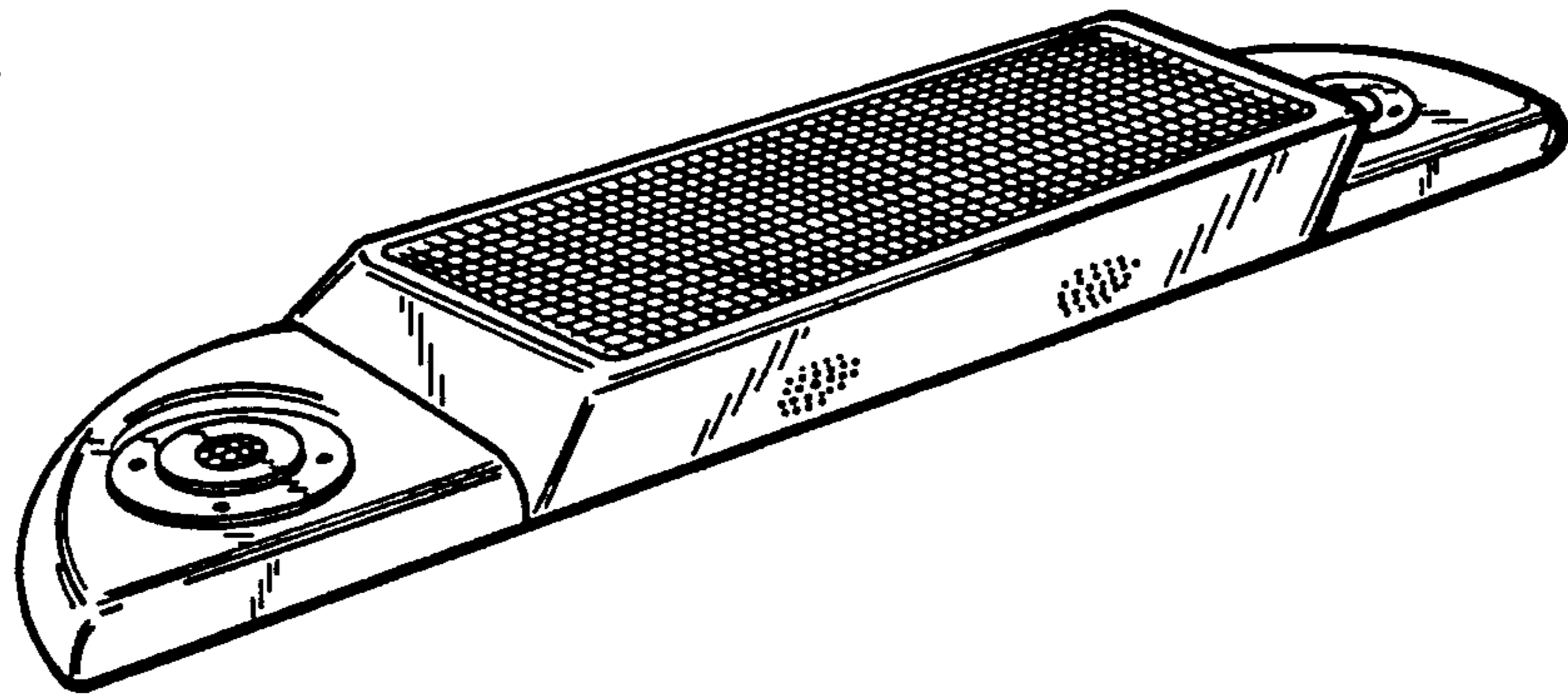
*Primary Examiner*—Theodore M. Shooman  
*Attorney, Agent, or Firm*—White Douglas E.

[57] **CLAIM**

The ornamental design for a car speaker enclosure, as shown and described.

**DESCRIPTION**

FIG. 1 is a top, front and left side perspective view of a car speaker enclosure showing my new design;  
FIG. 2 is a top plan view thereof;  
FIG. 3 is a front elevational view thereof;  
FIG. 4 is a rear elevational view thereof;  
FIG. 5 is a right side elevational view thereof, the left side being a mirror image;  
FIG. 6 is a bottom plan view thereof; and  
FIG. 7 is a top plan view thereof, shown with the grille removed.



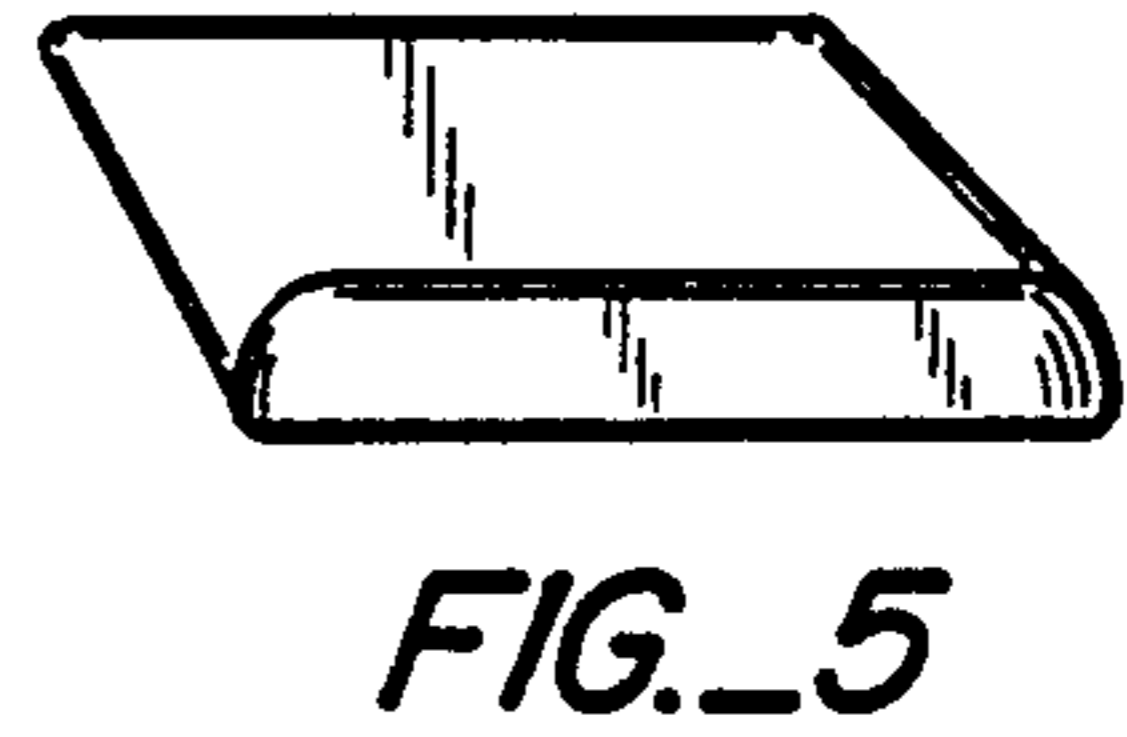
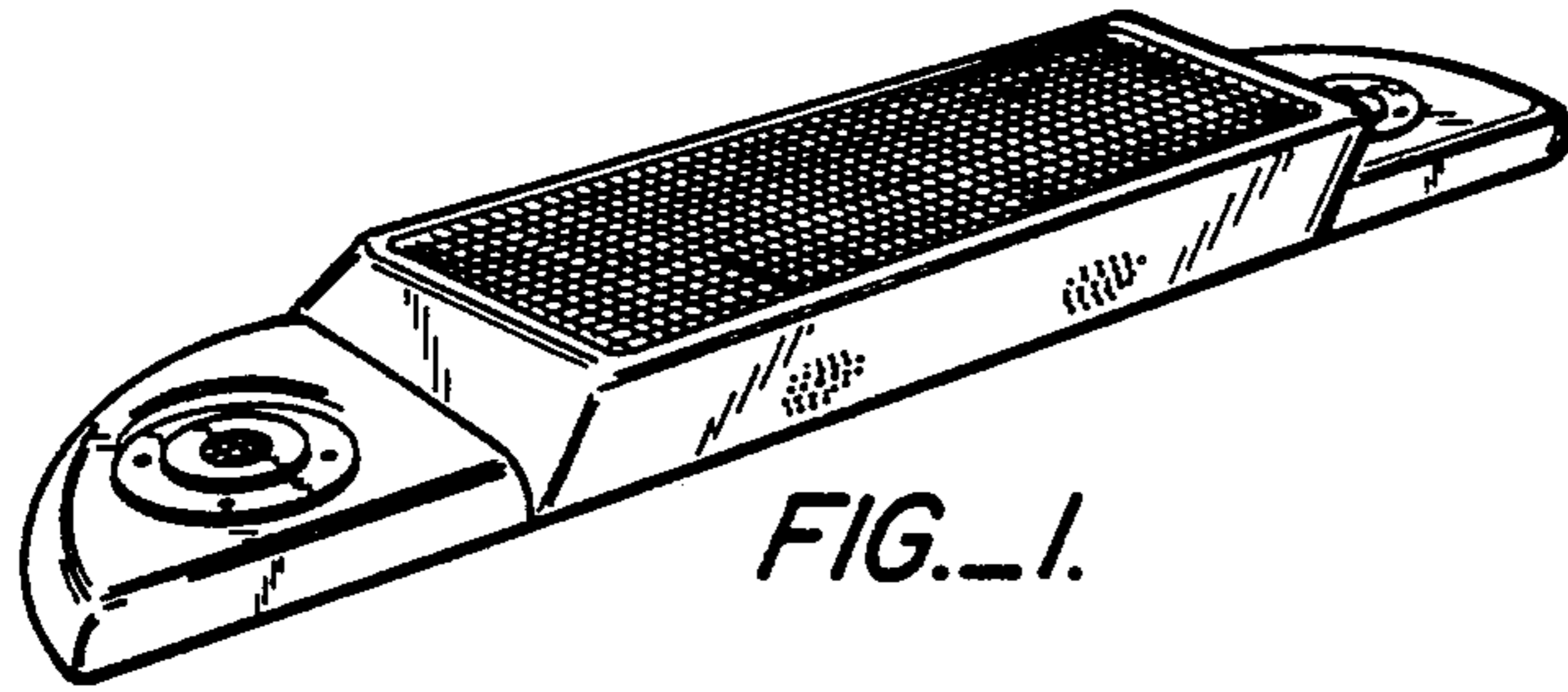


FIG. 2.

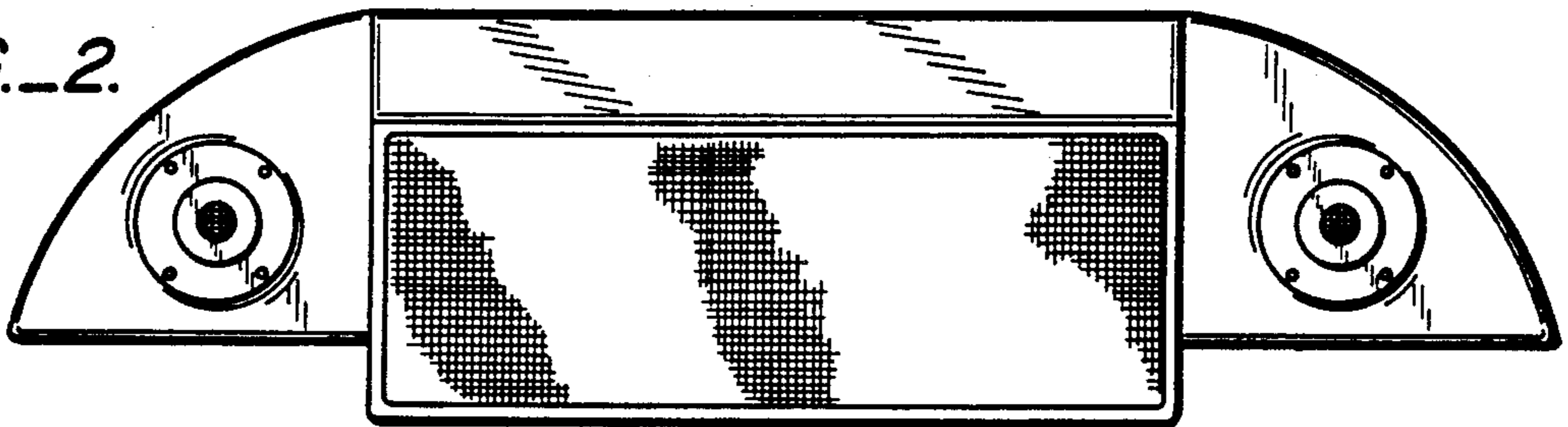


FIG. 3.



FIG. 4.

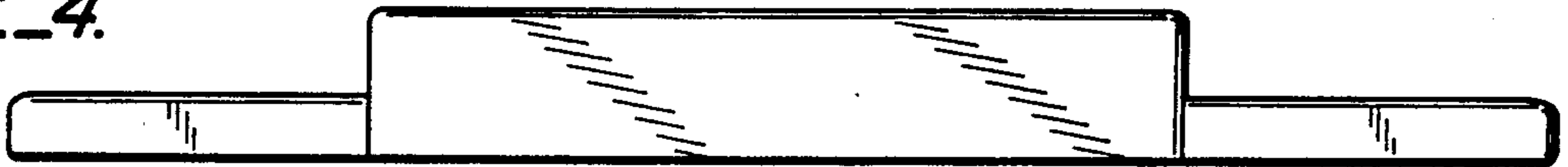


FIG. 7.

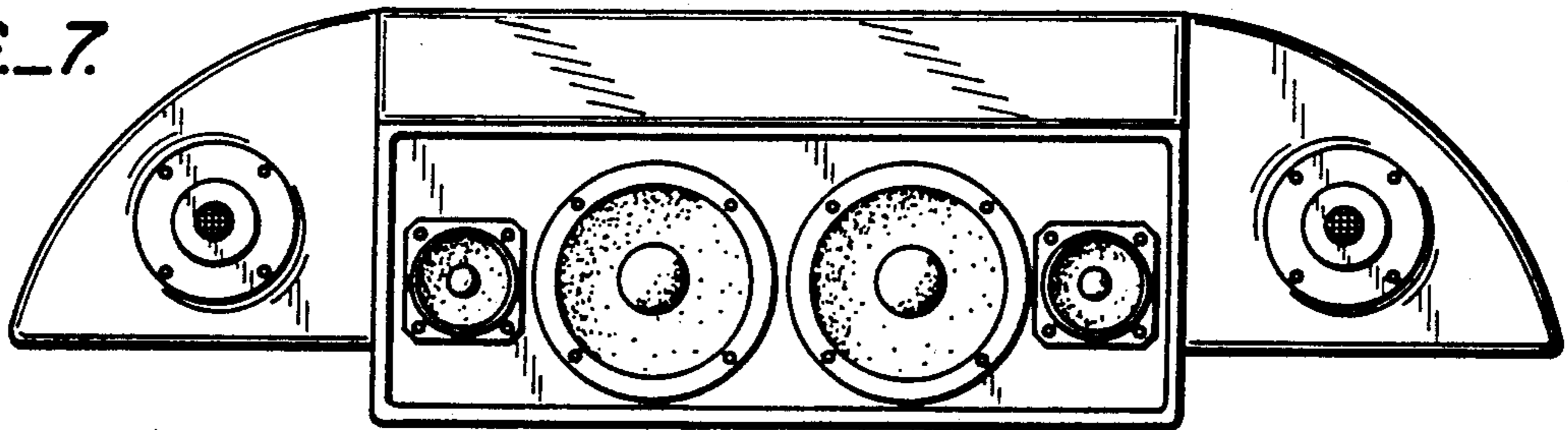


FIG. 6.

