

United States Patent [19]

Huehn et al.

[11] Patent Number: **Des. 314,540**

[45] Date of Patent: **** Feb. 12, 1991**

[54] **MANUAL SUNROOF LATCH HANDLE**

[75] Inventors: **Werner T. Huehn, Milford; D. Mark Trostle, Canton, both of Mich.**

[73] Assignee: **ASC Incorporated, Southgate, Mich.**

[**] Term: **14 Years**

[21] Appl. No.: **128,516**

[22] Filed: **Dec. 3, 1987**

[52] U.S. Cl. **D12/156; D8/306**

[58] Field of Search **D12/155, 156; D8/302, D8/306, 307; 296/216, 218, 221, 222, 223, 224**

[56] **References Cited**

U.S. PATENT DOCUMENTS

D. 291,551 8/1987 Himmelreich D12/156
D. 303,076 8/1989 Castelli et al. D8/306
4,466,658 8/1984 Furst et al. 296/222

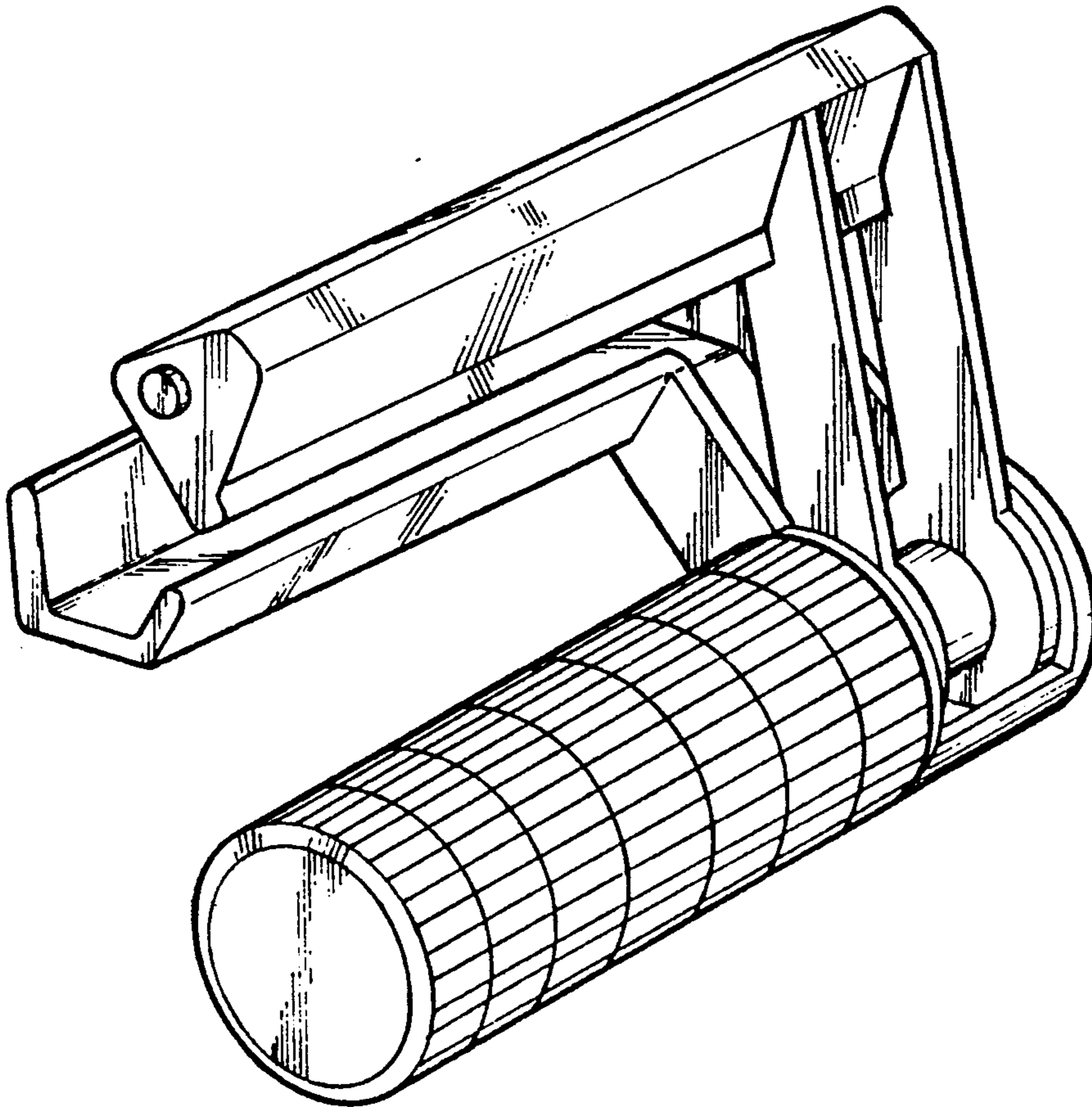
Primary Examiner—James M. Gandy
Attorney, Agent, or Firm—Harness, Dickey & Pierce

[57] **CLAIM**

The ornamental design for a manual sunroof latch, as shown.

DESCRIPTION

FIG. 1 is a perspective view of a manual sunroof latch handle showing our new design;
FIG. 2 is a perspective view thereof of the side and end opposite to that shown in FIG. 1;
FIG. 3 is an end elevation view thereof; and
FIG. 4 is an opposite end elevation view thereof.



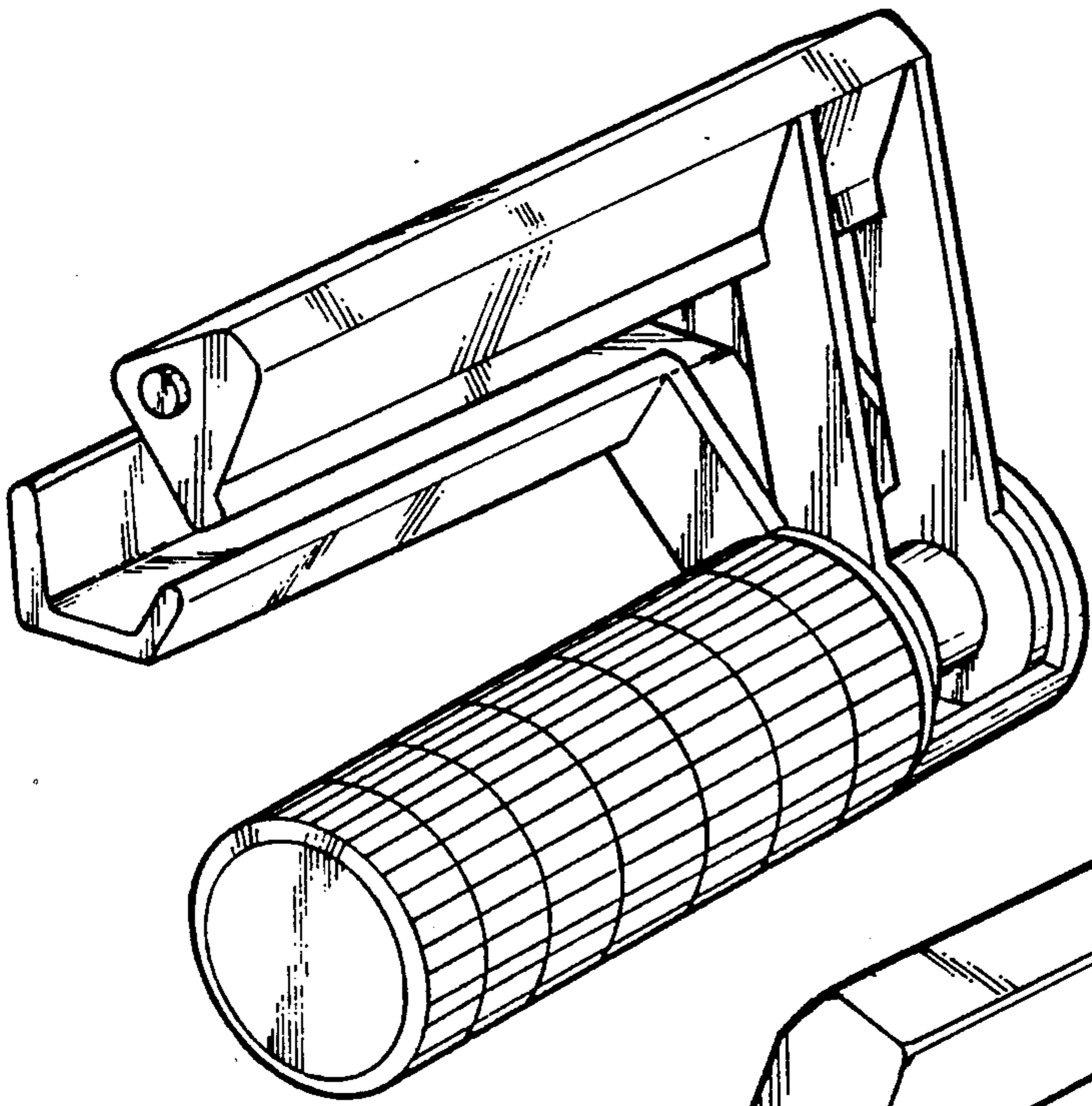


Fig-1

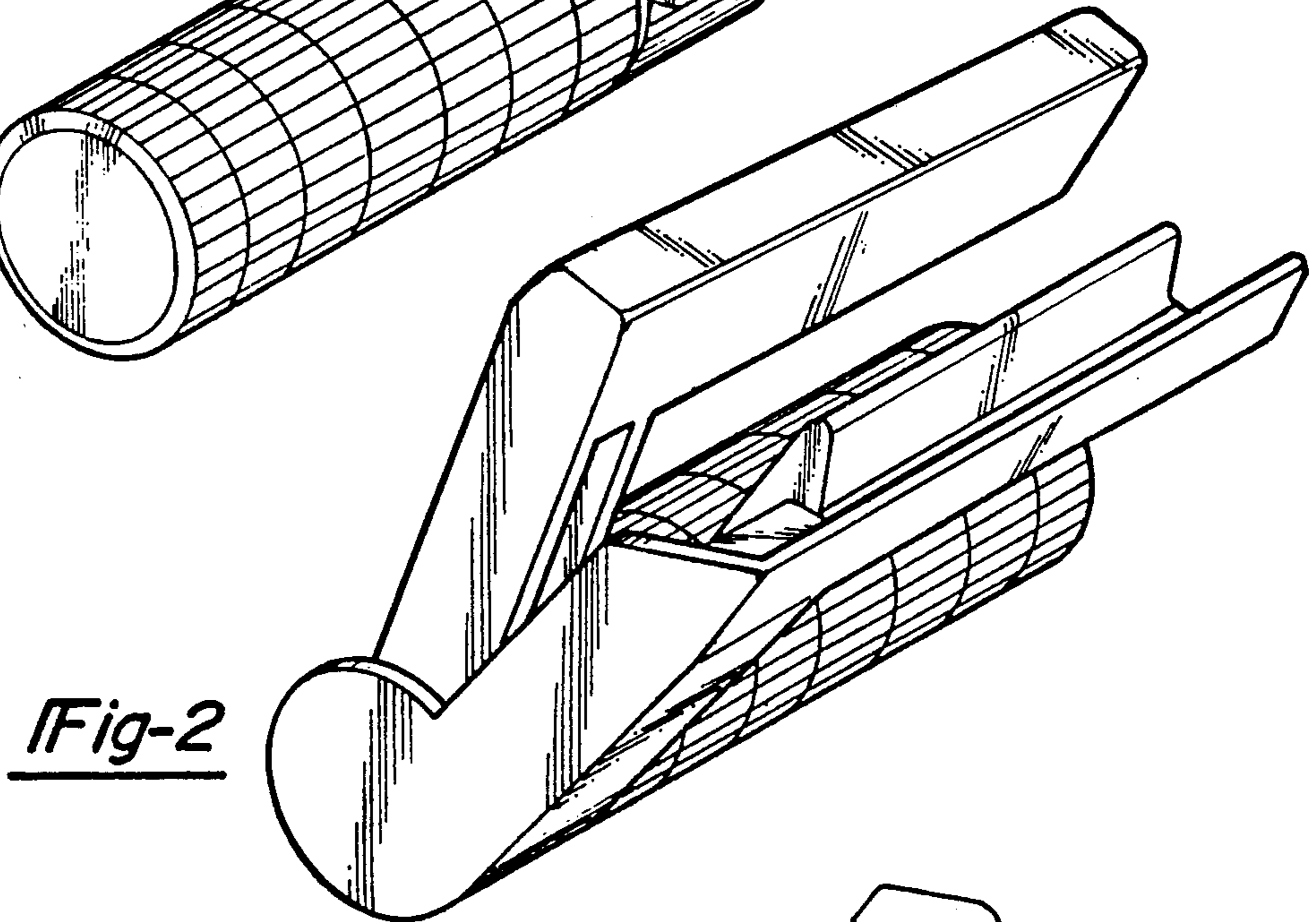


Fig-2

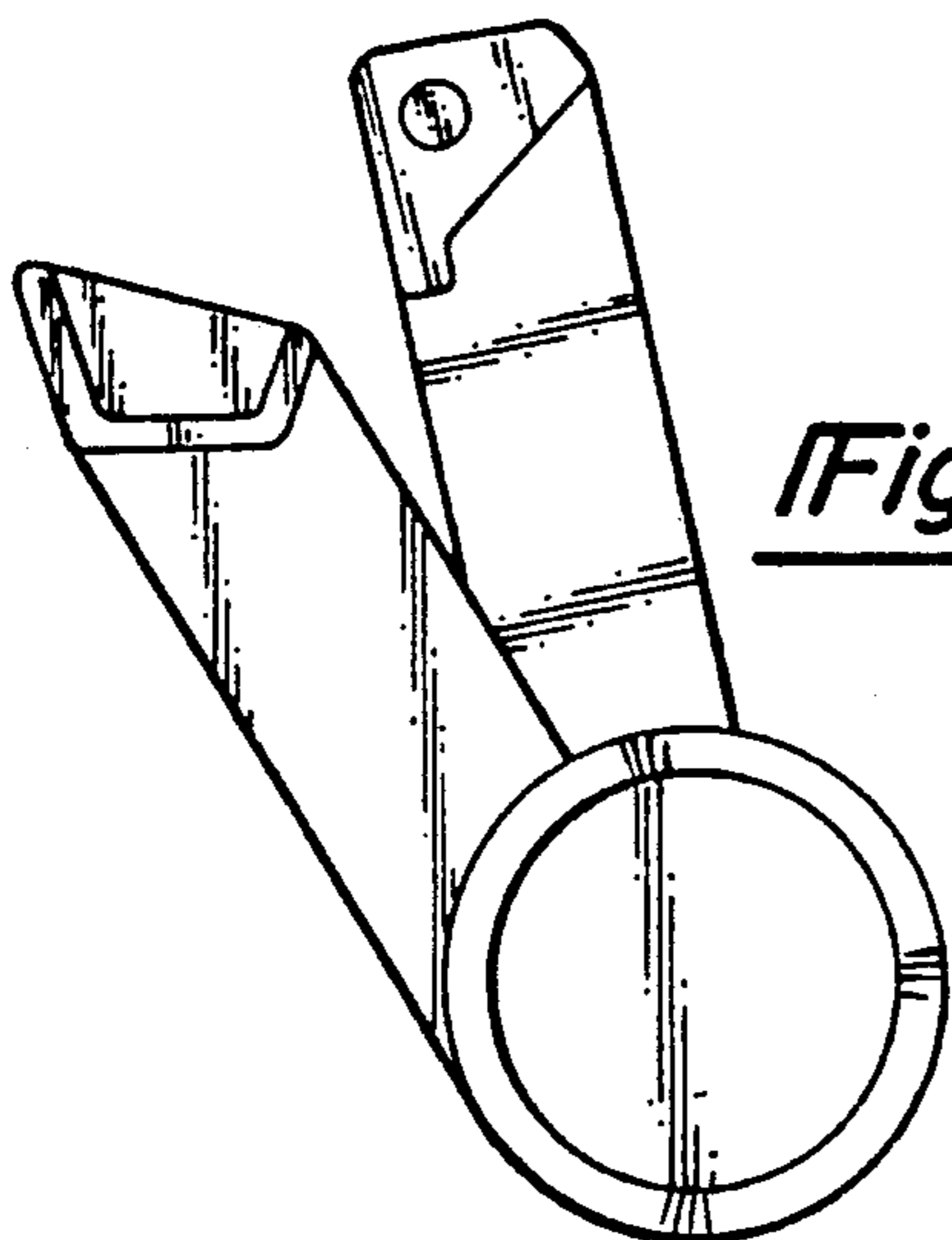


Fig-3

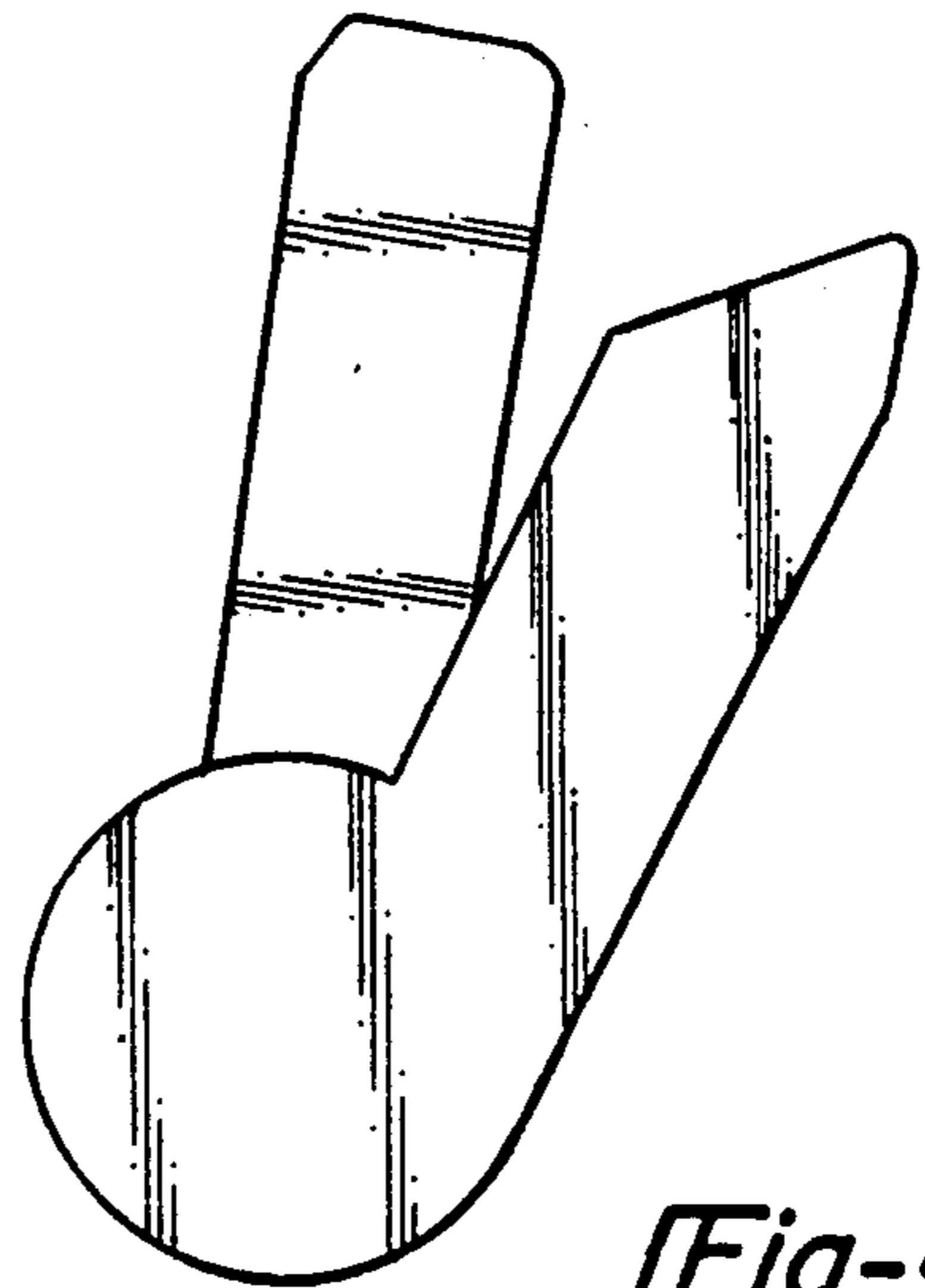


Fig-4