

United States Patent [19]
Eubank

[11] **Patent Number: Des. 314,534**
[45] **Date of Patent: ** Feb. 12, 1991**

[54] **ZIPPER PULL**

[76] **Inventor: Oralei A. Eubank, P.O. Box 2114,
Winter Haven, Fla. 33883**

[**] **Term: 14 Years**

[21] **Appl. No.: 166,611**

[22] **Filed: Mar. 11, 1988**

[52] **U.S. Cl. D11/221**

[58] **Field of Search D11/221; 223/111;
24/500, 415, 530-532, 570; D32/65**

[56] **References Cited**

U.S. PATENT DOCUMENTS

30,186 2/1899 Lunt D32/65
2,083,885 6/1937 Wheeler 24/570

2,515,557 7/1950 Haswell 223/111
2,579,207 12/1951 Scheib 24/415

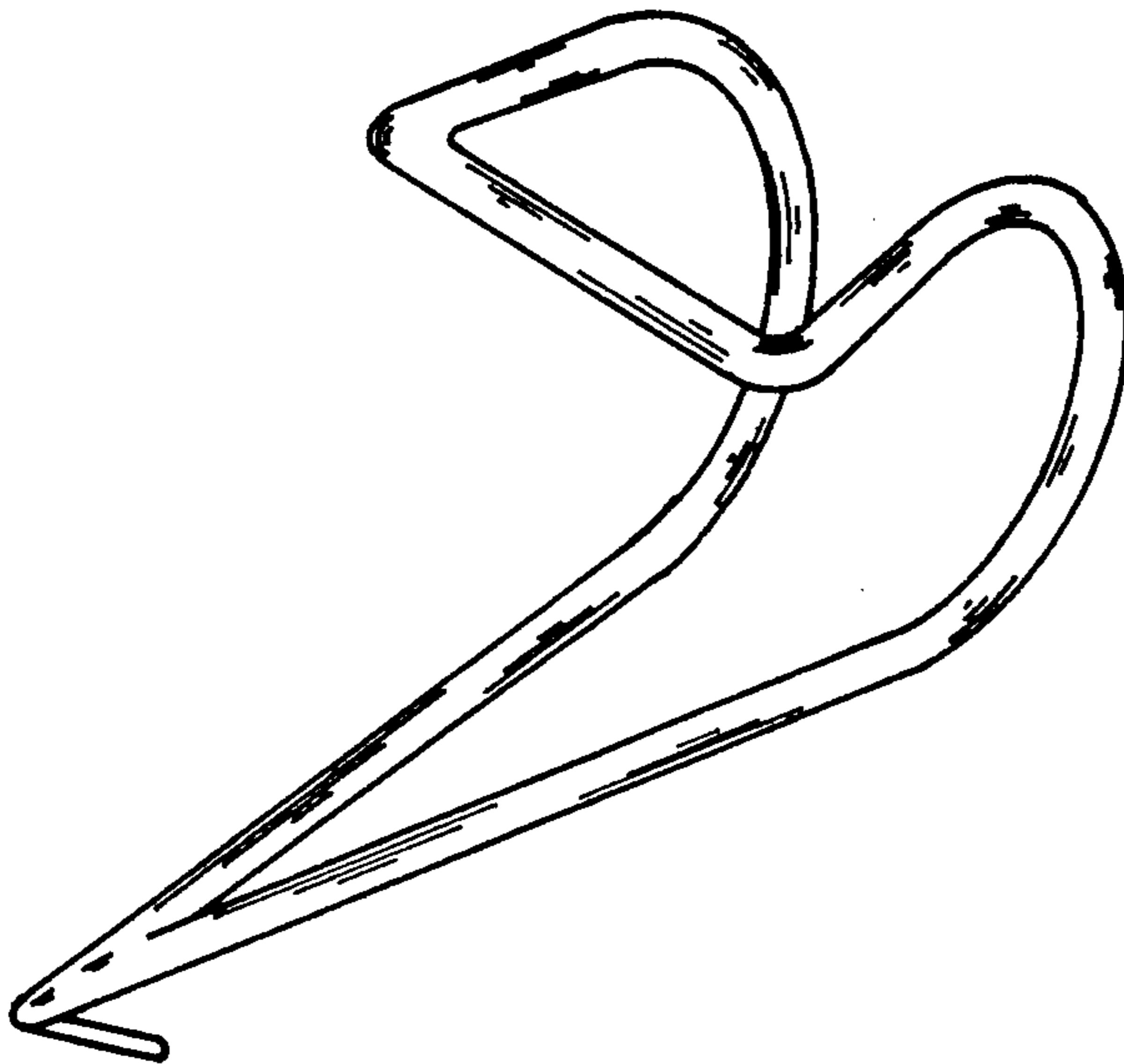
Primary Examiner—Louis S. Zarfes
Assistant Examiner—R. T. Seifert
Attorney, Agent, or Firm—Pettis & McDonald

[57] **CLAIM**

The ornamental design for a zipper pull, as shown.

DESCRIPTION

FIG. 1 is a side elevational view of a zipper pull showing my new design;
FIG. 2 is a top plan view thereof;
FIG. 3 is a bottom plan view thereof;
FIG. 4 is a front elevational view thereof;
FIG. 5 is a rear elevational view thereof; and
FIG. 6 is an upper front perspective view thereof.



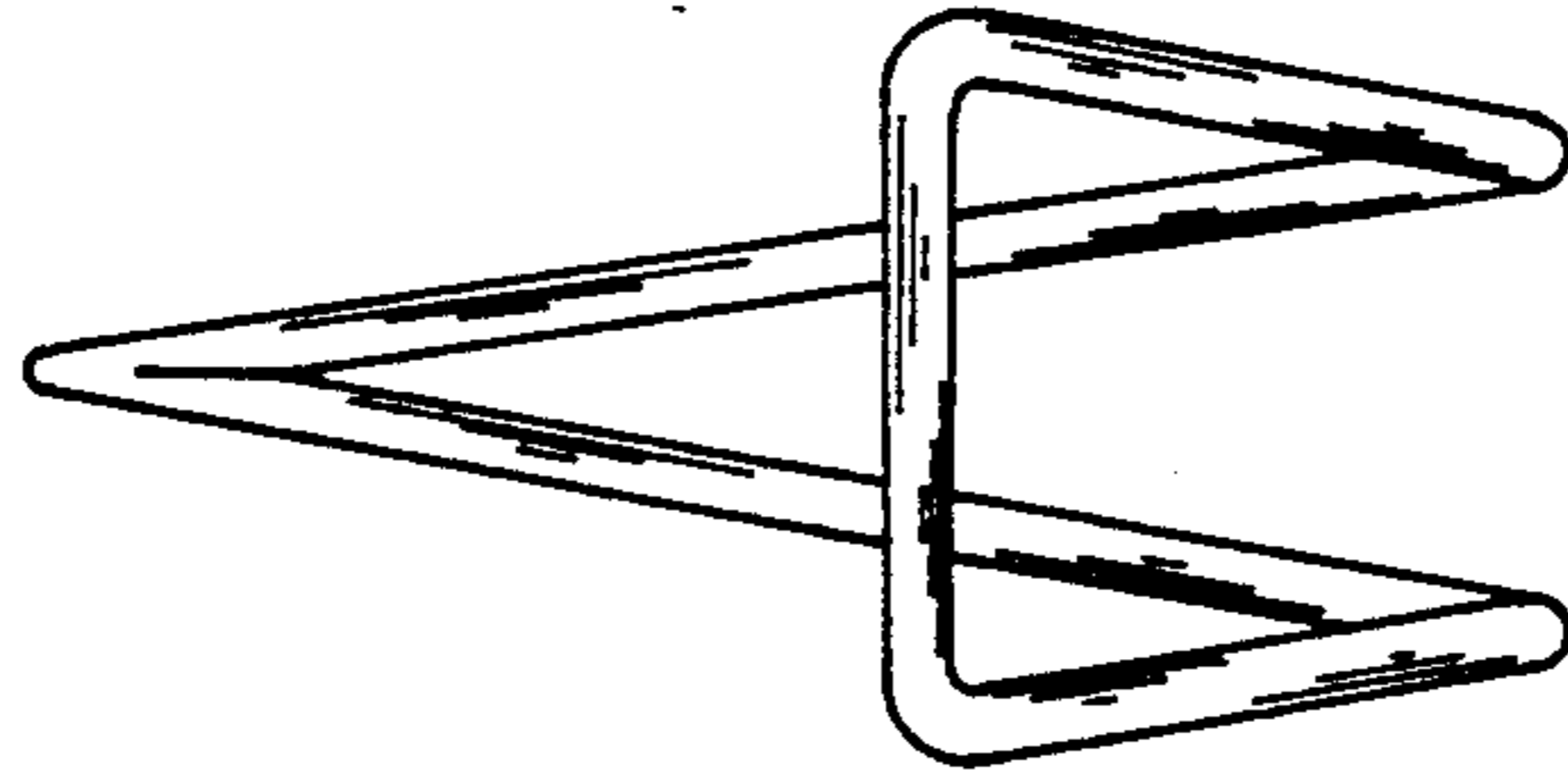


FIG. 2

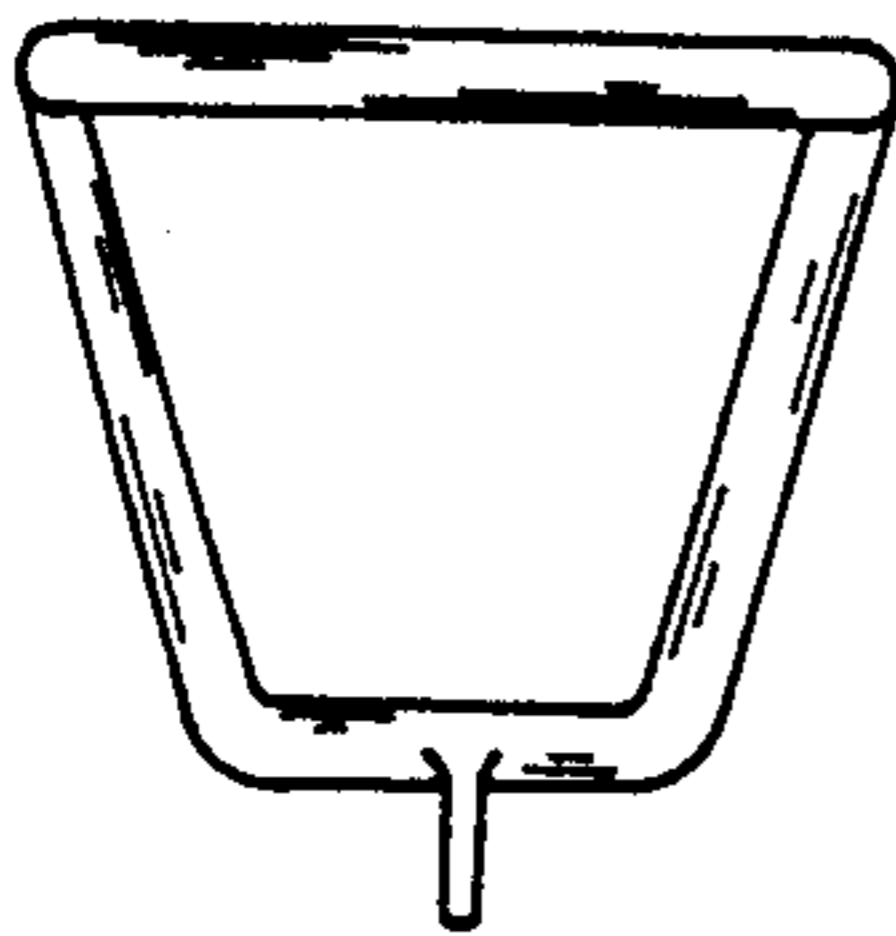


FIG. 4

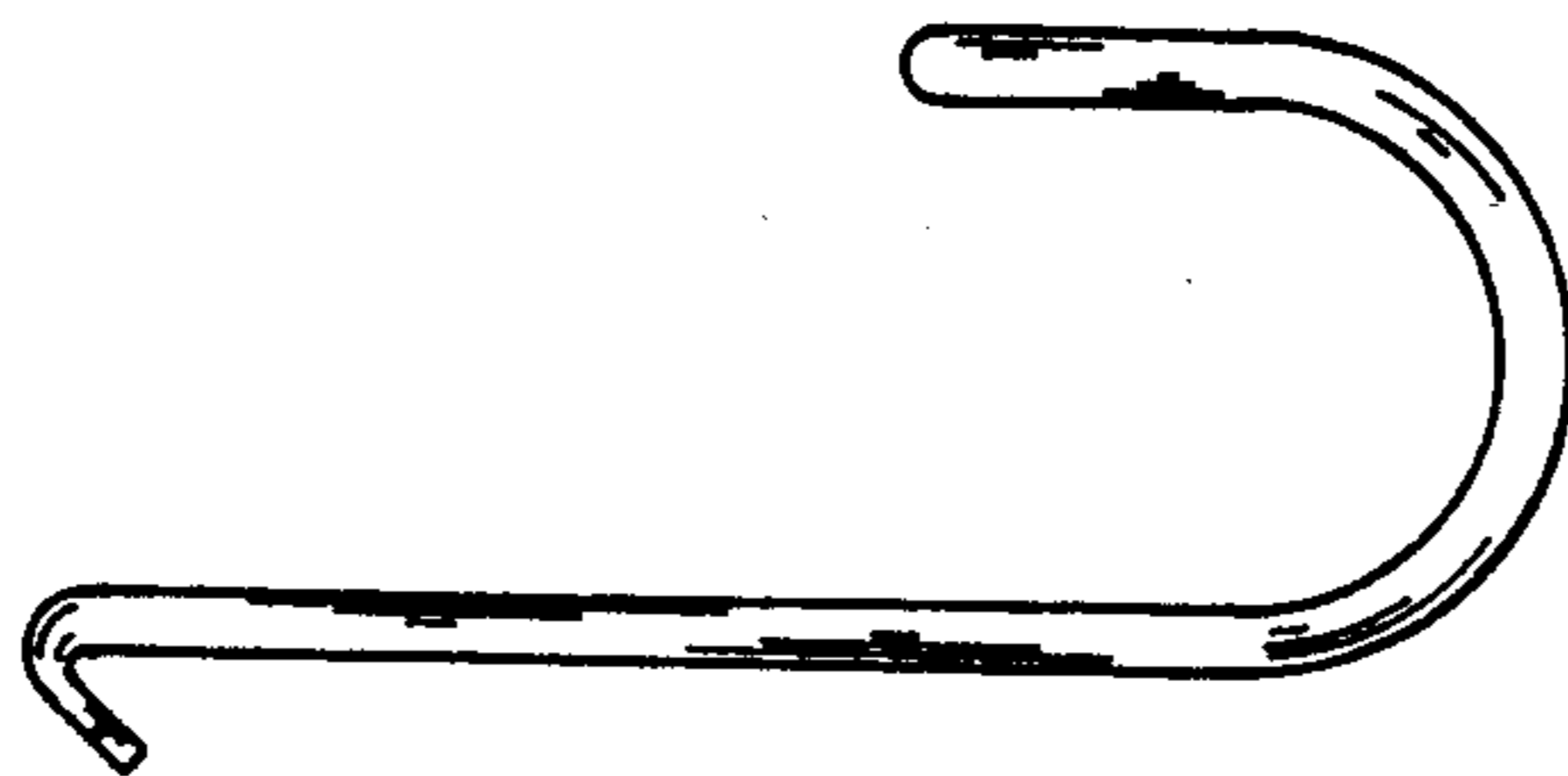


FIG. 1

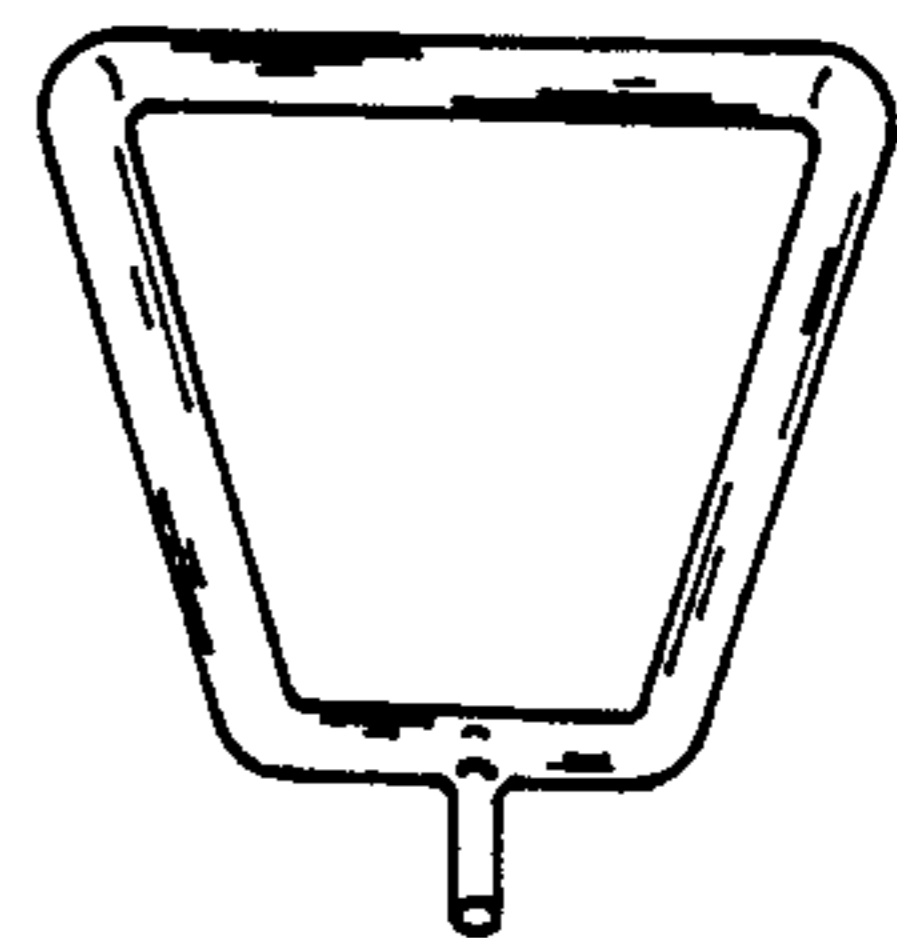


FIG. 5

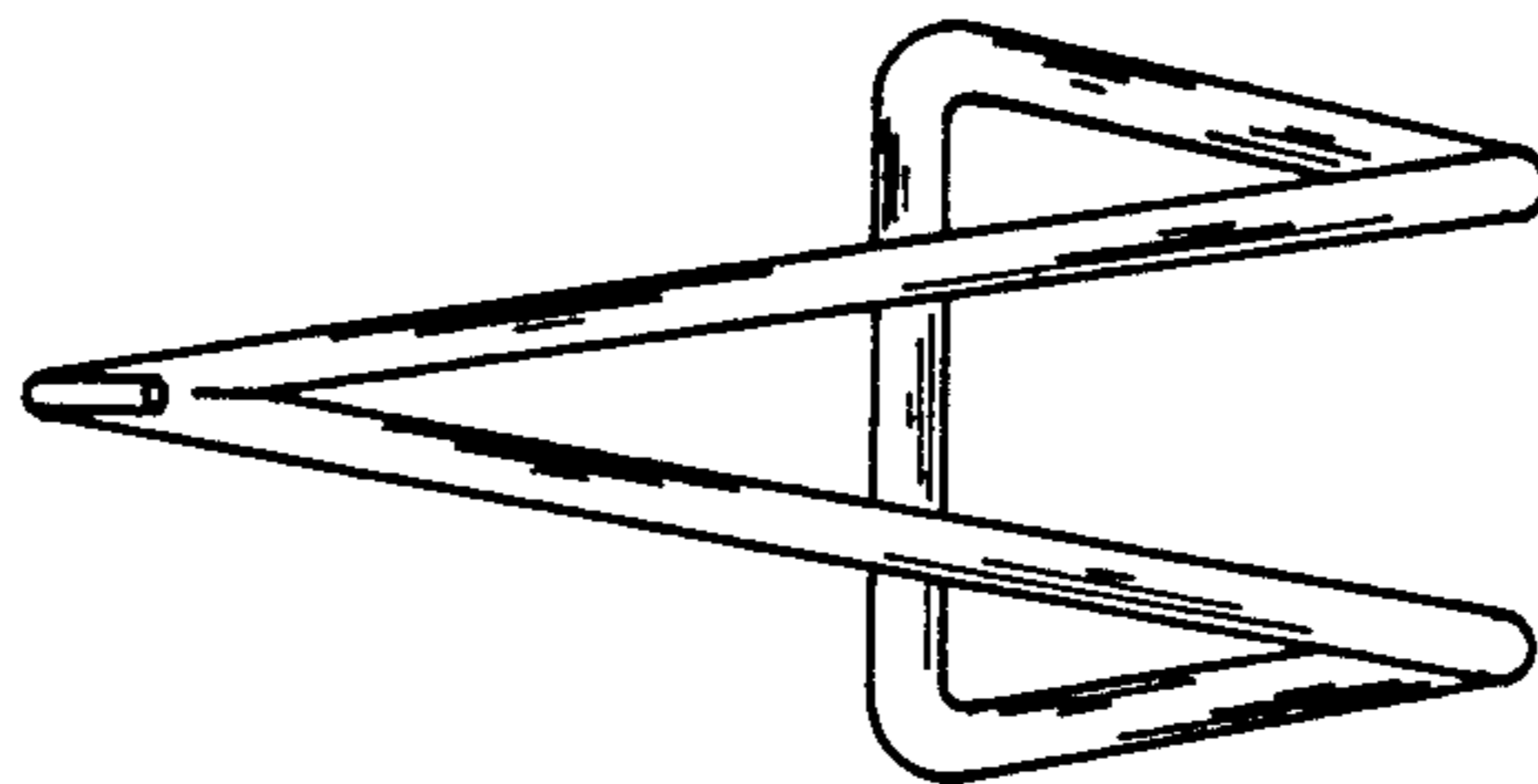


FIG. 3

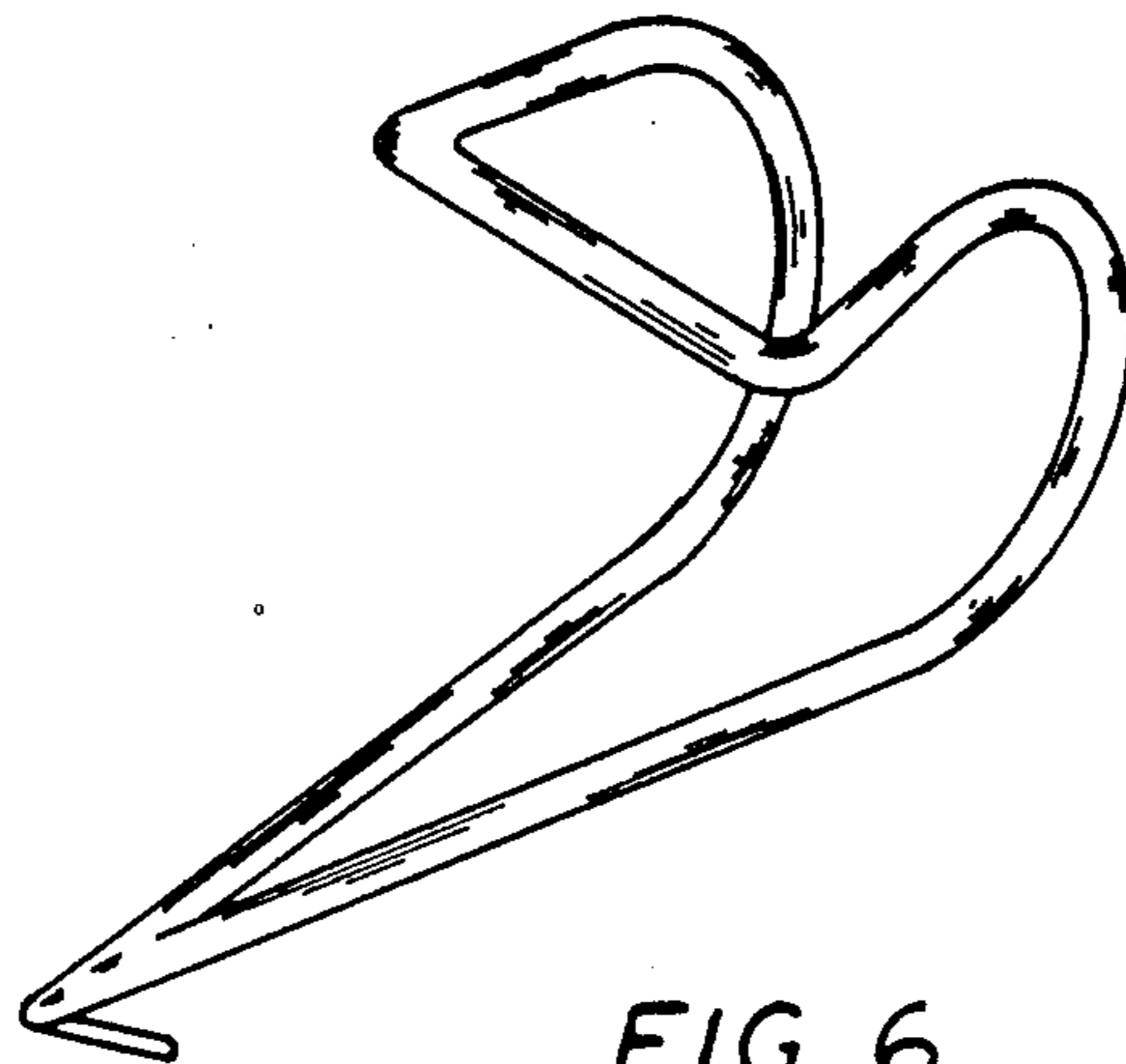


FIG. 6