

[54] JACK STONE PENDANT

[75] Inventor: Jeffery A. Alward, Chicago, Ill.

[73] Assignee: Strombecker Corporation, Chicago, Ill.

[**] Term: 14 Years

[21] Appl. No.: 154,873

[22] Filed: Feb. 11, 1988

[52] U.S. Cl. D11/2; D11/76; D21/51

[58] Field of Search D11/2, 79-80, D11/83, 76; 63/1.1-2, 20, 23; D21/51; D7/501; 273/288, 166

[56] References Cited

U.S. PATENT DOCUMENTS

D. 70,800	9/1990	McDonald	D21/51
D. 210,896	4/1968	Heck	D7/501
D. 245,680	9/1977	Klitzner	D11/83
2,719,413	10/1955	Panzer	D7/501

Primary Examiner—Louis S. Zarfaz
Assistant Examiner—R. T. Seifert
Attorney, Agent, or Firm—Allegretti & Witcoff, Ltd.

[57] CLAIM

The ornamental design of a jack stone pendant, as shown and described.

DESCRIPTION

FIG. 1 is a perspective view of a jack stone pendant showing my new design, the broken line showing a neck cord being for illustrative purposes only and forming no part of the claimed design;
FIG. 2 is a perspective view, shown in the open position;
FIG. 3 is a top plan view;
FIG. 4 is a front elevational view;
FIG. 5 is a right side elevational view;
FIG. 6 is a rear elevational;
FIG. 7 is a left side elevational view;
FIG. 8 is a bottom plan view; and
FIG. 9 is a cross sectional view taken along lines 9—9 of FIG. 4.

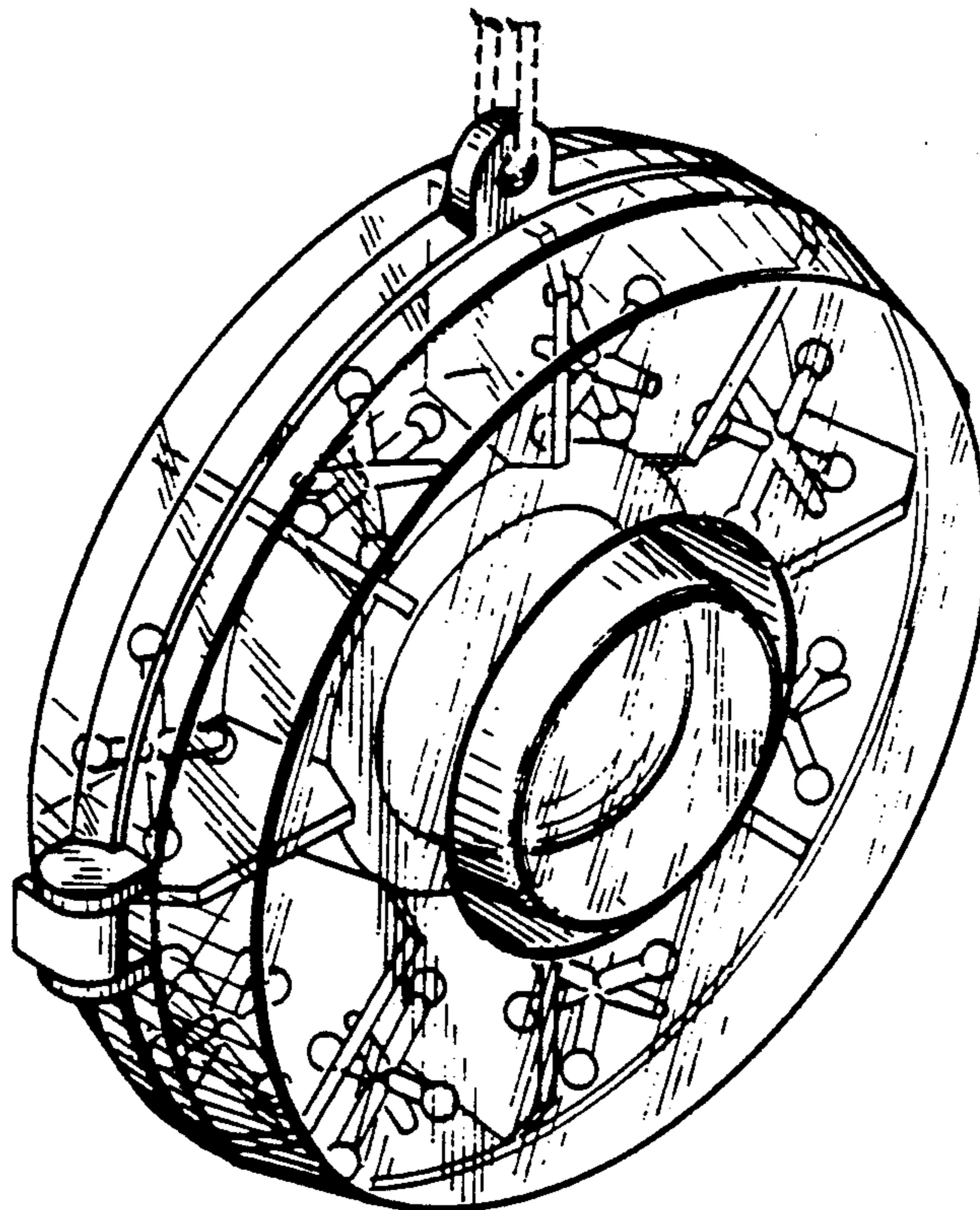


Fig. 1

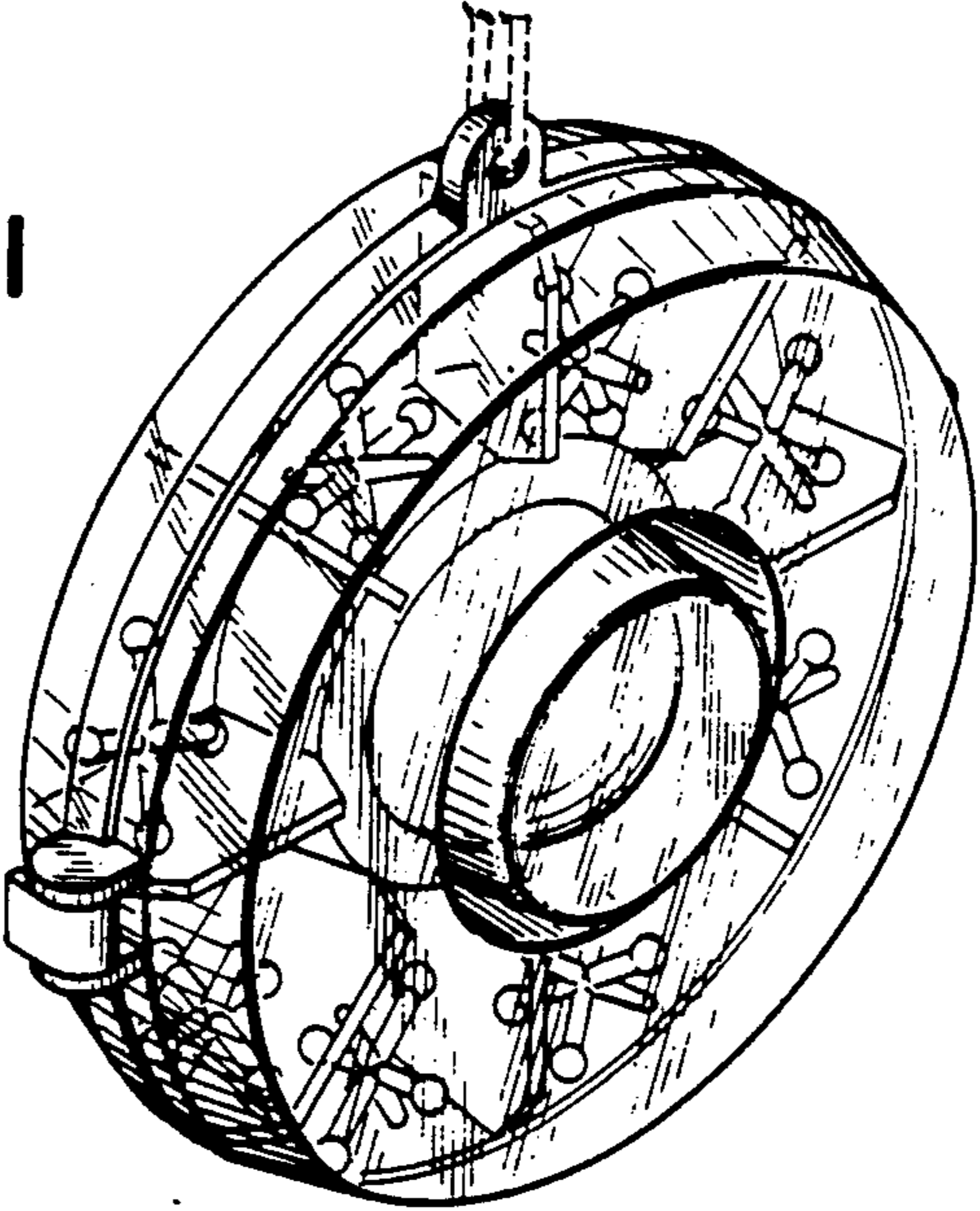


Fig. 2

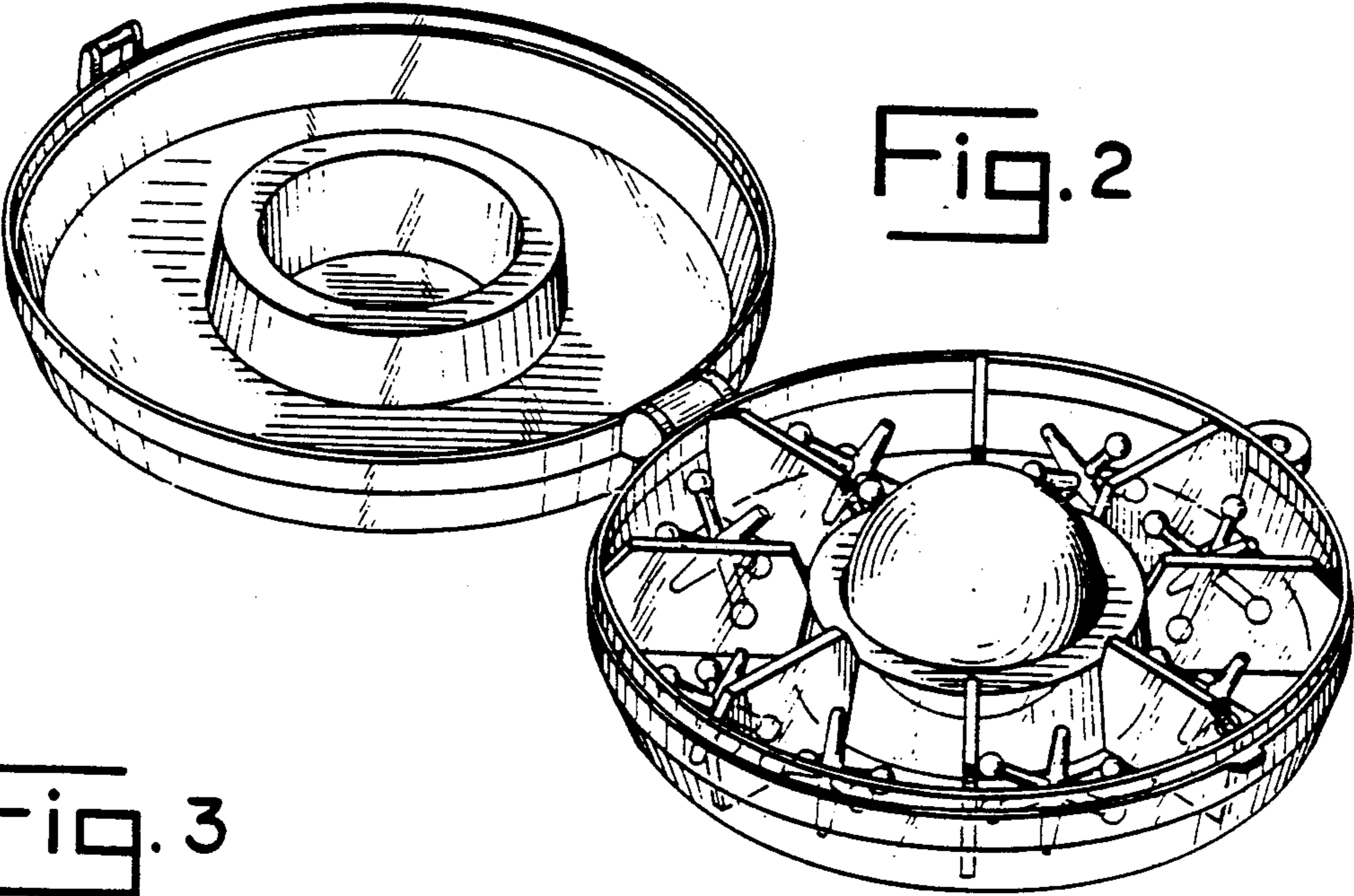


Fig. 3

